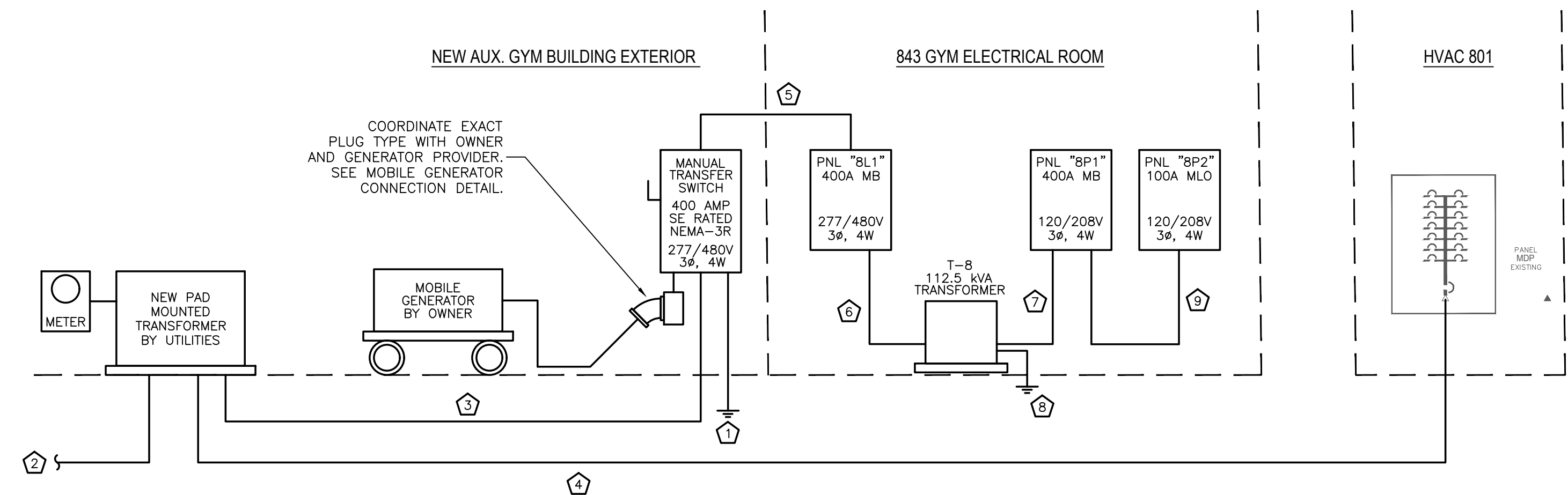


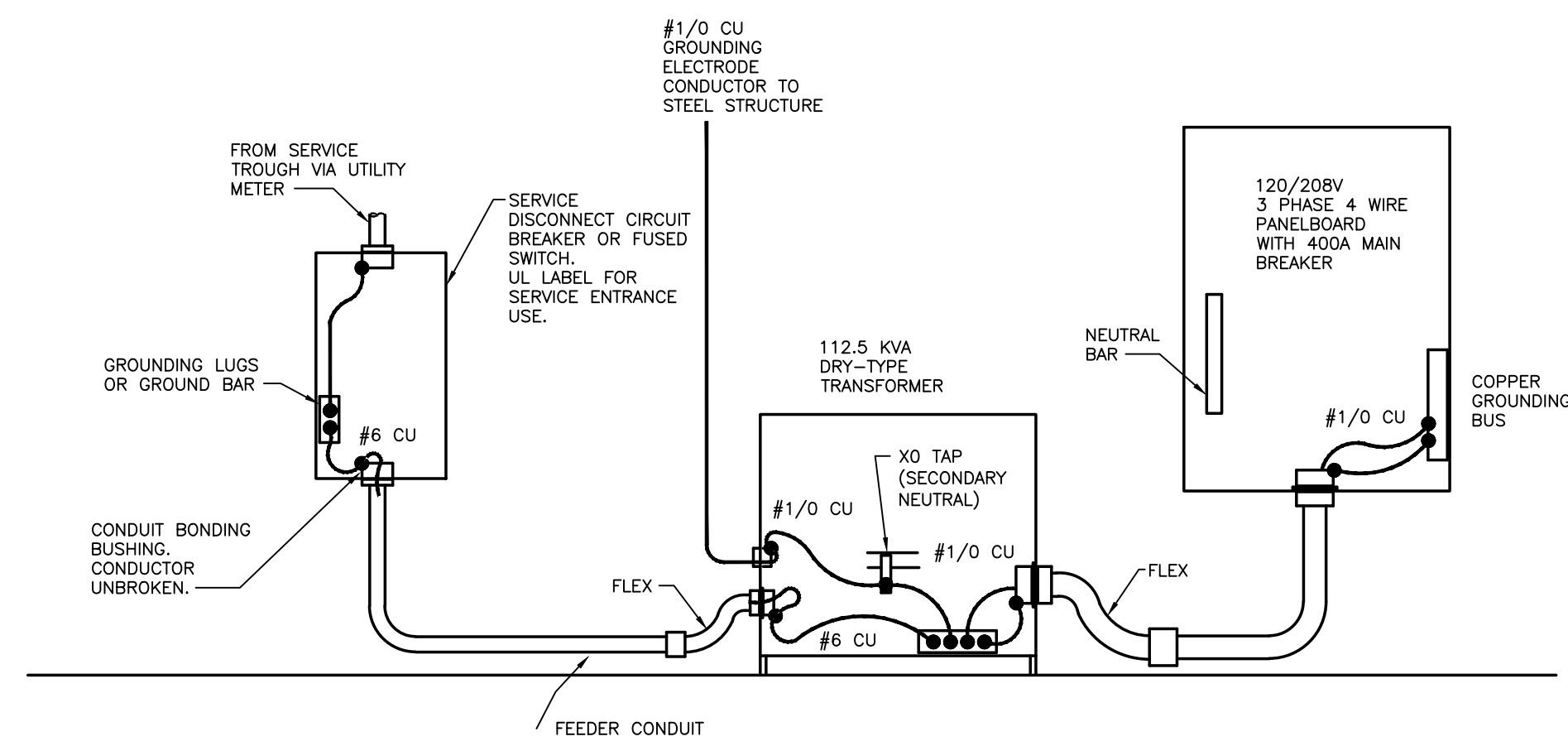
NOTE:
 1. THIS DRAWING ONLY SHOWS GROUNDING ELECTRODE CONDUCTORS AND BONDING JUMPERS. ALL CONDUITS SHALL ALSO HAVE EQUIPMENT GROUNDING CONDUCTORS SIZED PER NEC AND DRAWINGS.
 2. BONDING OF GAS PIPE IS TO EQUALIZE POTENTIAL OF GAS PIPE ONLY. AS REQ'D BY N.E.C. & VOLUME VI OF N.C.B.C.

400A SERVICE ENTRANCE GROUNDING DETAIL
 SCALE: N.T.S.

- GYM ELECTRICAL RISER NOTES:**
- Ⓐ SERVICE ENTRANCE GROUND PER DETAIL AND NEC ARTICLE 250 GROUNDING REQUIREMENTS.
 - Ⓑ COORDINATE UNDERGROUND SERVICE WITH UTILITY CO. PROVIDE ALL CONDUIT, WIRING, LABOR, AND/OR OTHER WORK AS REQUIRED BY UTILITY CO.
 - Ⓒ (2 SETS) 4-#250 KCMIL IN 2.5°C
 - Ⓓ (6 SETS) 4-#400 KCMIL IN 3°C. BACK FEED TO EXISTING 2000 AMP SERVICE IN ROOM "HVAC 801". SEE SHEET E003 FOR APPROXIMATE ROUTING. APPROXIMATE LENGTH IS 175'. CONTRACTOR SHALL FIELD VERIFY.
 - Ⓔ (2 SETS) 4-#250 KCMIL & 1-#36 IN 2.5°C.
 - Ⓕ 3-#2/0 & 1-#6G. IN 2°C
 - Ⓖ (2 SETS) 4-#250 KCMIL & 1-#1/0G IN 2.5°C
 - Ⓗ GROUND PER TRANSFORMER GROUNDING DETAIL AND NEC ARTICLE 250 GROUNDING REQUIREMENTS.
 - Ⓙ 4-#1 & 1-#8G IN 1.5°C.

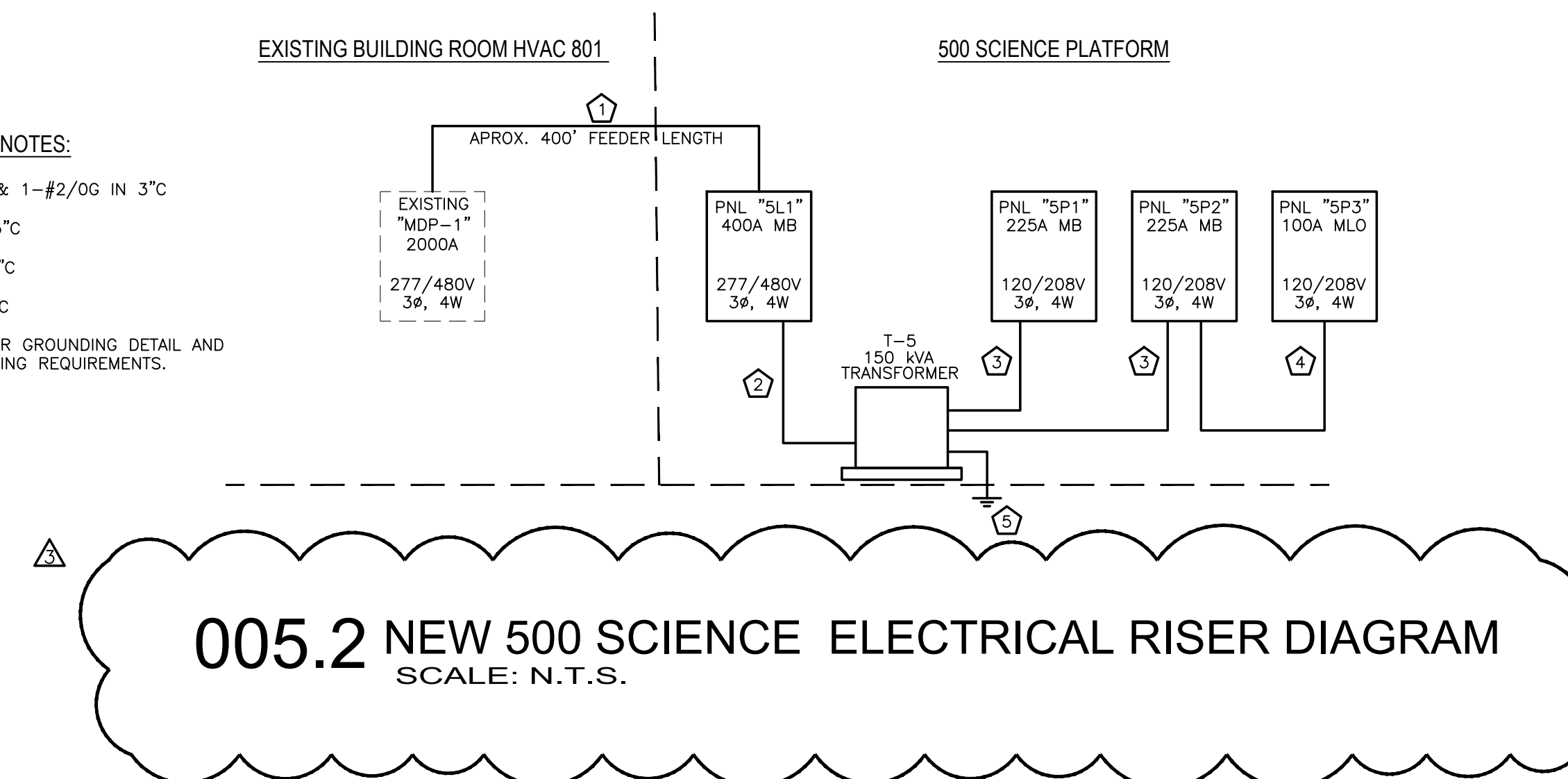


005.1 NEW 500 GYM ELECTRICAL RISER DIAGRAM
 SCALE: N.T.S.



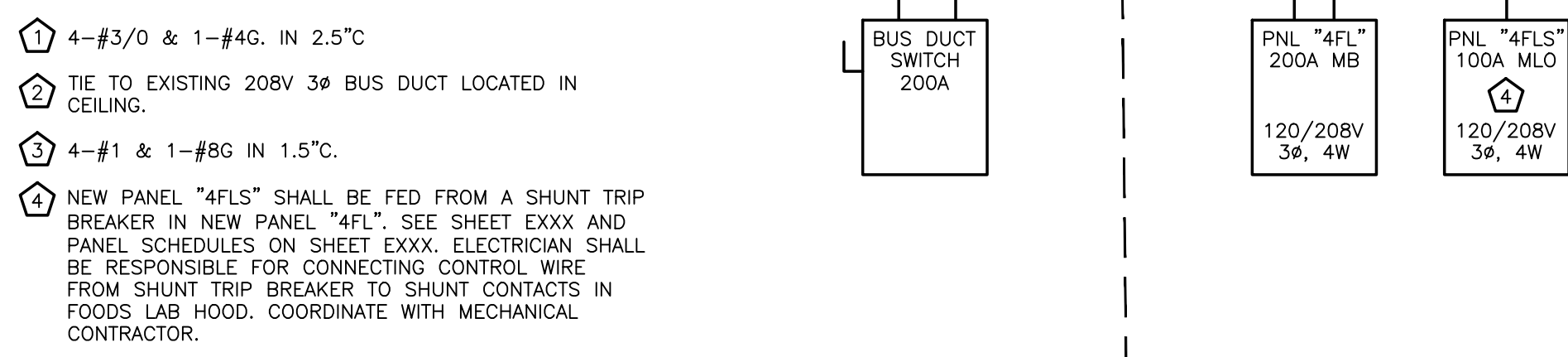
005.5 112.5 KVA TRANSFORMER GROUNDING DIAGRAM
 SCALE: N.T.S.

- SCIENCE ELECTRICAL RISER NOTES:**
- Ⓐ (2 SETS) 4-#300 KCMIL & 1-#2/0G IN 3°C
 - Ⓑ 4-#4/0 & 1-#4G. IN 2.5°C
 - Ⓒ 4-#4/0 & 1-#2G IN 2.5°C
 - Ⓓ 4-#3 & 1-#8G. IN 1.25°C
 - Ⓔ GROUND PER TRANSFORMER GROUNDING DETAIL AND NEC ARTICLE 250 GROUNDING REQUIREMENTS.

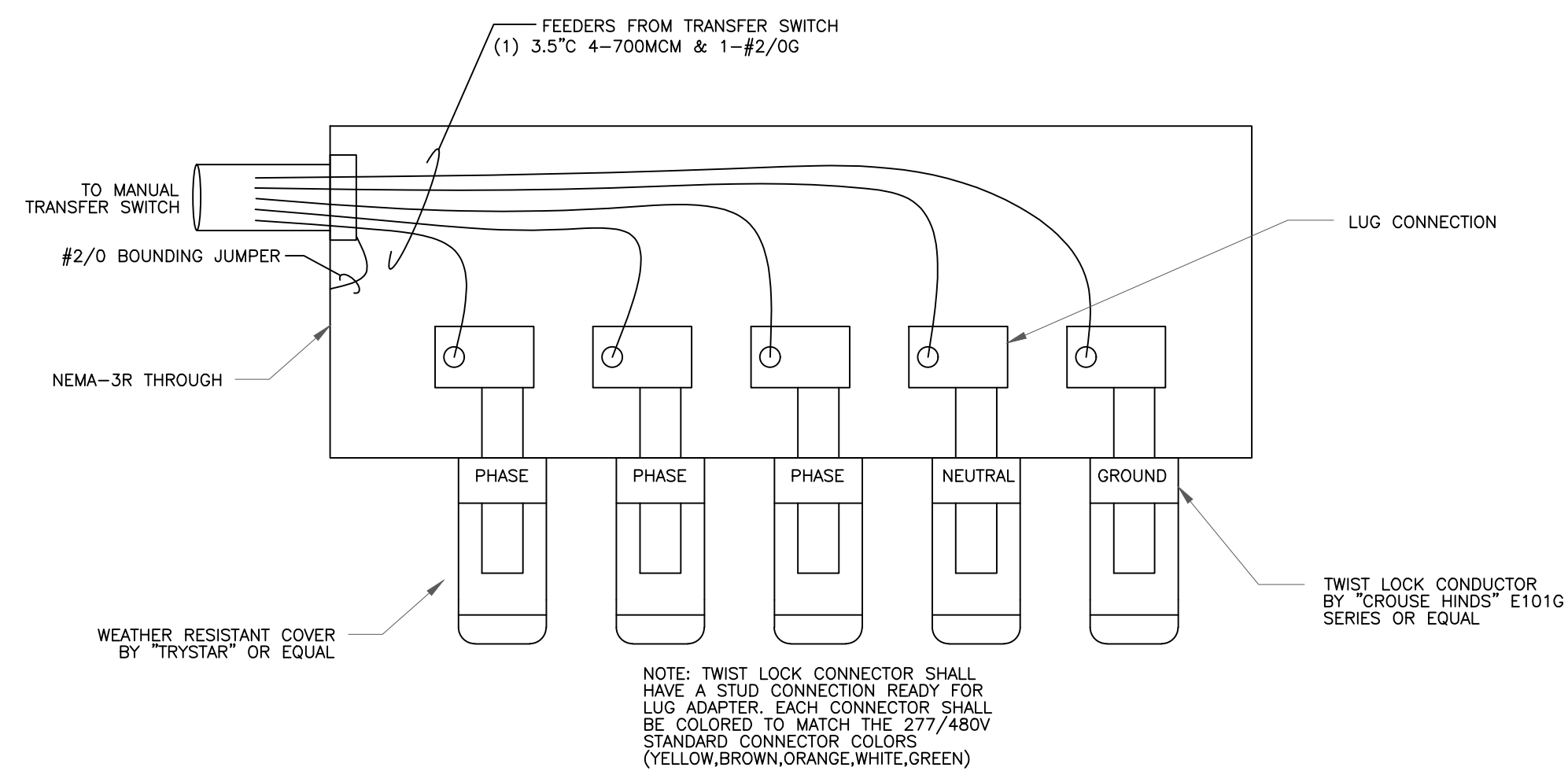


005.2 NEW 500 SCIENCE ELECTRICAL RISER DIAGRAM
 SCALE: N.T.S.

- SCIENCE ELECTRICAL RISER NOTES:**
- Ⓐ 4-#3/0 & 1-#4G. IN 2.5°C
 - Ⓑ TIE TO EXISTING 208V 3φ BUS DUCT LOCATED IN CEILING.
 - Ⓒ 4-#1 & 1-#8G IN 1.5°C.

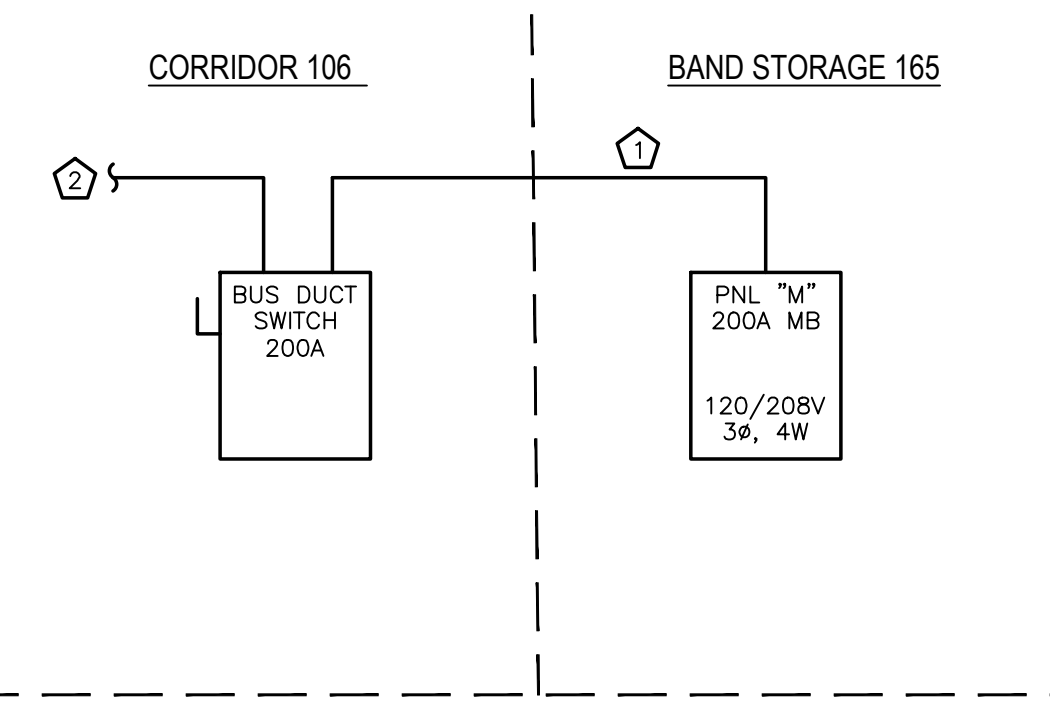


005.6 400 WING FOOD LAB ELECTRICAL RISER DIAGRAM
 SCALE: N.T.S.



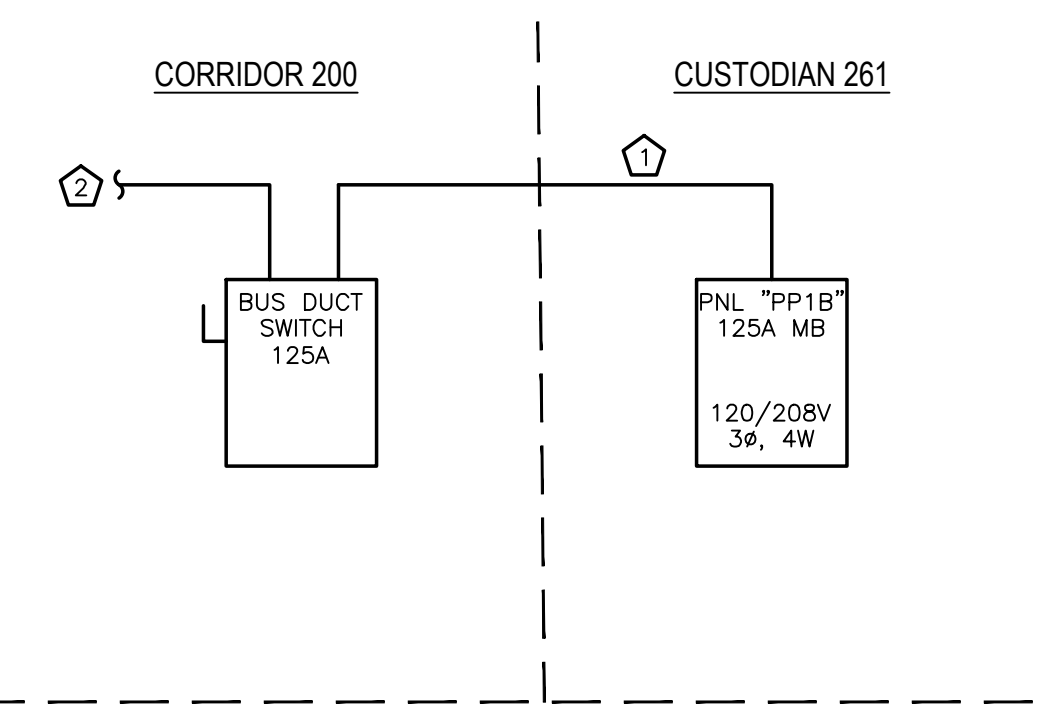
005.7 MOBILE GENERATOR CONNECTION
 SCALE: N.T.S.

- SCIENCE ELECTRICAL RISER NOTES:**
- Ⓐ 4-#3/0 & 1-#4G. IN 2.5°C
 - Ⓑ TIE TO EXISTING 208V 3φ BUS DUCT LOCATED IN CEILING.



005.3 100 WING ELECTRICAL RISER DIAGRAM
 SCALE: N.T.S.

- SCIENCE ELECTRICAL RISER NOTES:**
- Ⓐ 4-#1 & 1-#6G. IN 2°C
 - Ⓑ TIE TO EXISTING 208V 3φ BUS DUCT LOCATED IN CEILING.



005.4 200 WING ELECTRICAL RISER DIAGRAM
 SCALE: N.T.S.

ENGINEERING
 SOURCE OF NC, PA.

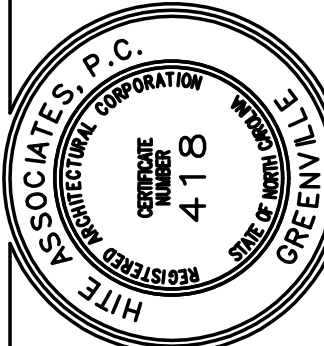
D. Wilson P.C.
 11/21/23

ES21080
 102-42 Regency Blvd., Greenville, NC 27834
 E-Mail Address: general@hiteassociates.com
 Web (252) 432-0328 • Fax (252) 432-0462 • Fax (252) 432-0333

No.	Date	Revision
1	11/17/23	ADDENDUM # 1
2	11/14/23	ADDENDUM # 2
3	11/21/23	ADDENDUM # 3

Hite associates
 ARCHITECTURE / PLANNING / TECHNOLOGY

2600 Meridian Drive / Greenville, NC 27834 / Tel (252) 757-0333



New Additions & Renovations to
West Carteret High School
 4700 Country Club Road, Morehead City, NC 28577
 Carteret County Schools / North Carolina

Project No. 22112
 Date: 03 Oct 2023
 Drawing No. **E 005**

THIS DRAWING IS THE PROPERTY OF ENGINEERING SOURCE OF NC, P.A. THIS DRAWING IS NOT TO BE COPIED IN WHOLE OR IN PART. THIS DRAWING OR THE INFORMATION HEREON IS NOT TO BE USED ON ANY OTHER PROJECT AND MUST BE RETURNED TO ENGINEERING SOURCE OF NC, P.A. UPON REQUEST. DO NOT SCALE THESE DRAWINGS. REFER TO ARCHITECTURAL DRAWINGS FOR EXACT DIMENSIONS.