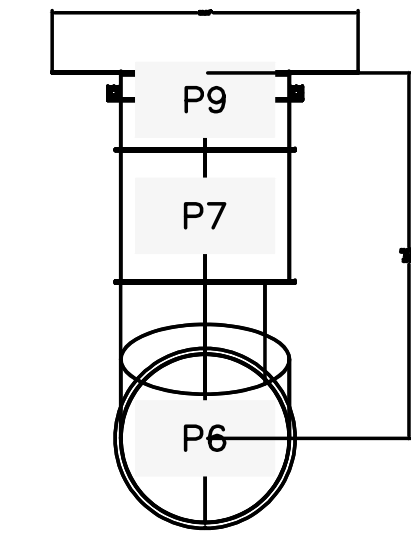
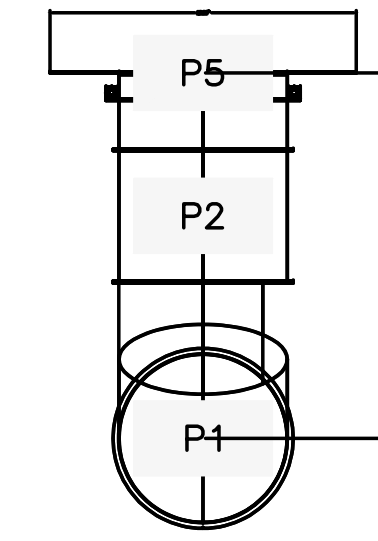


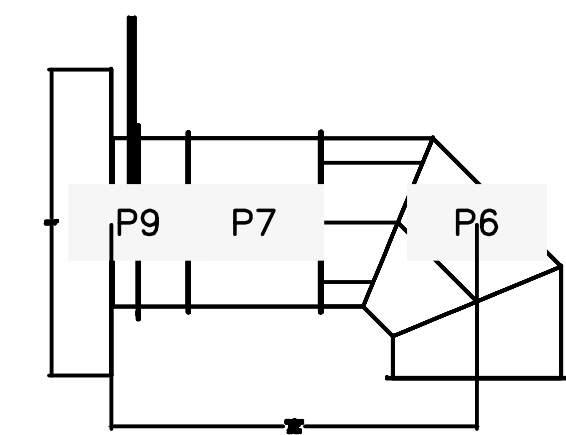
DUCTWORK #1 PARTS - JOB#6323239

TAG	PART #	CFM	GPM	ZONE	COVEREDBY	SP	WEIGHT	VELOCITY	QTY	DESCRIPTION
P1	DW1490ASY	1750				-0.1348	10.62	1637.02	1	SINGLE WALL DUCT 90 DEGREE ELBOW, 14" DUCT, ASSEMBLY.
P2	DW1411LT	1750				-0.0045	5.46	1637.02	1	SINGLE WALL DUCT 14" DIAMETER, 11" LONG, FLANGE AT BOTH ENDS. STAINLESS STEEL.
P3	DW1418AJDKIT	1750				-0.0025	11.56	1637.02	1	SINGLE WALL DUCT ADJUSTABLE, 14" DIAMETER, 17.5" LONG, FLANGE AT ONE END WITH A 14" ADJUSTABLE COLLAR - STAINLESS STEEL.
P4	DW14SUBBRASY						2.96		1	DUCT SUPPORT BRACKET KIT, 14" DUCT, USED FOR HANGING DUCT. 12 GA STEEL, CLEAR ZINC COATING. - 2 RINGS, 4 BRACKETS, & HARDWARE BAG 2.
P5	DW2314TP	1750					8.49	1637.02	1	DUCT TO CURB TRANSITION, 23" CURB TO 14" DUCT, 16 GA ALUMINIZED. USED ON BDU15, DU75 & BS.
SYSTEM AT P5						-1.0198	0.00			
P6	DW1490ASY	1750				-0.1348	10.62	1637.02	1	SINGLE WALL DUCT 90 DEGREE ELBOW, 14" DUCT, ASSEMBLY.
P7	DW1411LT	1750				-0.0045	5.46	1637.02	1	SINGLE WALL DUCT 14" DIAMETER, 11" LONG, FLANGE AT BOTH ENDS. STAINLESS STEEL.
P8	DW1418AJDKIT	1750				-0.0025	11.56	1637.02	1	SINGLE WALL DUCT ADJUSTABLE, 14" DIAMETER, 17.5" LONG, FLANGE AT ONE END WITH A 14" ADJUSTABLE COLLAR - STAINLESS STEEL.
P9	DW14SUBBRASY						2.96		1	DUCT SUPPORT BRACKET KIT, 14" DUCT, USED FOR HANGING DUCT. 12 GA STEEL, CLEAR ZINC COATING. - 2 RINGS, 4 BRACKETS, & HARDWARE BAG 2.
P10	DW2314TP	1750					8.49	1637.02	1	DUCT TO CURB TRANSITION, 23" CURB TO 14" DUCT, 16 GA ALUMINIZED. USED ON BDU15, DU75 & BS.
SYSTEM AT P10						-0.9818	0.00			
	3M-2000PLUS						0.80		2	DUCT - 3M FIRE BARRIER 2000 PLUS SILICONE - USED AS SEALANT TO SEAL DUCT JOINTS.
	DW14CLASY						1.06		6	DUCT V" CLAMP WITH NEW DESIGN 14 GA BRACKETS, 14" DUCT, ASSEMBLY.
TOTAL WEIGHT							86.14			

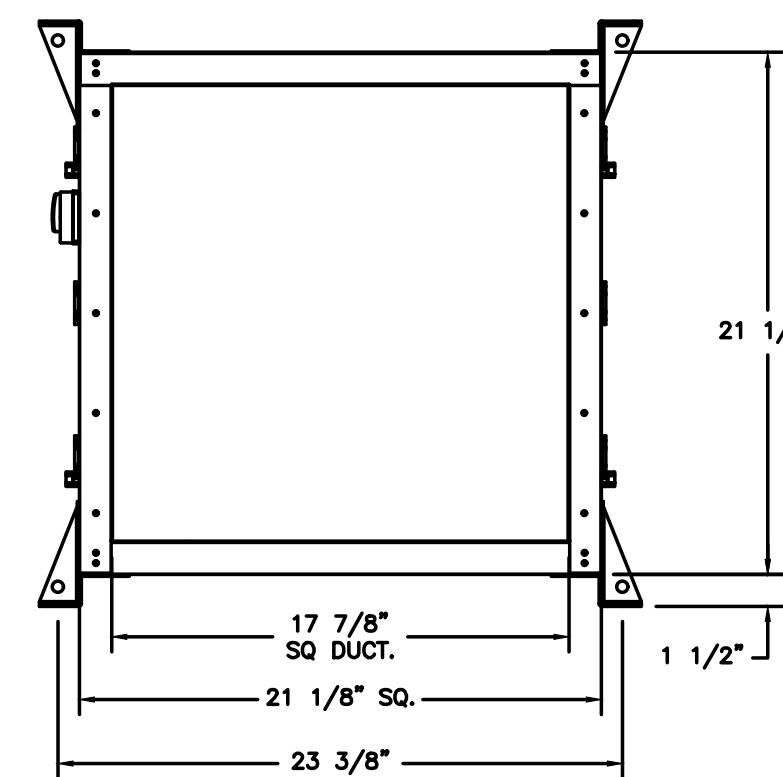
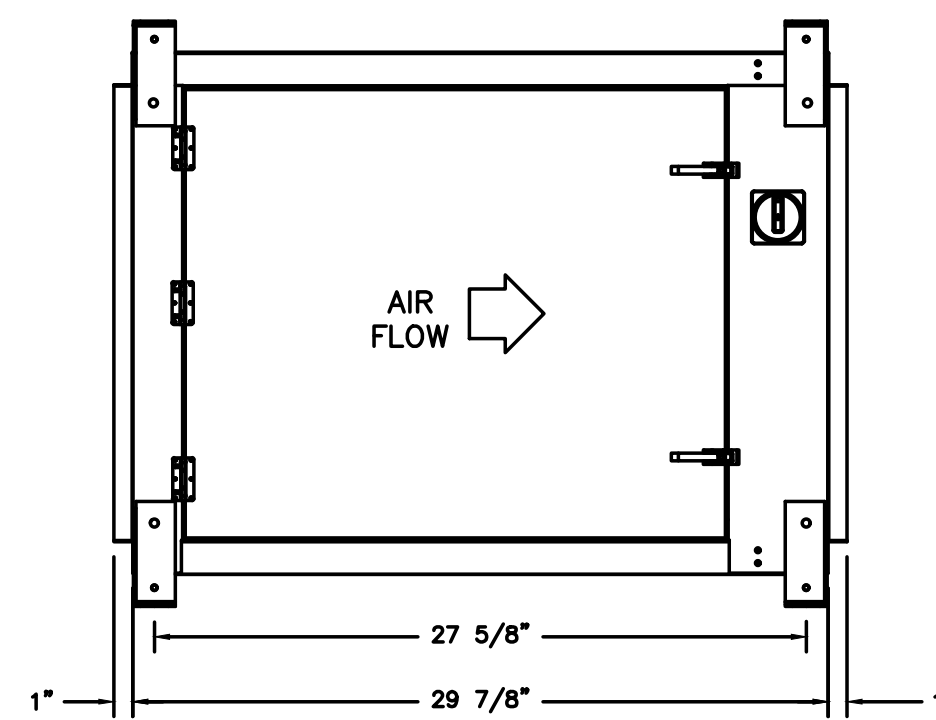
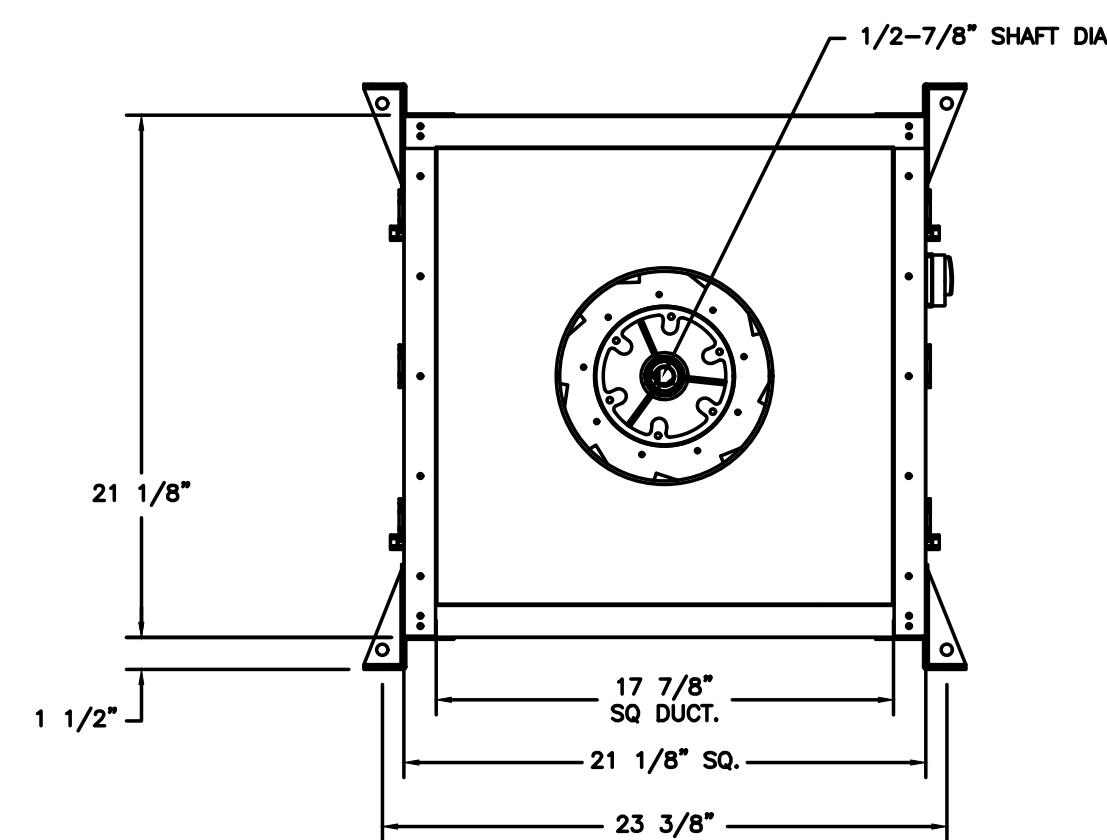
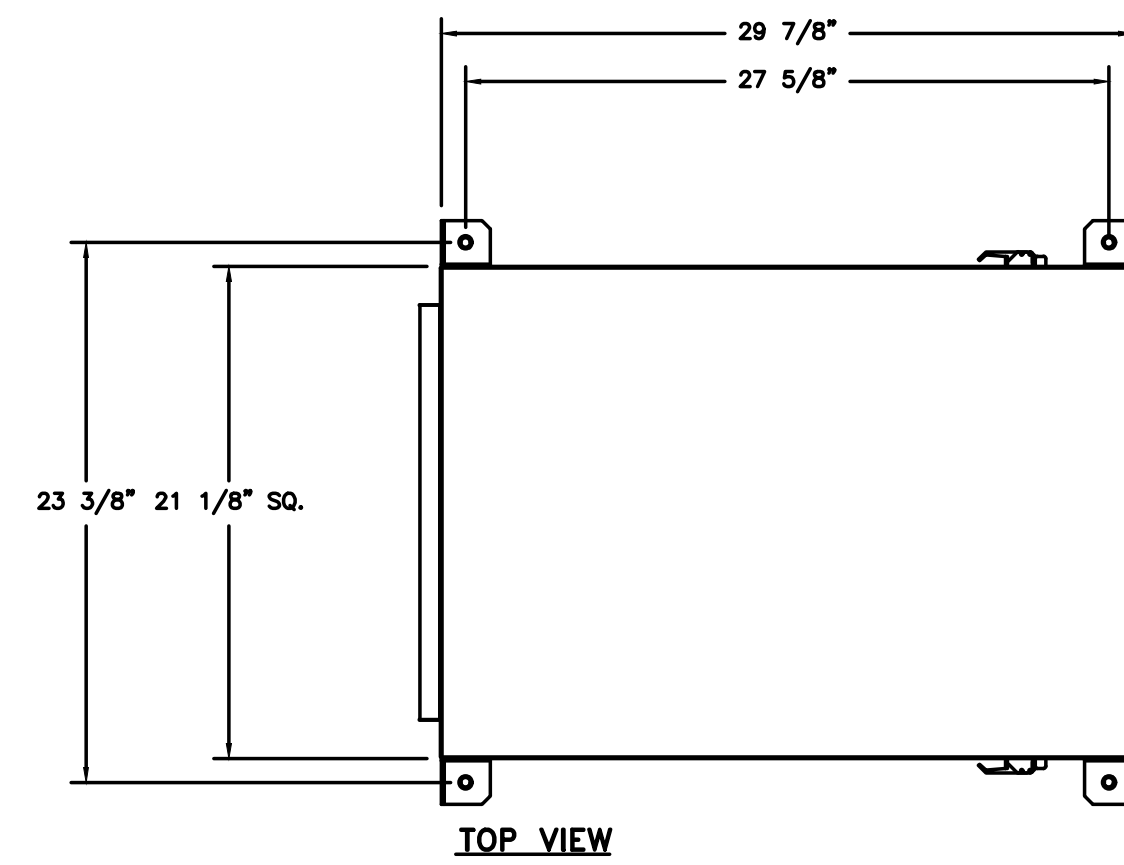
DUCTWORK #1 TOP VIEW



DUCTWORK #1 SIDE VIEW



FANS #3 (QMA-1), #4 (QMA-2) - SIF3000 EXHAUST FAN

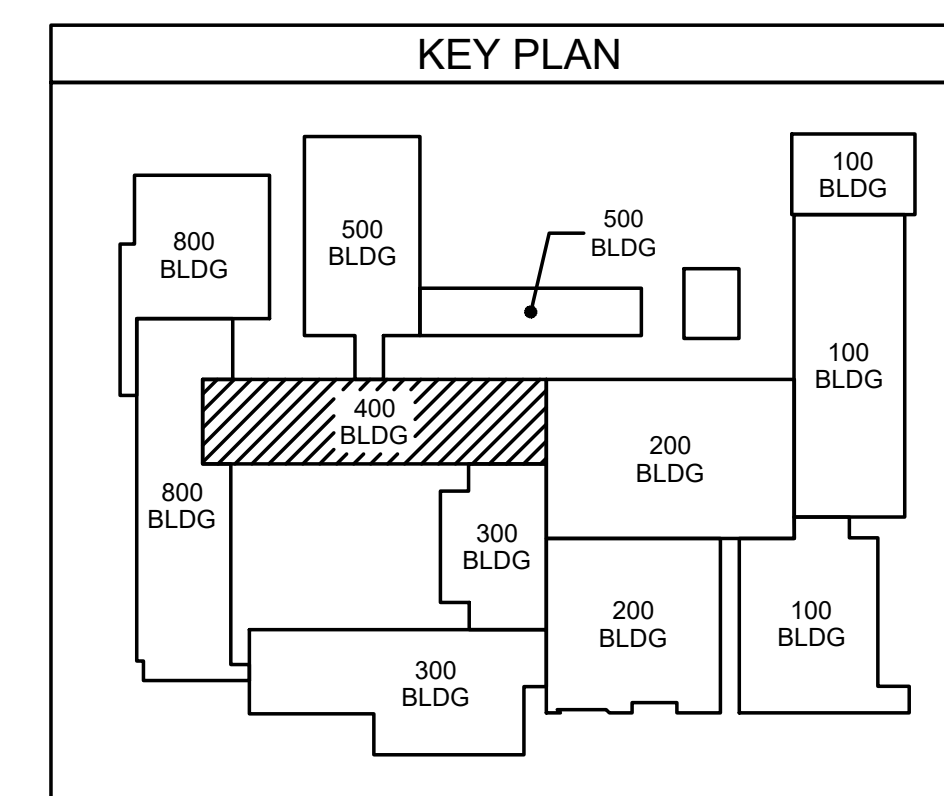
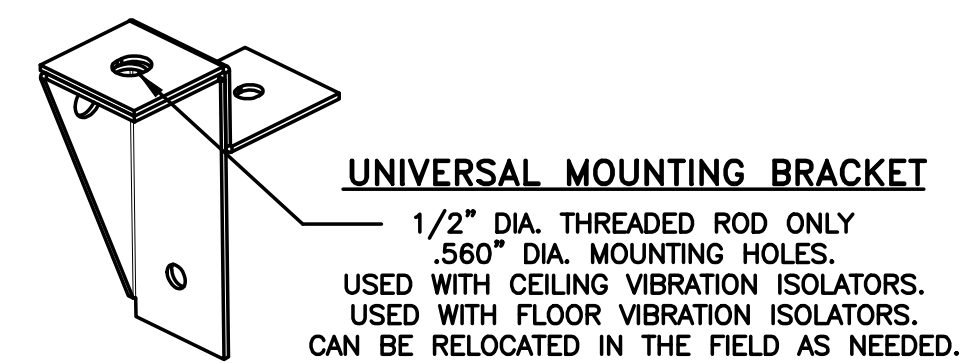


FEATURES:

- DIRECT DRIVE CONSTRUCTION (NO BELTS/PULLEYS).
- TWO ACCESS DOORS FOR EASY ACCESS.
- BACKWARD INCLINED NON-OVERLOADING WHEELS.
- UL705 LISTING.
- AMCA AIR & SOUND CERTIFIED.
- THERMAL OVERLOAD PROTECTION (SINGLE PHASE).

OPTIONS:

- SIF - HORIZONTAL OVERHEAD MOUNT - PRE-INSTALLED MOUNTS (11-36).
- ECM WIRING PACKAGE - EXHAUST - MANUAL OR 0-10VDC REFERENCE SPEED CONTROL - HSC - (FIELD), CCM ROTATION.
- 1 1/2" BDD DAMPER.
- SIF13 - STRAIGHT DISCHARGE, SQUARE DUCT CONNECTION.
- SIF13 - INLET - SQUARE DUCT CONNECTION.
- 2 YEAR PARTS WARRANTY.



ES Project No. ES21080  
ENGINEERING  
SOURCE OF NC, PA.  
102-42 Regency Blvd., Greensboro, NC 27434  
E-Mail Address: general@sourceofnc.com  
Tel (336) 432-3333 • Fax (336) 432-0462 • TOLL FREE 1-877-333-3333

Professional Engineer  
D. Wilson  
11/21/23  
N.C. STATE BOARD OF EXAMINERS FOR PROFESSIONAL ENGINEERS

Project No. 22112

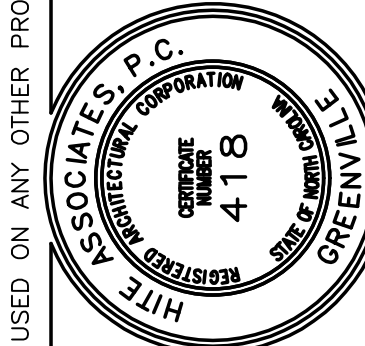
Date: 03 Oct 2023

Drawing No.

M  
406

INFORMATION TAKEN FROM SIMILAR JOB BY CAPTIVE-AIRE, INCLUDED FOR REFERENCE ONLY

THIS DRAWING IS THE PROPERTY OF ENGINEERING SOURCE OF NC, P.A. THIS DRAWING IS NOT TO BE COPIED IN WHOLE OR IN PART. THIS DRAWING OR THE INFORMATION HEREUPON IS NOT TO BE USED ON ANY OTHER PROJECT AND MUST BE RETURNED TO ENGINEERING SOURCE OF NC, P.A. UPON REQUEST. DO NOT SCALE THESE DRAWINGS. REFER TO ARCHITECTURAL DRAWINGS FOR EXACT DIMENSIONS.



New Additions & Renovations to  
West Carteret High School  
4700 Country Club Road, Morehead City, NC 28577  
Carteret County Schools / North Carolina

No.	Date	Revision
1	11/09/23	ADDENDUM # 1
2	11/14/23	ADDENDUM # 2
3	11/21/23	ADDENDUM # 3

**Hite associates**  
ARCHITECTURE / PLANNING / TECHNOLOGY  
2600 Meridian Drive / Greenville, NC 27834 / tel (252) 757-0333