

New Bertie High School

Bertie County Schools

716 US 13 North / NCDPS Unit 080 - School 312
Windsor / Bertie County / North Carolina

Hite associates
ARCHITECTURE / ENGINEERING / TECHNOLOGY
2600 Meridian Drive / Greenville, N.C. 27834 / tel 252-757-0333

CIVIL ENGINEERING CONSULTANT:

J. Stephen Janowski Engineering, P.A.
(C-3754)
P.O. Box 2792 Winterville, North Carolina 28590 tel (252) 714-3002



STRUCTURAL CONSULTANT:

JDA ENGINEERS, P.A.
1019 Passport Way Cary, North Carolina 27513 tel (919) 677-3004

PLUMBING - HVAC - ELECTRICAL - TECHNOLOGY

3 OF **3**
RECORD DRAWING

ABBREVIATIONS

AFF ABOVE FINISH FLOOR	INV INVERT
L ANGLE	JT JOINT
AB ANCHOR BOLT	LAV LAVATORY
0 AT	MAS MASONRY
B/B BACK TO BACK (CURB)	MAX MAXIMUM
BRG BEARING	MB MARKER BOARD
BD BOARD	MET METAL
BC BRICK COURSE	MC MECHANICAL CONTRACTOR
BLDG BUILDING	MT METAL THRESHOLD
CI CAST IRON	MT MARBLE THRESHOLD
CPT CARPET	MIN MINIMUM
CB CATCH BASIN	MISC MISCELLANEOUS
CLG CEILING	NOM NOMINAL
CT CEILING TILE	NIC NOT IN CONTRACT
CB CHALKBOARD	NTS NOT TO SCALE
CJ CONSTRUCTION JOINT	OC ON CENTER
CONC CONCRETE	OPG OPENING
CMU CONCRETE MASONRY UNIT	OPP OPPOSITE
CG CORNER GUARD	PC PLUMBING CONTRACTOR
CMP CORRUGATED METAL PIPE	PLAS PLASTER
CONT. CONTINUOUS	PL PLATE
C & R CURTAIN & ROD	PT PRESSURE TREATED
C & T CURTAIN & TRACK	R RADIUS
DA DIAMETER	REF REFERENCE
DM DIMENSION	RENF REINFORCED
DS DOWNSPOUT	RCP REINFORCE CONCRETE PIPE
DWR DRAWER	REQ'D REQUIRED
EA EACH	RFS RUBBER FASTENING STRIP
EC ELECTRICAL CONTRACTOR	RI RIGID INSULATION
EFS EXTERIOR INSULATION & FIN SYSTEM	R/W RIGHT OF WAY
ELECT ELECTRICAL	RD ROOF DRAIN
EWC ELECTRIC WATER COOLER	RDL ROOF DRAIN LEADER
ELEV ELEVATION	RGH ROUGH
EO EQUAL	SCHED SCHEDULED
ETR EXISTING TO REMAIN	SH SHELF
EXIST EXISTING	SHTG SHEATHING
EXP EXPOSED, EXPANSION	SIM SIMILAR
EJ EXPANSION JOINT	SPEC SPECIFIED
F/F FACE TO FACE (CURB)	SPECS SPECIFICATIONS
FIN FINISH	STD STANDARD
FE FIRE EXTINGUISHER	SUSP SUSPENDED
FEC FIRE EXTINGUISHER CABINET	TB TACKBOARD
FHC FIRE HOSE CABINET	TYP TYPICAL
FTG FOOTING	TJC TYPICAL CONTROL JOINT
FD FLOOR DRAIN	UON UNLESS OTHERWISE NOTED
FL FLOOR	UR URINAL
FSR FLEXIBLE SHEET ROOFING	VB VAPOR BARRIER
GB GYPSUM WALLBOARD	VERT VERTICAL
GC GENERAL CONTRACTOR	VCT VINYL COMPOSITION TILE
HM HOLLOW METAL	WC WATER CLOSET
HOR HORIZONTAL	WWF WELDED WIRE FABRIC
INSUL INSULATION	W/ WITH

Drawing Index One of Three: PROJECT DATA - CIVIL - ARCHITECTURAL PART ONE

PROJECT DATA

T-1	INDEX ONE OF THREE: PROJECT DATA - CIVIL / ARCHITECTURAL PART ONE
T-2	INDEX TWO OF THREE: ARCHITECTURAL PART TWO / FOOD SERVICE / STRUCTURAL
T-3	INDEX THREE OF THREE: PLUMBING / MECHANICAL / ELECTRICAL

BCS-100	BUILDING CODE DATA - ADMIN / MEDIA BUILDING
BCS-200	BUILDING CODE DATA - CLASSROOM BUILDING
BCS-300	BUILDING CODE DATA - GYMNASIUM BUILDING
BCS-400	BUILDING CODE DATA - THEATER BUILDING

FRA-001	FIRE RATED ASSEMBLY DATA
FRA-002	FIRE RATED ASSEMBLY DATA

LS-001	LIFE SAFETY PLAN - FIRST FLOOR
--------	--------------------------------

CIVIL DRAWINGS

C-001	OVERALL SITE PLAN
-------	-------------------

C-101	SITE GEOMETRY PLAN
-------	--------------------

C-201	SITE GRADING AND EROSION CONTROL PLAN
C-202	SITE GRADING AND EROSION CONTROL PLAN

C-301	SITE STRUCTURES DETAILS
C-302	SITE EROSION CONTROL DETAILS
C-303	SITE EROSION CONTROL DETAILS
C-304	WET DETENTION POND DETAILS
C-305	CONCRETE DETAILS
C-306	SIGNAGE AND MISC DETAILS
C-307	WATERLINE SERVICE DETAILS
C-308	WATERLINE SERVICE DETAILS

C-401	ROAD AND DRIVE SECTIONS
-------	-------------------------

C-601	SANITARY SEWER PLAN AND PROFILE
-------	---------------------------------

ARCHITECTURAL DRAWINGS

A-001	OVERALL FIRST FLOOR PLAN
A-002	OVERALL EQUIPMENT PLATFORM PLAN
A-003	ROOF PLAN / ROOF DRAINAGE PLAN
A-004	ROOF DETAILS
A-005	ROOF DETAILS

A-101	ADMINISTRATION / MEDIA CENTER FLOOR PLAN
A-102	ADMINISTRATION / MEDIA CENTER EQUIPMENT PLATFORM PLAN
A-103	ADMINISTRATION / MEDIA CENTER REFLECTED CEILING PLAN
A-104	INTERIOR ELEVATIONS / ADMINISTRATION
A-105	INTERIOR ELEVATIONS / MEDIA CENTER
A-106	INTERIOR ELEVATIONS / MEDIA CENTER
A-107	ENLARGED GRAPHICS & ELECTRONICS CLASSROOM / INTERIOR ELEVATIONS
A-108	ENLARGED TOILET PLANS / INTERIOR ELEVATIONS

A-201	PARTIAL CLASSROOM WING FLOOR PLAN
A-202	PARTIAL CLASSROOM WING FLOOR PLAN
A-203	ALTERNATE CLASSROOM FLOOR PLAN
A-204	CLASSROOM EQUIPMENT PLATFORM PLAN
A-205	CLASSROOM EQUIPMENT PLATFORM PLAN
A-206	ALTERNATE CLASSROOM EQUIPMENT PLATFORM PLAN
A-207	CLASSROOM WING REFLECTED CEILING PLAN
A-208	CLASSROOM WING REFLECTED CEILING PLAN
A-209	ALTERNATE CLASSROOM WING REFLECTED CEILING PLAN
A-210	ENLARGED GENERAL CLASSROOM / INTERIOR ELEVATIONS
A-211	ENLARGED ART CLASSROOM / INTERIOR ELEVATIONS
A-212	ENLARGED SCIENCE CLASSROOM / INTERIOR ELEVATIONS
A-213	ENLARGED SCIENCE CLASSROOM / INTERIOR ELEVATIONS
A-214	ENLARGED FOOD LAB / INTERIOR ELEVATIONS
A-215	ENLARGED TOILET PLANS / INTERIOR ELEVATIONS
A-216	ENLARGED SCIENCE CLASSROOM / INTERIOR ELEVATIONS

A-301	GYMNASIUM / LOBBY FLOOR PLAN
A-302	GYMNASIUM / LOCKER ROOM FLOOR PLAN
A-303	GYMNASIUM / LOBBY EQUIPMENT PLATFORM PLAN
A-304	GYMNASIUM / LOCKER ROOM EQUIPMENT PLATFORM PLAN
A-305	GYMNASIUM / LOBBY REFLECTED CEILING PLAN
A-306	GYMNASIUM / LOCKER ROOM REFLECTED CEILING PLAN
A-307	INTERIOR ELEVATIONS: LOBBY
A-308	INTERIOR ELEVATIONS: GYMNASIUM
A-309	INTERIOR ELEVATIONS: LOCKER ROOM
A-310	ENLARGED TOILETS / INTERIOR ELEVATIONS
A-311	ENLARGED TOILETS / INTERIOR ELEVATIONS
A-312	ENLARGED TOILETS / INTERIOR ELEVATIONS

A-401	THEATER FLOOR PLAN
A-402	KITCHEN / CAFETERIA FLOOR PLAN
A-403	THEATER EQUIPMENT PLATFORM PLAN
A-404	KITCHEN / CAFETERIA EQUIPMENT PLATFORM PLAN
A-405	THEATER REFLECTED CEILING PLAN
A-406	KITCHEN / CAFETERIA REFLECTED CEILING PLAN
A-407	INTERIOR ELEVATIONS: LOBBY / CONCESSION
A-408	INTERIOR ELEVATIONS: THEATER
A-409	INTERIOR ELEVATIONS: THEATER
A-410	INTERIOR ELEVATIONS: BAND
A-411	ENLARGED TOILETS / INTERIOR ELEVATIONS

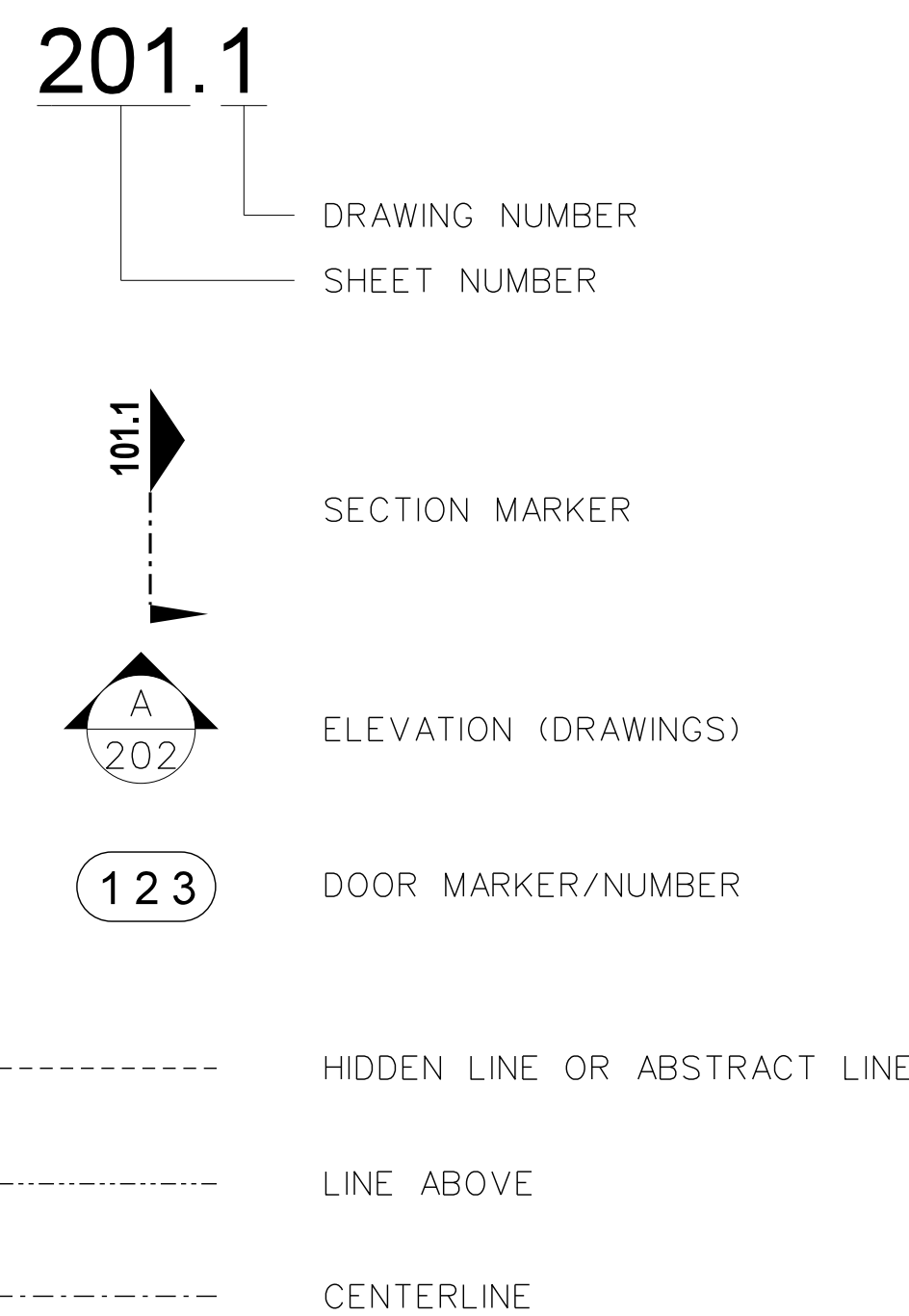
A-500	OVERALL EXTERIOR ELEVATIONS
A-501	ADMINISTRATION / MEDIA CENTER EXTERIOR ELEVATIONS
A-502	CLASSROOM WING EXTERIOR ELEVATIONS
A-503	CLASSROOM WING EXTERIOR ELEVATIONS
A-504	GYMNASIUM EXTERIOR ELEVATIONS
A-505	GYMNASIUM EXTERIOR ELEVATIONS
A-506	THEATER EXTERIOR ELEVATIONS
A-507	THEATER EXTERIOR ELEVATIONS

A-601	ROOM FINISH SCHEDULES
A-602	DOOR SCHEDULES
A-603	DOOR SCHEDULES

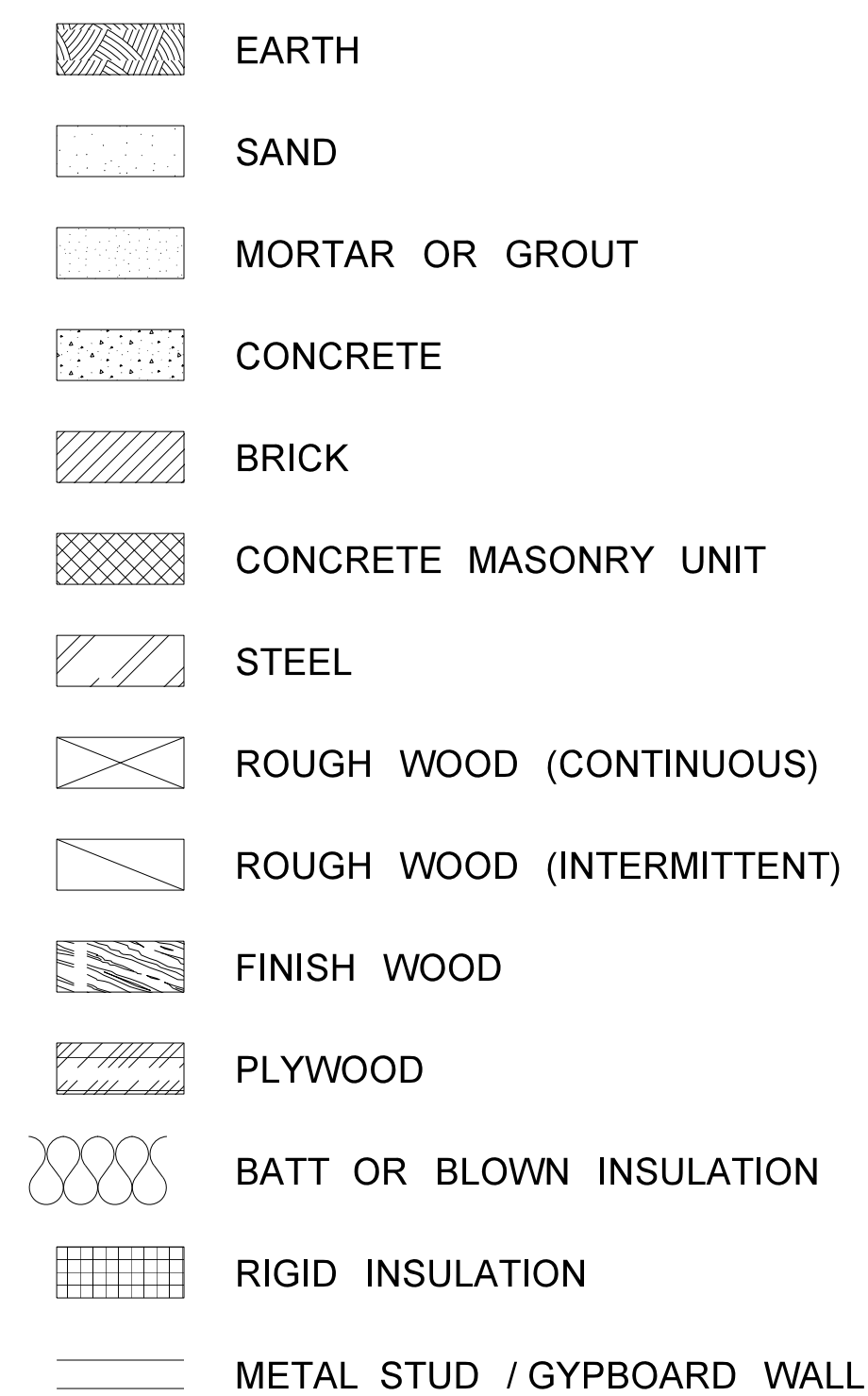
A-701	DOOR ELEVATIONS
A-702	INTERIOR DOOR DETAILS
A-703	EXTERIOR DOOR DETAILS
A-704	WINDOW DETAILS
A-705	COLUMN DETAILS

DRAWING SYMBOLS

DRAWING IDENTIFICATION MARKERS

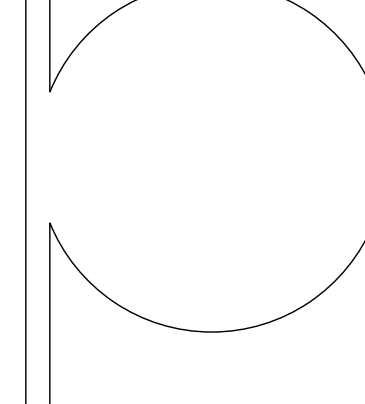
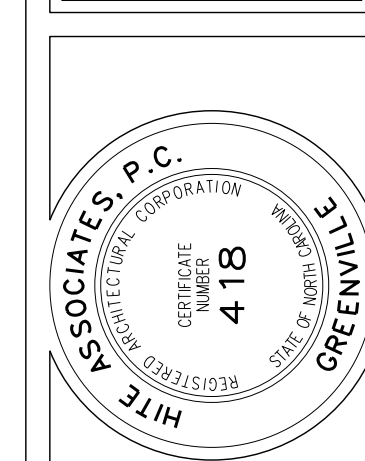


MATERIAL SYMBOLS



Revision	
No.	Date

Hite associates
ARCHITECTURE / ENGINEERING / TECHNOLOGY
2600 Meridian Drive / Greenville, NC 27834 / tel/(252) 757-0333



RECORD DRAWING
New Bertie High School
Bertie County Schools
716 US 13 North / NCDPS Unit 080 - School 312
Windsor / Bertie County / North Carolina

Project No.	21131
Date:	28 March 2012
Drawing no.	T-1

1 OF 3

ABBREVIATIONS

AFF	ABOVE FINISH FLOOR	INV	INVERT
L	ANGLE	JT	JOINT
AB	ANCHOR BOLT	LAV	LAVATORY
0	AT	MAS	MASONRY
B/B	BACK TO BACK (CURB)	MAX	MAXIMUM
BRG	BEARING	MB	MARKER BOARD
BD	BOARD	MET	METAL
BC	BRICK COURSE	MC	MECHANICAL CONTRACTOR
BLDG	BUILDING	MT	METAL THRESHOLD
CI	CAST IRON	MT	MARBLE THRESHOLD
CPT	CARPET	MIN	MINIMUM
CB	CATCH BASIN	MISC	MISCELLANEOUS
CLG	CEILING	NOM	NOMINAL
CT	CEILING TILE	NIC	NOT IN CONTRACT
CB	CHALKBOARD	NTS	NOT TO SCALE
CJ	CONSTRUCTION JOINT	OC	ON CENTER
CONC	CONCRETE	OPG	OPENING
CMU	CONCRETE MASONRY UNIT	OPP	OPPOSITE
CG	CORNER GUARD	PC	PLUMBING CONTRACTOR
CMP	CORRUGATED METAL PIPE	PLAS	PLASTER
CONT.	CONTINUOUS	PL	PLATE
C & R	CURTAIN & ROD	PT	PRESSURE TREATED
C & T	CURTAIN & TRACK	R	RADIUS
DIA	DIAMETER	REF	REFERENCE
DM	DIMENSION	RENF	REINFORCED
DS	DOWNSPOUT	RCP	REINFORCE CONCRETE PIPE
DWR	DRAWER	REQ'D	REQUIRED
EA	EACH	RFS	RUBBER FASTENING STRIP
EC	ELECTRICAL CONTRACTOR	RI	RIGID INSULATION
EFS	EXTERIOR INSULATION & FIN SYSTEM	R/W	RIGHT OF WAY
ELECT	ELECTRICAL	RD	ROOF DRAIN
EWC	ELECTRIC WATER COOLER	RDL	ROOF DRAIN LEADER
ELEV	ELEVATION	RGH	ROUGH
EO	EQUAL	SCHED	SCHEDULED
ETR	EXISTING TO REMAIN	SH	SHELF
EXIST	EXISTING	SHG	SHEDDING
EXP	EXPOSED, EXPANSION	SIM	SIMILAR
EJ	EXPANSION JOINT	SPEC	SPECIFIED
F/F	FACE TO FACE (CURB)	SPECS	SPECIFICATIONS
FIN	FINISH	STD	STANDARD
FE	FIRE EXTINGUISHER	SUSP	SUSPENDED
FEC	FIRE EXTINGUISHER CABINET	TB	TACKBOARD
FHC	FIRE HOSE CABINET	TYP	TYPICAL
FTG	FOOTING	TJC	TYPICAL CONTROL JOINT
FD	FLOOR DRAIN	UDN	UNLESS OTHERWISE NOTED
FL	FLOOR	UR	URINAL
FSR	FLEXIBLE SHEET ROOFING	VB	VAPOR BARRIER
GB	GYP/SUM WALLBOARD	VERT	VERTICAL
GC	GENERAL CONTRACTOR	VCT	VINYL COMPOSITION TILE
HM	HOLLOW METAL	WC	WATER CLOSET
HOR	HORIZONTAL	WWF	WELDED WIRE FABRIC
INSUL	INSULATION	W/	WITH

Drawing Index Three of Three: PLUMBING - HVAC - ELECTRICAL - TECHNOLOGY

PLUMBING DRAWINGS

P-001	PLUMBING SITE PLAN / GENERAL NOTES / LEGEND / DETAILS
P-002	PLUMBING SCHEDULES / DETAILS
P-003	PLUMBING DETAILS
P-004	PLUMBING DETAILS
P-101	ADMINISTRATION PLUMBING FLOOR PLAN
P-102	ADMINISTRATION EQUIPMENT PLATFORM PLUMBING PLAN
P-103	ADMINISTRATION ENLARGED PLUMBING PLAN
P-201	CLASSROOM WING PLUMBING FLOOR PLAN 1
P-202	CLASSROOM WING EQUIPMENT PLATFORM PLUMBING PLAN 1
P-203	CLASSROOM WING PLUMBING FLOOR PLAN 2
P-204	CLASSROOM WING EQUIPMENT PLATFORM PLUMBING PLAN 2
P-205	ALTERNATE CLASSROOM WING PLUMBING FLOOR PLAN
P-206	ALTERNATE CLASSROOM WING EQUIPMENT PLATFORM PLUMBING PLAN
P-207	CLASSROOM WING ENLARGED PLUMBING PLAN
P-301	GYMNASIUM PLUMBING FLOOR PLAN 1
P-302	GYMNASIUM EQUIPMENT PLATFORM PLUMBING PLAN 1
P-303	GYMNASIUM PLUMBING FLOOR PLAN 2
P-304	GYMNASIUM EQUIPMENT PLATFORM PLUMBING PLAN 2
P-305	GYMNASIUM ENLARGED PLUMBING PLAN
P-306	GYMNASIUM PLUMBING DWV AND SUPPLY RISERS
P-307	GYMNASIUM PLUMBING DWV AND SUPPLY RISERS
P-401	THEATER PLUMBING FLOOR PLAN
P-402	THEATER EQUIPMENT PLATFORM PLUMBING PLAN
P-403	KITCHEN CAFETERIA PLUMBING FLOOR PLAN
P-404	KITCHEN CAFETERIA EQUIPMENT PLATFORM PLUMBING PLAN
P-405	KITCHEN CAFETERIA ENLARGED PLUMBING PLAN
P-406	KITCHEN CAFETERIA DWV AND SUPPLY RISERS

MECHANICAL DRAWINGS

M-001	HVAC CONTROL DIAGRAMS
M-002	HYDRONIC HEATING FLOW AND CONTROL DIAGRAMS
M-003	HYDRONIC CHILLED WATER FLOW AND CONTROL DIAGRAM
M-004	HVAC SCHEDULES
M-005	HVAC SCHEDULES
M-006	CHILLER YARD PLAN
M-101	ADMINISTRATION HVAC FLOOR PLAN
M-102	ADMINISTRATION EQUIPMENT PLATFORM PIPING PLAN
M-201	CLASSROOM WING HVAC FLOOR PLAN 1
M-202	CLASSROOM WING EQUIPMENT PLATFORM PIPING PLAN 1
M-203	CLASSROOM WING HVAC FLOOR PLAN 2
M-204	CLASSROOM WING EQUIPMENT PLATFORM PIPING PLAN 2
M-205	ALTERNATE CLASSROOM WING HVAC FLOOR PLAN
M-206	ALTERNATE CLASSROOM WING EQUIPMENT PLATFORM PIPING PLAN
M-301	GYMNASIUM HVAC FLOOR PLAN 1
M-302	GYMNASIUM EQUIPMENT PLATFORM PIPING PLAN 1
M-303	GYMNASIUM HVAC FLOOR PLAN 2
M-304	GYMNASIUM EQUIPMENT PLATFORM PIPING PLAN 2
M-305	ENLARGED BOILER ROOM / DETAILS
M-306	HVAC SECTION
M-401	THEATER HVAC FLOOR PLAN
M-402	THEATER EQUIPMENT PLATFORM PIPING PLAN
M-403	KITCHEN CAFETERIA HVAC FLOOR PLAN
M-404	KITCHEN CAFETERIA EQUIPMENT PLATFORM PIPING PLAN

ELECTRICAL DRAWINGS

E-001	ELECTRICAL SITE PLAN
E-002	LEGEND / SCHEDULES / DETAILS
E-003	POWER RISER
E-101	ADMINISTRATION / MEDIA CENTER POWER PLAN
E-102	ADMINISTRATION / MEDIA CENTER LIGHTING / FIRE ALARM PLAN
E-103	ADMINISTRATION / MEDIA CENTER EQUIPMENT PLATFORM POWER PLAN
E-104	ADMIN / MEDIA CENTER EQUIPMENT FLOOR LIGHTING / FIRE ALARM PLAN
E-201	FIRST FLOOR CLASSROOM POWER PLAN
E-202	FIRST FLOOR CLASSROOM LIGHTING / FIRE ALARM PLAN
E-203	FIRST FLOOR CLASSROOM EQUIPMENT PLATFORM POWER PLAN
E-204	FIRST FLOOR CLASSROOM EQUIPMENT FLOOR LIGHTING / FIRE ALARM PLAN
E-205	FIRST FLOOR CLASSROOM POWER PLAN
E-206	FIRST FLOOR CLASSROOM LIGHTING / FIRE ALARM PLAN
E-207	FIRST FLOOR CLASSROOM EQUIPMENT PLATFORM POWER PLAN
E-208	FIRST FLOOR CLASSROOM EQUIPMENT FLOOR LIGHTING / FIRE ALARM PLAN
E-209	FIRST FLOOR CLASSROOM POWER PLAN
E-210	FIRST FLOOR CLASSROOM LIGHTING / FIRE ALARM PLAN
E-211	FIRST FLOOR CLASSROOM EQUIPMENT PLATFORM POWER PLAN
E-212	FIRST FLOOR CLASSROOM EQUIPMENT FLOOR LIGHTING / FIRE ALARM PLAN
E-301	GYMNASIUM POWER PLAN / EQUIPMENT PLATFORM POWER PLAN
E-302	GYMNASIUM LIGHTING / FIRE ALARM PLAN / EQUIPMENT PLATFORM LIGHTING / FIRE ALARM PLAN
E-303	LOCKER ROOM POWER PLAN / EQUIPMENT PLATFORM POWER PLAN
E-304	GYMNASIUM / LOCKER ROOM LIGHTING / FIRE ALARM PLAN / EQUIPMENT PLATFORM LIGHTING / FIRE ALARM PLAN
E-305	ENLARGED BOILER ROOM / CHILLER YARD POWER PLAN
E-401	THEATER FLOOR PLAN POWER PLAN / EQUIPMENT PLATFORM POWER PLAN
E-402	THEATER FLOOR PLAN FIRE ALARM PLAN / EQUIPMENT PLATFORM LIGHTING / FIRE ALARM PLAN
E-403	KITCHEN / CAFETERIA POWER PLAN / EQUIPMENT PLATFORM POWER PLAN
E-404	KITCHEN / CAFETERIA FIRE ALARM PLAN / EQUIPMENT PLATFORM LIGHTING / FIRE ALARM PLAN
E-405	ENLARGED KITCHEN POWER PLAN
E-406	THEATER LIGHTING / SCHEDULES / DETAILS
IC-001	OVERALL ICS PLAN / GENERAL NOTES / LEGEND
IC-002	UTILITY PLATFORM ICS PLAN
IC-003	TELECOMMUNICATIONS SYSTEMS RISERS & DETAILS
IC-004	TELECOMMUNICATIONS SYSTEMS RISERS & DETAILS
IC-101	100 BLDG ICS PLAN
IC-201	200 BLDG ICS PLAN
IC-202	200 BLDG ICS PLAN
IC-203	200 BLDG ICS PLAN
IC-301	300 BLDG ICS PLAN
IC-302	300 BLDG ICS PLAN
IC-401	400 BLDG ICS PLAN
IC-402	400 BLDG ICS PLAN

DRAWING SYMBOLS

DRAWING IDENTIFICATION MARKERS

	DRAWING NUMBER
	SHEET NUMBER
	SECTION MARKER
	ELEVATION (DRAWINGS)
	DOOR MARKER/NUMBER
	HIDDEN LINE OR ABSTRACT LINE
	LINE ABOVE
	CENTERLINE

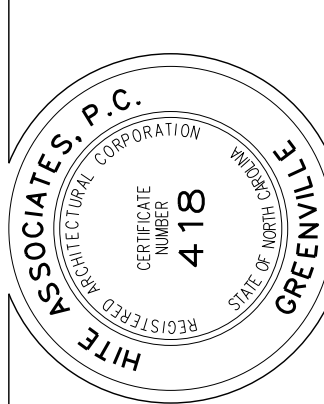
MATERIAL SYMBOLS

	EARTH
	SAND
	MORTAR OR GROUT
	CONCRETE
	BRICK
	CONCRETE MASONRY UNIT
	STEEL
	ROUGH WOOD (CONTINUOUS)
	ROUGH WOOD (INTERMITTENT)
	FINISH WOOD
	PLYWOOD
	BATT OR BLOWN INSULATION
	RIGID INSULATION
	METAL STUD / GYPBOARD WALL

3 OF 3

No.	Date	Revision

Hite associates
ARCHITECTURE / ENGINEERING / TECHNOLOGY
2600 Meridian Drive / Greenville, NC 27834 / Tel: (252) 757-0333



RECORD DRAWING
New Bertie High School
Bertie County Schools
716 US 13 North / NCDPS Unit 080 - School 312
Windsor / Bertie County / North Carolina

Project No.	21131
Date:	28 March 2012
Drawing no.	T 3

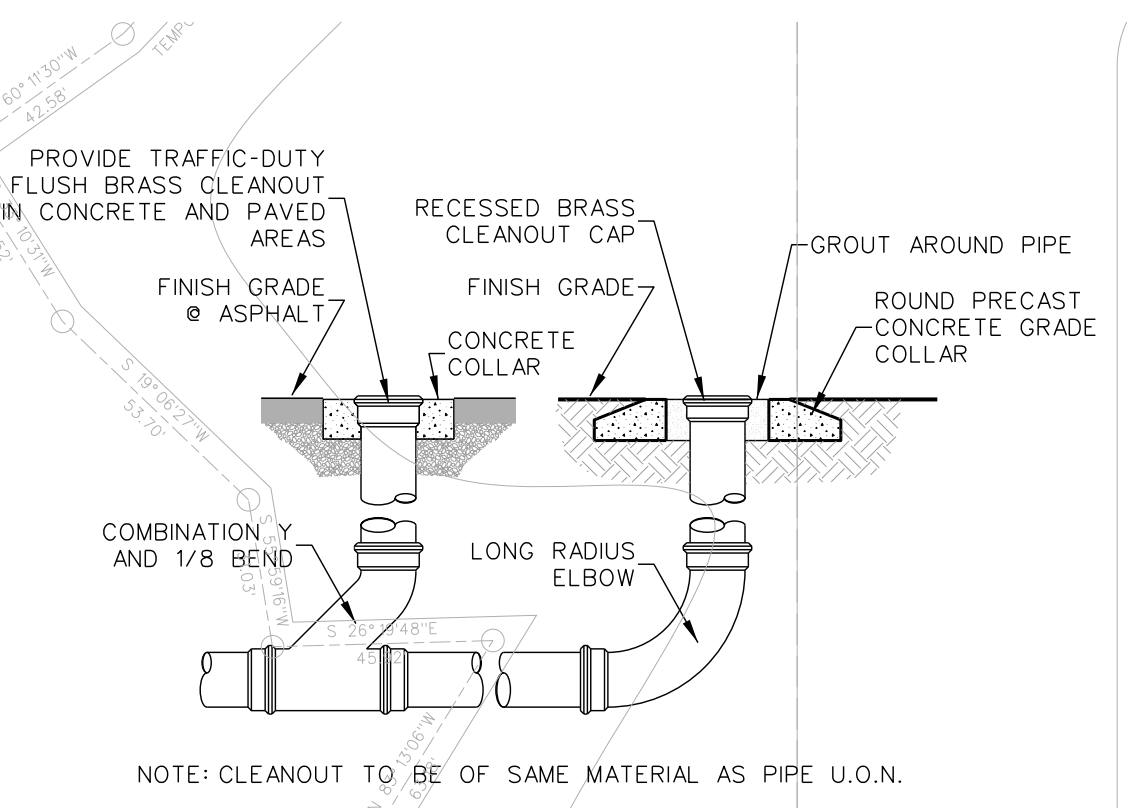
GENERAL PLUMBING NOTES

- (1) REFERENCE ARCHITECTURAL, STRUCTURAL, HVAC & ELECTRICAL DRAWINGS, AND SPECIFICATIONS PRIOR TO CONSTRUCTION.
- (2) ALL WORK SHALL BE IN STRICT ACCORDANCE WITH STATE BUILDING CODE AND ALL LOCAL CODES. CONTRACTOR SHALL OBTAIN AND PAY FOR ALL NECESSARY PERMITS, INSPECTION OR TAP-ON FEES.
- (3) THE PLUMBING CONTRACTOR SHALL COORDINATE THE INSTALLATION OF PLUMBING FIXTURES & EQUIPMENT WITH OTHER PRIME CONTRACTORS PRIOR TO INSTALLATION TO AVOID CONFLICTS. CONTACT ARCHITECT IF ALTERNATE INSTALLATION METHOD IS REQUIRED.
- (4) THE LOCATIONS OF KNOWN EXISTING UNDERGROUND UTILITIES ARE SHOWN IN AN APPROXIMATE METHOD & HAVE NOT BEEN VERIFIED. CONTRACTOR SHALL DETERMINE EXACT LOCATION OF UNDERGROUND UTILITIES PRIOR TO COMMENCING WORK & IS RESPONSIBLE FOR ANY DAMAGE INCURRED BY FAILURE TO DO SO. CALL UTILITY LOCATOR SERVICE 48 HOURS BEFORE EXCAVATION (1-800-488-4888). ALSO CONTACT SCHOOL MAINTENANCE DEPARTMENT AND USE PRIVATE UTILITY LOCATOR SERVICE AS NEED TO IDENTIFY ALL EXISTING UNDERGROUND UTILITIES.
- (5) DO NOT SCALE PLUMBING DRAWING. REFER TO LARGEST SCALE ARCHITECTURAL FLOOR PLAN FOR ROUGH-IN DIMENSIONS.
- (6) ALL SUPPLY DRAIN AND VENT PIPING SHALL BE CONCEALED (EXCEPT AT FIXTURES) UNLESS OTHERWISE NOTED. ALL PIPE CONTAINING LIQUIDS INSIDE BUILDING ARE TO BE LOCATED WITHIN THE INSULATION ENVELOPE.
- (7) HVAC DUCTWORK HAS RIGHT-OF-WAY OVER PLUMBING PIPES; COORDINATE AS REQUIRED. NO PIPING SHALL BE INSTALLED OVER ELECTRICAL EQUIPMENT SUCH AS SWITCHBOARDS, PANELBOARDS, TRANSFORMERS, ETC., PER NEC ARTICLE 384.
- (8) CLEANOUTS & FLOOR DRAIN STRAINERS SHALL BE INSTALLED FLUSH WITH FINISH FLOOR ELEVATION. FLOOR DRAINS SHALL BE INSTALLED TO PROVIDE PROPER DRAINAGE OF SPACE.
- (9) VENT LINES SHALL SLOPE UP TO VTR.
- (10) ALL PLUMBING CONSTRUCTION PENETRATING FIRE-RATED SURFACES AND NON-RATED PARTITIONS SHALL BE SEALED PER FIRE STOPPING DETAIL ON SHEET FP-001 OR THE LATEST EDITION OF THE UL FIRE RESISTANCE DIRECTORY, VOLUME 2.
- (11) PLUMBING CONTRACTOR SHALL BE RESPONSIBLE FOR MAKING ALL FINAL ELECTRICAL AND CONTROL CONNECTIONS TO EQUIPMENT FURNISHED UNDER HIS CONTRACT. SEE SPECIFICATION SECTION 15300.
- (12) WATER LINES SHALL BE TYPE L COPPER ABOVE GRADE, TYPE K BELOW WITH NO JOINTS UNDER SLAB. INSULATE HOT AND COLD WATER PIPING AS SPECIFIED. PRESSURE TEST SYSTEM AT 100 PSIG FOR 24 HOURS OR 150 PSIG FOR 4 HOURS.
- (13) PROVIDE CHROME-PLATED ESCUTCHEON PLATES WHERE PIPES PASS THROUGH FINISHED WALLS, CEILINGS, OR FLOORS.
- (14) *PROVIDE* IS DEFINED AS FURNISH AND INSTALL AS PER MANUFACTURER'S RECOMMENDATIONS.
- (15) WATER CLOSETS SHALL BE MOUNTED ON CAST IRON FLANGES.

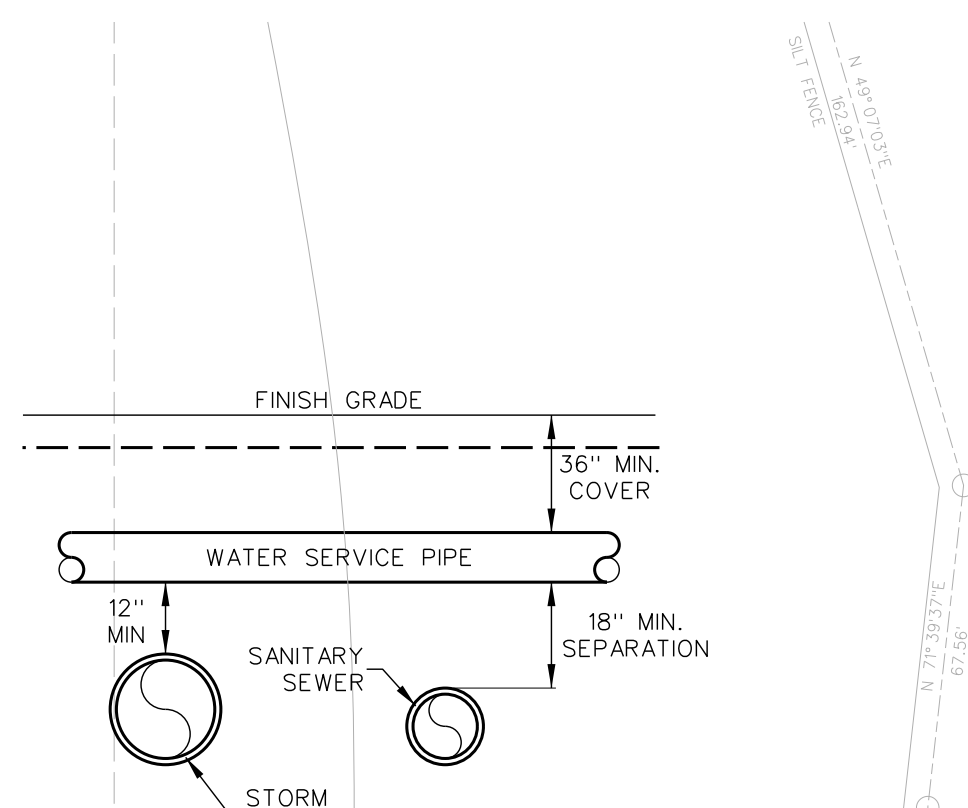
CALL 48 HOURS BEFORE YOU DIG
 North Carolina One
 Call Center Inc.
 (NCOCC)
 1-800-632-4949

THE LOCATIONS OF EXISTING UNDERGROUND UTILITIES ARE SHOWN IN AN APPROXIMATE METHOD & HAVE NOT BEEN VERIFIED. CONTRACTOR SHALL DETERMINE EXACT LOCATION OF UNDERGROUND UTILITIES PRIOR TO COMMENCING WORK & IS RESPONSIBLE FOR ANY DAMAGE INCURRED BY FAILURE TO DO SO. EACH PRIME CONTRACTOR PERFORMING EXCAVATIONS OR UNDERGROUND WORK SHALL BE RESPONSIBLE FOR THE LOCATION OF ANY EXISTING UTILITIES IN THE AREA OF THEIR WORK. NOTIFY THE UTILITY LOCATOR SERVICE (1-800-488-4888) AT LEAST 48 HOURS PRIOR TO COMMENCING CONSTRUCTION IN ORDER THAT EXISTING UTILITIES IN THE AREA MAY BE FLAGGED AND STAKED. ALSO CONTACT THE SCHOOL MAINTENANCE DEPARTMENT TO LOCATE ANY PRIVATE UTILITIES IN AREA. CONTRACTOR SHALL USE ALL CARE NECESSARY WHEN WORKING IN AREAS KNOWN OR SUSPECTED TO CONTAIN UNDERGROUND UTILITIES, INCLUDING HAND DIGGING.

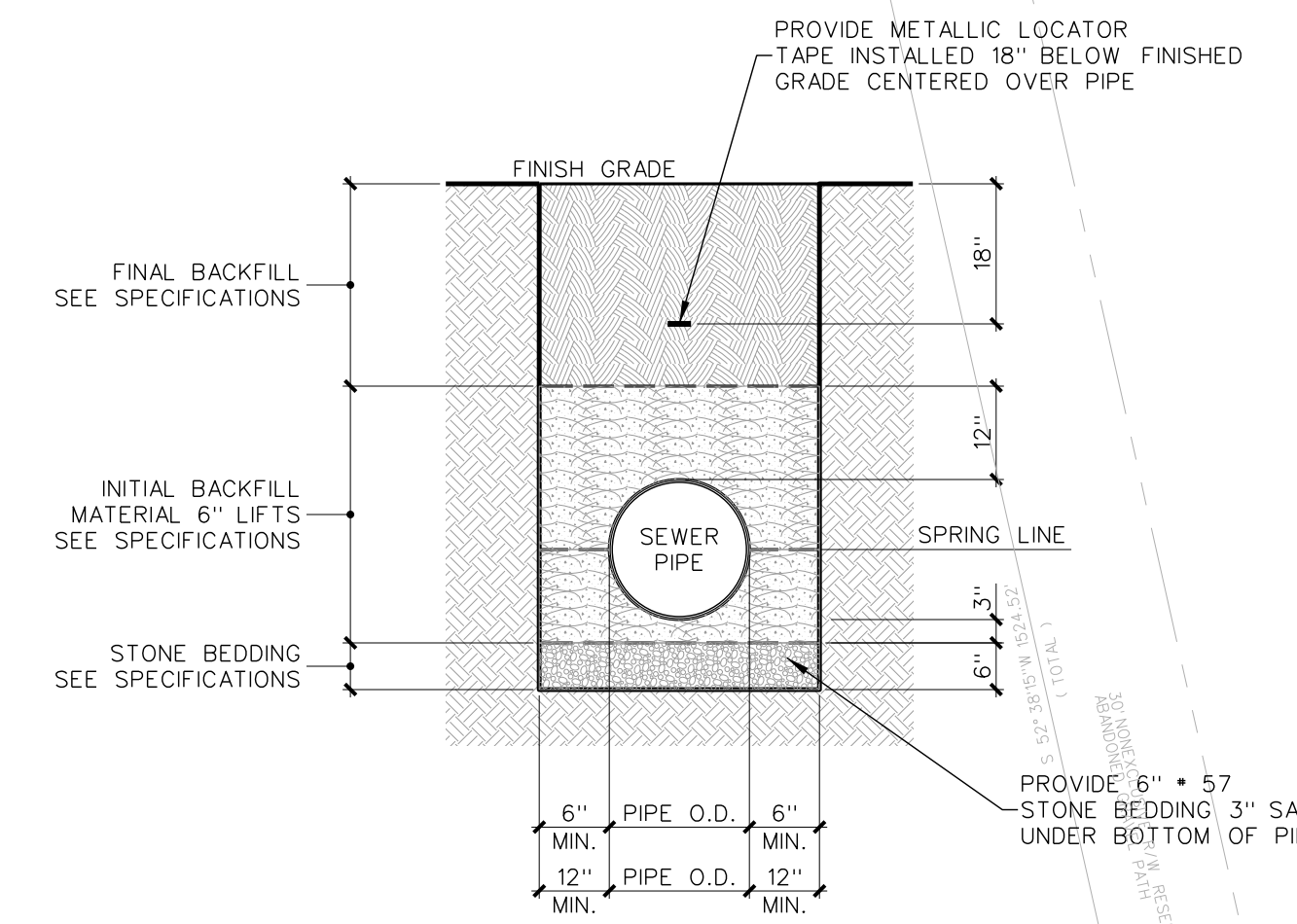
WATER SERVICE CONNECTED LOAD	
SUPPLY	1419.75 SFU
WASTE	683.5 WFU
DEMAND	269.0 gpm



001.3 CLEANOUT @ FINISH GRADE
 SCALE: 1"=10'-0"



001.2 WATER SEWER CROSSOVER DETAIL
 SCALE: 1"=10'-0"



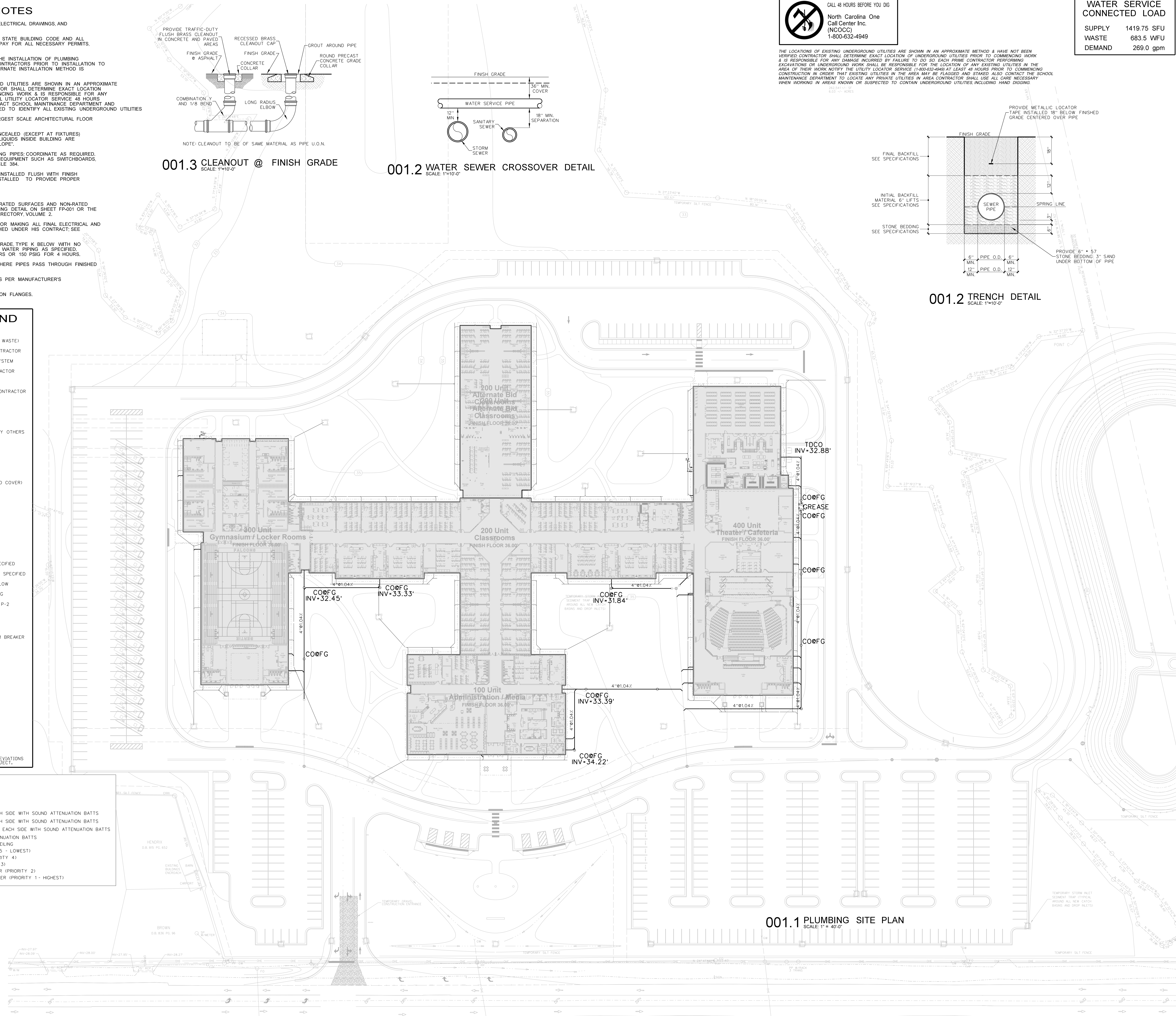
001.2 TRENCH DETAIL
 SCALE: 1"=10'-0"

PLUMBING LEGEND

- SANITARY SEWER (SOIL & WASTE)
- FUTURE SANITARY SEWER (SOIL & WASTE)
- SANITARY SEWER BY UTILITY CONTRACTOR
- FORCED MAIN SANITARY SEWER SYSTEM
- STORM SEWER BY UTILITY CONTRACTOR
- VENT PIPING
- WATER MAIN PIPING BY UTILITY CONTRACTOR
- COLD WATER
- HOT WATER SUPPLY
- HWR — HOT WATER RETURN
- W — EXISTING WATER MAIN OR WORK BY OTHERS
- G — GAS PIPING
- EXISTING SANITARY SEWER
- EXISTING WATER
- FCO FLOOR CLEAN OUT (BRASS)
- WCO WALL CLEAN OUT (CHROME PLATED COVER)
- BALL VALVE AS SPECIFIED
- CHECK, SWING GATE VALVE
- UNION
- ELBOW TURNED UP
- ELBOW TURNED DOWN
- TEE CONNECTION, OUTLET UP
- TEE CONNECTION, OUTLET DOWN
- WATER HAMMER ARRESTOR AS SPECIFIED
- COND — INSULATED CONDENSATE PIPING AS SPECIFIED
- SANITARY SEWER DIRECTION OF FLOW
- POINT OF CONNECTION TO EXISTING
- REFER TO DETAIL 202 ON SHEET P-2
- AV — AIR ADMITTANCE VALVE
- A.C. — ABOVE CEILING
- AFF — ABOVE FINISH FLOOR
- AFH — ANTI-FREEZE HYDRANT w/ VACUUM BREAKER
- CI — CAST IRON PIPE
- FD — FLOOR DRAIN
- FFE — FINISH FLOOR ELEVATION
- HB — HOSE BIBB w/ VACUUM BREAKER
- HD — HUB DRAIN
- MFR — MANUFACTURER
- SSMH — SANITARY SEWER MANHOLE
- VTR — VENT THROUGH ROOF
- UON — UNLESS NOTED OTHERWISE
- U.P. — UTILITY PLATFORM
- P.C. — PLUMBING CONTRACTOR
- G.C. — GENERAL CONTRACTOR
- M.C. — MECHANICAL CONTRACTOR
- E.C. — ELECTRICAL CONTRACTOR
- S.C. — SITE CONTRACTOR

WALL LEGEND

- 12" CMU WALL
- 8" CMU WALL
- 6" CMU WALL
- 8" METAL STUD WALL WITH GYPBOARD EACH SIDE WITH SOUND ATTENUATION BATTS
- 6" METAL STUD WALL WITH GYPBOARD EACH SIDE WITH SOUND ATTENUATION BATTS
- 3 5/8" METAL STUD WALL WITH GYPBOARD EACH SIDE WITH SOUND ATTENUATION BATTS
- DEMOUNTABLE PARTITION WITH SOUND ATTENUATION BATTS
- SMOKE TIGHT CONSTRUCTION WALLS AND CEILING
- ONE HOUR RATED FIRE BARRIER (PRIORITY 5 - LOWEST)
- ONE HOUR FIRE AND SMOKE BARRIER (PRIORITY 4)
- TWO HOUR RATED FIRE BARRIER (PRIORITY 3)
- TWO HOUR RATED FIRE AND SMOKE BARRIER (PRIORITY 2)
- THREE HOUR RATED FIRE AND SMOKE BARRIER (PRIORITY 1 - HIGHEST)



001.1 PLUMBING SITE PLAN
 SCALE: 1"=40'-0"

Hite associates
 ARCHITECTURE / ENGINEERING / TECHNOLOGY
 2600 Meridian Drive / Greenville, NC 27834 / tel (252) 757-0333

RECORD DRAWING
 Bertie High School
 Bertie County Schools
 716 US 13 North / NCDPS Unit 080 - School 312
 Windsor / Bertie County / North Carolina

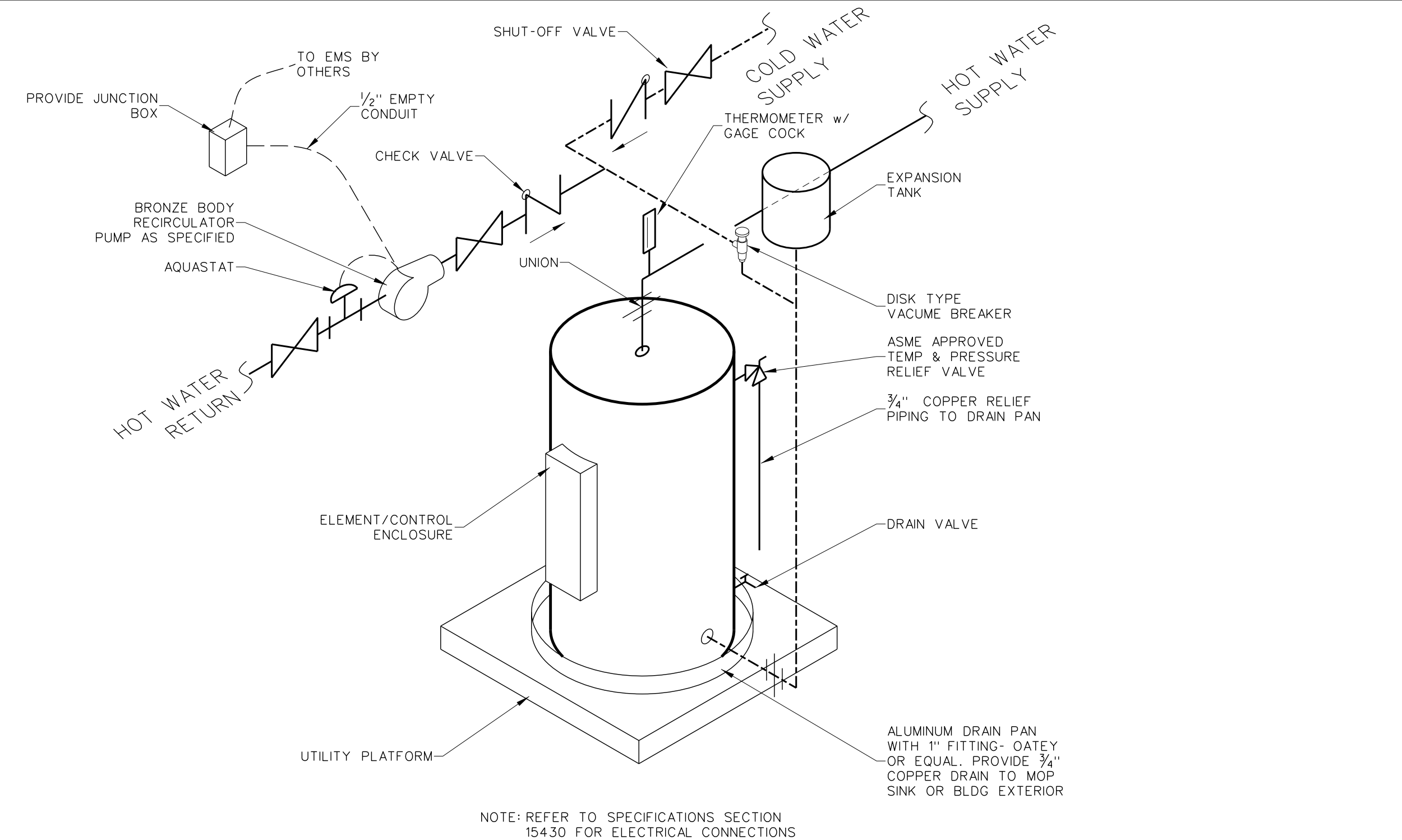
Project No. 21131
 Date: 28 March 2012
 Drawing no. P 001

GAS WATER HEATER SCHEDULE

TAG	SERVICE	CAP	IN	TEMP	RCVY	VENT	MFR / MODEL no. (weight)	STORAGE	PUMP	ELECT'L	NOTES
GWH-3	BLDG 300	-	3/4"	140	475	4"	LOCHINVAR "ARMOR" AWN400PM	LOCHINVAR RG-AD504	RP-3	120V 1PH 25A	1-3,7
GWH-4	KITCHEN	-	3/4"	140	475	4"	LOCHINVAR "ARMOR" AWN400PM	LOCHINVAR RG-AD504	RP-4	120V 1PH 25A	1-3,7

NOTES:
 1) MODEL NOS. INDICATED ARE LOCHINVAR EQUIPMENT-STATE INDUSTRIES, OR A.O. SMITH MEETING OR EXCEEDING SPECIFICATIONS ARE ACCEPTABLE SUBSTITUTES
 2) PROVIDE 5 YEAR WARRANTY
 3) REFERENCE SPECIFICATIONS SECTIONS 15400
 4) SEE DETAILS SHEETS P-003, P-504 & P-604
 5) PROVIDE BURNER FOR LP GAS, PROVIDE OWNER NATURAL GAS ORIFICE KIT FOR FUTURE CHANGEOVER
 6) PROVIDE 200 GALLON ASME STORAGE TANK-LOCHINVAR RJA-200 OR EQUAL
 7) PROVIDE MANUFACTURERS CONCENTRIC KIT.

ABBREVIATIONS:
 CAP - STORAGE CAPACITY (gal)
 IN - GAS INPUT (MBTU/H)
 GPH - GALLONS PER HOUR
 TEMP - INW OUTPUT TEMPERATURE (deg F)
 RCVY - RECOVERY @ 100 deg F RISE (gph)



002.6 ELECTRIC WATER HEATER INSTALLATION DETAIL
SCALE: none

FIXTURE CONNECTION SCHEDULE

ABBR	FIXTURE	WASTE	VENT	C.W.	H.W.	REMARKS
WC-2	WATER CLOSET (H/C)	4"	2"	1"	-	16 1/8" BOWL HT. 17" w/ SEAT MOUNT RIM @ 20" AFF. 14" FOR H/C
URN	URNAL	2"	2"	1"	-	
LAV	WALL HUNG LAVATORY	2"	1 1/2"	1/2"	1/2"	STUDENT/STAFF TOILETS
LAV-2	WALL HUNG LAVATORY	2"	1 1/2"	1/2"	1/2"	STUDENT/STAFF TOILETS
LAV-3	WALL HUNG LAVATORY	2"	1 1/2"	1/2"	1/2"	KITCHEN
USNK	UTILITY PLATFORM SINK	2"	1 1/2"	1/2"	1/2"	SEE SCHEDULE
SNK	STAINLESS STEEL SINK	2"	1 1/2"	3/8"	3/8"	TYPICAL CLASSROOM / WORK ROOM SINK
SNK-4	STAINLESS STEEL SINK	2"	1 1/2"	3/8"	3/8"	TYPICAL FOODS SINK
MOP	MOP RECEPTOR	2"	1 1/2"	3/4"	3/4"	SEE ARCHT DWGS FOR DETAILS
AFH	ANTI-FREEZE HYDRANT	-	-	3/4"	-	PROVIDE VACUUM BREAKER
AFH-2	H8CW CAN WASH	-	-	3/4"	3/4"	PROVIDE VACUUM BREAKER
EW-2	ELECTRIC WATER COOLER	2"	1 1/2"	1/2"	-	SEE ARCHT DWGS FOR MOUNTING HTS.
ICE	ICE BOX FOR REFRIGERATOR	-	-	1/2"	-	VERIFY MOUNTING HT WITH MFR
WASH	WASHING MACHINE BOX	2"	1 1/2"	1/2"	1/2"	VERIFY MOUNTING HT WITH MFR
WASH-2	WASHING MACHINE CONNECTION	-	-	3/4"	3/4"	LAUNDRY ROOM WASHING MACHINE CONNECTION
HB	HOSE BIBB	-	-	3/4"	-	PROVIDE VACUUM BREAKER
EMSH	EMERGENCY SHOWER	1 1/4"	1 1/2"	-	1/4"	SCIENCE CLASSROOM EMERGENCY SHOWER
SHWR	HANDICAP SHOWER	-	-	1/2"	1/2"	HANDICAP SHOWER
SHWR-2	STANDARD SHOWER	-	-	1/2"	1/2"	STANDARD SHOWER
EYE	EYE WASH	-	-	1/2"	-	PREP ROOM EYE WASH

GENERAL NOTES:
 (1) NOT ALL FIXTURES WILL BE USED ON THIS PROJECT.

EWH SCHEDULE

TAG	SERVICE	CAP	ELEMENT	TEMP	RCVY	MFR / MODEL no.	PUMP	ELECT'L	NOTES
EWH-1A	BLDG 100	50	(2) 4500 W	140	21	A.O. SMITH No. PCT-52	RP-1	208V 1PH 21.6A	1,2,4
EWH-2A	BLDG 200	119	(2) 4500 W	140	21	A.O. SMITH No. PCT-120	RP-2A	208V 1PH 21.6A	1-3,5
EWH-2B	BLDG 200	30	(2) 4500 W	140	21	A.O. SMITH No. PCT-30	RP-2B	208V 1PH 21.6A	1-3
EWH-2C	BLDG 200	119	(2) 4500 W	140	21	A.O. SMITH No. PCT-120	RP-2C	208V 1PH 21.6A	1-3,5
EWH-2D	BLDG 200(ALT)	50	(2) 4500 W	140	21	A.O. SMITH No. PCT-52	RP-2D	208V 1PH 21.6A	1,2,4
EWH-2E	BLDG 200(ALT)	119	(2) 4500 W	140	21	A.O. SMITH No. PCT-120	RP-2E	208V 1PH 21.6A	1-3,5
EWH-3A	BLDG 300	50	(2) 4500 W	140	21	A.O. SMITH No. PCT-52	RP-3	208V 1PH 21.6A	1,2,4
EWH-4A	BLDG 400	30	(2) 4500 W	140	21	A.O. SMITH No. PCT-30	RP-4A	208V 1PH 21.6A	1-3
EWH-4B	BLDG 400	30	(2) 4500 W	140	21	A.O. SMITH No. PCT-30	RP-4B	208V 1PH 21.6A	1-3

NOTES:
 1) STATE INDUSTRIES OR LOCHINVAR MEETING OR EXCEEDING SPECIFICATIONS ARE ACCEPTABLE SUBSTITUTES
 2) REFERENCE SPECIFICATIONS SECTIONS 15440
 3) SEE DETAIL P-002.1 FOR ACCESSORIES
 4) REQUIRES TWO PUMPS FOR DUAL LOOP SEE DETAIL P-304.5
 5) T&P VALVE PROVIDED SEPARATELY BY PLUMBING CONTRACTOR.

ABBREVIATIONS:
 CAP - STORAGE CAPACITY (gal)
 ELEMENT - (gph) WATTAGE
 TEMP - HW OUTPUT TEMPERATURE (deg F)
 RCVY - RECOVERY @ 100 deg F RISE (gph)

PUMP SCHEDULE

TAG	SERVICE	GPM	HEAD	WATTS	RPM	ELECT	FLA	CONTROL	MFR/MODEL	NOTES
RP-1A	EWH-1A	5	3.5	39	2800	115V/1PH	0.39	EMS	BELL & GOSSETT NBF-8S/LW	1-3
RP-2A	EWH-2A	5	3.5	39	2800	115V/1PH	0.39	EMS	BELL & GOSSETT NBF-8S/LW	1-3
RP-2B	EWH-2B	5	3.5	39	2800	115V/1PH	0.39	EMS	BELL & GOSSETT NBF-8S/LW	1-3
RP-2C	EWH-2C	5	3.5	39	2800	115V/1PH	0.39	EMS	BELL & GOSSETT NBF-8S/LW	1-3
RP-2D	EWH-2D (ALT)	5	3.5	39	2800	115V/1PH	0.39	EMS	BELL & GOSSETT NBF-8S/LW	1-3
RP-2E	EWH-2E (ALT)	5	3.5	39	2800	115V/1PH	0.39	EMS	BELL & GOSSETT NBF-8S/LW	1-3
RP-3	GWH-3	5	3.5	39	2800	115V/1PH	0.39	EMS	BELL & GOSSETT NBF-8S/LW	1-3
RP-3A	EWH-3A	5	3.5	39	2800	115V/1PH	0.39	EMS	BELL & GOSSETT NBF-8S/LW	1-3
RP-4	GWH-4	5	3.5	39	2800	115V/1PH	0.39	EMS	BELL & GOSSETT NBF-8S/LW	1-3
RP-4A	EWH-4A	5	3.5	39	2800	115V/1PH	0.39	EMS	BELL & GOSSETT NBF-8S/LW	1-3
RP-4B	EWH-4B	5	3.5	39	2800	115V/1PH	0.39	EMS	BELL & GOSSETT NBF-8S/LW	1-3

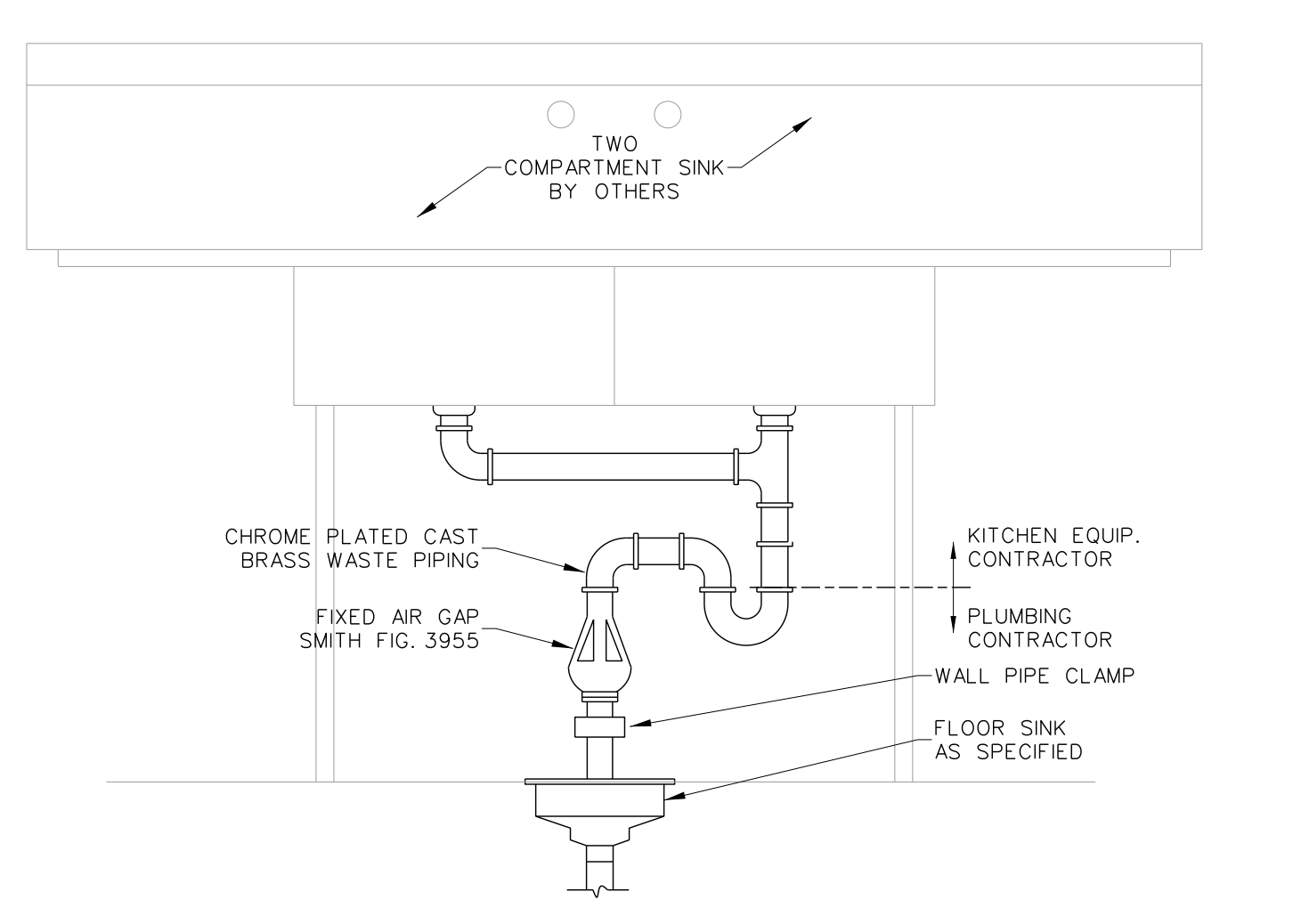
NOTES:
 (1) REFERENCE SPECIFICATION SECTION 15750.
 (2) ALL PUMPS SPECIFIED ARE BELL & GOSSETT, EQUAL BY TACO
 (3) PROVIDE FOR EWH AS REQUIRED BY SCHEDULE

ABBREVIATIONS:
 HEAD - FRICITION LOSS (ft)
 FLA - PUMP MOTOR FULL LOAD AMPS
 GPM - FLOW RATE

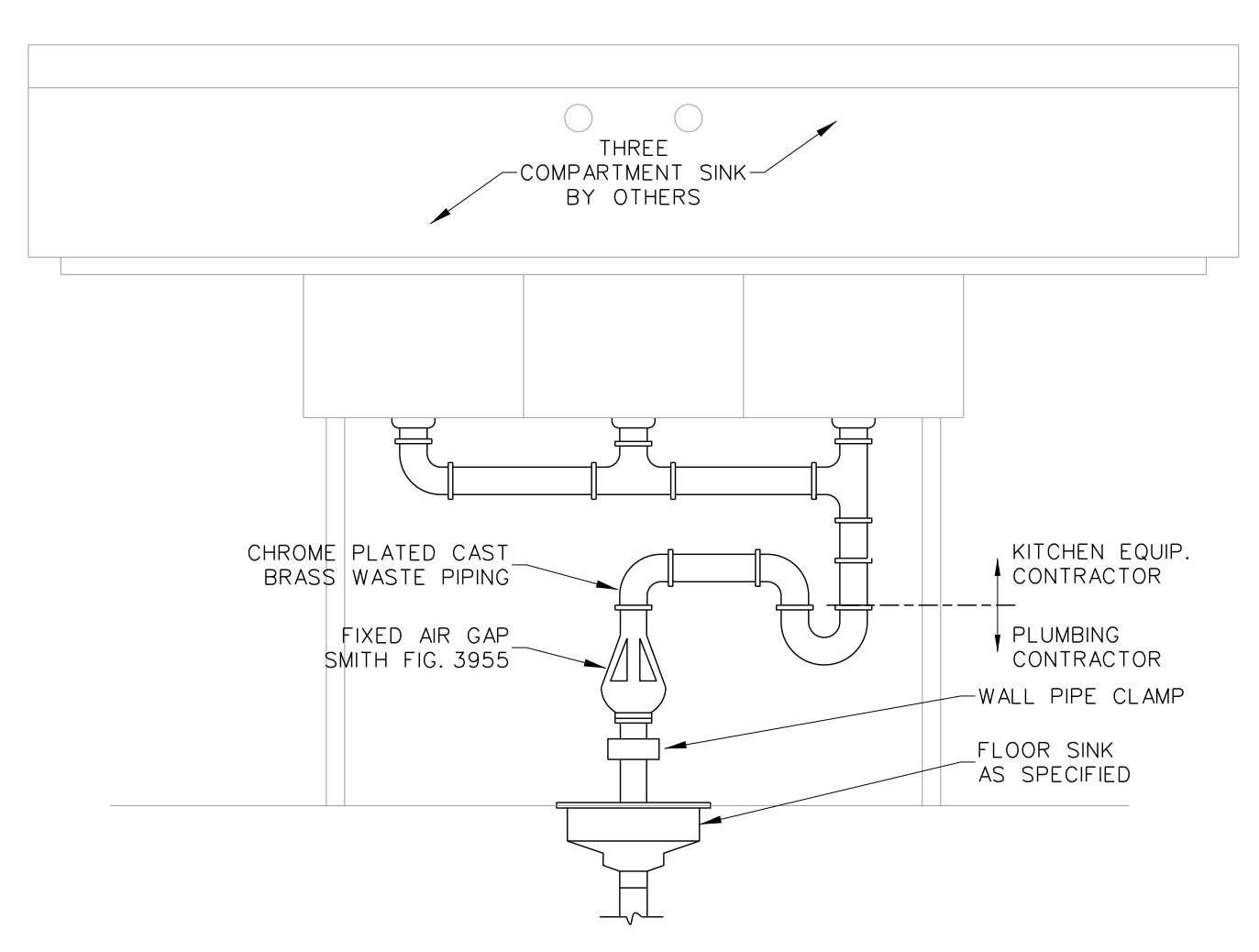
FIXTURE SCHEDULE

LABEL	PART	MFR	MODEL	DESCRIPTION
WC-2 ADA ACCESSIBLE ADULT	BOWL	KOHLER	No. K-4302	"HIGHCREST" WATER-GUARD ELONGATED TOILET w/ 16 GALLON FLUSH, 10" ROUGH-IN, SIPHON JET
	TOP SPUD	KOHLER	No. K-5204B	1/2" TOP SPUD, BOLT CAPS
	SEAT	KOHLER	No. K-4670-CA	OPEN FRONT SEAT w/ SELF SUSTAINING CHECK HINGE.
	FLUSH VALVE	SLOAN	No. 111	"ROYAL" WITH HANDLE ON OPEN SIDE OF STALL.
URN ADA ACCESSIBLE	CAST IRON FLANGE	JONES STEPHENS	No. CA7-460	4" x 6" CAST IRON CLOSET FLANGE
	URNAL	KOHLER	No. K-5016-T	WATER-GUARD w/ SIPHON JET ACTION 3/4" TOP SPUD INLET, 2" IPS OUTLET, MEETS ADA & VOLUME 1-C REQUIREMENTS.
LAV ADA ACCESSIBLE	WALL CARRIER	SMITH	No. 637	MOUNT URN PER ADA REQUIREMENTS FOR H/C ACCESSIBILITY
	FLUSH VALVE	SLOAN	No. 186-1-YB	ROYAL 186-1-YB, MAXIMUM HANDLE HEIGHT PER ARCHITECTURAL DETAIL
	LAVATORY	KOHLER	No. K-2905-4	"FARMINGTON" LAVATORY ENAMELED CAST IRON (19 1/4" x 16 1/4") (0.5gpm) SINGLE LEVER OR EQUAL BY KOHLER.
	FAUCET	DELTA	No. 501-WF-HGM-HDF	3/8" CAST BRASS SWEAT w/ LOOSE KEY STOPS
LAV-2 ADA ACCESSIBLE	SUPPLY	McGUIRE	No. H70LK	3/8" CAST BRASS SWEAT w/ LOOSE KEY STOPS
	P-TRAP	McGUIRE	No. PW2150	PROWRAP TRAP w/ INCLUDED PWV8902, 1/2" ADJ. CHROME POLISHED CAST BRASS TRAP w/ INTEGRAL CLEANOUT
	STRAINER	McGUIRE	No. 155A	METAL GRID STRAINER
	LAVATORY	KOHLER	No. K-2867	WALL HUNG LAVATORY ENAMELED CAST IRON (20" x 18") w/ INTEGRAL BACKSPASH "HUDSON"
LAV-3 ADA ACCESSIBLE	WALL CARRIER	SMITH	No. 800	SEE ARCHITECTURAL PLANS FOR MOUNTING HEIGHT TYP. STUDENT GANG TOILET LAVATORY
	FAUCET	DELTA	No. 501-WF-HGM-HDF	(0.5gpm) SINGLE LEVER OR EQUAL BY KOHLER.
	SUPPLY	McGUIRE	No. H70LK	3/8" CAST BRASS SWEAT w/ LOOSE KEY STOPS
	P-TRAP	McGUIRE	No. PW2150	PROWRAP TRAP w/ INCLUDED PWV8902, 1/2" ADJ. CHROME POLISHED CAST BRASS TRAP w/ INTEGRAL CLEANOUT
SNK ADA ACCESSIBLE	STRAINER	McGUIRE	No. 155A	METAL GRID STRAINER
	LAVATORY	KOHLER	No. K-12638	"MORNINGSIDE" WALL HUNG WHEELCHAIR LAVATORY VITREOUS CHINA (20" x 27")
	WALL CARRIER	SMITH	No. 800	SEE ARCHITECTURAL PLANS FOR MOUNTING HEIGHT
	FAUCET	KOHLER	No. K-13666-CP	ELECTRONIC INFRARED SENSOR 5 3/8" GOOSENECK SPOUT (2.0gpm)
SNK-4 ADA ACCESSIBLE	POWER	KOHLER	No. K-13667	PLUG IN POWER
	SUPPLY	KOHLER	No. K-13711-PCP	3/8" CAST BRASS SWEAT w/ LOOSE KEY STOPS AND N.P.T. CONNECTION
	DRAIN	KOHLER	No. K-13885CP	1/2" CAST BRASS w/ 6" OFFSET GRID AND GRID DRAIN
	P-TRAP	KOHLER	No. K-8999CP	ADJUSTABLE CAST BRASS CHROME POLISHED w/ INTEGRAL CLEANOUT (1 1/4" INLET AND 1/2" OUTLET)
SI-1	SOLIDS INTERCEPTOR	ZURN	No. Z-180YR	FLOOR-TYPE PLASTER TRAP/SOLIDS INTERCEPTOR INSTALLED w/ MANUFACTURER'S RECOMMENDED CLEARANCES.
	SOLIDS INTERCEPTOR	ZURN	No. Z-1175-YR	DURA-COATED IRON HAIR AND SOLIDS INTERCEPTOR INSTALLED w/ MANUFACTURER'S RECOMMENDED CLEARANCES.
USNK	UTILITY SINK	FIAT	No. P-1	FREE STANDING 23"x25" SINK WITH LEG LEVELERS, FLOOR ANCHORS PRE-DRILLED DECK WITH 4" CENTERS
	FAUCET	FIAT	No. A-1	DECK FAUCET
MOP	MOP SINK	FIAT	No. MSB-3624	MOP SINK WITH STRAINER
	BUMPERGUARD	FIAT	No. E-88-AA-24836	TWO STAINLESS STEEL 24" AND 36" BUMPERGUARD
EWC-2 ADA ACCESSIBLE	FAUCET	FIAT	No. 830-AA	SERVICE FAUCET WALL MOUNTED w/ WALL BRACE, THREADED SPOUT, PAL HOOK, AND CHROME PLATED FINISH.
	ELEC. WATER COOLER	ELKAY	No. E25TL-B-C	SPLIT-LEVEL BARRIER-FREE ELECTRIC WATER COOLER w/ WALL MOUNTED BRACKET 17 GA P-TRAP w/ CO PLUG & ACCESSIBLE SHUT-OFF VALVE. FINISH SELECTED BY ARCHITECT. COORDINATE RECEPTACLE w/ E.C. 5 YEAR WARRANTY. ADA COMPLIANT, OR EQUAL BY BASIS.
EMSH	SHOWER/ EYEWASH	BRADLEY	No. S19-310F	EMERGENCY SHOWER/EYEWASH COMBINATION WITH 10" DIAMETER STAINLESS STEEL SHOWER HEAD AND EYEWASH BOWL & PREFORATED SPRAY HEAD, PROVIDE WITH "NAVIGATOR" S19-2100 EFX25 EMERGENCY THERMOSTATIC MIXING VALVE
AFH	ANTI-FREEZE HYDRANT	WOODFORD	No. 65PE	ANTI-FREEZE AUTO-DRAIN WALL HYDRANT WITH VACUUM BREAKER, LOOSE KEY OPERATION, & ONE-PIECE VALVE PLUNGER. PC SHALL BE RESPONSIBLE FOR PROTECTION OF AFH DURING MASONRY CONSTRUCTION.
AFH-2	ANTI-FREEZE HYDRANT	WOODFORD	No. HC67	FREEZELESS HYDRANT w/ 3/4" HOT & COLD WATER HOSE CONNECTIONS, CHECK VALVES, & MIXER VALVE.
EYE	EYEWASH	BRADLEY	No. S19-270HD	WALL MOUNTED HAND-HELD HOSE SPRAY w/ NAVIGATOR S19-2000 EFX8 MV.
HB	HOSE BIBB	WOODFORD	No. 24CP	CHROME-PLATED INDOOR COMMERCIAL HOSE BIBB w/ LOOSE TEE KEY HANDLE & VACUUM BREAKER.
ICE	ICE MAKER BOX	OATEY	No. 38823	FLANGED ICE MAKER BOX w/ SHUT-OFF VALVE, PROVIDE 1/4" COPPER CONNECTION AS REQUIRED.
FD-1	FLOOR DRAIN	SMITH	No. 2005-B	NICKEL BRONZE PLATED 6" STRAINER IN SQUARE METAL BASE
FD-2	FLOOR DRAIN	SMITH	No. 2005-B	NICKEL BRONZE PLATED 6" STRAINER IN SQUARE METAL BASE WITH TRAP PRIMER.
FD-3	FLOOR DRAIN	SMITH	No. 2005-B	NICKEL BRONZE PLATED 6" STRAINER IN SQUARE METAL BASE
FD-4	FLOOR DRAIN	SMITH	No. 3581-NB	NICKEL BRONZE FUNNEL.
FD-5	FLOOR DRAIN	SMITH	No. 2270	DUCO CAST IRON BODY AND LOOSE BAR GRATE UTILITY PLATFORM DRAIN w/ TRAP PRIMER
FD-6	FLOOR DRAIN	WADE	No. 1200-127	SHALLOW SUMP FLOOR DRAIN w/ NICKEL BRONZE VENEER TOP AND ALUMINUM SEDIMENT BUCKET
FS	FLOOR SINK	SMITH	No. 3004-12	"SAN-CEPTOR" 12" Wx10" D w/ HALF-GRATE FOR INDIRECT WASTE DRAIN RECEPTOR OR EQUAL BY KOHLER.
CO @ FG	CLEANOUT	SMITH	No. 4470	CAST BRONZE RECESSED CLEANOUT PLUG
FCO	FLOOR CLEANOUT	WADE	No. 6003	CAST IRON CLEANOUT w/ ADJUSTABLE HOUSING & NICKLE BRONZE TOP.
TDCO	TRAFFIC DUTY CLEANOUT	WADE	No. 60042	CAST IRON CLEANOUT w/ ADJUSTABLE HOUSING & NICKLE BRONZE TOP.
WCO	WALL CLEAN OUT	WADE	No. 8564-E	CAST IRON CLEANOUT TEE WITH SPOUT INLET / OUTLET AND THREADED BRASS COUNTERSUNK PLUG w/ 1/4" TAP
WASH	WASH UTILITY BOX	PROSET	No. PS/PV 120-08	ROUND STAINLESS STEEL ACCESS COVER WITH 1/4" - 20 x 3/2" CENTER SCREW
WASH-2	HOSE BIBB	WOODFORD	No. 24P	1 HOSE BIBB EACH FOR HOT & COLD WATER, BRASS HOSE BIBB w/ LOOSE TEE KEY OPTION AND VACUUM BREAKER.
SHWR ADA ACCESSIBLE	SHOWER	SYMMONS	No. S-96-500-NCHB24	TEMPROL HANDICAP SHOWER UNIT w/ 2.27gpm FREE FLOW HEAD w/ 24" CHROME HEAD MOUNT BAR
SHWR-2	DRAIN	PLASTIC ODDITIES	No. PBR-406	LOW PROFILE SHOWER DRAIN w/ STAINLESS STEEL STRAINER
SHWR-2	SHOWER	SYMMONS	No. S-96-1-295	TEMPROL SHOWER UNIT w/ ADJUSTABLE 2.27gpm FREE FLOW HEAD w/ 24" CHROME HEAD MOUNT BAR
TV	TEMPERING VALVE	WATTS	No. MMV-M1	POINT OF USE TEMPERING VALVE, SET AT 10F, INSTALL ABOVE CEILING (TYPICAL) UNLESS OTHERWISE NOTED

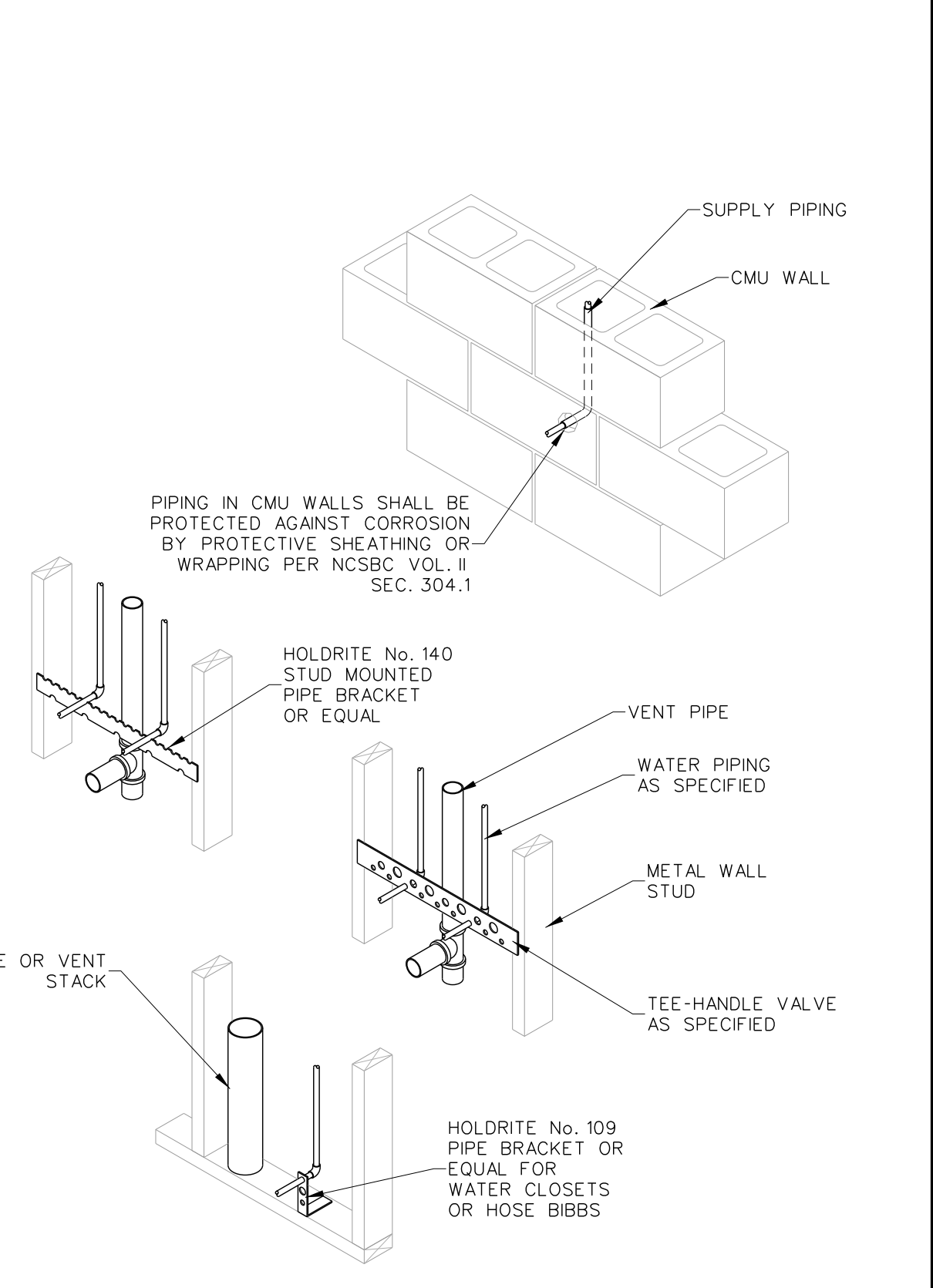
SEE ALSO SPECIFICATION SECTION 15440



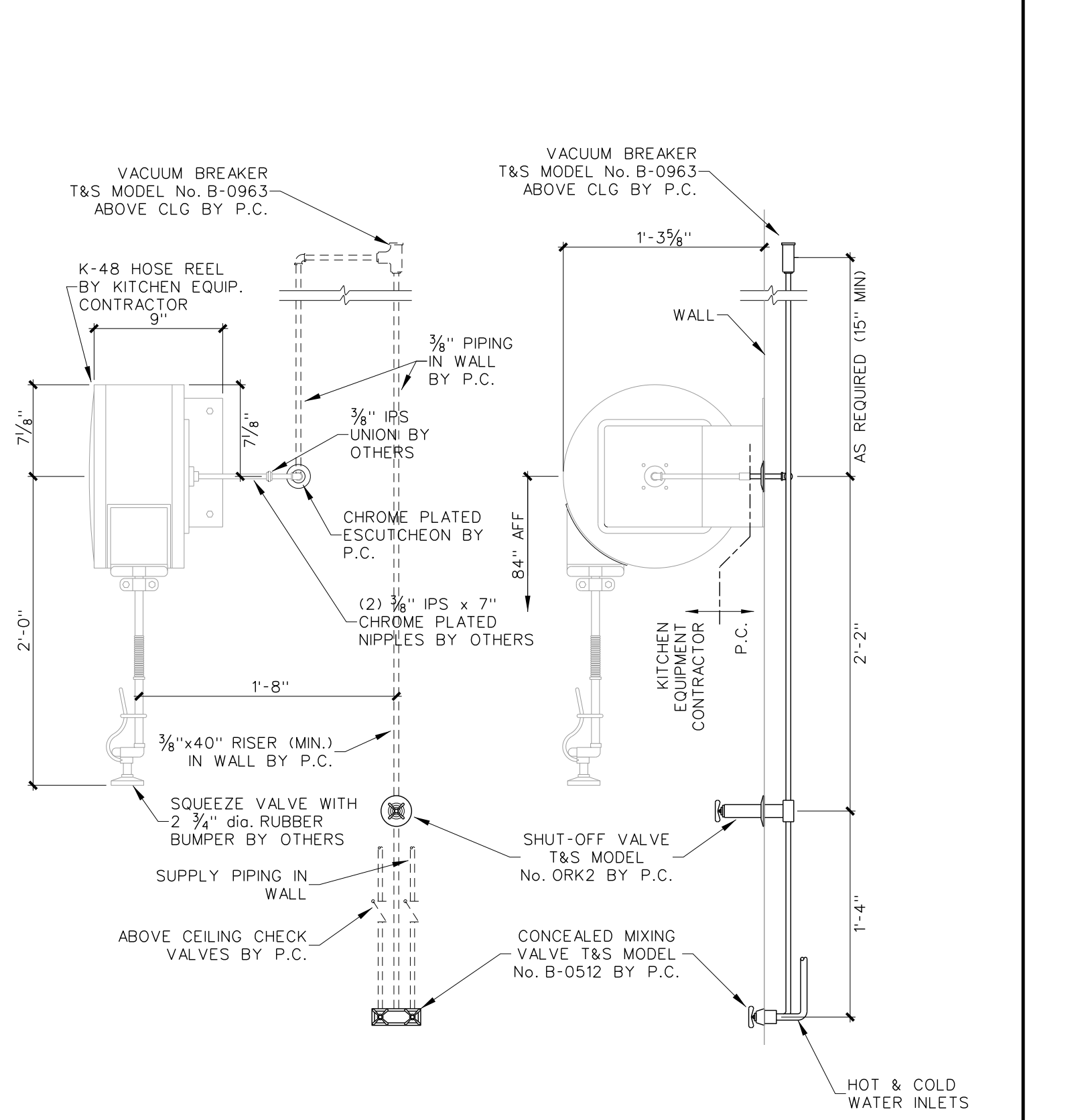
002.5 TWO POT SINK DETAIL
SCALE: none



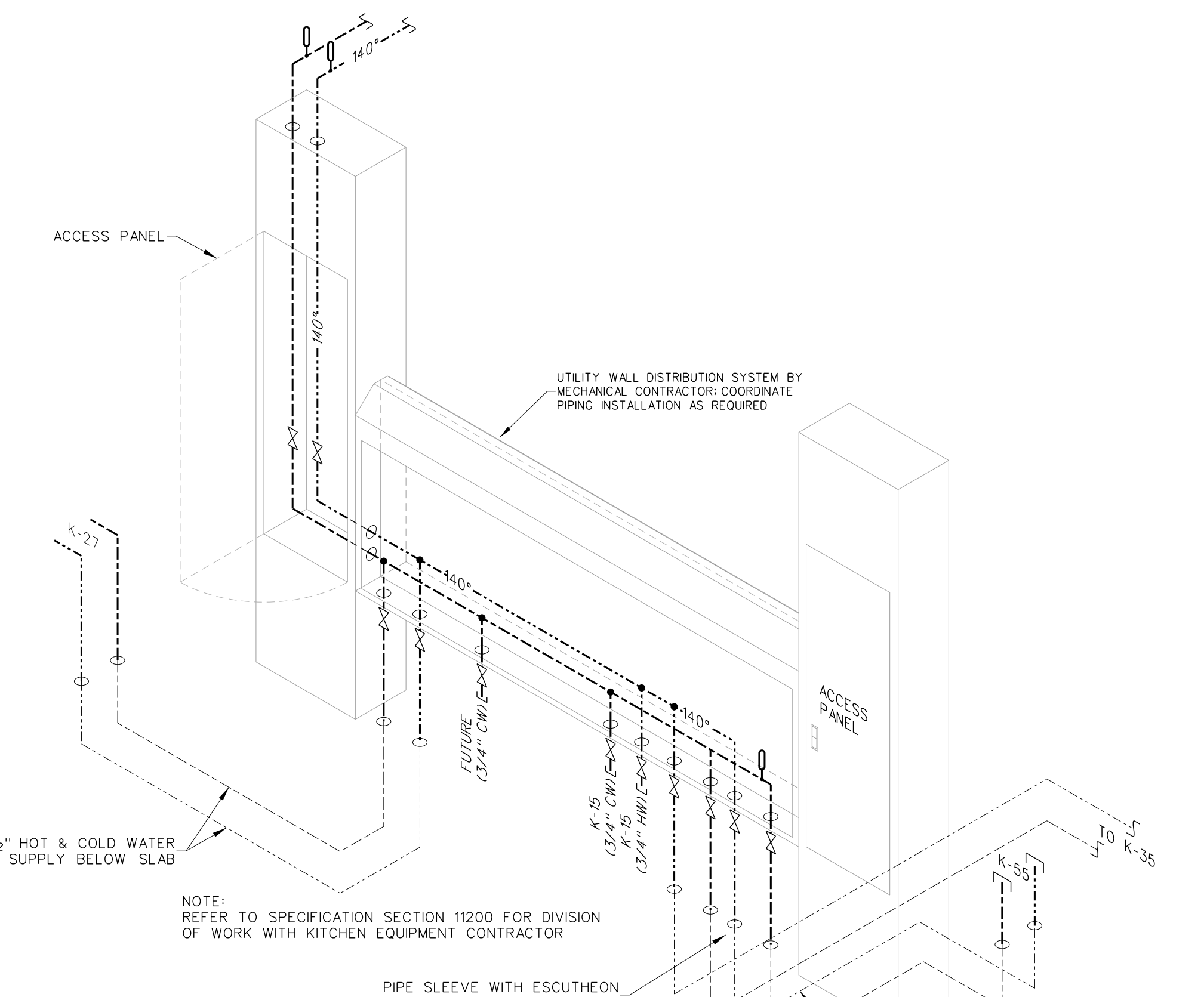
002.4 THREE POT SINK DETAIL
SCALE: none



002.3 PIPING ROUGH-IN DETAIL
SCALE: none



002.2 HOSE REEL INSTALLATION DETAIL
SCALE: none



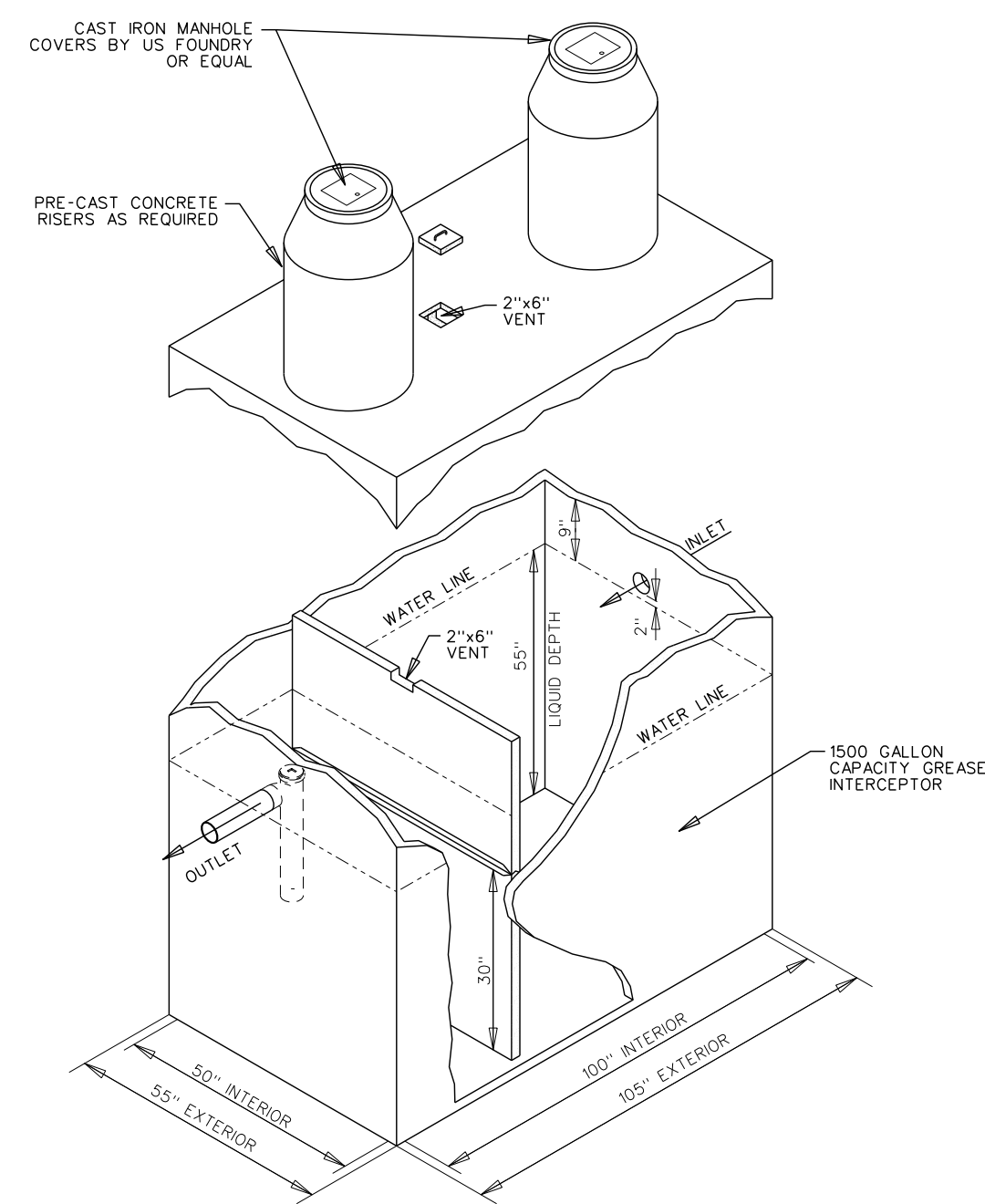
002.1 UTILITY DISTRIBUTION DETAIL
SCALE: none

Project No: 21131
 Date: 28 March 2012
 Drawing No: P 002

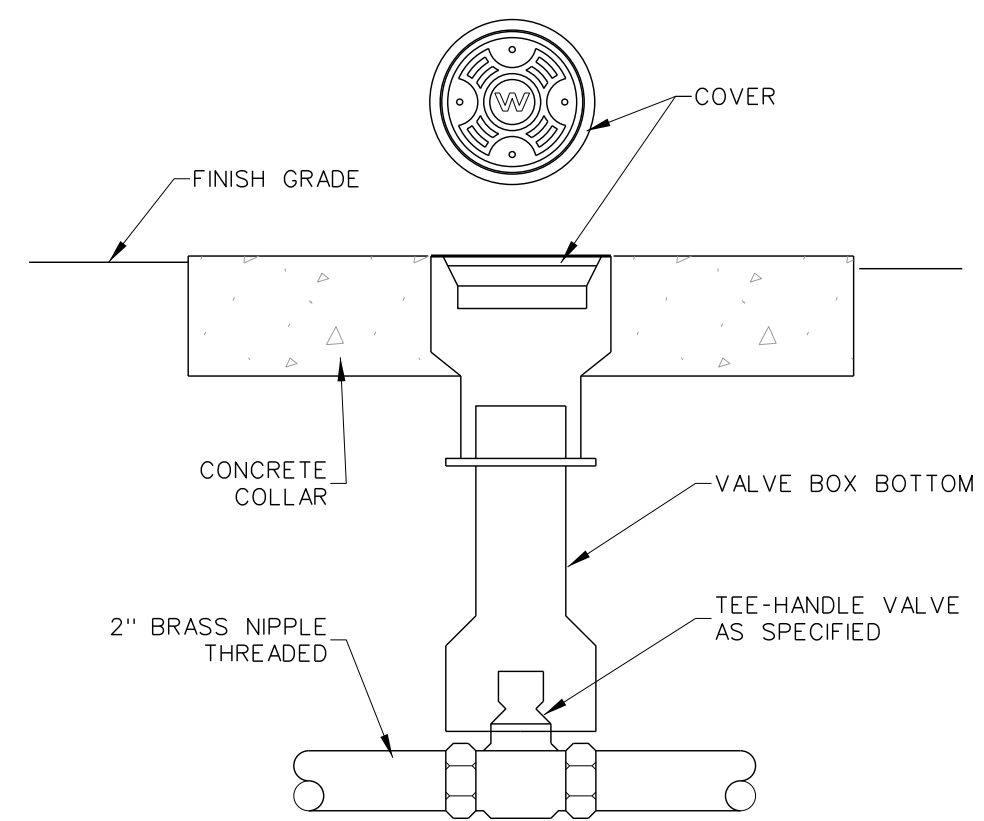
Bertie County Schools
 Bertie County Schools
 Unit 080 - School 312
 Wintress / Bertie County / North Carolina

RECORD DRAWING
 RECORD DRAWING
 RECORD DRAWING

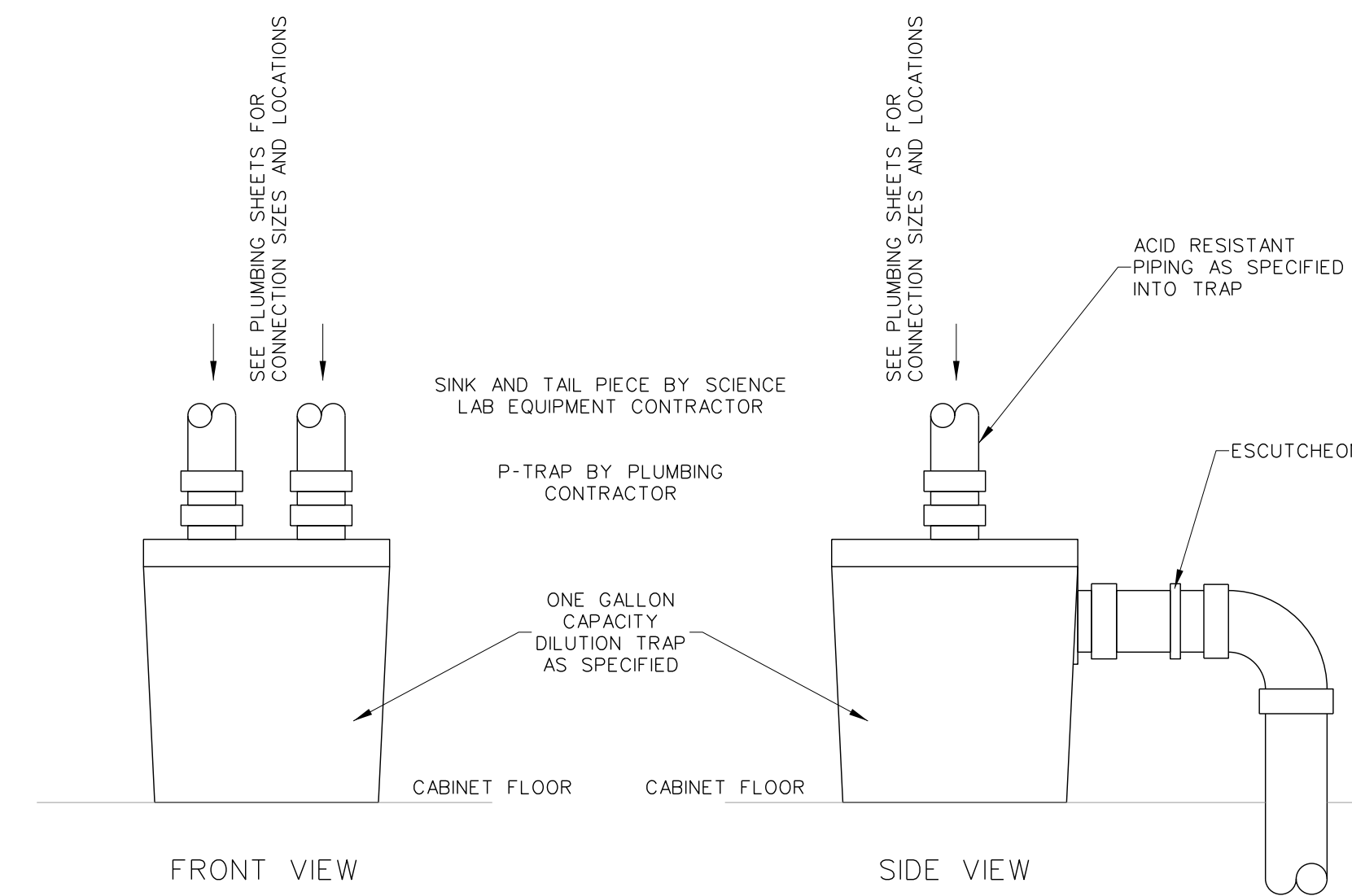
Hite associates
 ARCHITECTURE / ENGINEERING / TECHNOLOGY
 2600 Meridian Drive / Greenville, NC 27834 / tel (252) 757-0333



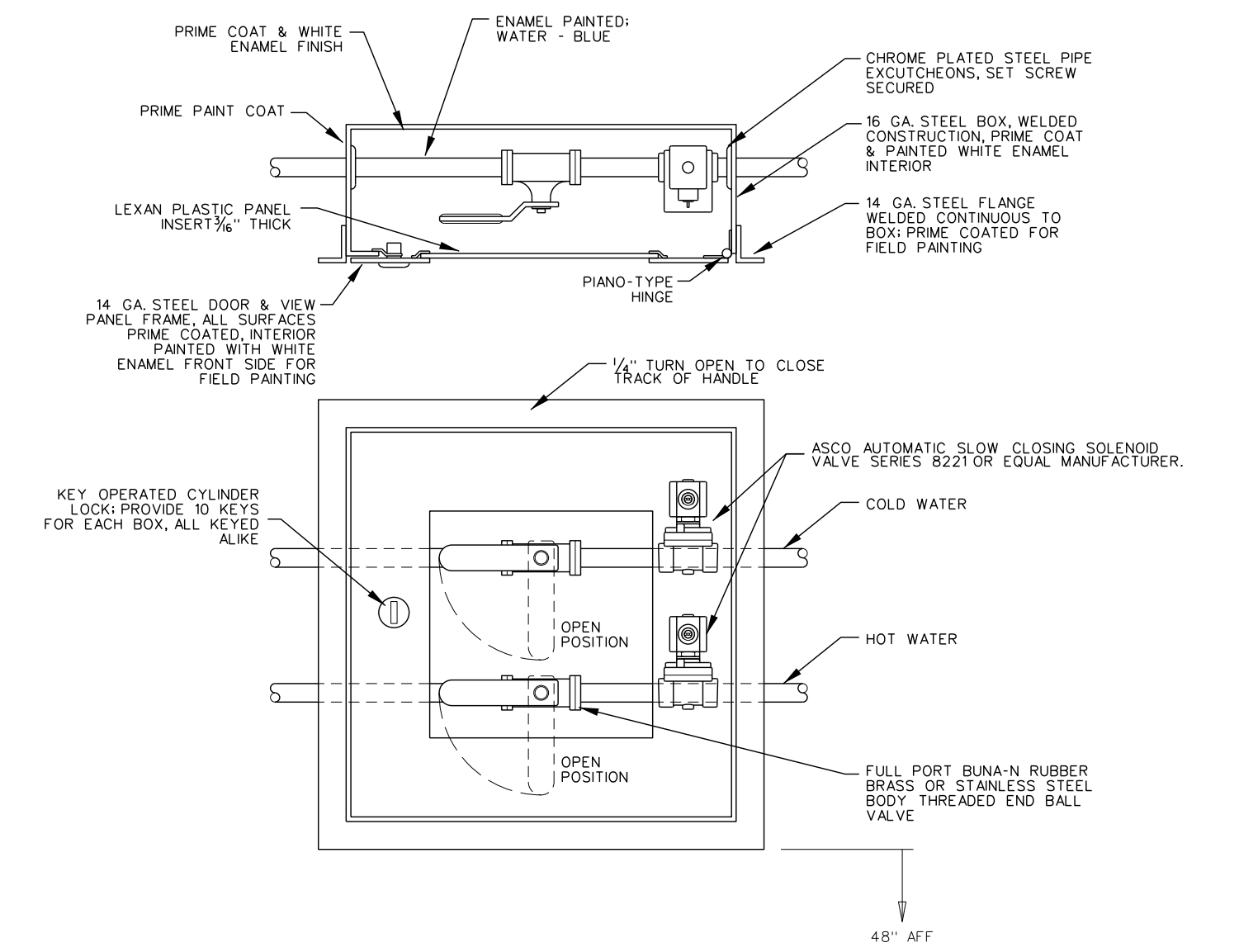
003.14 GREASE INTERCEPTOR INSTALLATION DETAIL
SCALE: none



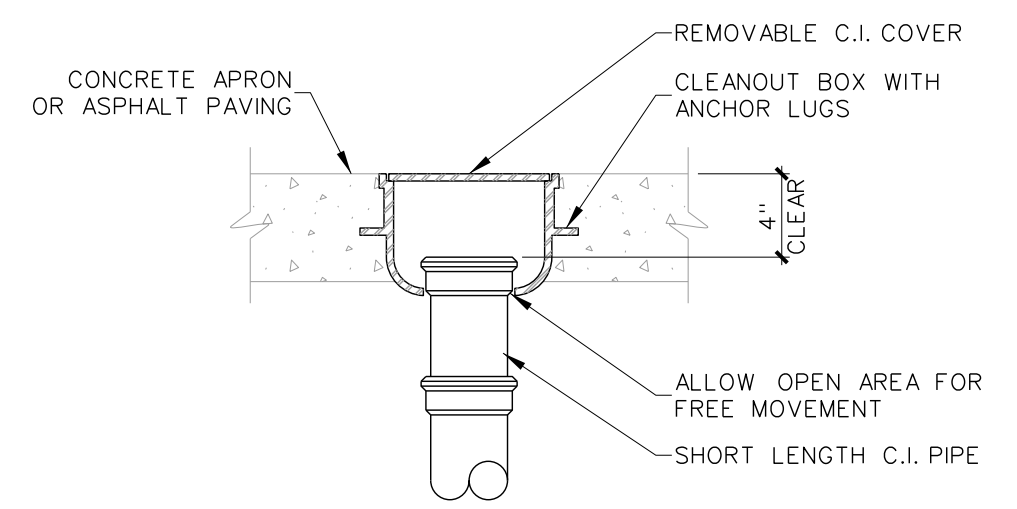
003.13 VALVE BOX INSTALLATION DETAIL
SCALE: none



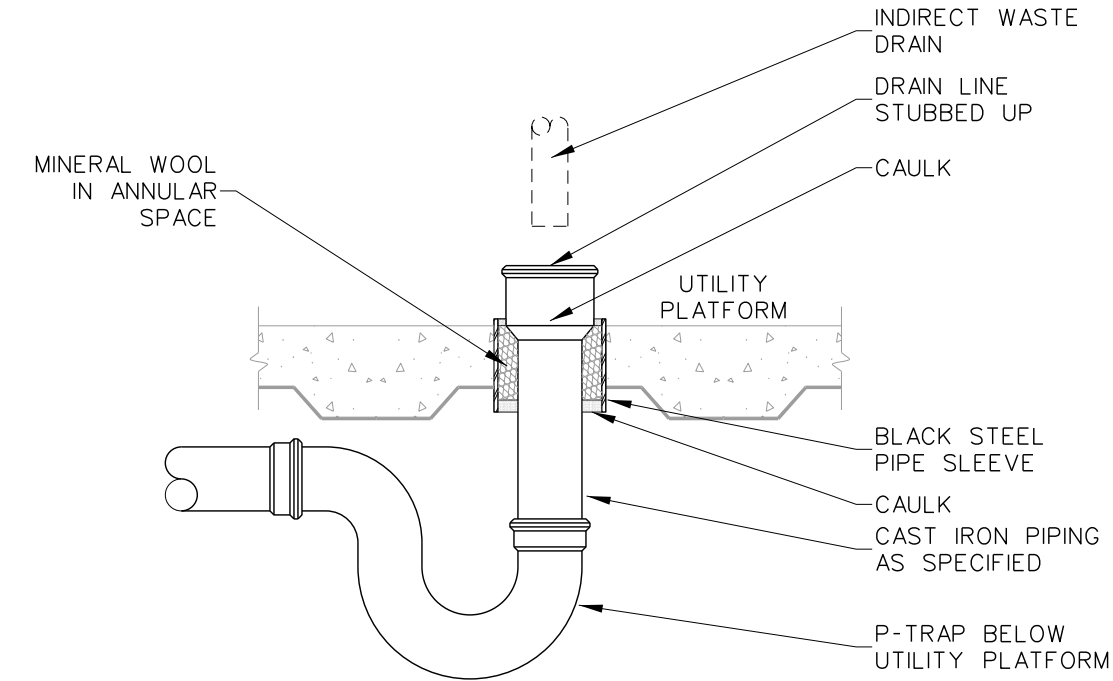
003.12 \"LAB\" TRAP INSTALLATION DETAIL
SCALE: none



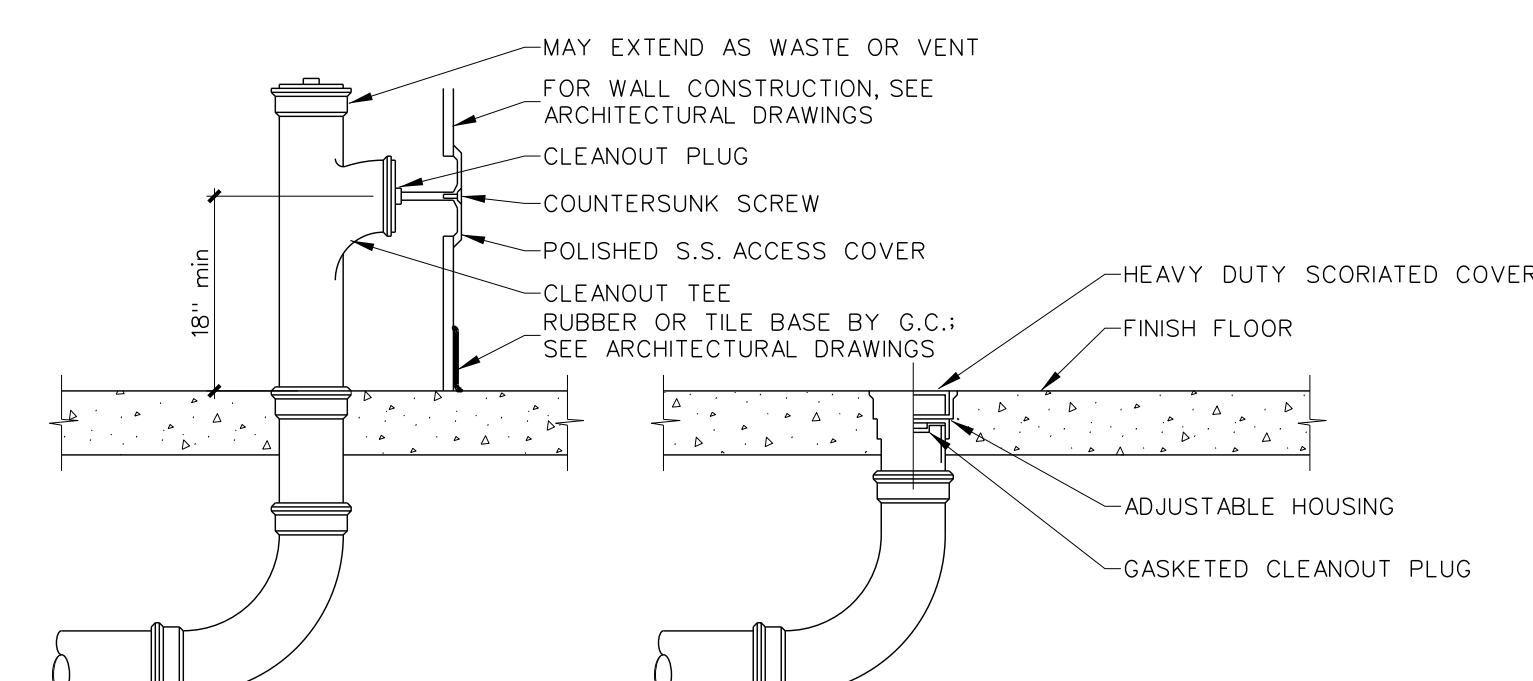
003.11 SERVICE VALVE CABINET DETAIL
SCALE: none



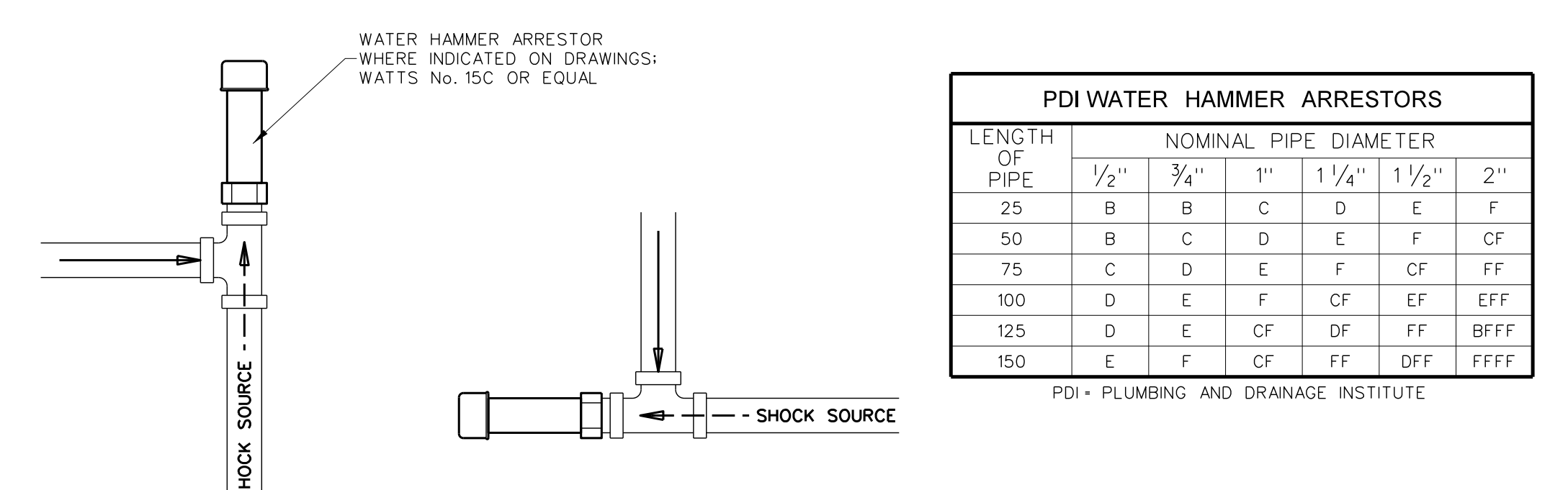
003.10 \"TDCO\" INSTALLATION DETAIL
SCALE: none



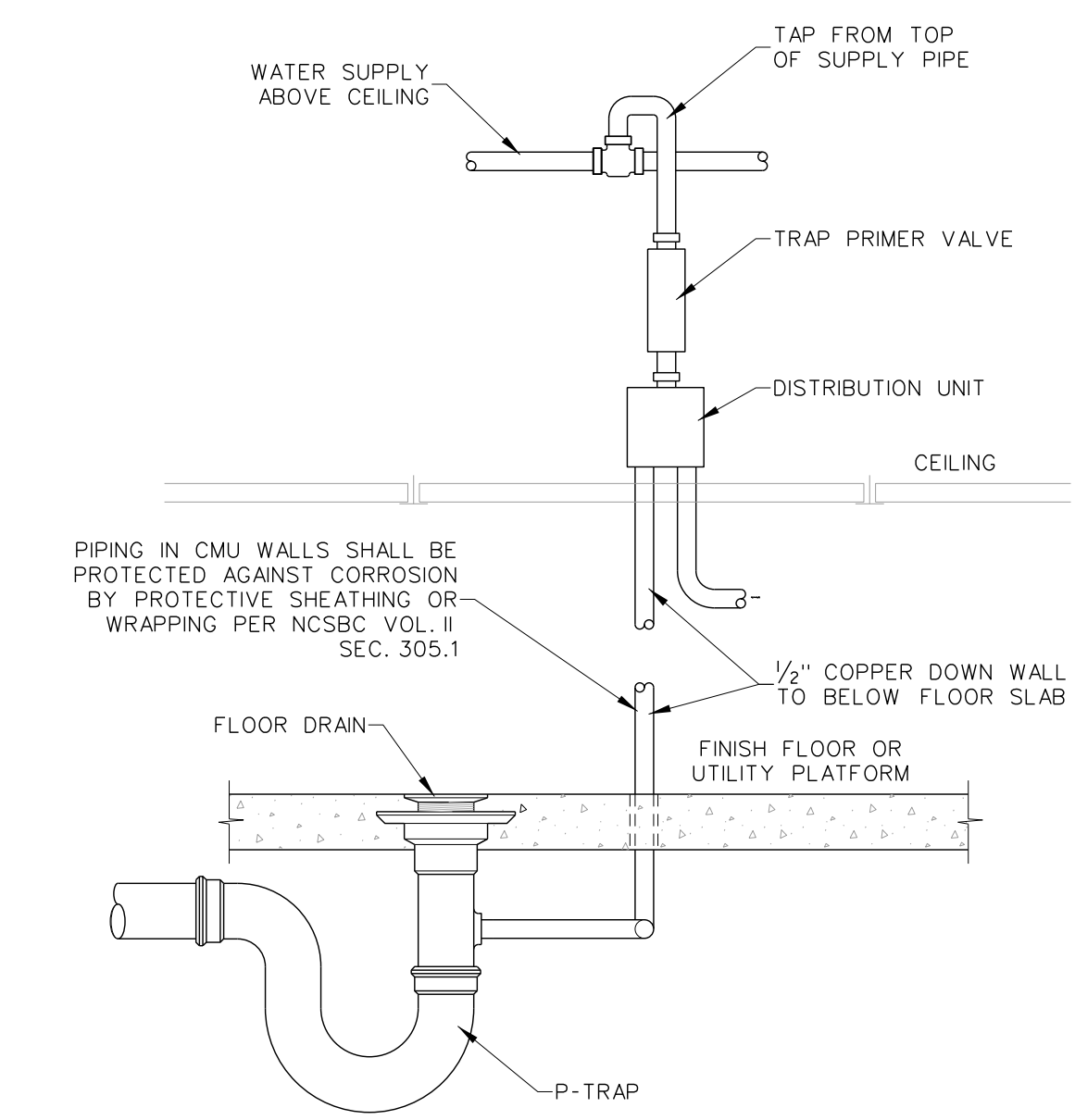
003.9 HUB DRAIN DETAIL
SCALE: none



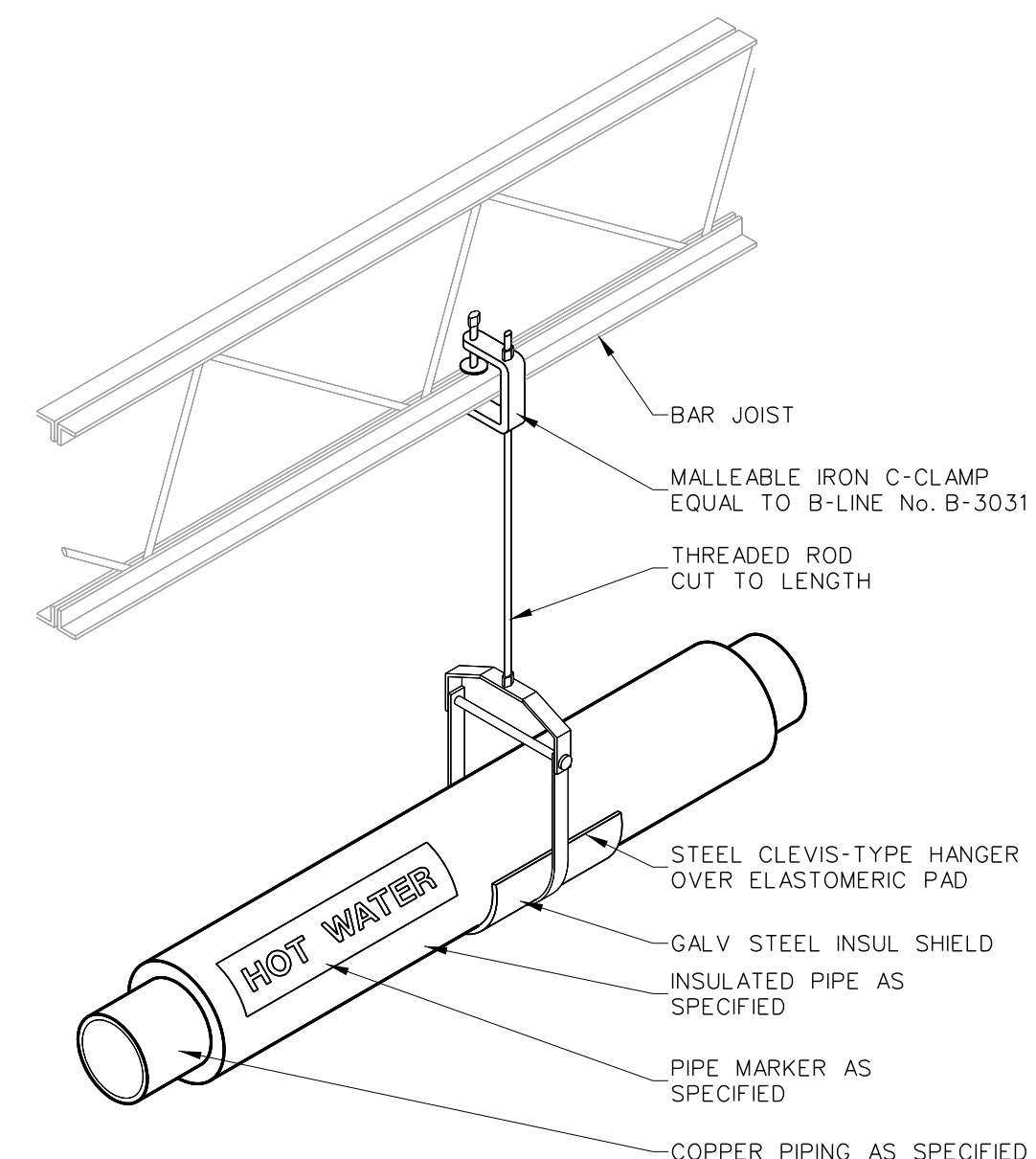
003.8 WALL AND FLOOR CLEANOUT DETAIL
SCALE: none



003.7 WATER HAMMER ARRESTOR DETAIL
SCALE: none



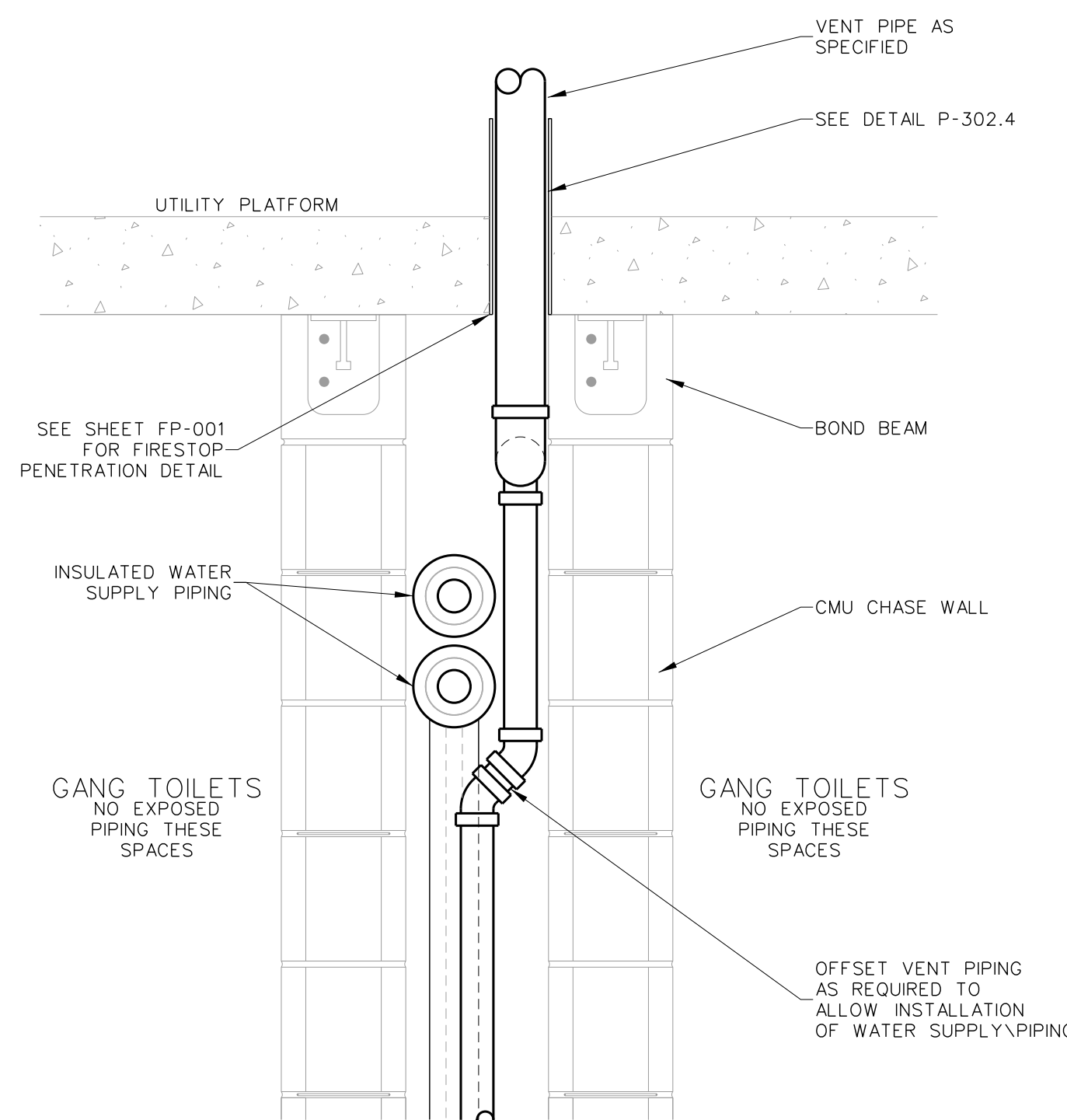
003.6 TRAP PRIMER DETAIL
SCALE: none



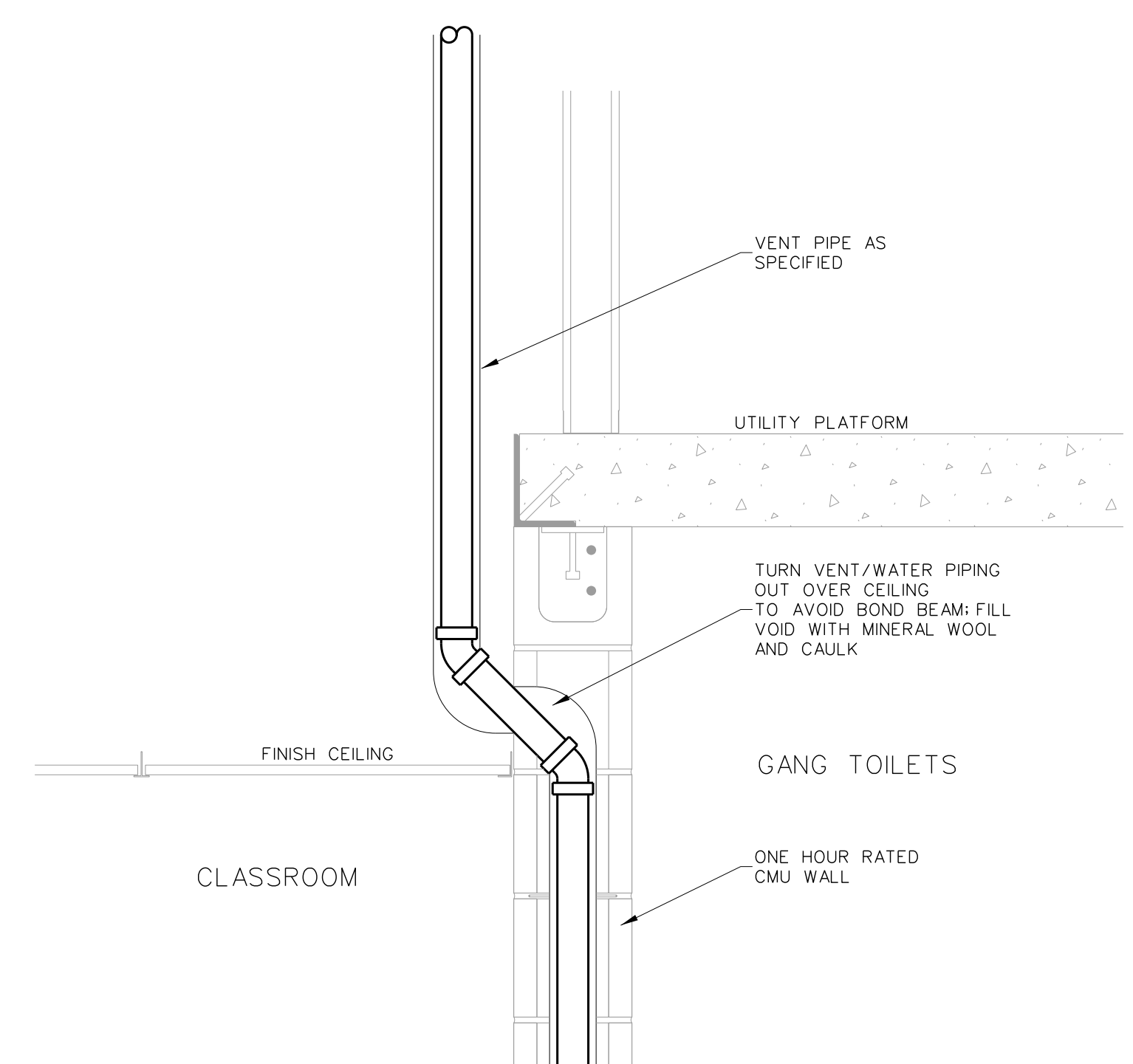
003.5 PIPE HANGER DETAIL
SCALE: none

NOTE: DO NOT HANG PIPE FROM HANGERS INSTALLED BY OTHER TRADES OR STRUCTURAL BRIDGING.

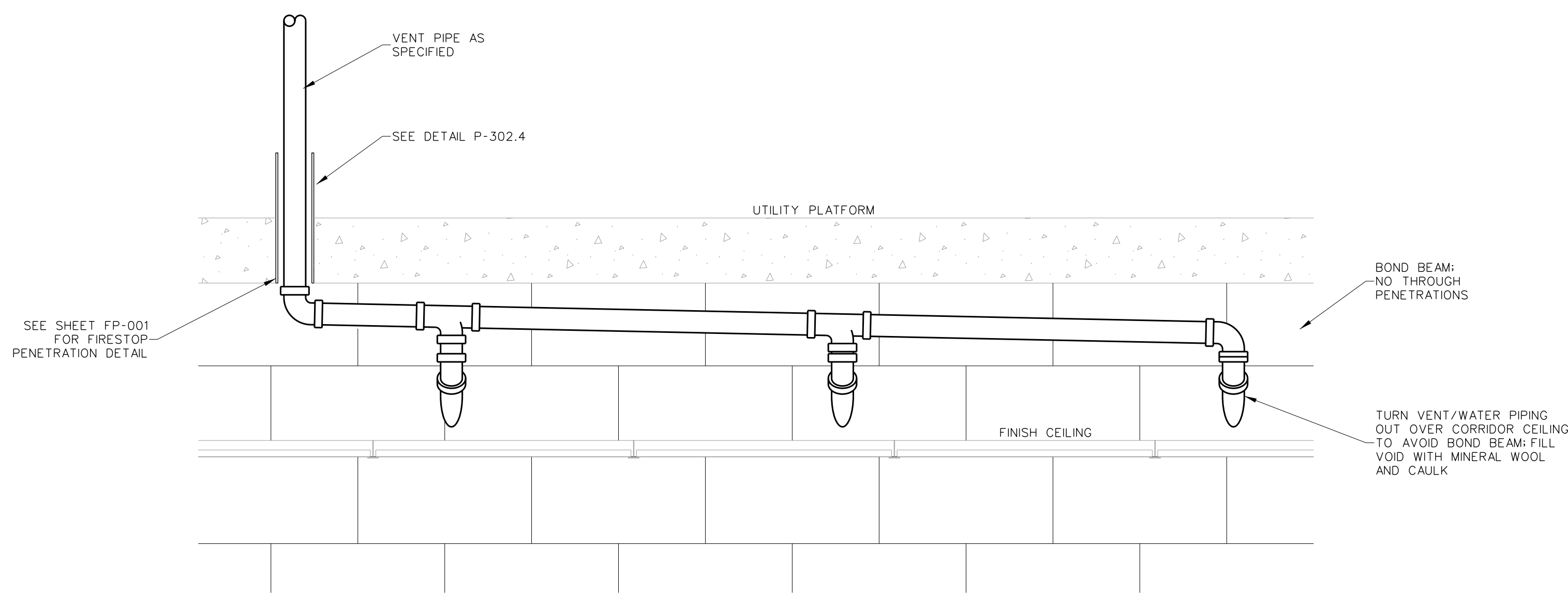
SUPPORT SPACING		
PIPE SIZE	SPACING	ROD
< 3/4"	6'-0"	1/2" DIA.
1 to 1 1/4"	8'-0"	3/8" DIA.
1 1/2" to 2"	10'-0"	3/8" DIA.
2 1/2" & >	12'-0"	1/2" DIA.



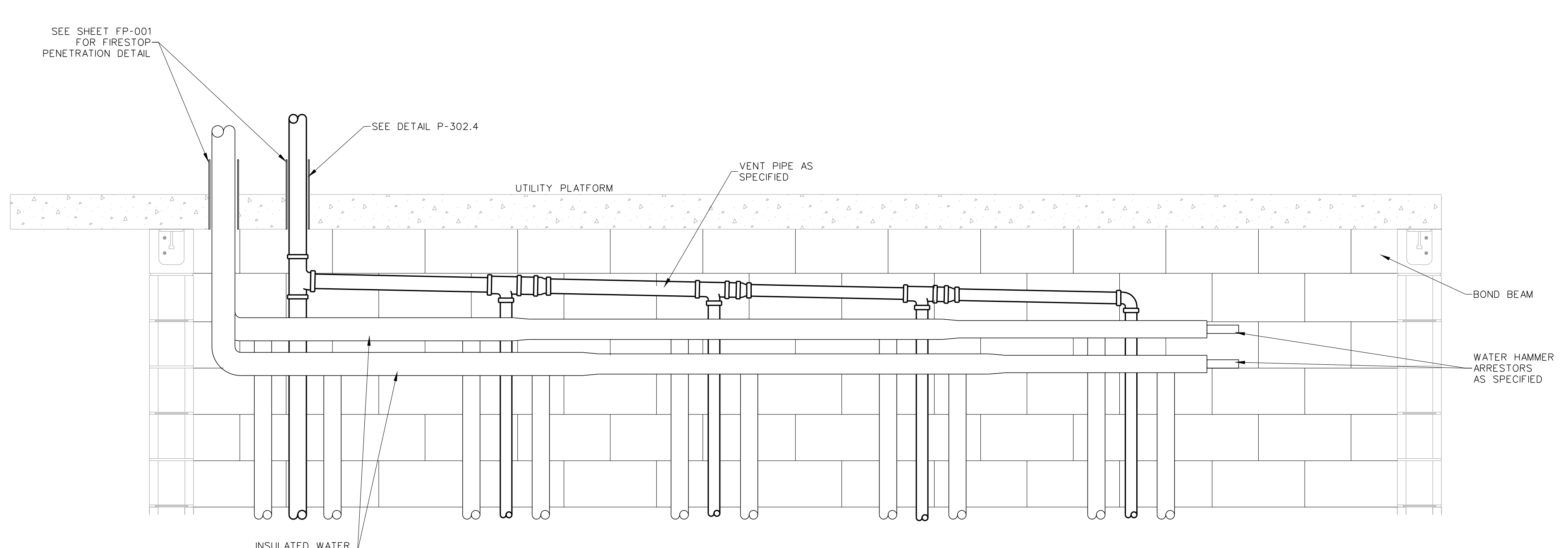
003.4 SECTION THOUGH GANG TOILET CHASE
SCALE: none



003.3 SECTION AT GANG TOILET CHASE
SCALE: none



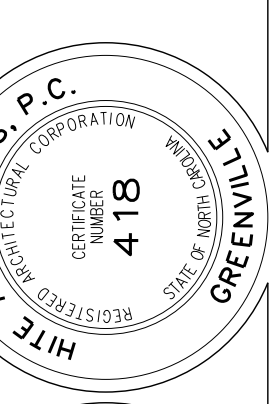
003.2 SECTION THOUGH CORRIDOR WALL
SCALE: none



003.1 SECTION THOUGH GANG TOILET CHASE
SCALE: none

Revision	No.	Date

Hite associates
ARCHITECTURE / ENGINEERING / TECHNOLOGY
2600 Meridian Drive / Greenville, NC 27834 / tel (252) 757-0333



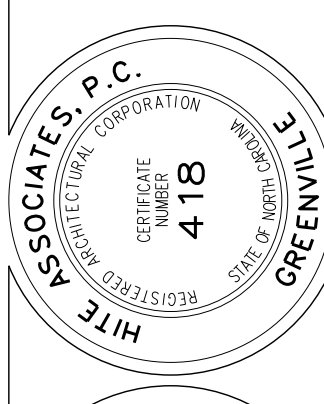
RECORD DRAWING

New Bertie High School
Bertie County Schools
716 US 13 North / NCDPS Unit 080 - School 3112
Windsor / Bertie County / North Carolina

Project No. 21131
Date: 28 March 2012
Drawing no. **P 003**

No.	Date	Revision

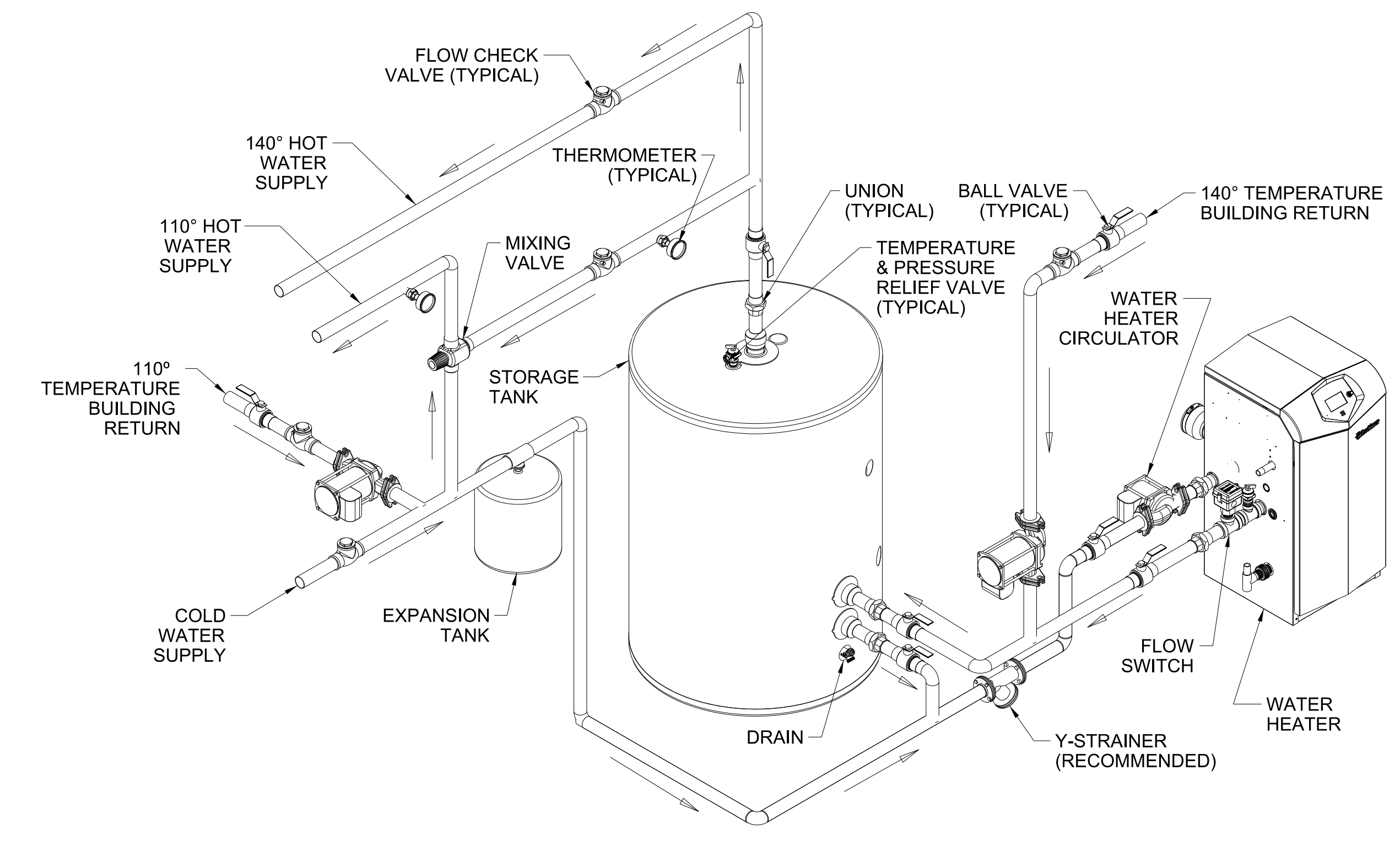
Hite associates
 ARCHITECTURE / ENGINEERING / TECHNOLOGY
 2600 Meridian Drive / Greenville, NC 27834 / tel (252) 757-0333



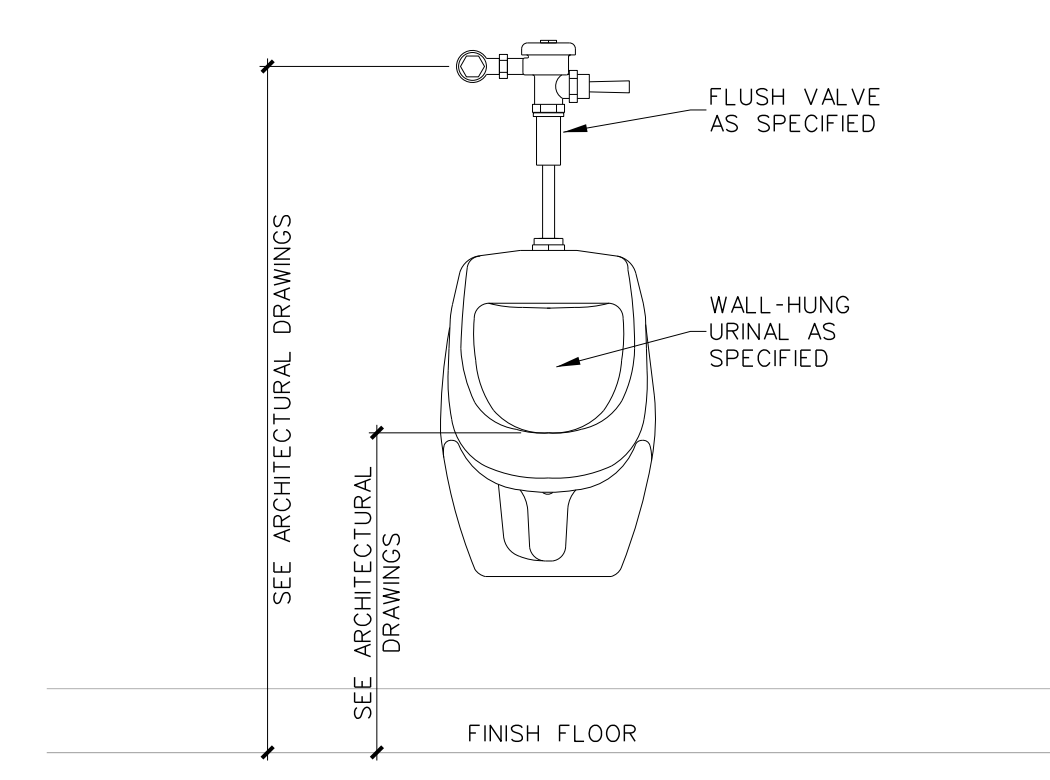
RECORD DRAWING

RECORD DRAWING
 Bertie High School
 Bertie County Schools
 716 US 13 North / NCDPS Unit 080 - School 3112
 Windsor / Bertie County / North Carolina

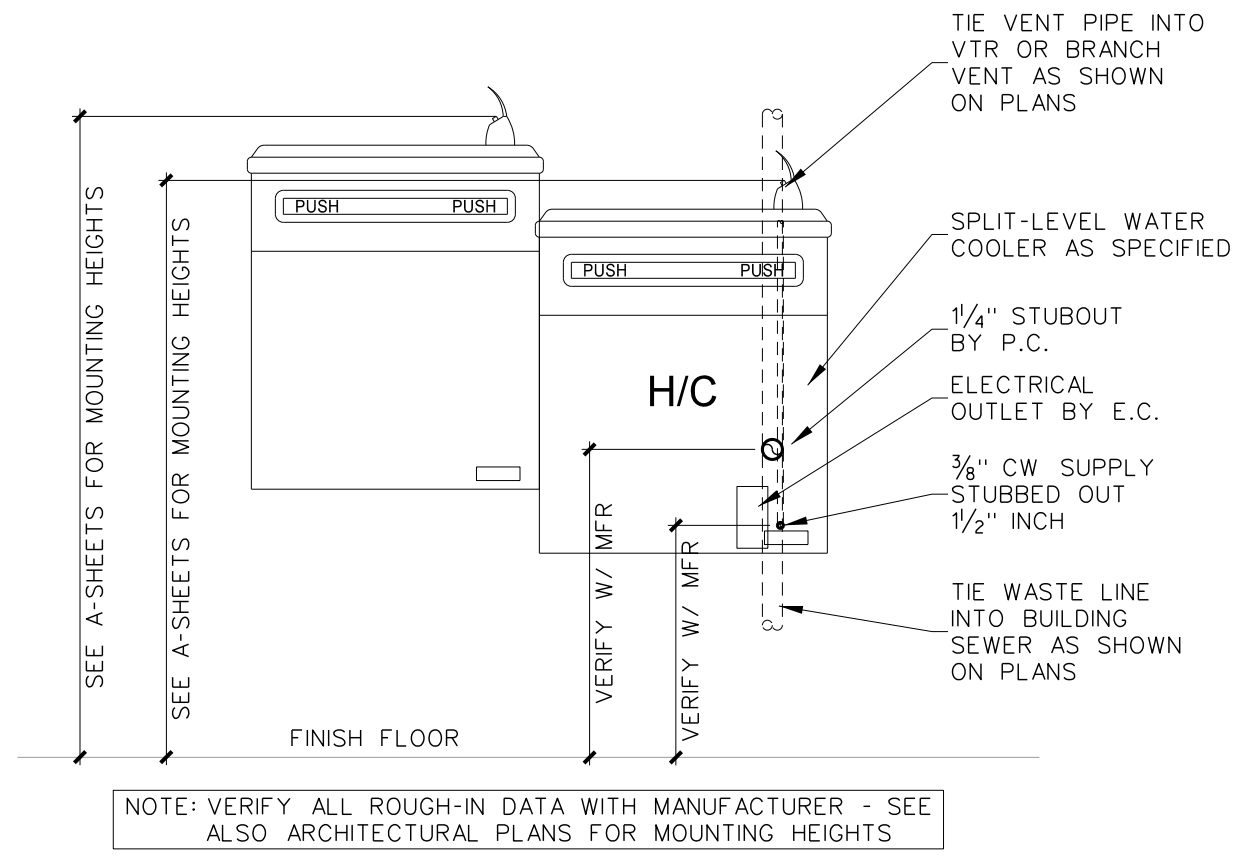
Project No. 21131
 Date: 28 March 2012
 Drawing no. **P 004**



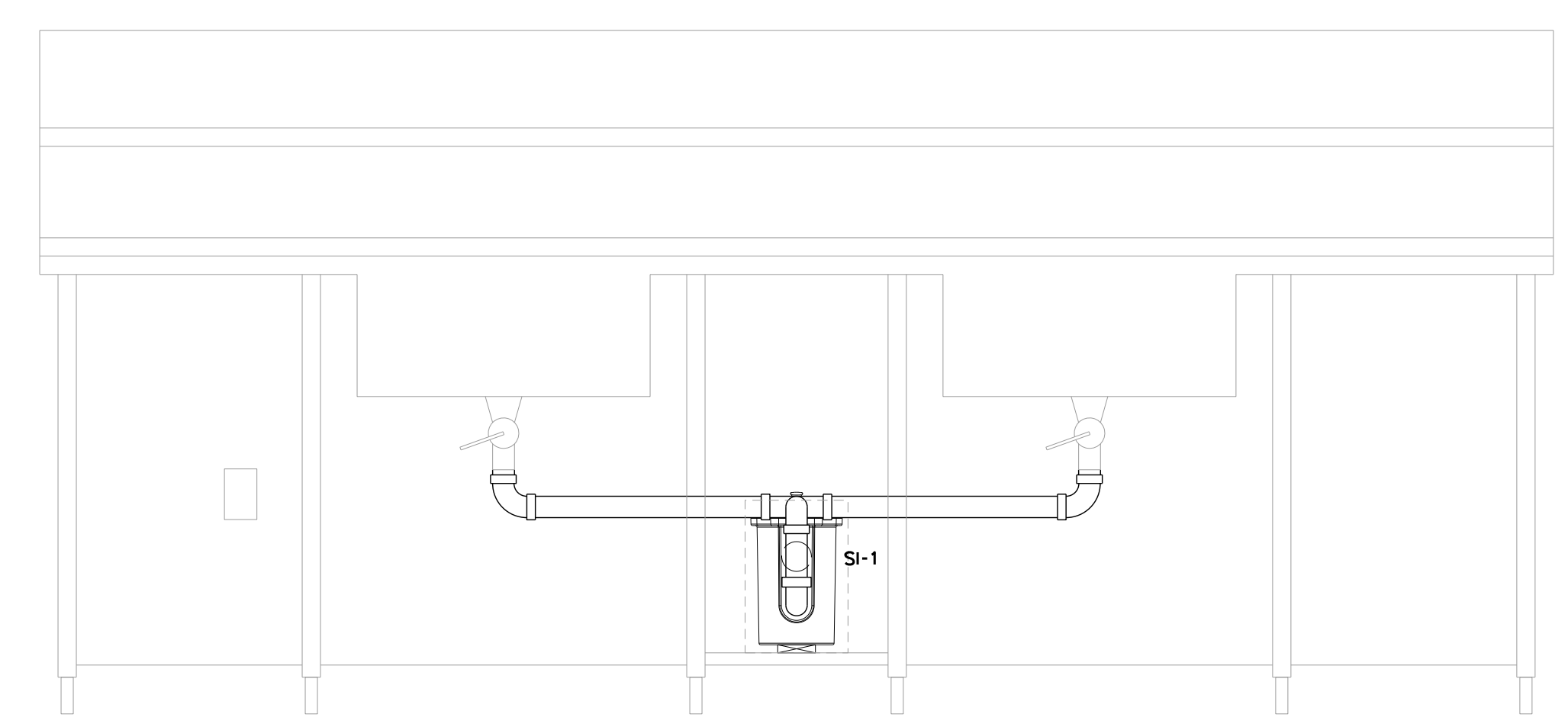
004.8 GWH PIPING DIAGRAM
 SCALE: none



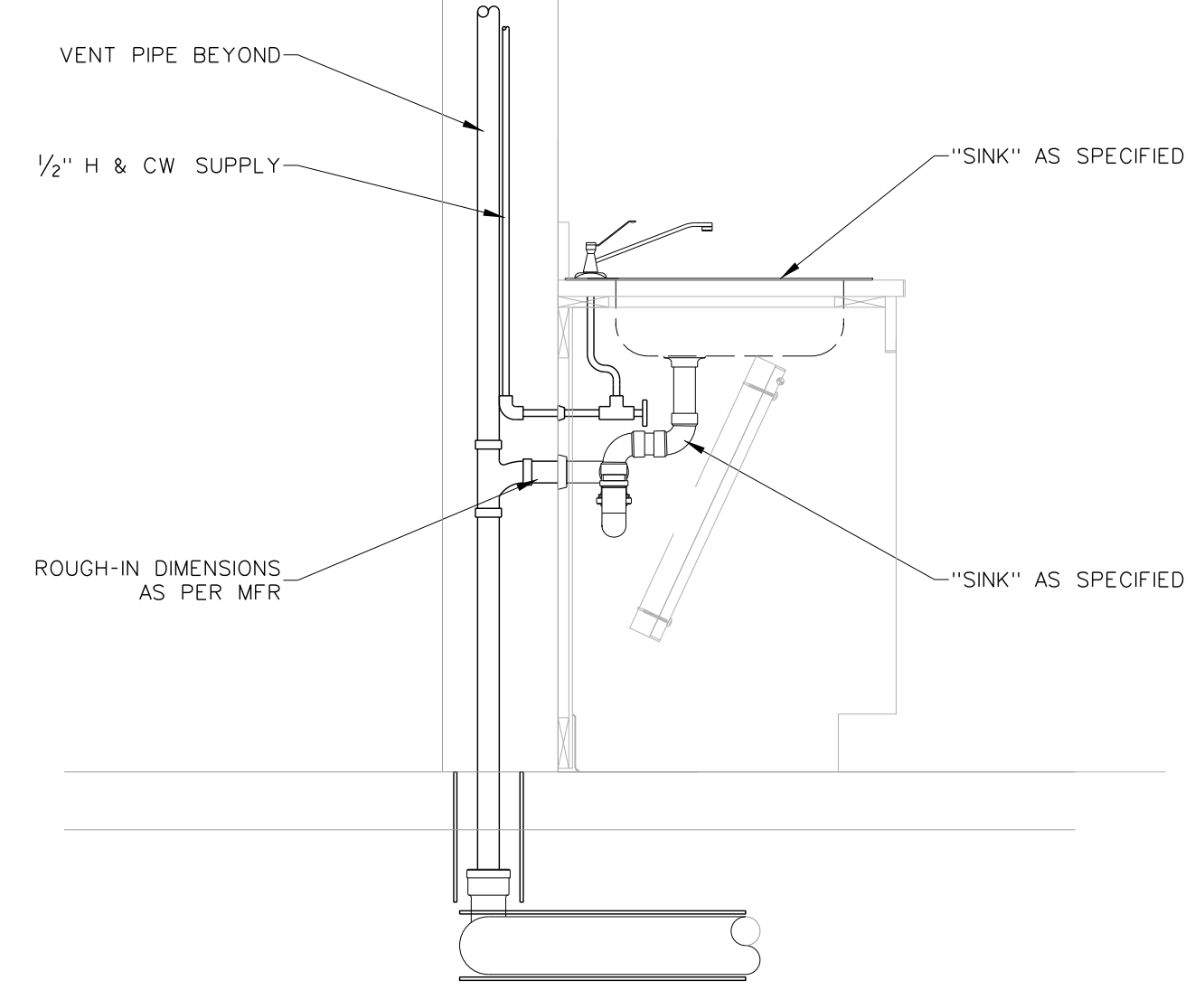
004.7 "URN" INSTALLATION DETAIL
 SCALE: none



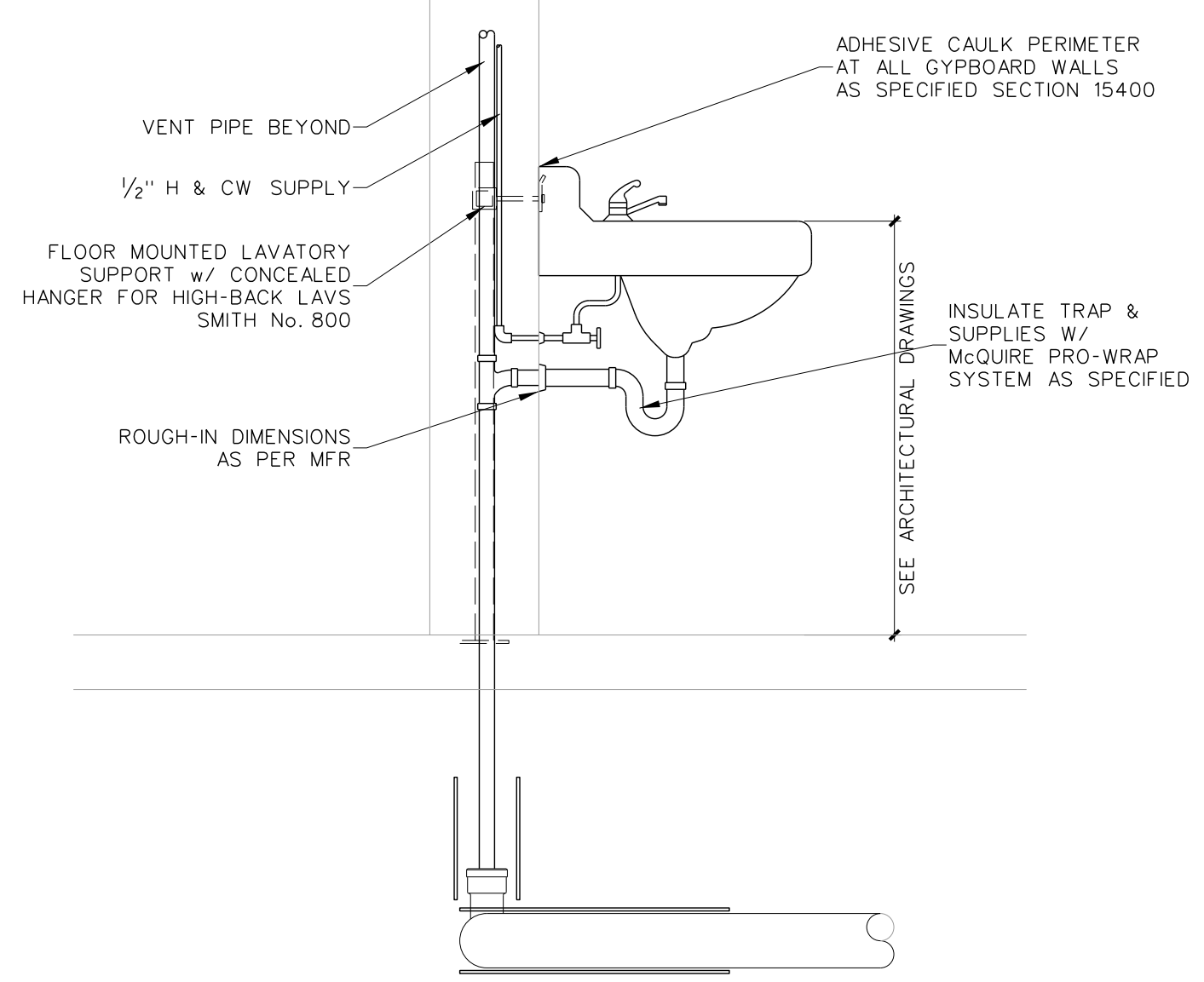
004.7 "EWC-2" INSTALLATION DETAIL
 SCALE: none



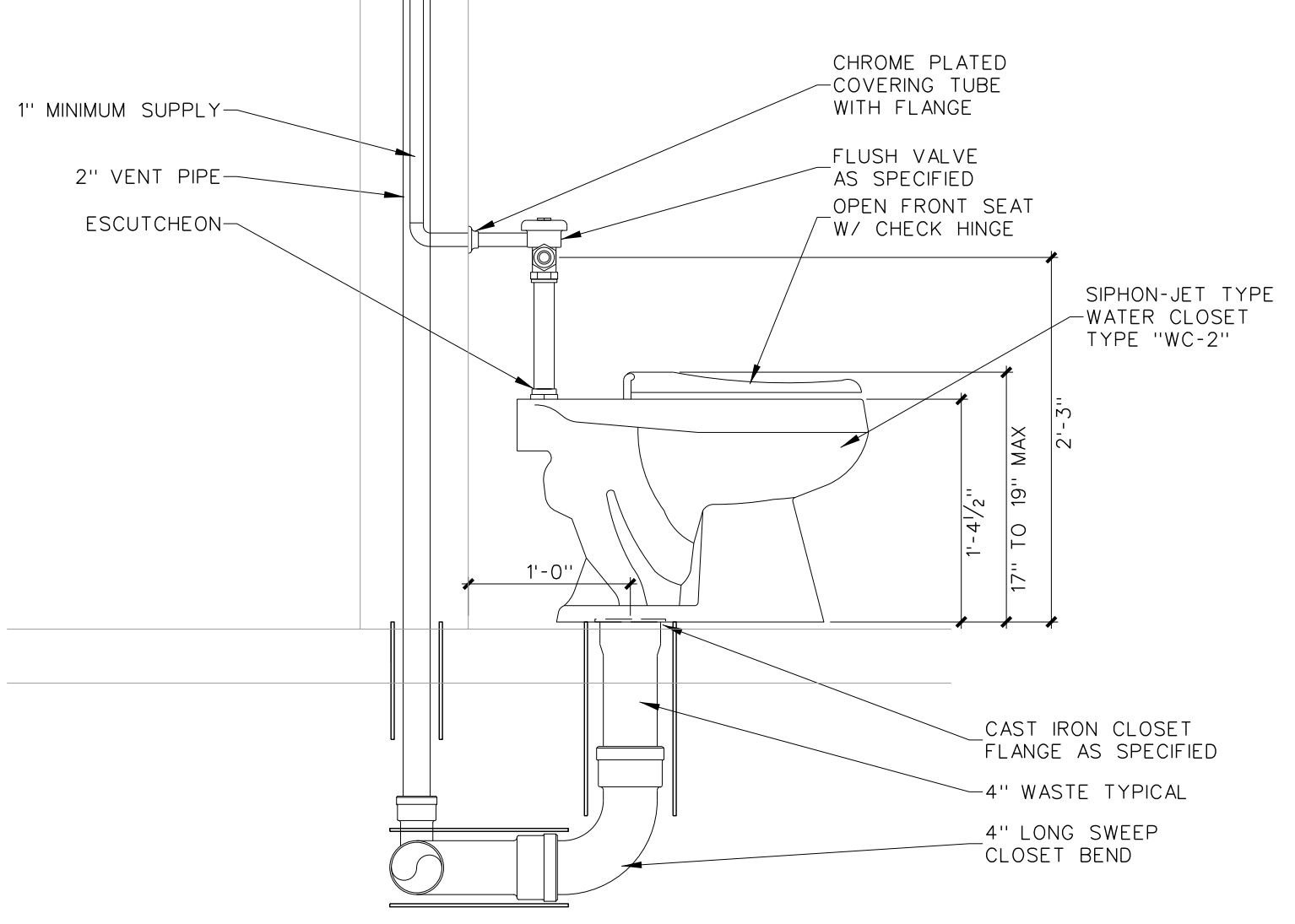
004.6 SOLIDS INTERCEPTOR INSTALLATION DETAIL
 SCALE: none



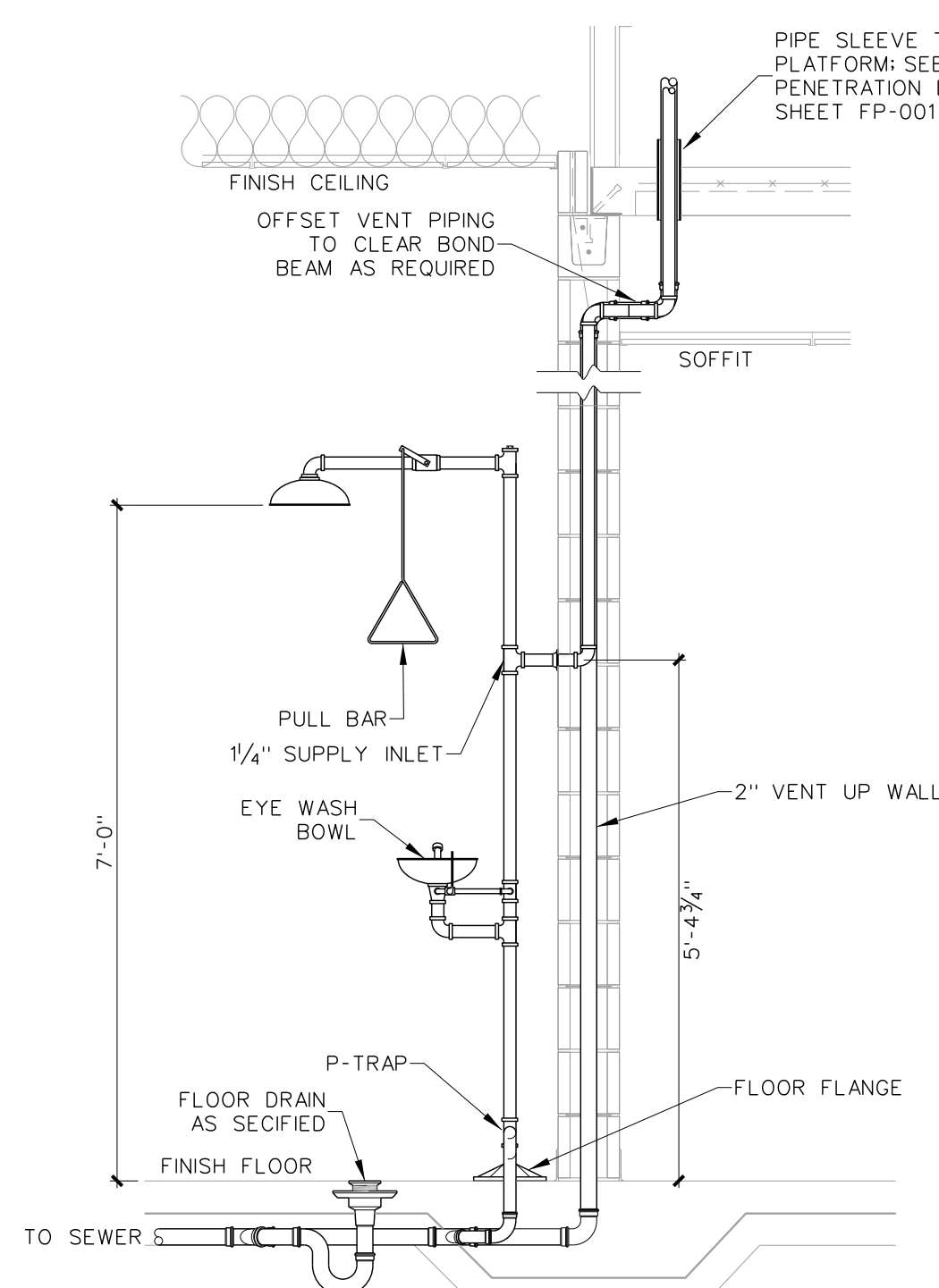
004.5 "SNK" INSTALLATION DETAIL
 SCALE: none



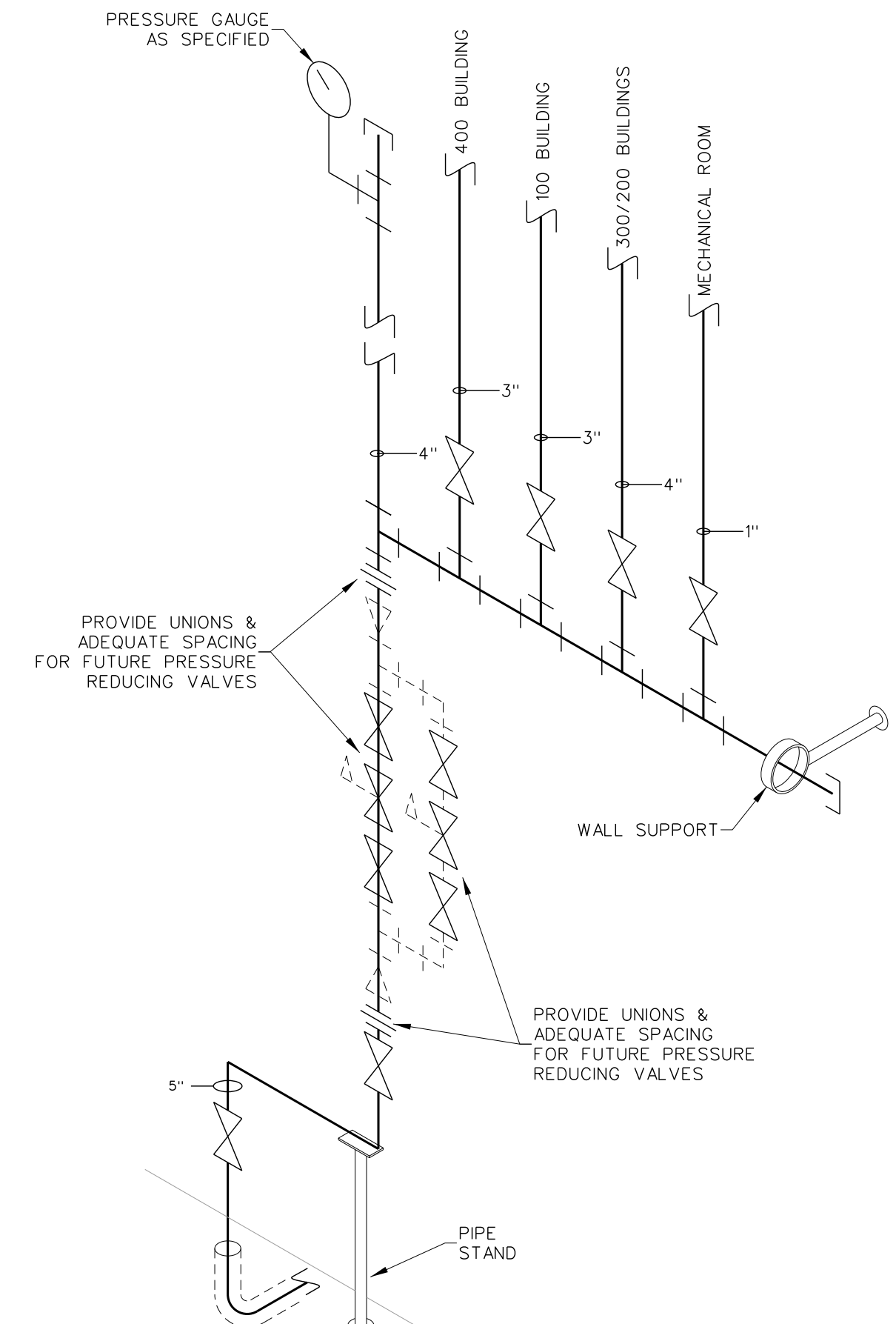
004.4 "LAV-2" INSTALLATION DETAIL
 SCALE: none



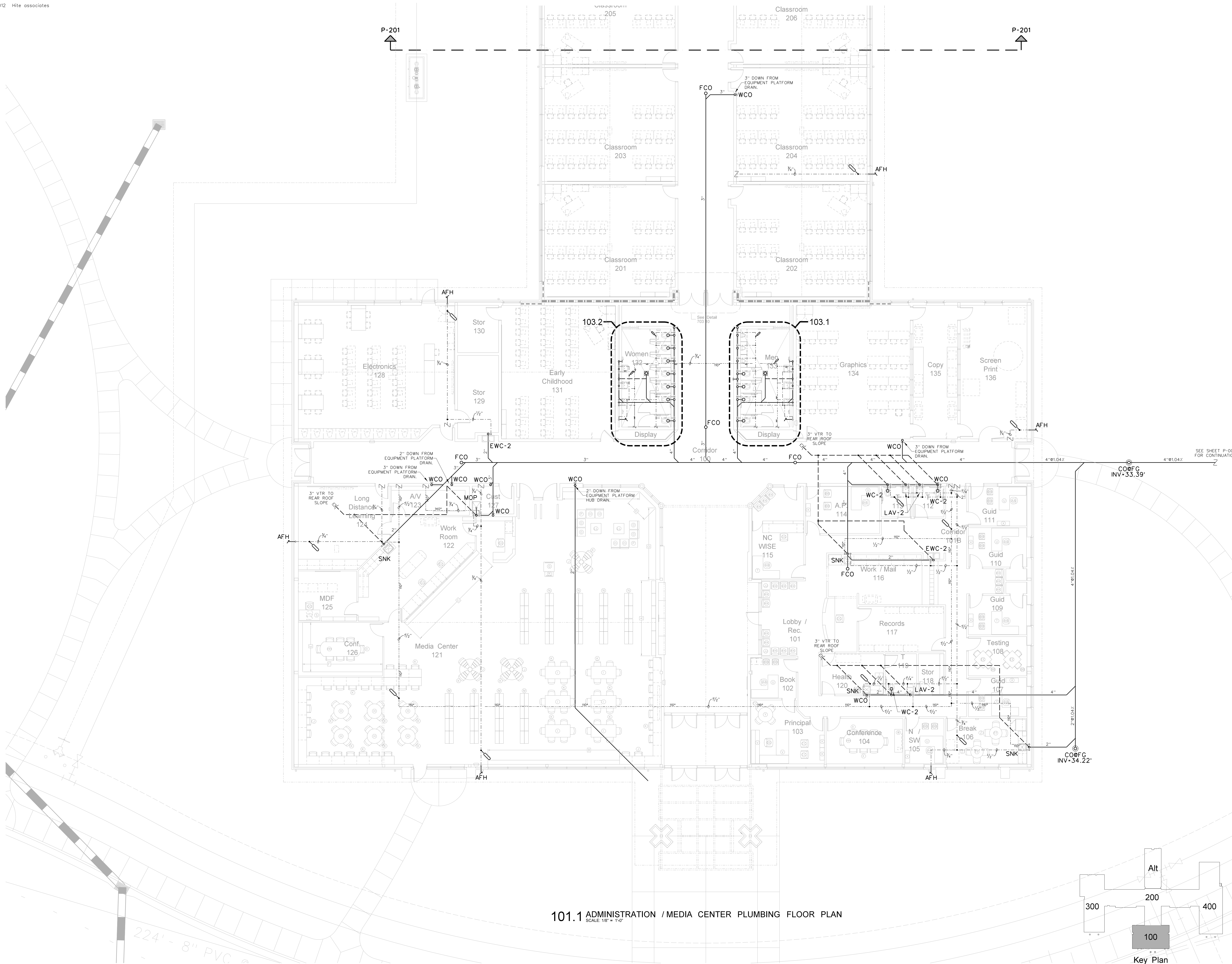
004.3 "WC-2" INSTALLATION DETAIL
 SCALE: none



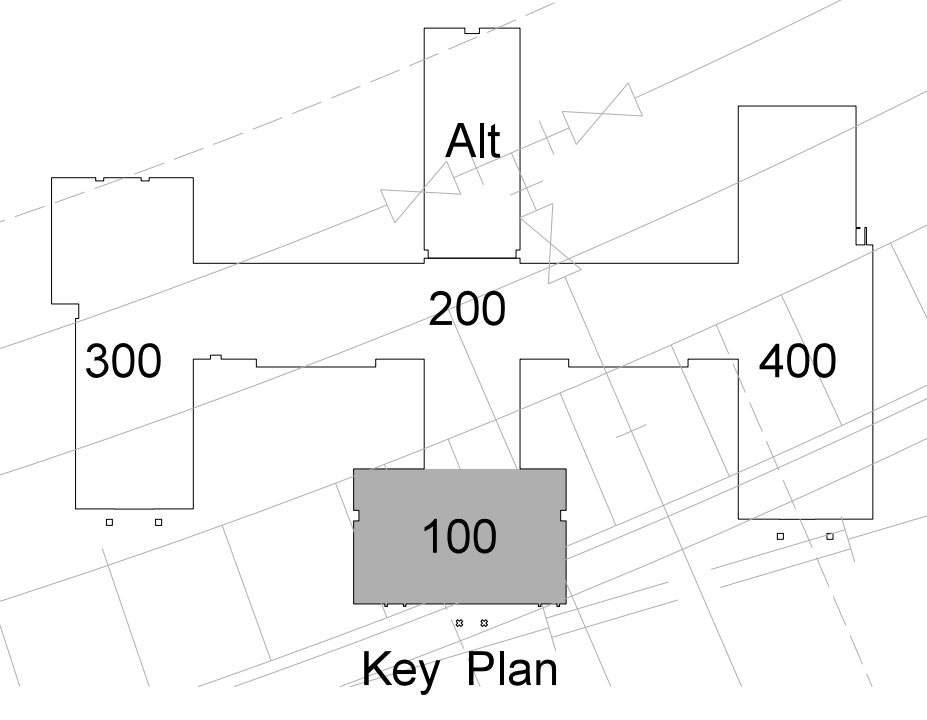
004.2 "EMSH" INSTALLATION DETAIL
 SCALE: none



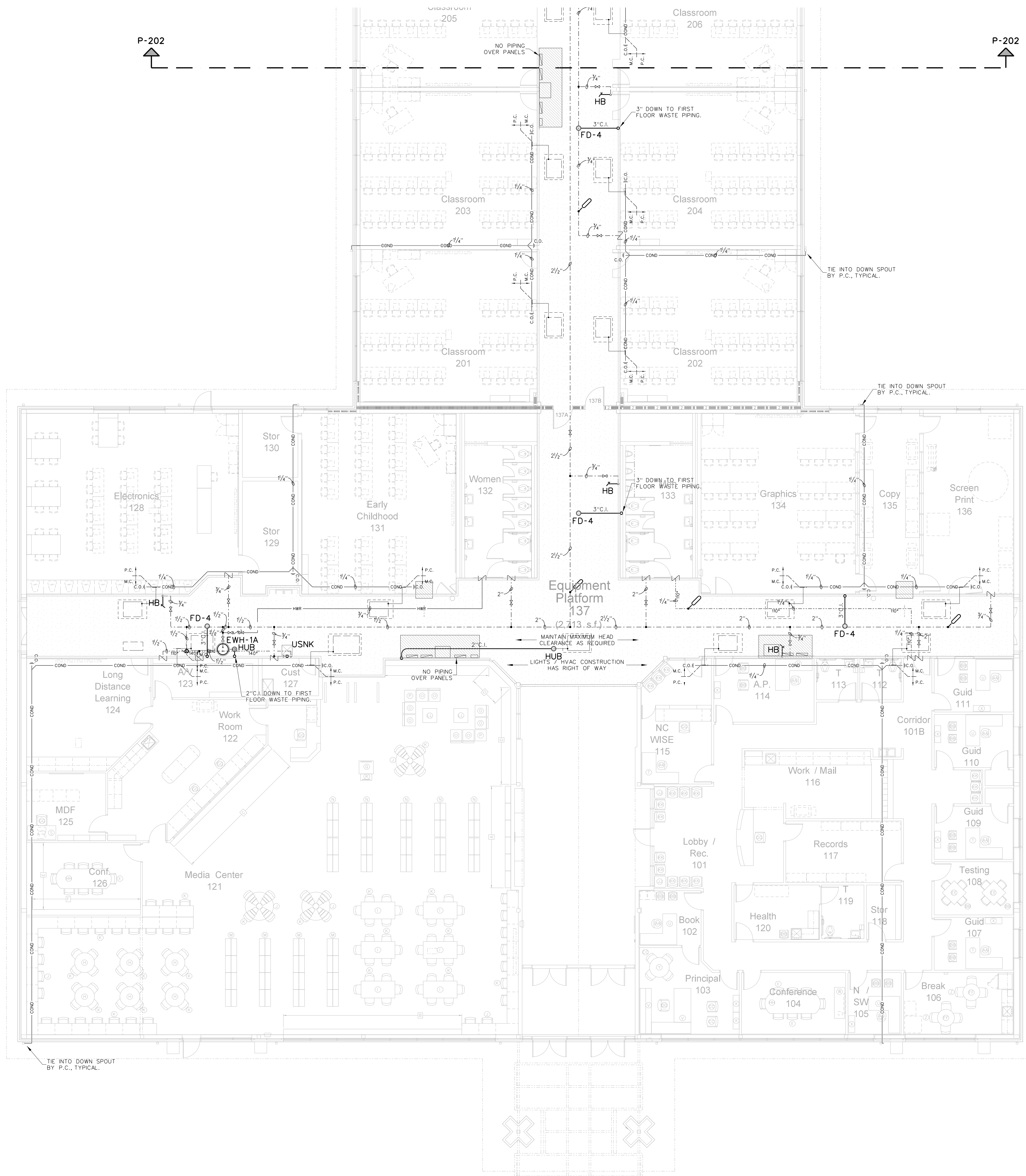
004.1 WATER RISER DETAIL
 SCALE: none



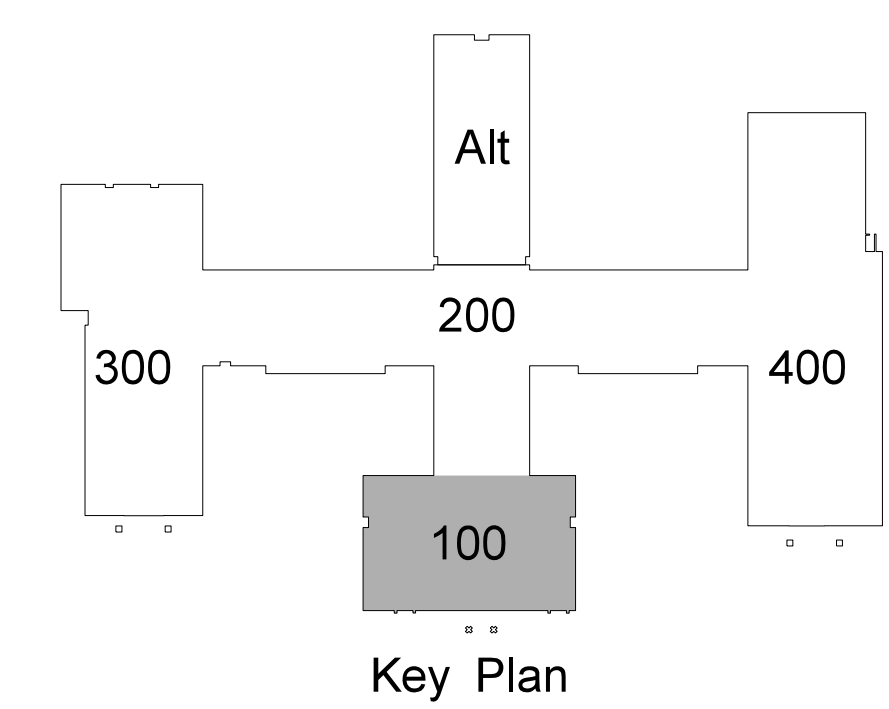
101.1 ADMINISTRATION / MEDIA CENTER PLUMBING FLOOR PLAN
SCALE: 1/8" = 1'-0"



<p>Hite associates ARCHITECTURE / ENGINEERING / TECHNOLOGY 2600 Meridian Drive / Greenville, NC 27834 / tel (252) 757-0333</p>	<p>RECORD DRAWING Bertie High School Bertie County Schools 716 US 13 North / NCDPS Unit 080 - School 312 Windsor / Bertie County / North Carolina</p>
<p>REGISTERED PROFESSIONAL ENGINEER STATE OF NORTH CAROLINA EXPIRES 12/31/2012 NO. 418 ORCE/EA</p>	<p>PROJECT NO. 21131 DATE: 28 March 2012 DRAWING NO. P 101</p>

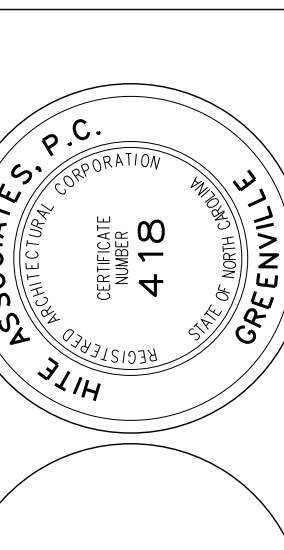


102.1 ADMINISTRATION / MEDIA CENTER EQUIPMENT PLATFORM PLUMBING PLAN
SCALE: 1/8" = 1'-0"



No.	Date	Revision

Hite associates
ARCHITECTURE / ENGINEERING / TECHNOLOGY
2600 Meridian Drive / Greenville, NC 27834 / tel (252) 757-0333

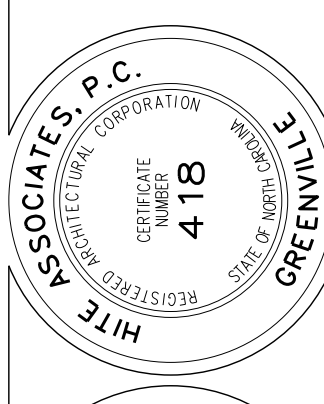


RECORD DRAWING
Bertie High School
 Bertie County Schools
 716 US 13 North / NCDPS Unit 080 - School 312
 Windsor / Bertie County / North Carolina

Project No. 21131
 Date: 28 March 2012
 Drawing No. **P 102**

No.	Date	Revision

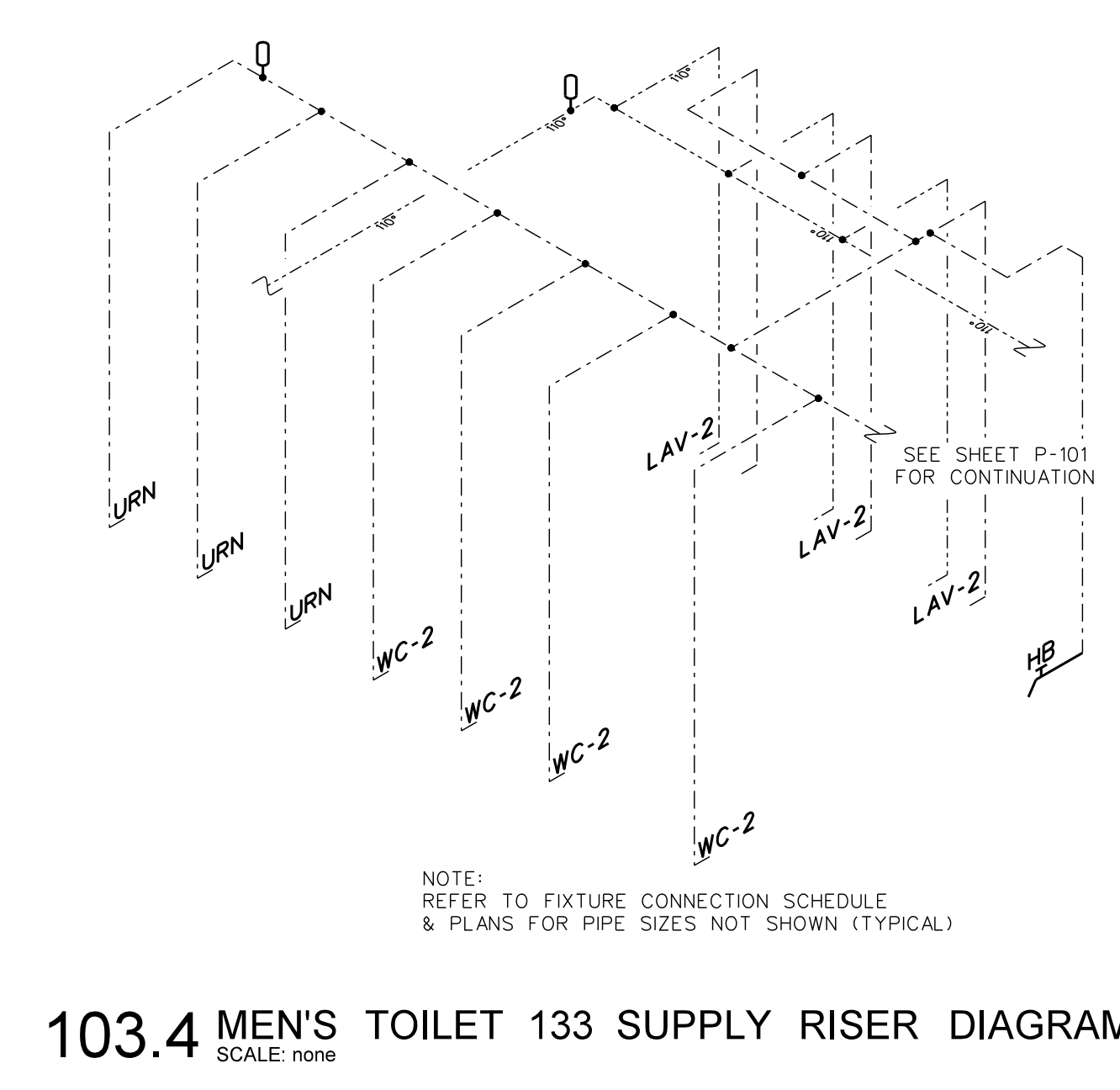
Hite associates
 ARCHITECTURE / ENGINEERING / TECHNOLOGY
 2600 Meridian Drive / Greenville, NC 27834 / tel (252) 757-0333



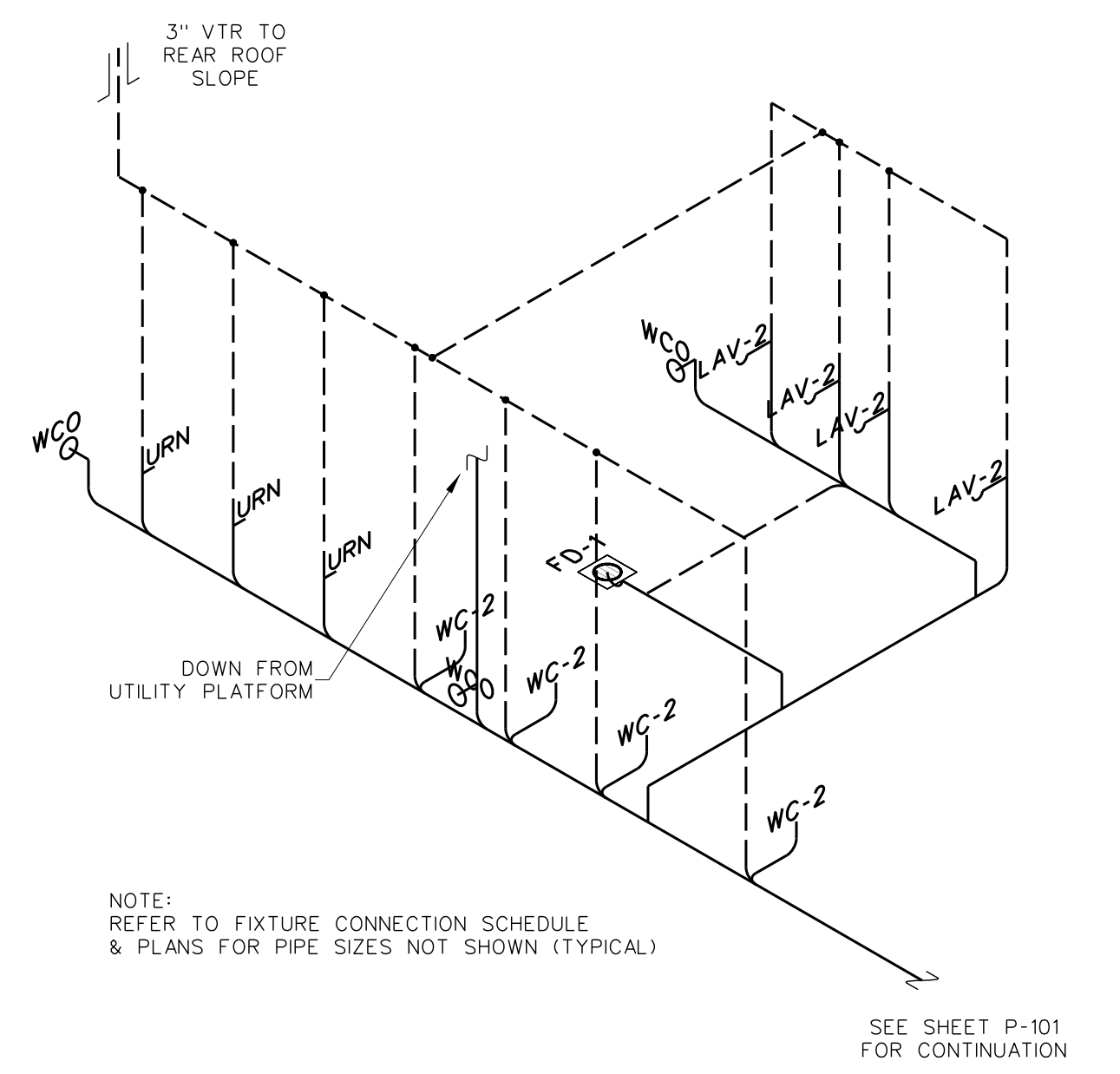
RECORD
 DRAWING

RECORD DRAWING
 Bertie High School
 Bertie County Schools
 716 US 13 North / NCDPS Unit 080 - School 3112
 Windsor / Bertie County / North Carolina

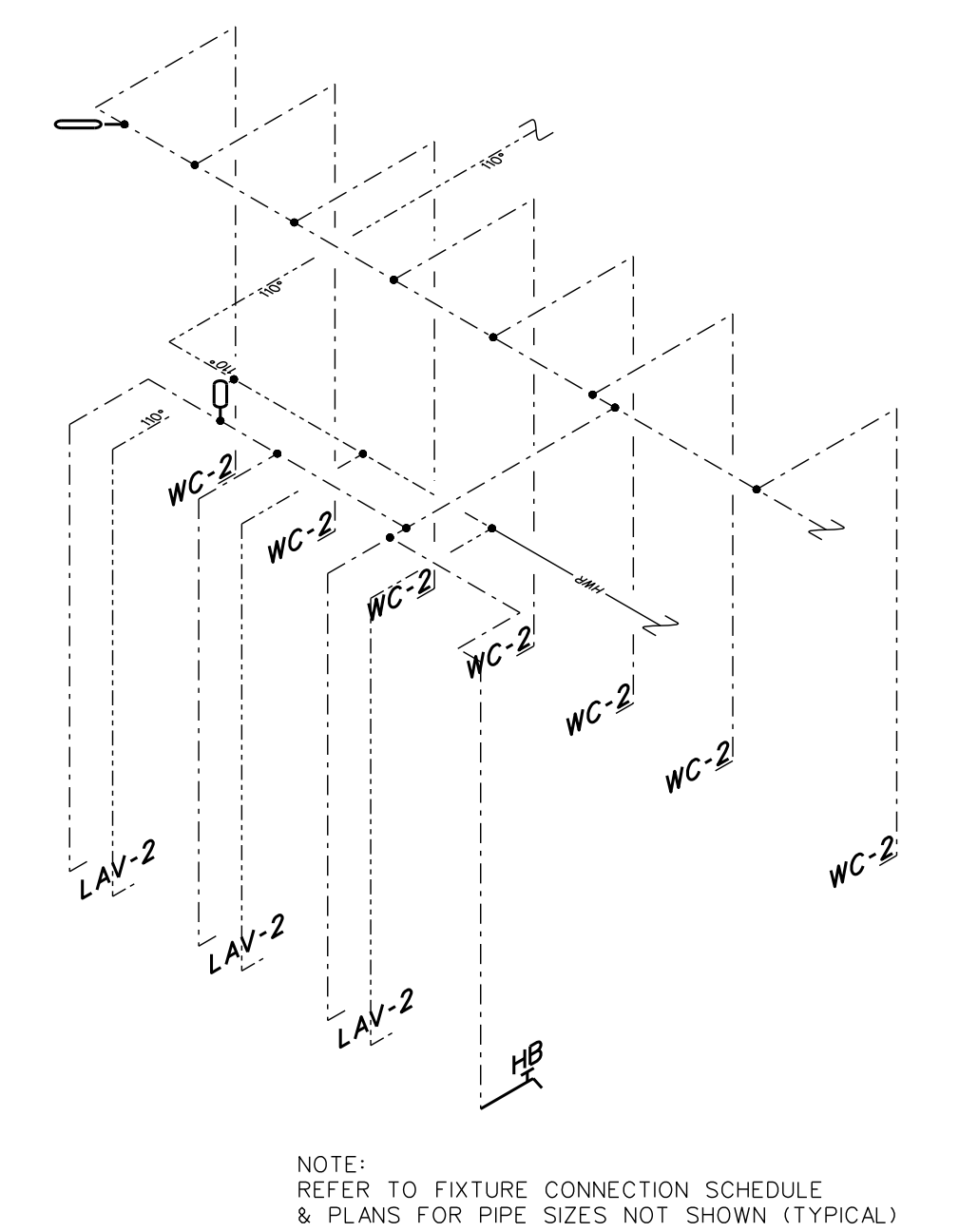
Project No. 21131
 Date: 28 March 2012
 Drawing no. **P 103**



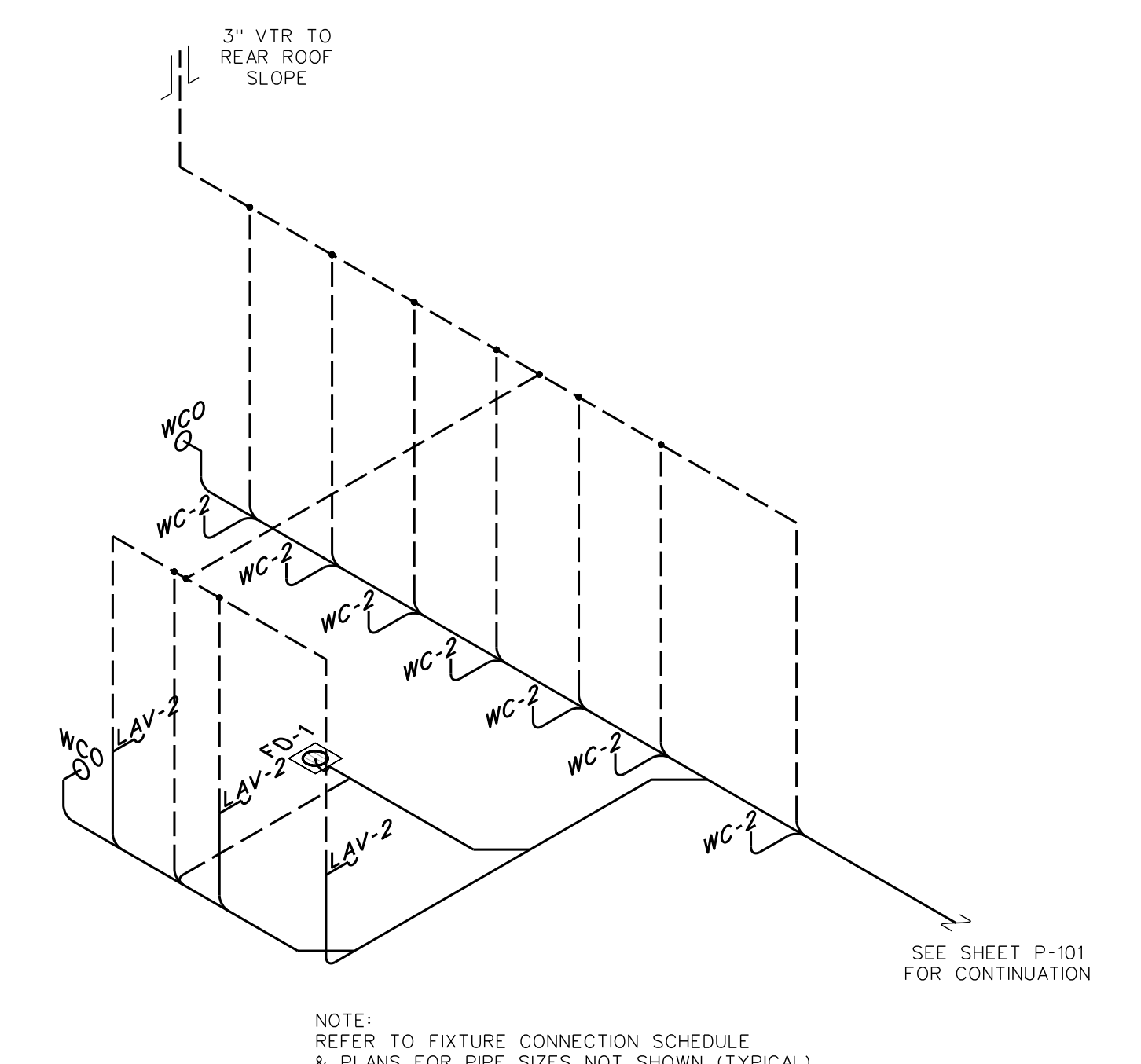
103.4 MEN'S TOILET 133 SUPPLY RISER DIAGRAM
 SCALE: none



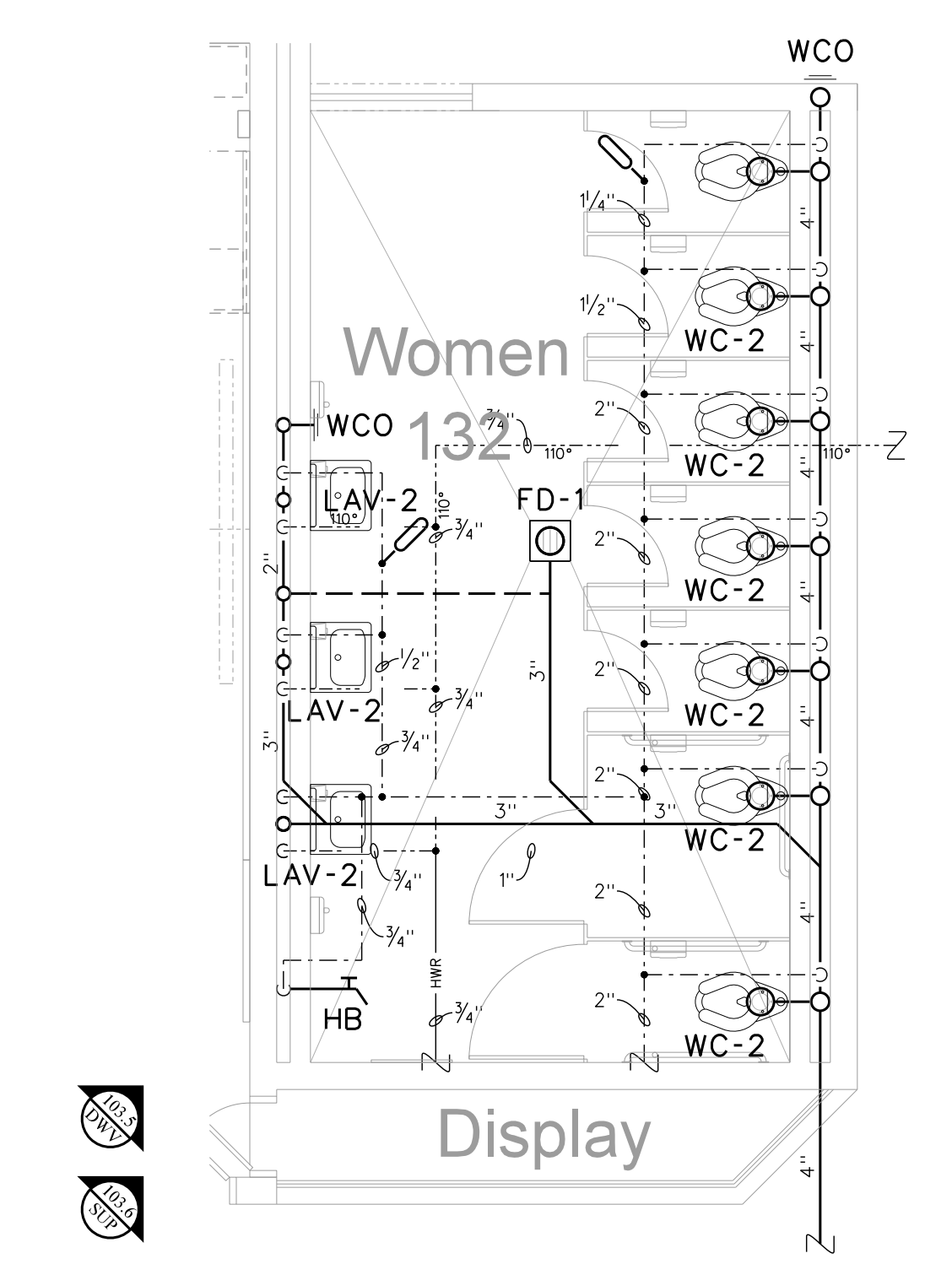
103.3 MEN'S TOILET 133 DWW RISER DIAGRAM
 SCALE: none



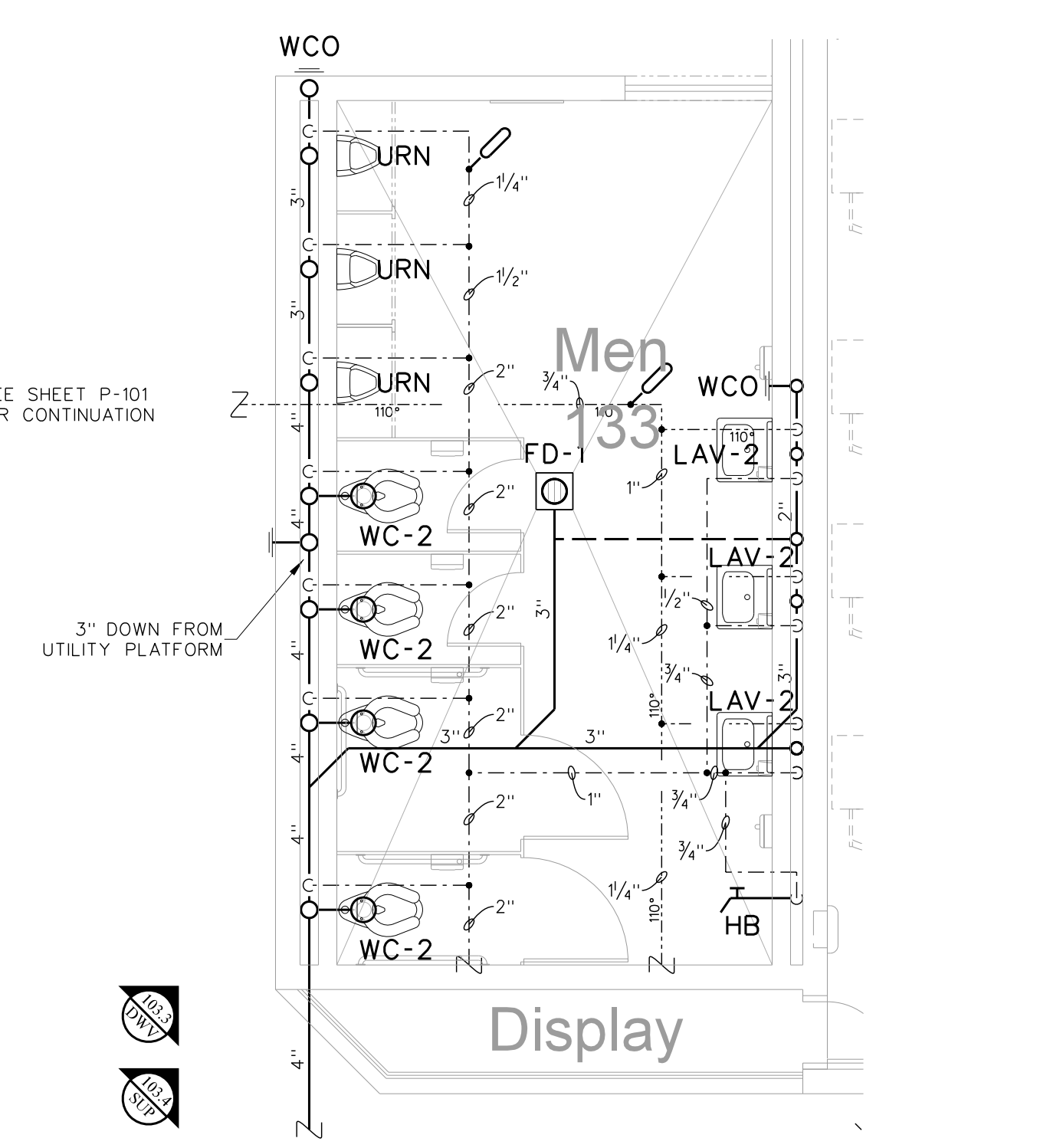
103.6 WOMEN'S TOILET 133 SUPPLY RISER DIAGRAM
 SCALE: none



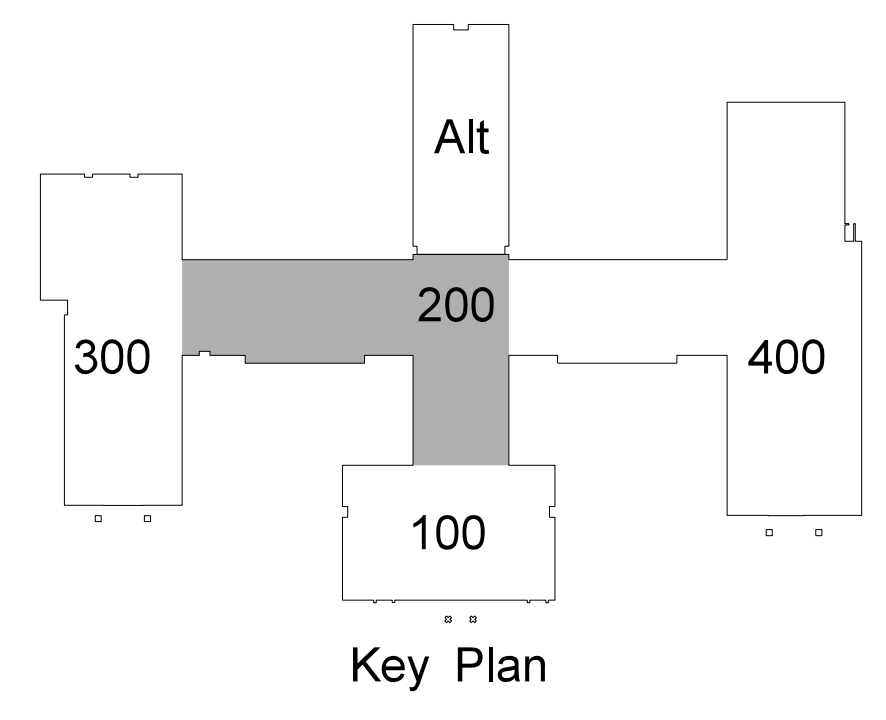
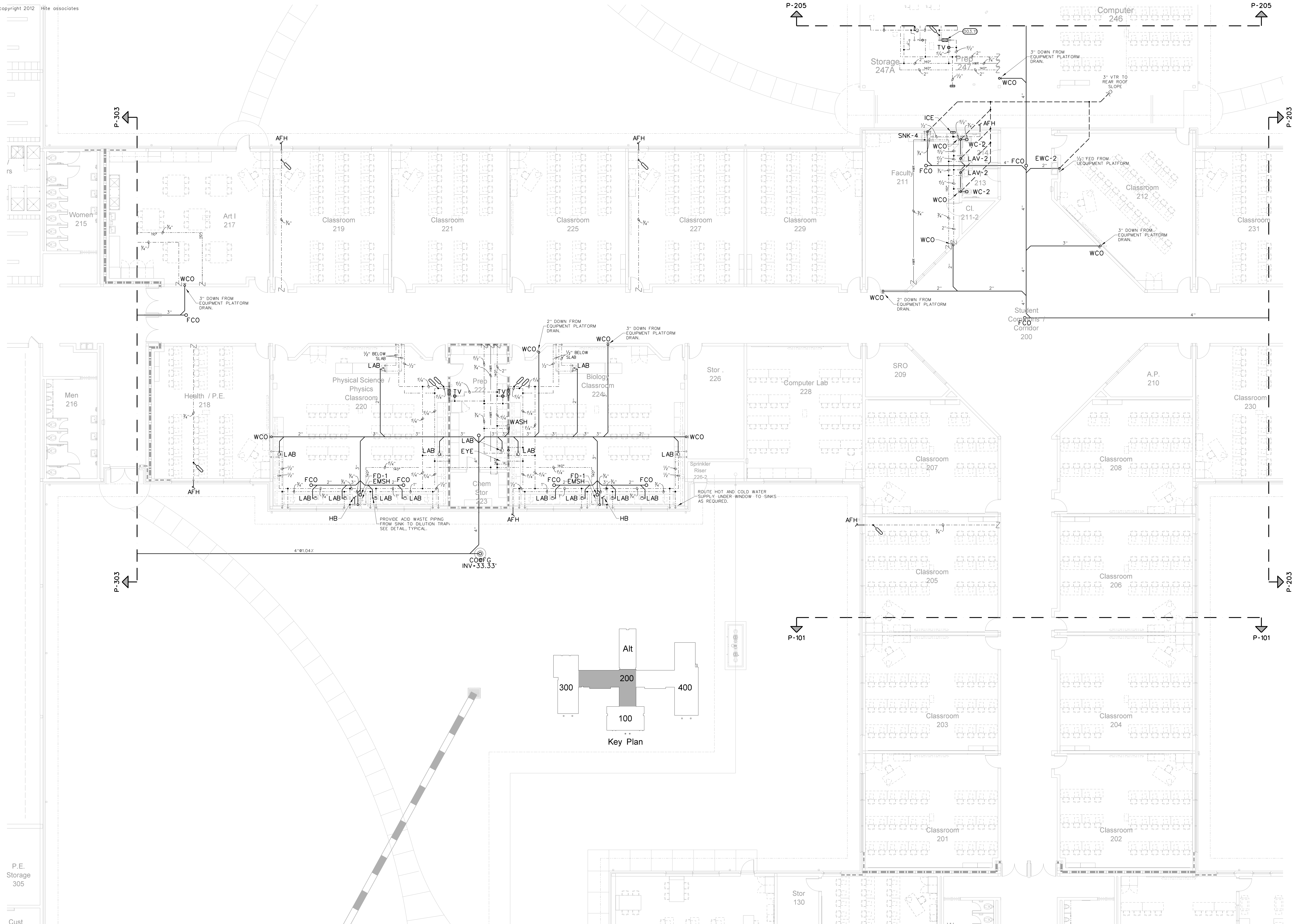
103.5 WOMEN'S TOILET 133 DWW RISER DIAGRAM
 SCALE: none



103.2 WOMEN'S TOILET 132 ENLARGED PLAN
 SCALE: 1/4" = 1'-0"



103.1 MEN'S TOILET 133 ENLARGED PLAN
 SCALE: 1/4" = 1'-0"



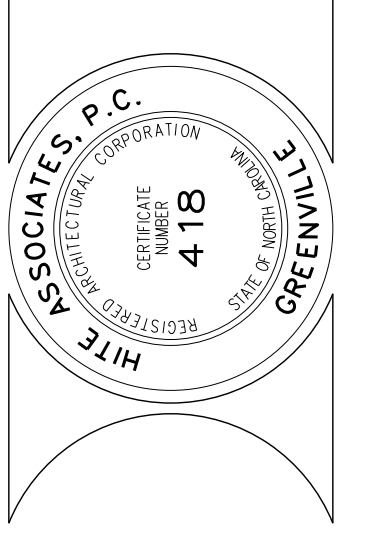
Key Plan

201.1 CLASSROOM WING PLUMBING FLOOR PLAN

SCALE: 1/8" = 1'-0"

No.	Date	Revision

Hite associates
 ARCHITECTURE / ENGINEERING / TECHNOLOGY
 2600 Meridian Drive / Greenville, NC 27834 / Tel: (252) 757-0333



RECORD
 DRAWING

RECORD DRAWING
 Bertie High School
 Bertie County Schools
 716 US 13 North / NCDPS Unit 080 - School 312
 Windsor / Bertie County / North Carolina

Project No.	21131
Date:	28 March 2012
Drawing No.	P 201

SEE SHEET 111 FOR ENLARGED TOILET PLAN

SEE SHEET 331 FOR ENLARGED TOILET PLAN

SEE SHEET A-216 FOR ENLARGED TOILET PLAN

SEE SHEET A-216 FOR ENLARGED TOILET PLAN

Equip platform 332 Storage 305

Cust

P-304

P-304

P-206

P-206

P-204

P-204

P-102

P-102

TIE INTO DOWN SPOUT BY P.C., TYPICAL

3" DOWN TO FIRST FLOOR WASTE PIPING SEE SHEET A-211 FOR ENLARGED FLOOR PLAN

SEE SHEET A-210 FOR ENLARGED TYPICAL CLASSROOM FLOOR PLAN

2" P.C. DOWN TO FIRST FLOOR WASTE PIPING SEE SHEET A-210 FOR ENLARGED FLOOR PLAN

2" P.C. DOWN TO FIRST FLOOR WASTE PIPING

3" DOWN TO FIRST FLOOR WASTE PIPING

MAINTAIN MAXIMUM HEAD CLEARANCE AS REQUIRED

LIGHTS / HVAC CONSTRUCTION HAS RIGHT OF WAY

Equipment Platform 260 (12,415 s.f.)

Faculty 211 SEE SHEET A-215 FOR ENLARGED TOILET PLAN

USNK

FD-4

Women 215

Art I 217

Classroom 219

Classroom 221

Classroom 225

Classroom 227

Classroom 229

Cl. 211-2

T 214

T 213

Classroom 212

Classroom 231

Men 216

Health / P.E. 218

Physical Science / Physics Classroom 220

Prep 222

Biology Classroom 224

1/2" Stor. 226

Computer Lab 228

IDF 261

A.P. 210

Classroom 230

Chem Stor 223

Sprinkler Riser 225-2

Classroom 207

Classroom 208

Classroom 205

Classroom 206

Classroom 203

Classroom 204

Classroom 201

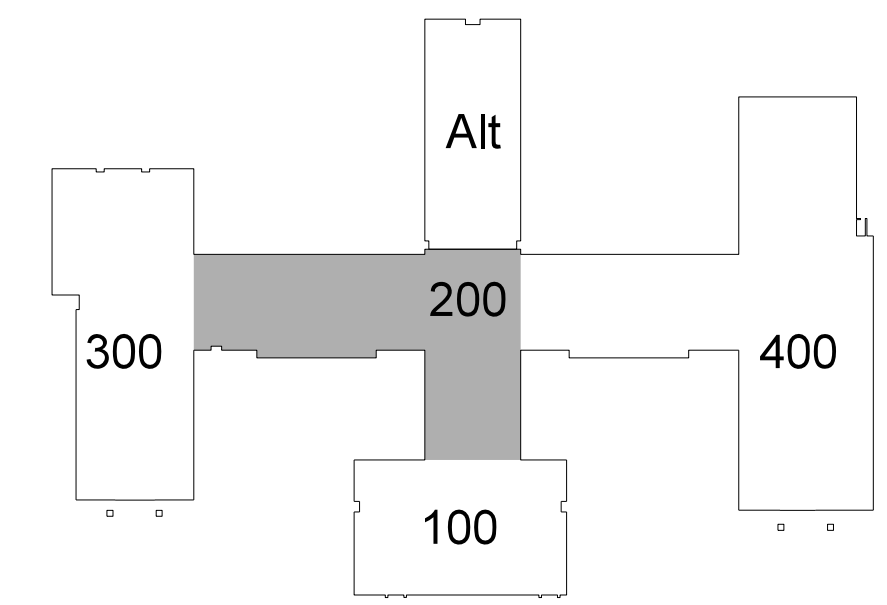
Classroom 202

P-102

P-102

MATCH LINE

MATCH LINE

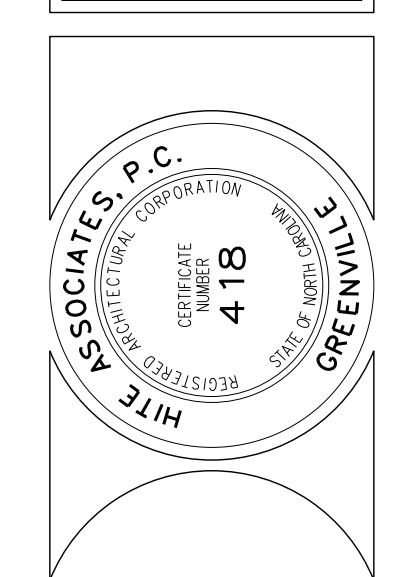


202.1 CLASSROOM WING EQUIPMENT PLATFORM PLUMBING PLAN

SCALE: 1/8" = 1'-0"

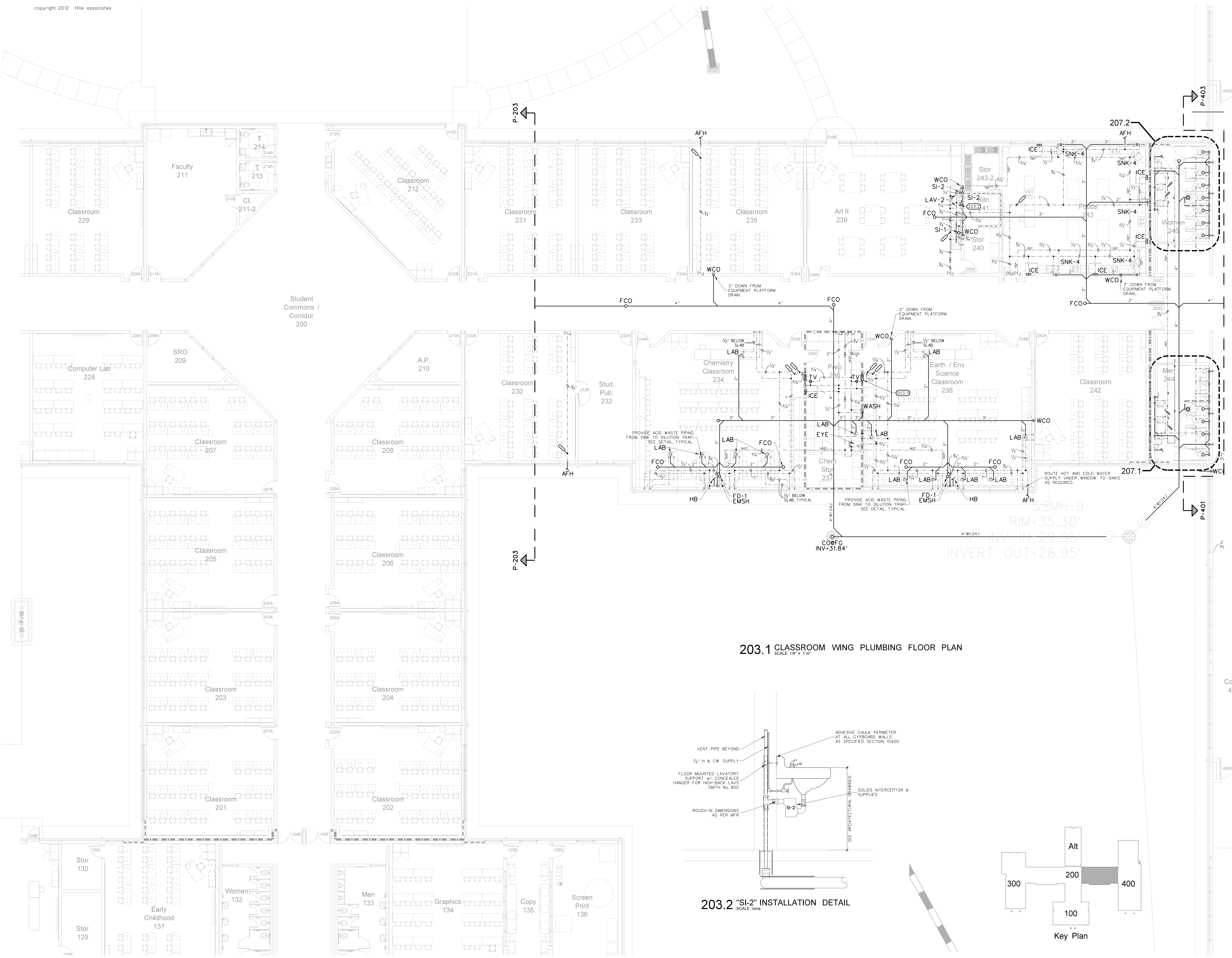
No.	Date	Revision

Hite associates
 ARCHITECTURE / ENGINEERING / TECHNOLOGY
 2600 Meridian Drive / Greenville, NC 27834 / Tel: (252) 757-0333

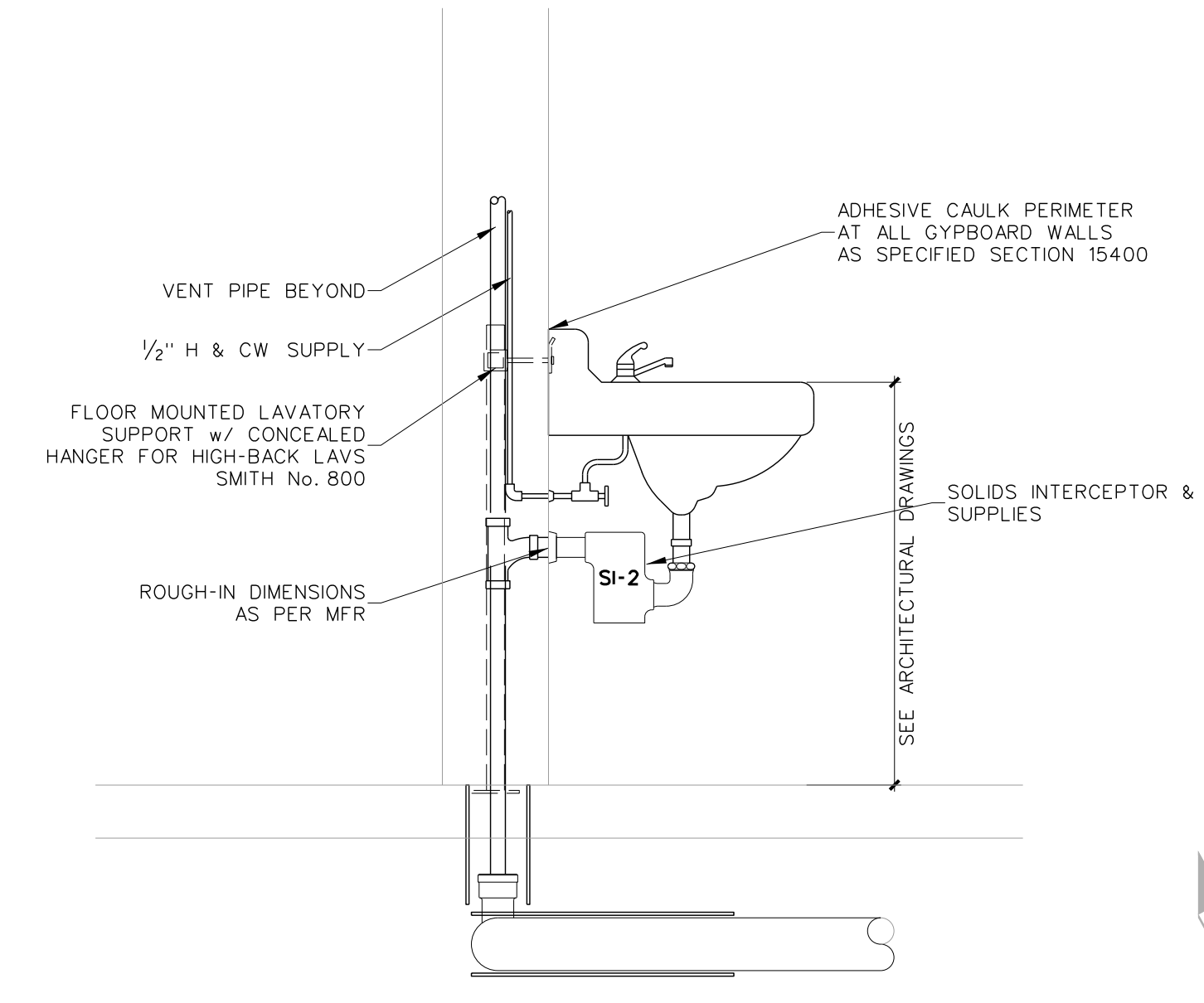


RECORD DRAWING
New Bertie High School
 Bertie County Schools
 716 US 13 North / NCDPS Unit 080 - School 312
 Windsor / Bertie County / North Carolina

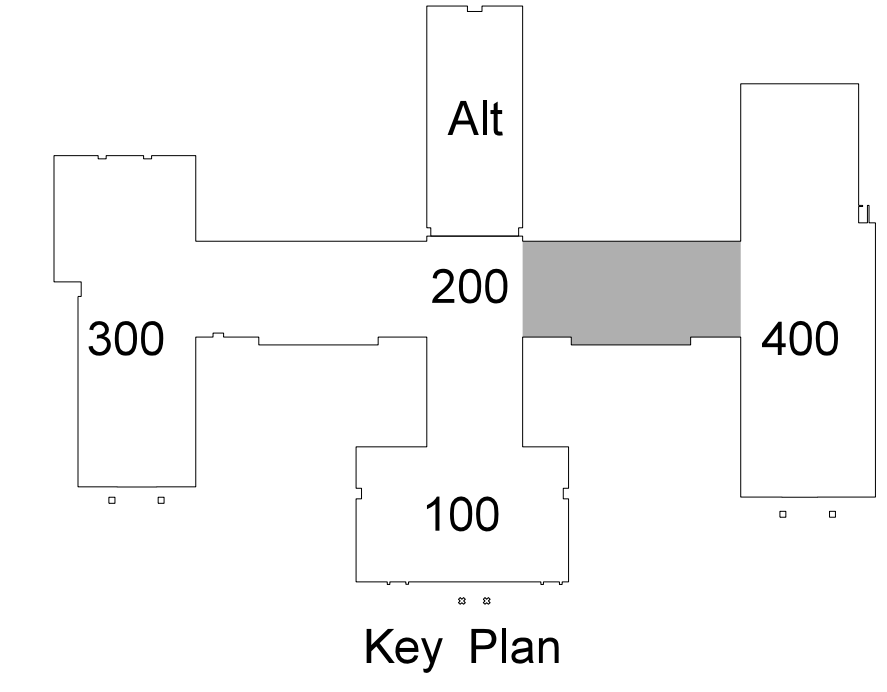
Project No. 21131
 Date: 28 March 2012
 Drawing no. **P 202**



203.1 CLASSROOM WING PLUMBING FLOOR PLAN
SCALE: 1/8" = 1'-0"



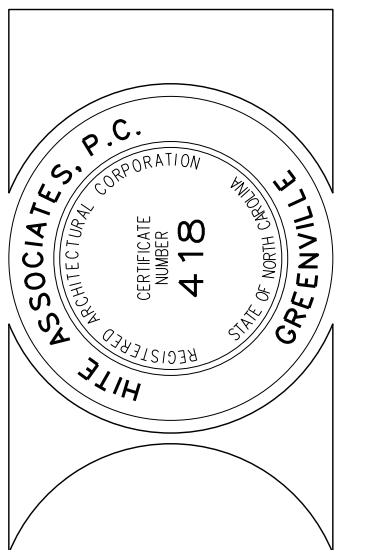
203.2 "SI-2" INSTALLATION DETAIL
SCALE: none



Key Plan

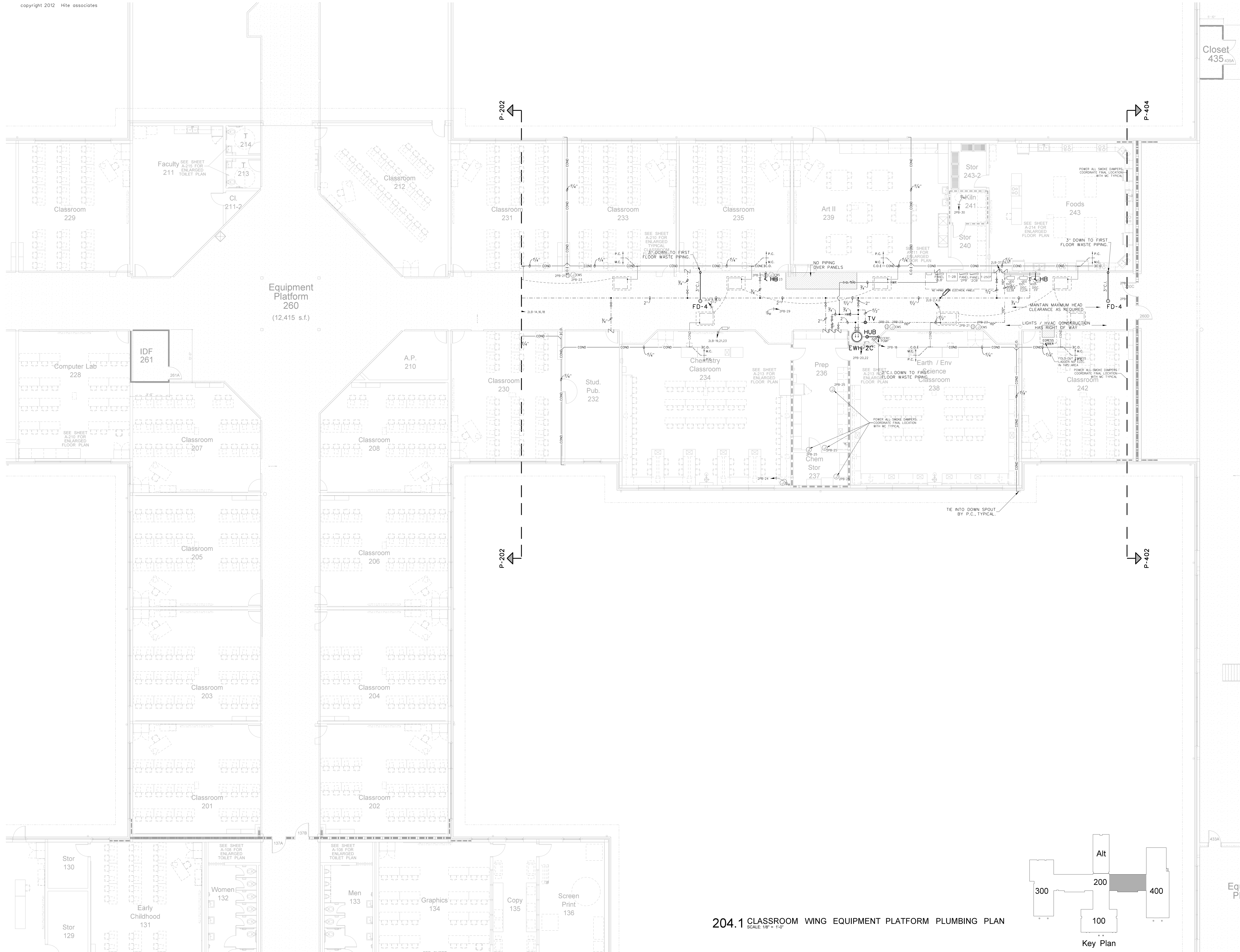
No.	Date	Revision

Hite associates
ARCHITECTURE / ENGINEERING / TECHNOLOGY
2600 Meridian Drive / Greenville, NC 27834 / tel (252) 757-0333



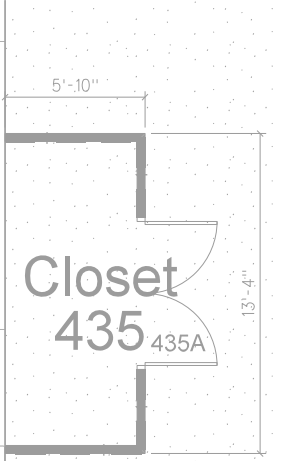
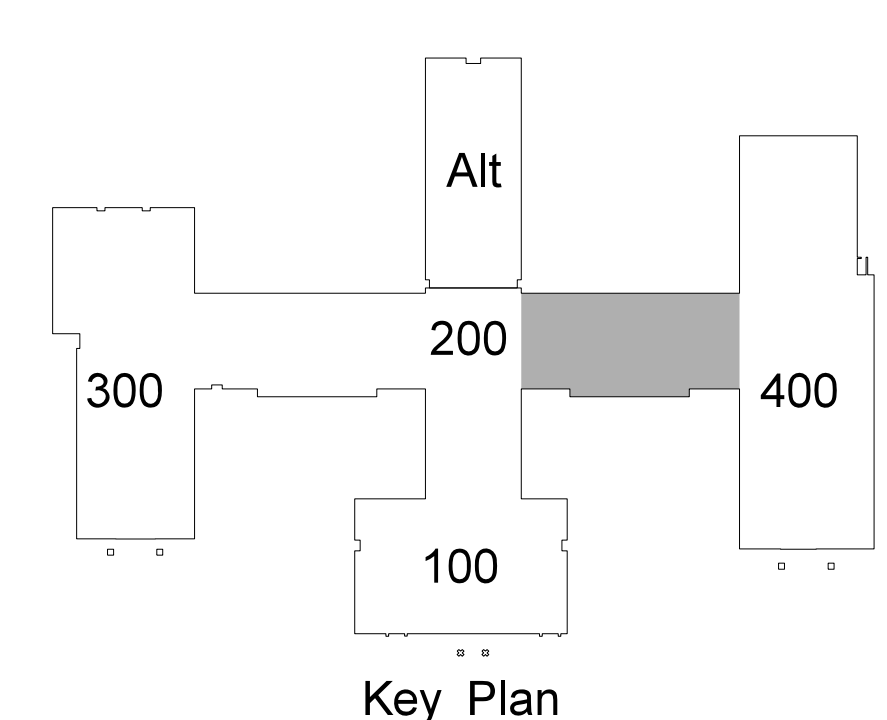
RECORD DRAWING
Bertie High School
 Bertie County Schools
 716 US 13 North / NCDPS Unit 080 - School 312
 Windsor / Bertie County / North Carolina

Project No.	21131
Date	28 March 2012
Drawing no.	P 203



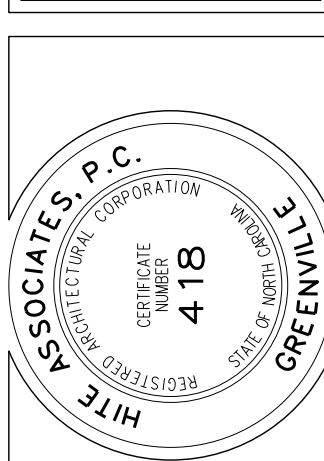
Equipment Platform 260
(12,415 s.f.)

204.1 CLASSROOM WING EQUIPMENT PLATFORM PLUMBING PLAN
SCALE: 1/8" = 1'-0"



No.	Date	Revision

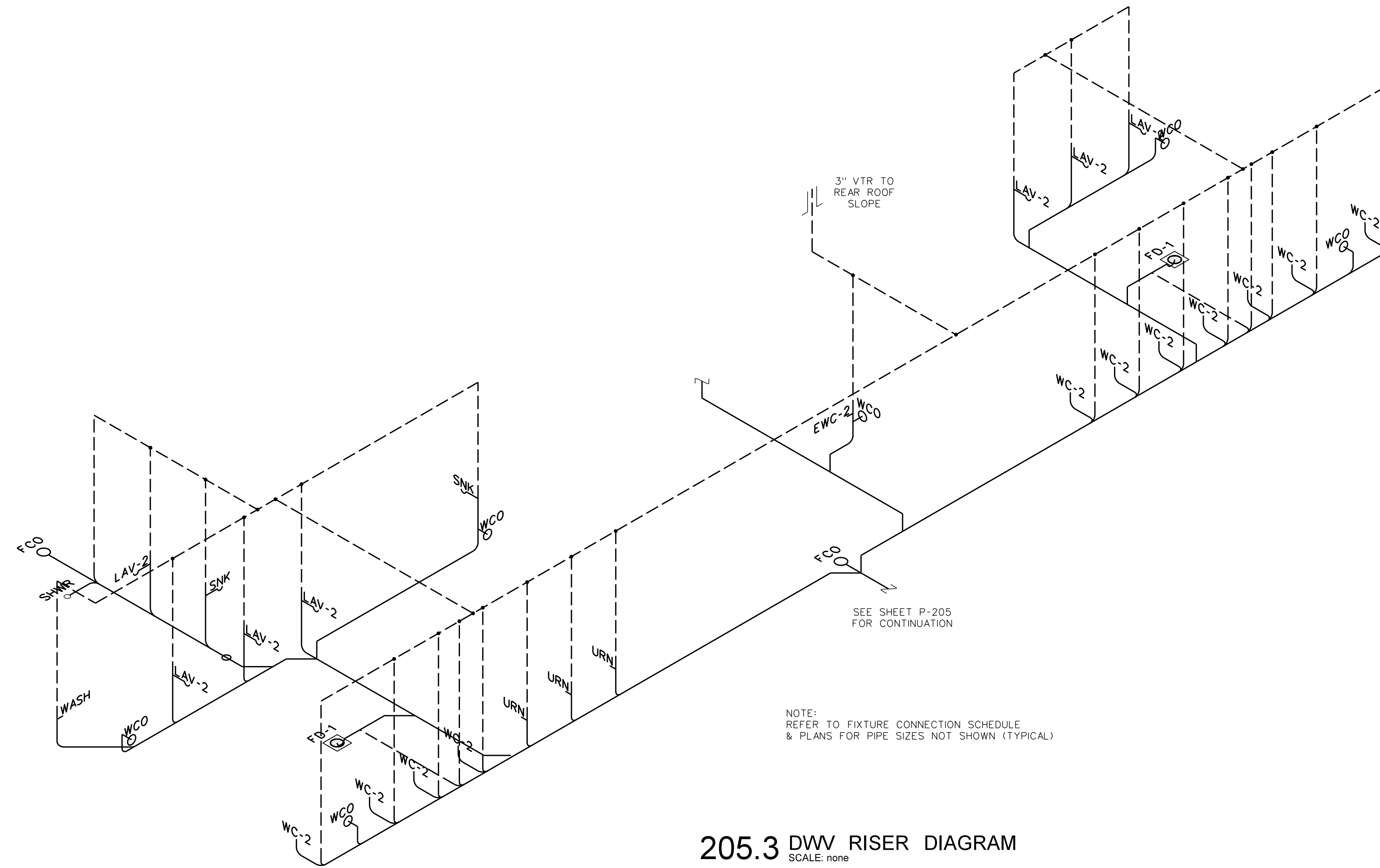
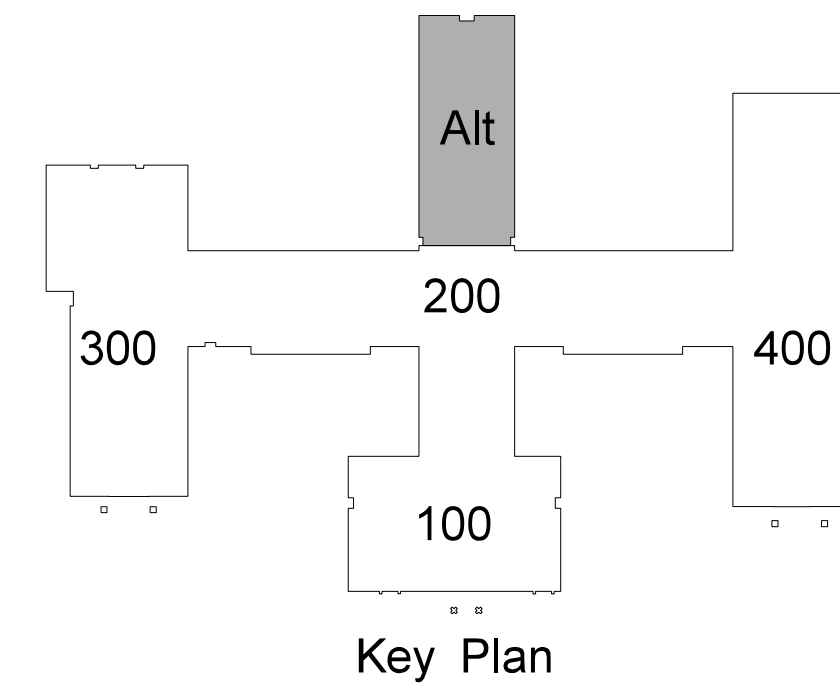
Hite associates
ARCHITECTURE / ENGINEERING / TECHNOLOGY
2600 Meridian Drive / Greenville, NC 27834 / tel (252) 757-0333



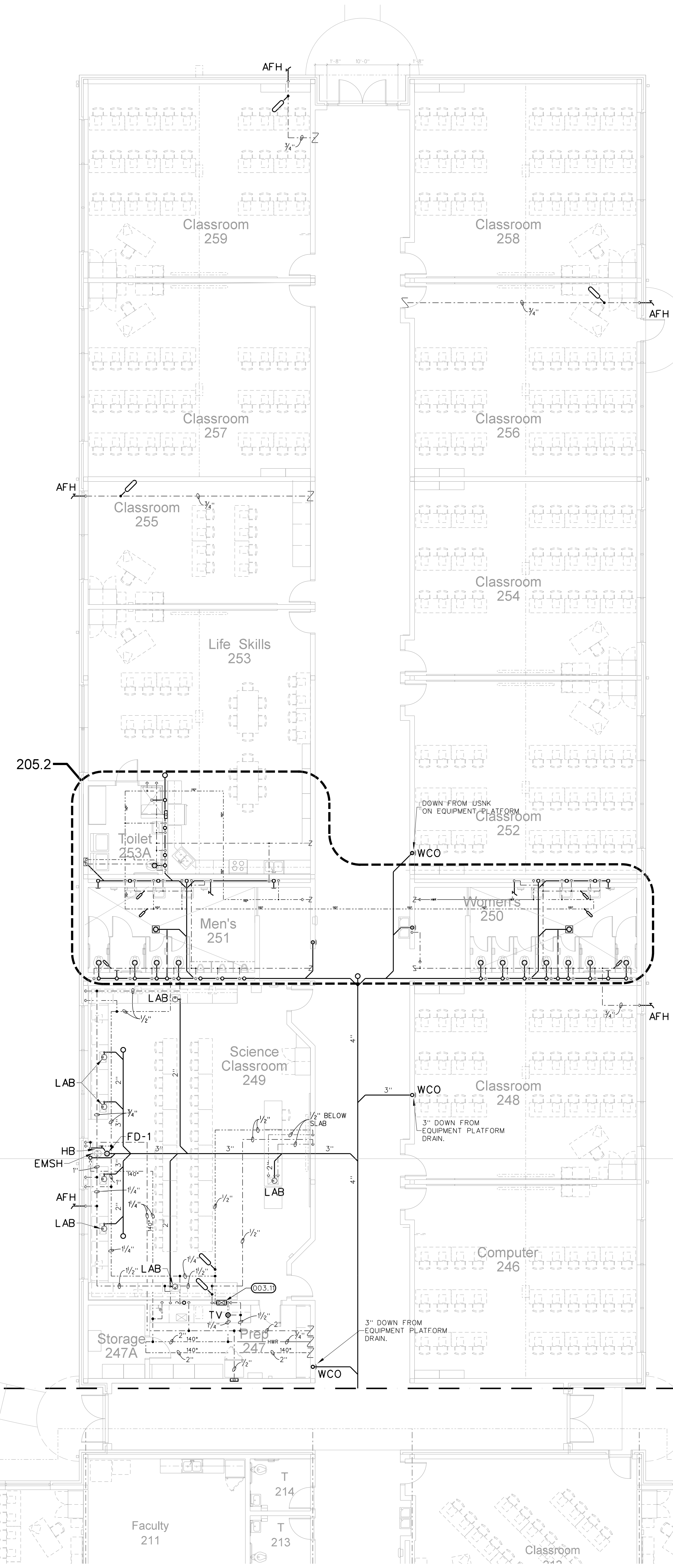
RECORD DRAWING
Bertie High School
 Bertie County Schools
 716 US 13 North / NCDPS Unit 080 - School 312
 Windsor / Bertie County / North Carolina

Project No. 21131
Date: 28 March 2012
Drawing no. **P 204**

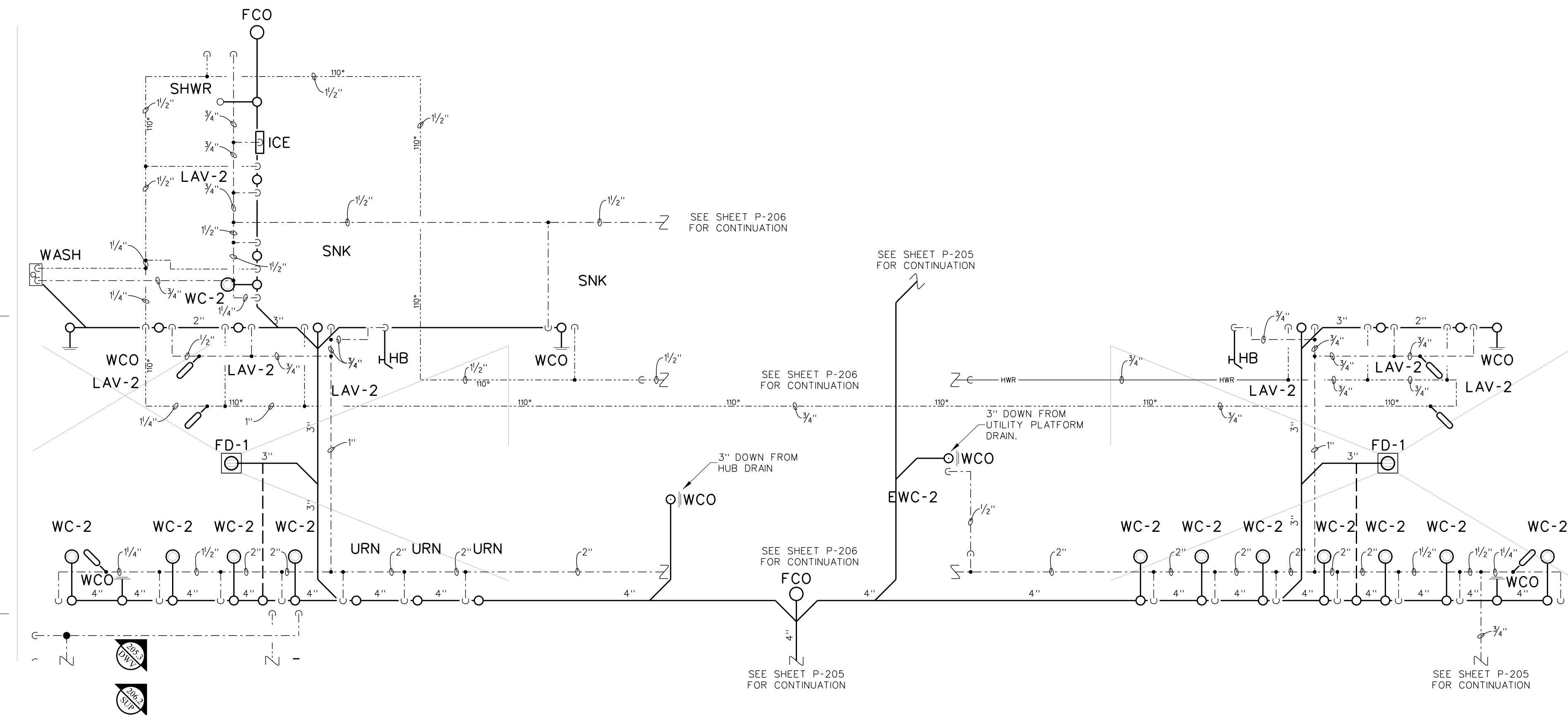
Equipme Platform 433



205.3 DW RISER DIAGRAM
SCALE: none



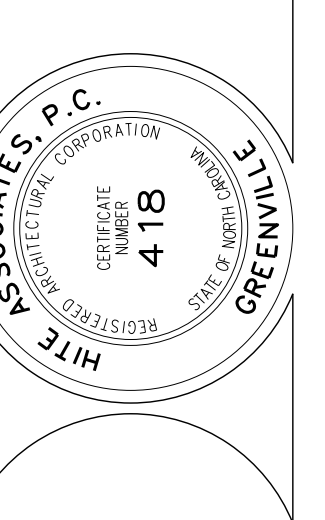
205.1 ALTERNATE CLASSROOM WING PLUMBING FLOOR PLAN
SCALE: 1/8" = 1'-0"



205.2 ENLARGED PLUMBING PLAN
SCALE: 1/8" = 1'-0"

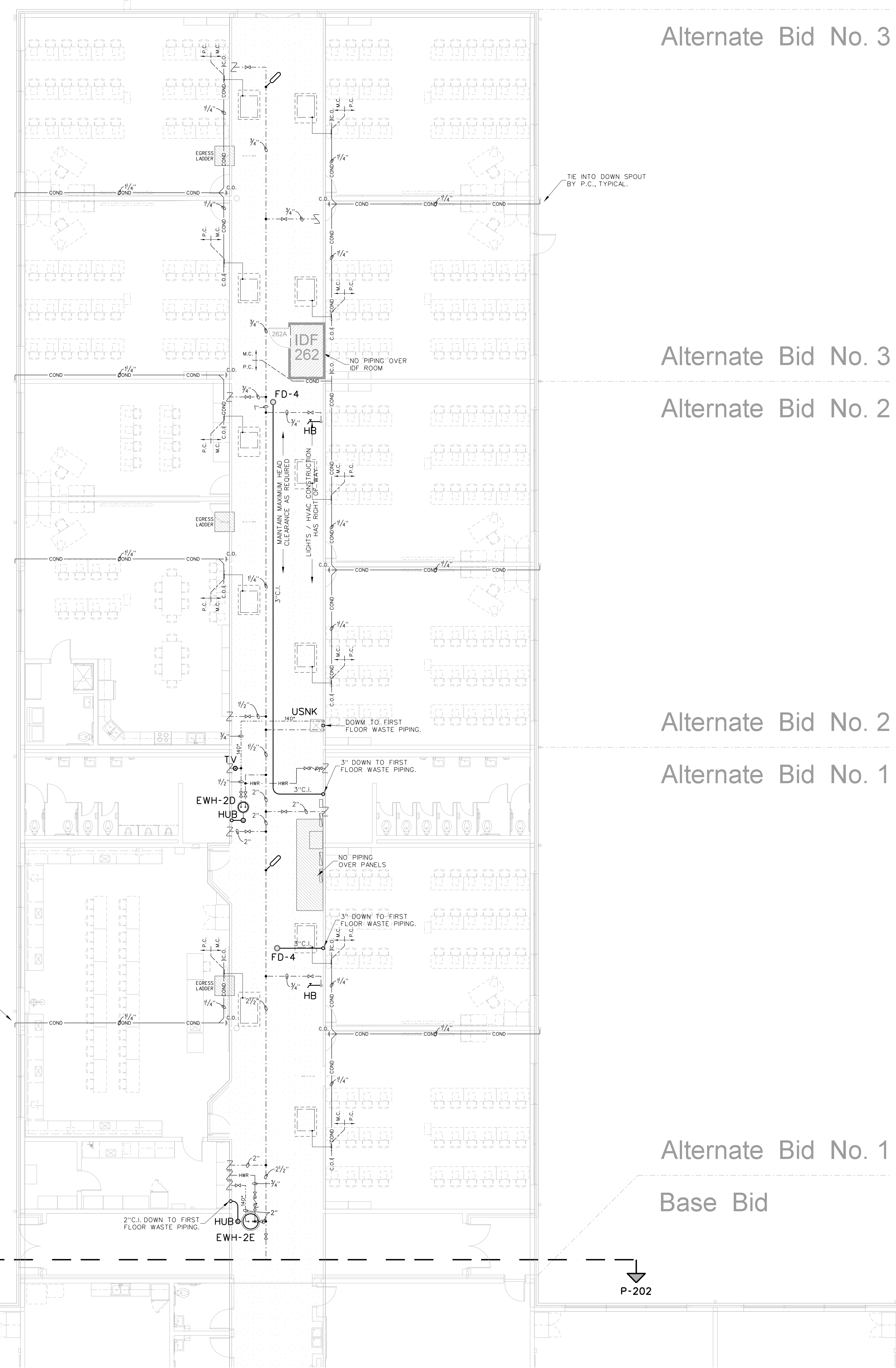
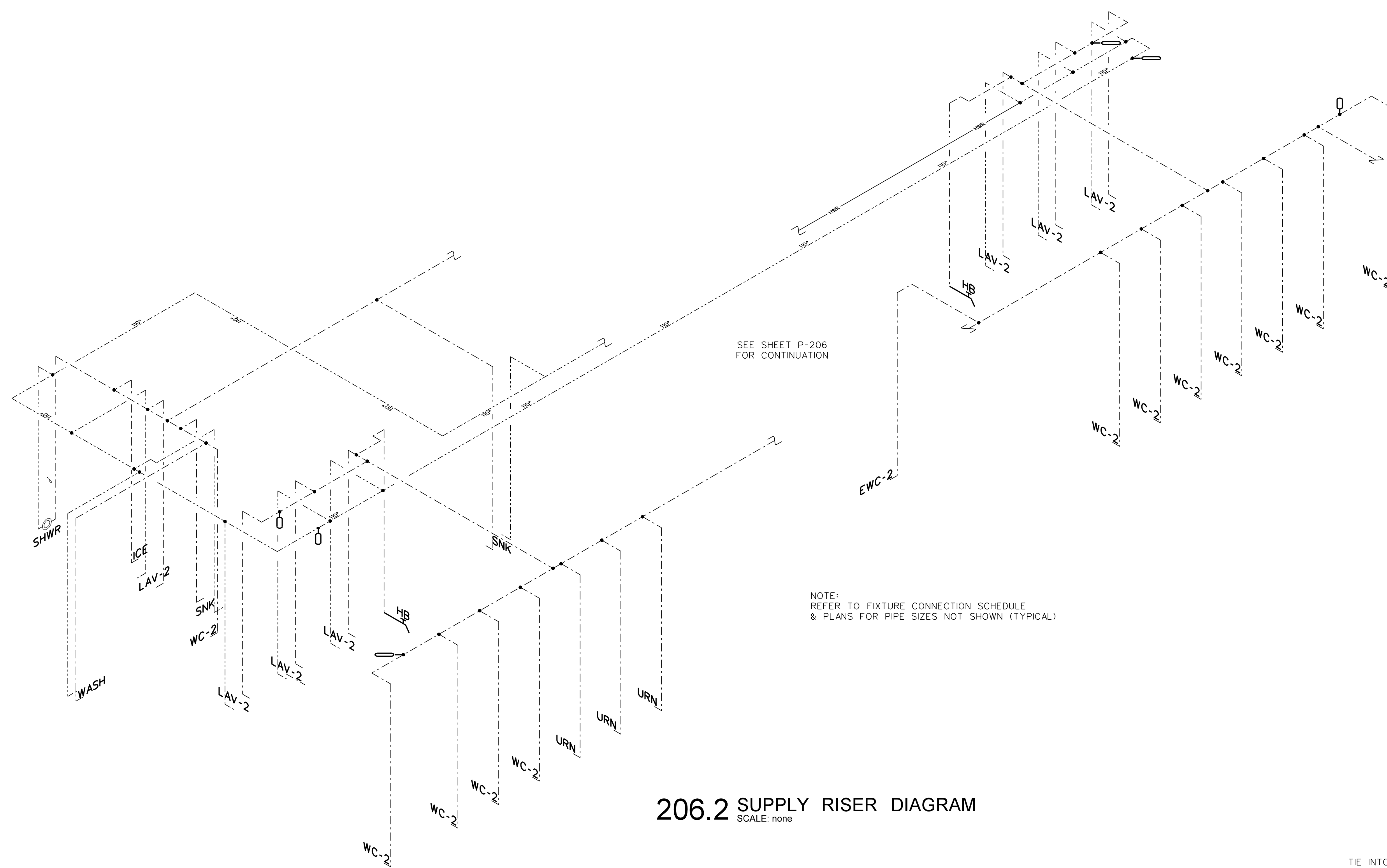
No.	Date	Revision

Hite associates
ARCHITECTURE / ENGINEERING / TECHNOLOGY
2600 Meridian Drive / Greenville, NC 27834 / tel (252) 757-0333



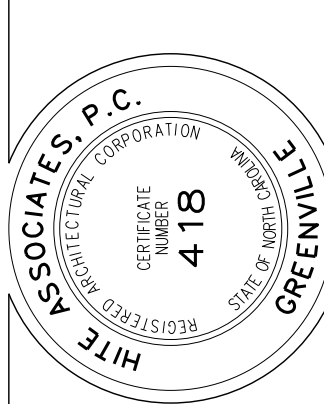
RECORD DRAWING
New Bertie High School
Bertie County Schools
716 US 13 North / NCDPS Unit 080 - School 312
Windsor / Bertie County / North Carolina

Project No. 21131
Date: 28 March 2012
Drawing no. **P 205**



No.	Date	Revision

Hite associates
ARCHITECTURE / ENGINEERING / TECHNOLOGY
2600 Meridian Drive / Greenville, NC 27834 / tel (252) 757-0333



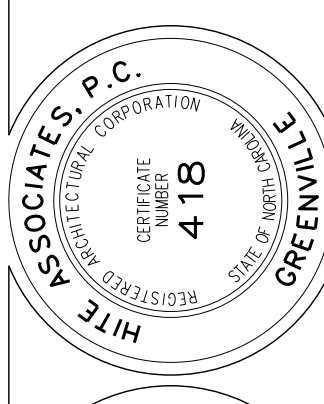
RECORD DRAWING

Bertie High School
Bertie County Schools
716 US 13 North / NCDPS Unit 080 - School 312
Windsor / Bertie County / North Carolina

Project No. 21131
Date: 28 March 2012
Drawing no. **P 206**

No.	Date	Revision

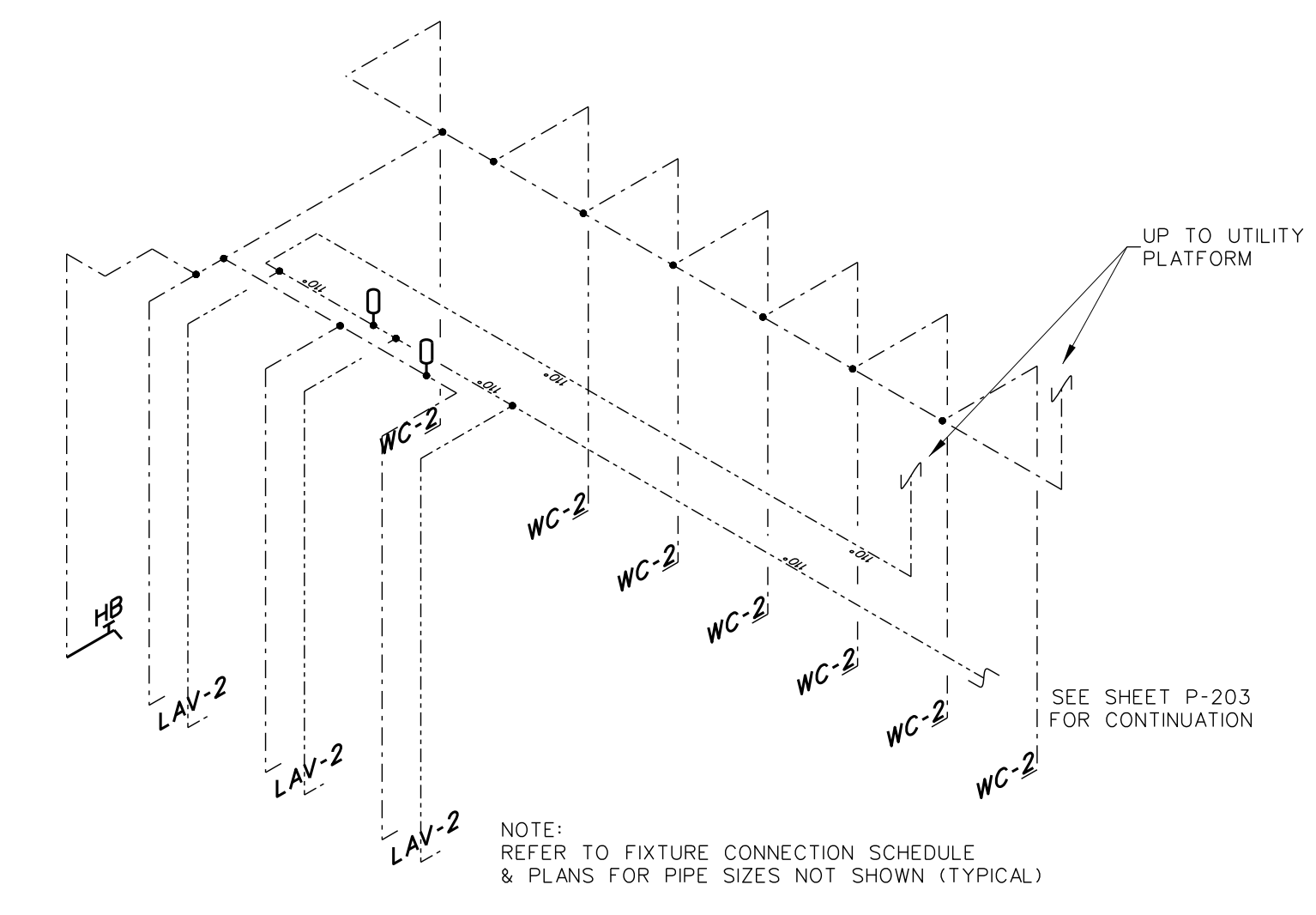
Hite associates
 ARCHITECTURE / ENGINEERING / TECHNOLOGY
 2600 Meridian Drive / Greenville, NC 27834 / tel (252) 757-0333



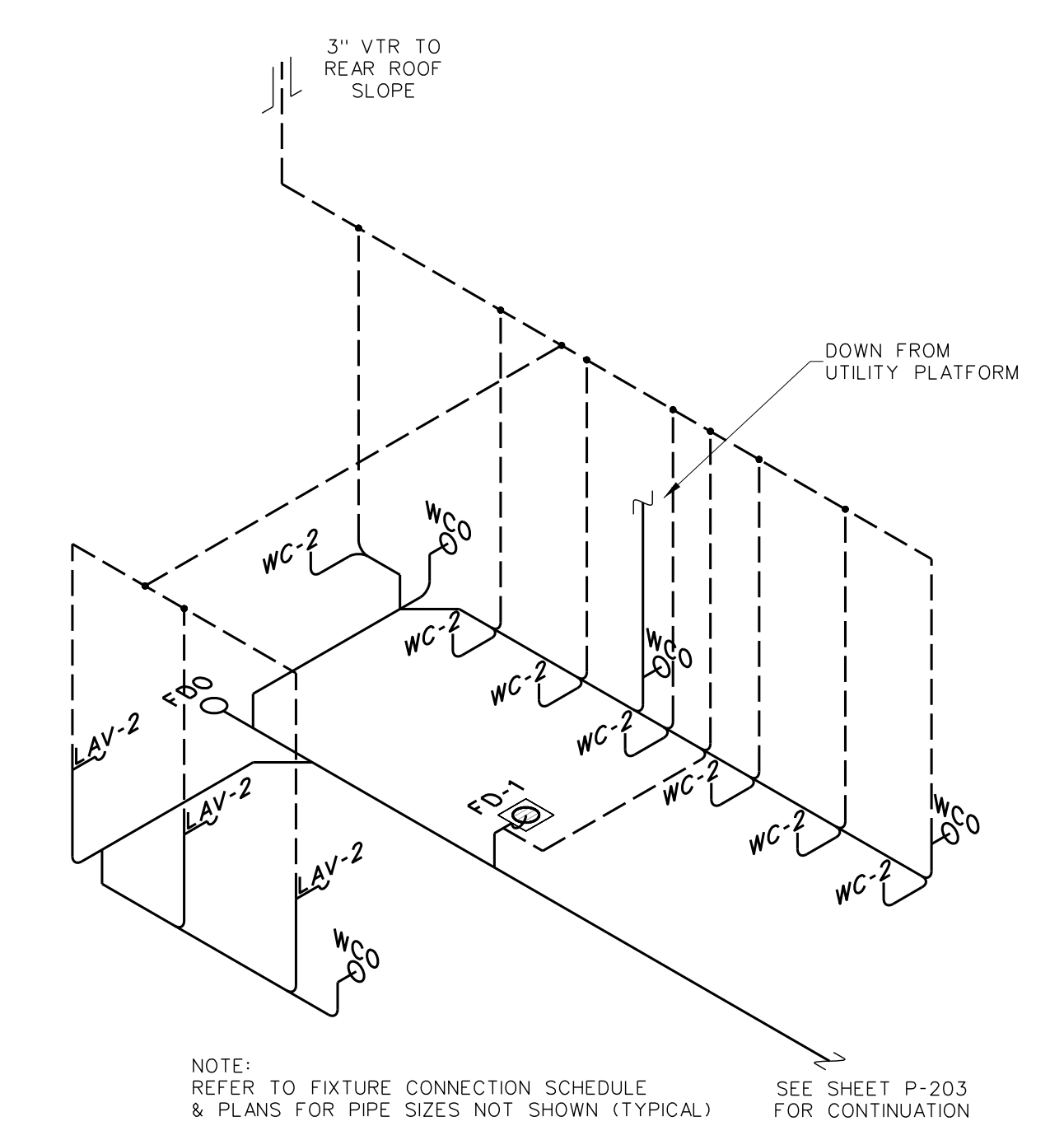
RECORD
 DRAWING

RECORD DRAWING
 Bertie High School
 Bertie County Schools
 716 US 13 North / NCDPS Unit 080 - School 3112
 Windsor / Bertie County / North Carolina

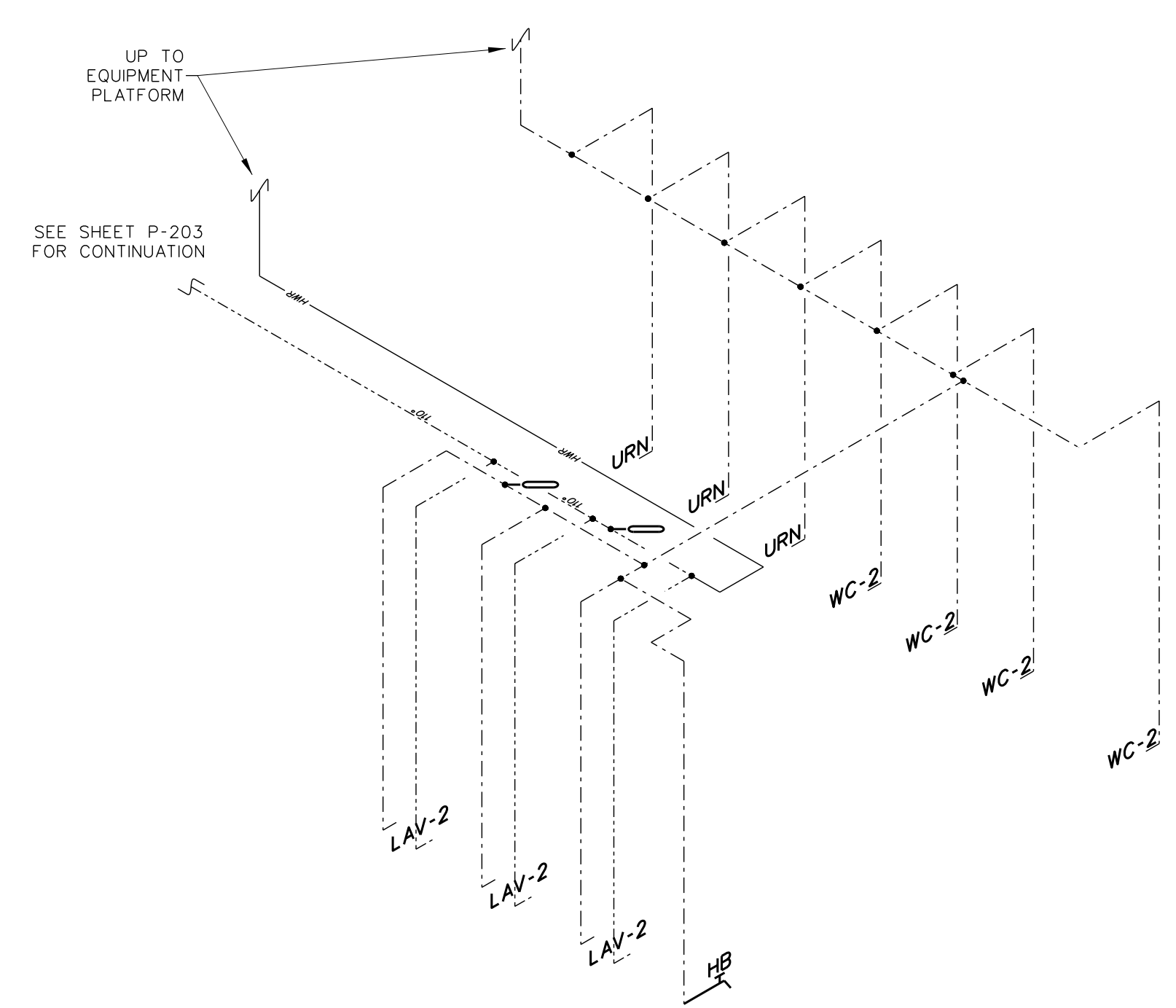
Project No. 21131
 Date: 28 March 2012
 Drawing no. **P 207**



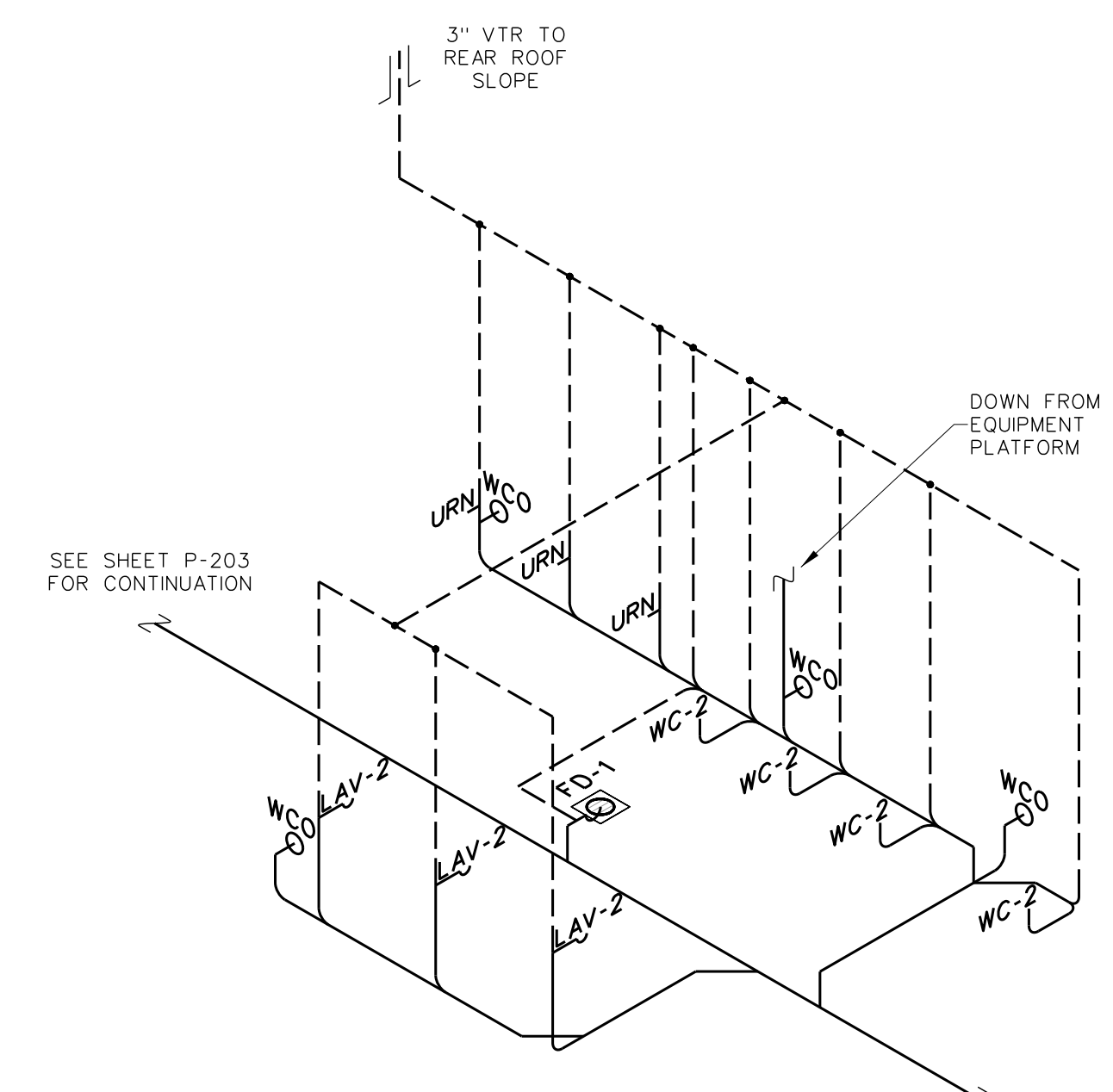
207.6 WOMEN'S TOILET 245 SUPPLY RISER DIAGRAM
 SCALE: none



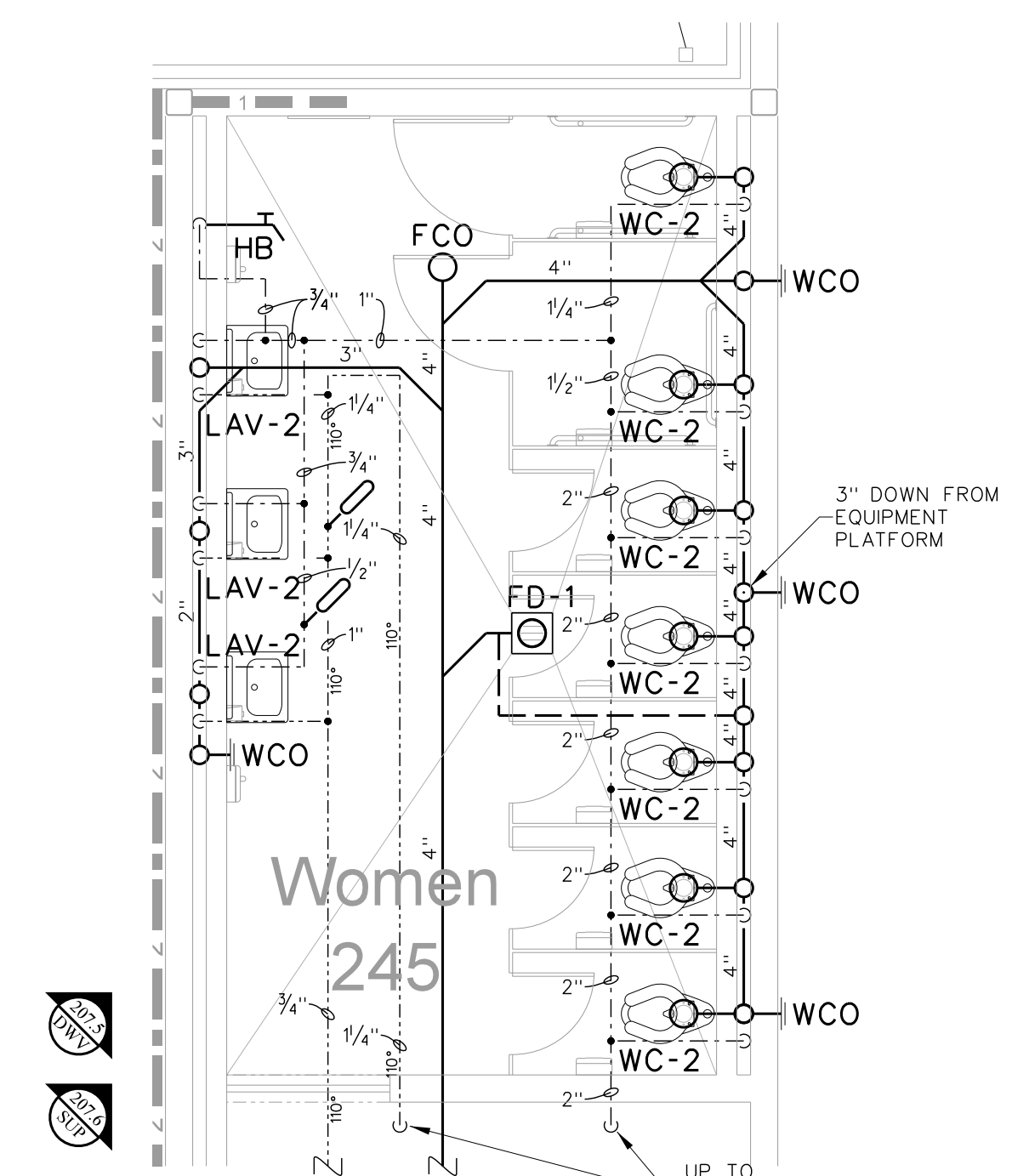
207.5 WOMEN'S TOILET 245 DWW RISER DIAGRAM
 SCALE: none



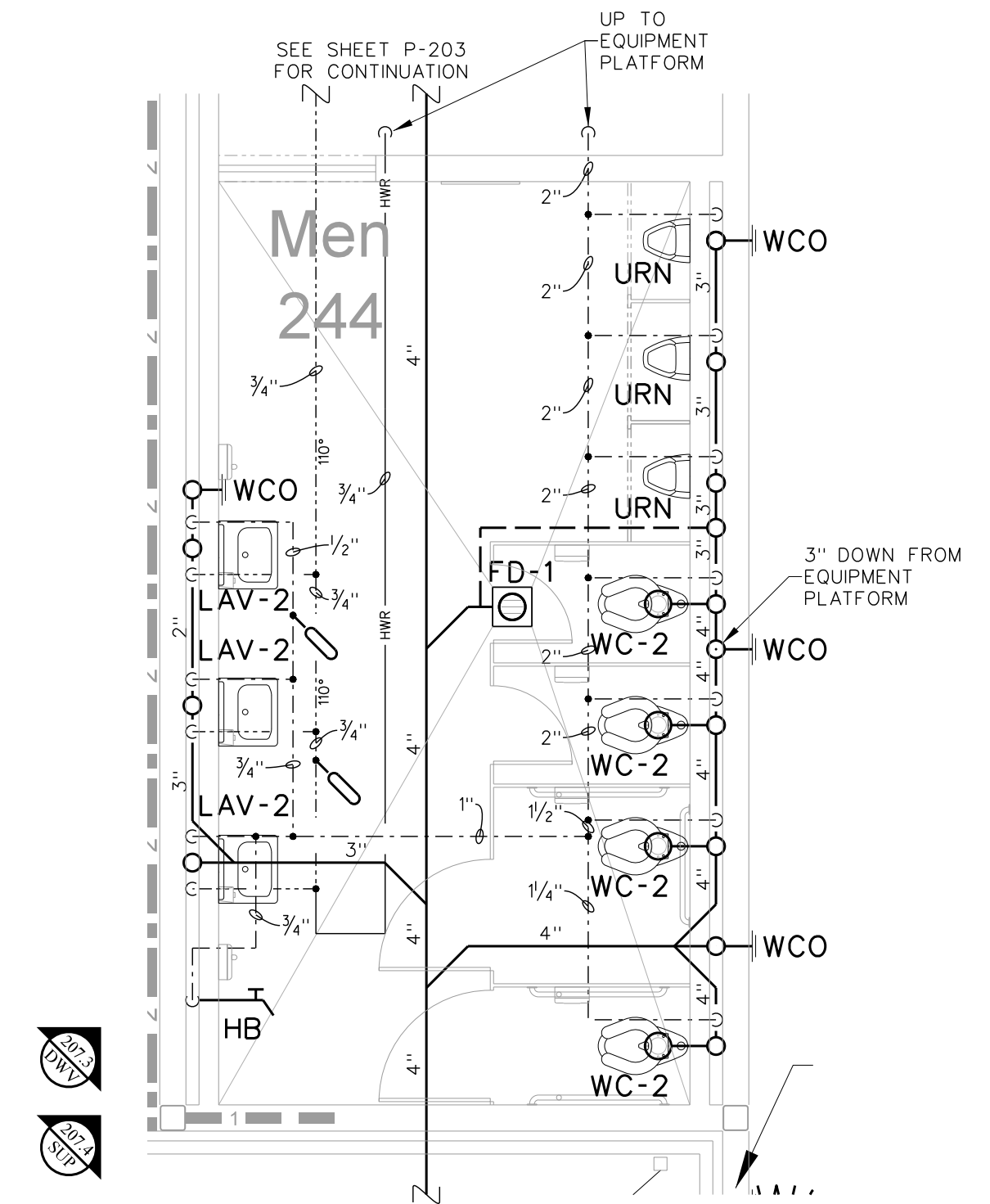
207.4 MEN'S TOILET 244 SUPPLY RISER DIAGRAM
 SCALE: none



207.3 MEN'S TOILET 244 DWW RISER DIAGRAM
 SCALE: none



207.2 WOMEN'S TOILET 245 ENLARGED PLAN
 SCALE: 1/4" = 1'-0"



207.1 MEN'S TOILET 244 ENLARGED PLAN
 SCALE: 1/4" = 1'-0"

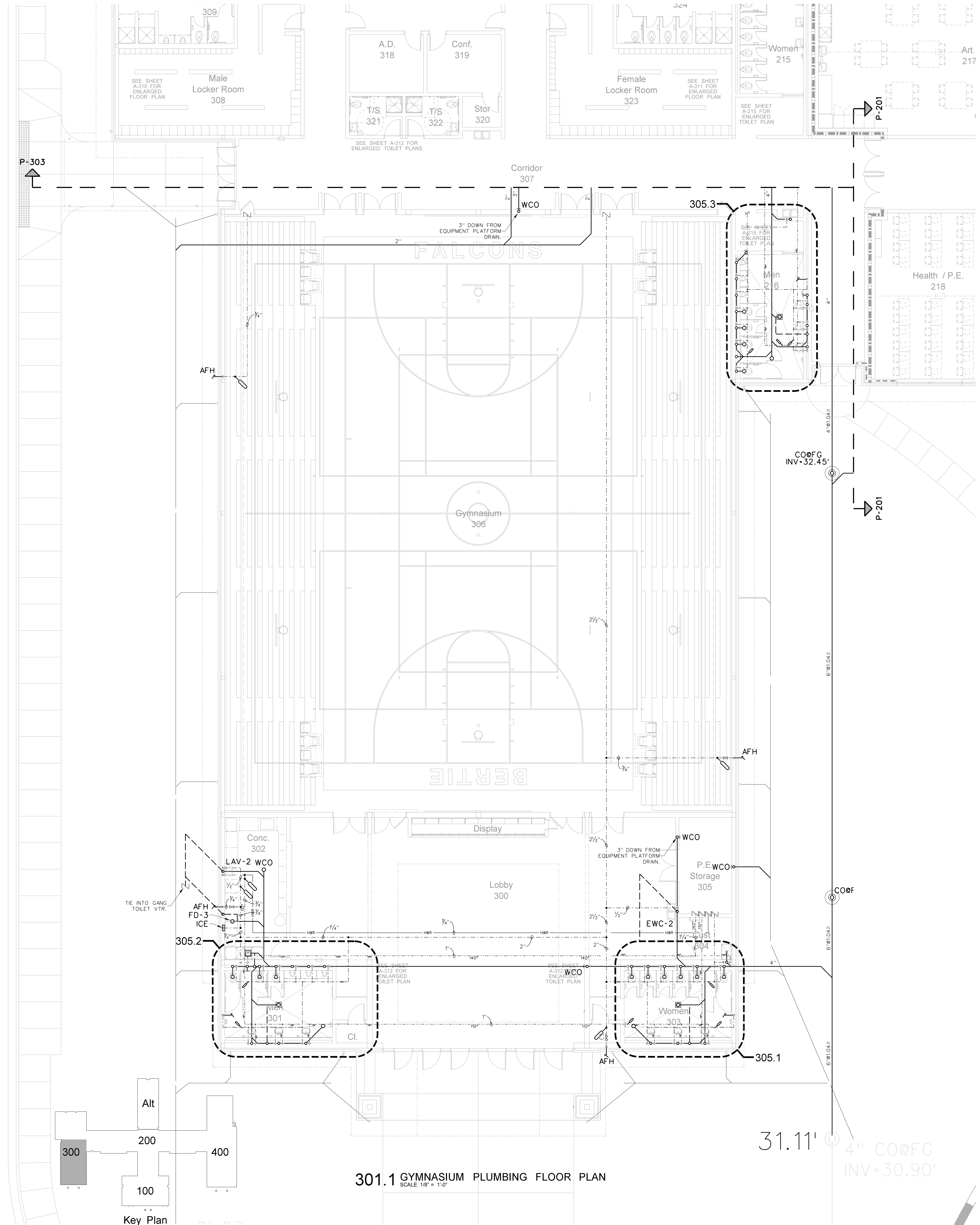
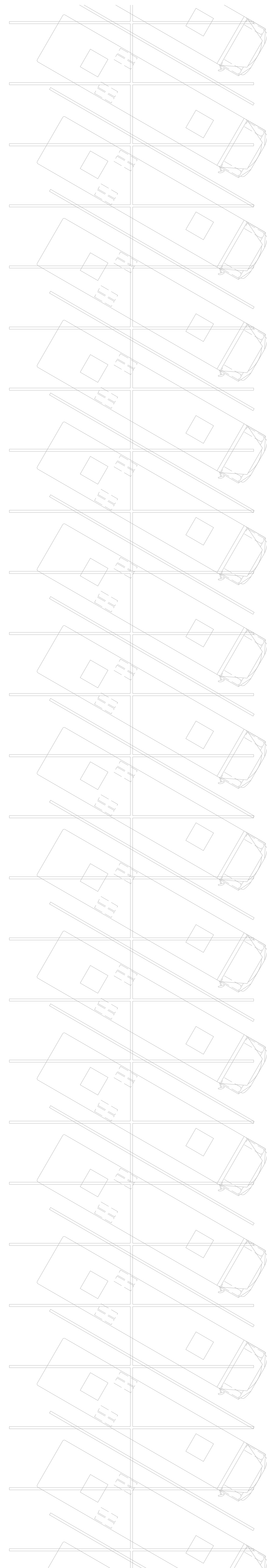
UE

UE

UE

UE

UE



P-303

P-201

P-201

CO@FG INV-32.45'

CO@FG

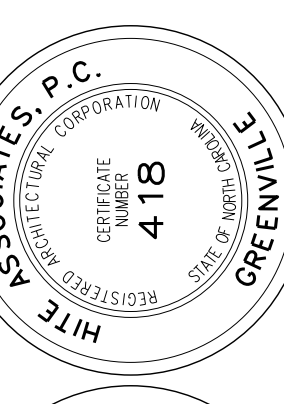
31.11' 4" CO@FG INV=30.90'

301.1 GYMNASIUM PLUMBING FLOOR PLAN
SCALE: 1/8" = 1'-0"

Key Plan

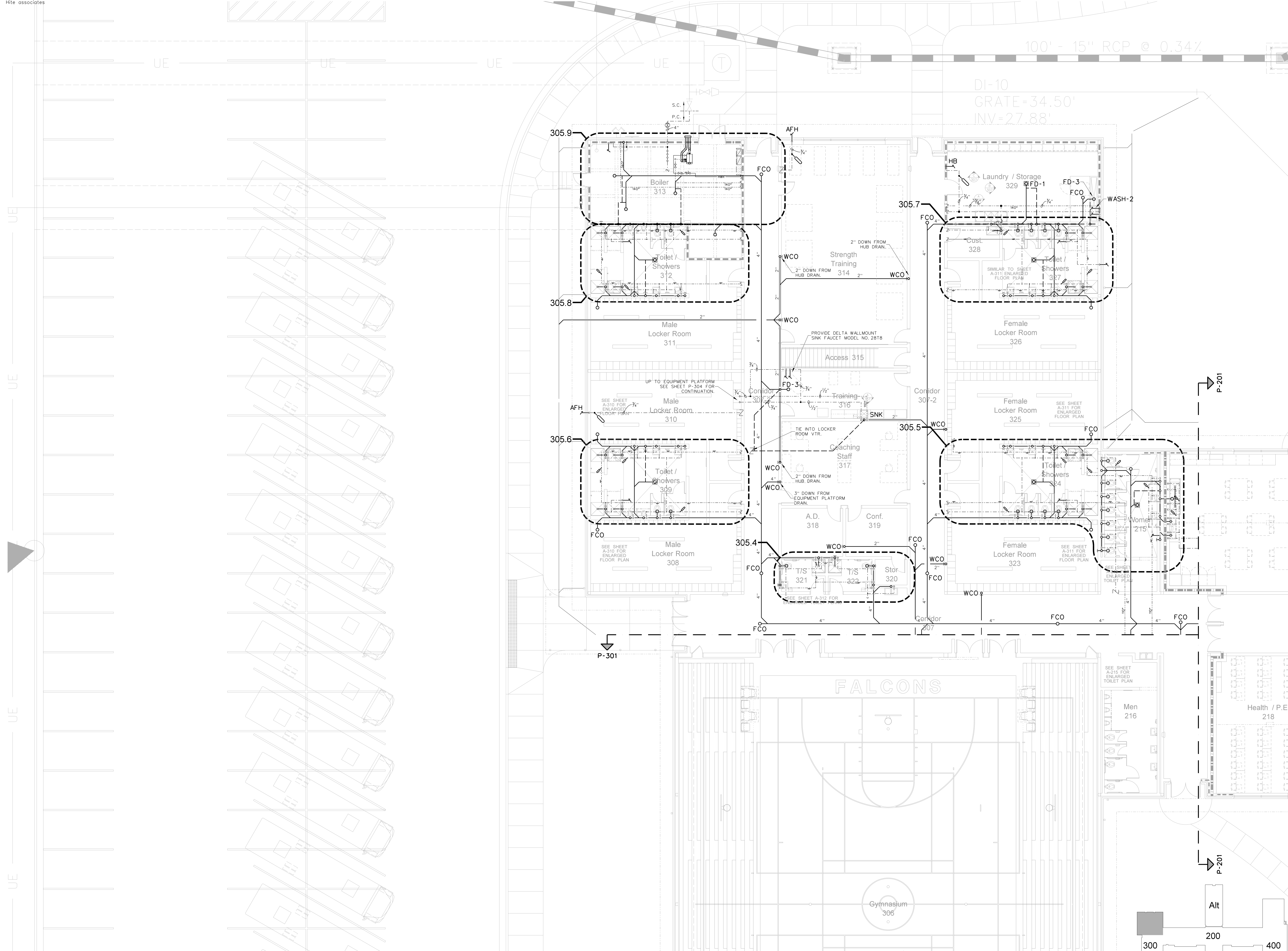
No.	Date	Revision

Hite associates
 ARCHITECTURE / ENGINEERING / TECHNOLOGY
 2600 Meridian Drive / Greenville, NC 27834 / tel (252) 757-0333

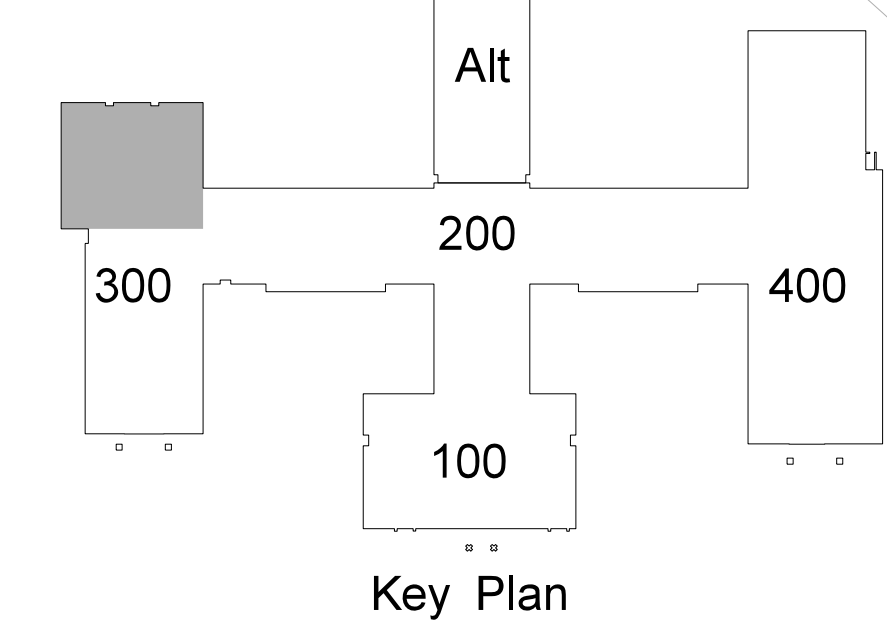


RECORD DRAWING
Bertie High School
 Bertie County Schools
 716 US 13 North / NCDPS Unit 080 - School 312
 Windsor / Bertie County / North Carolina

Project No. 21131
 Date: 28 March 2012
 Drawing no. **P 301**

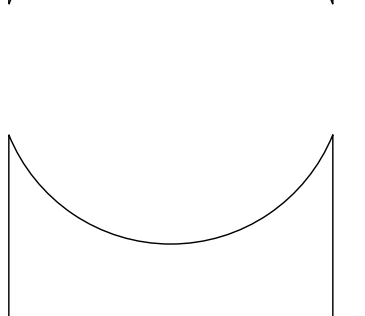
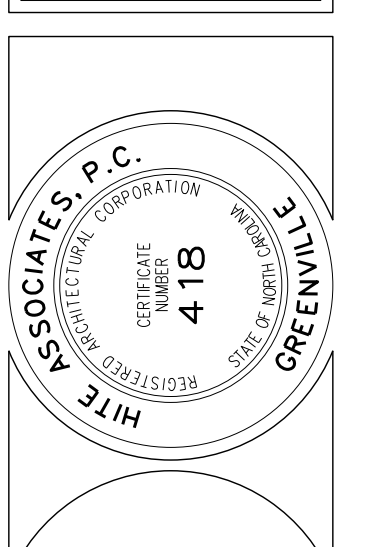


303.1 GYMNASIUM PLUMBING FLOOR PLAN
SCALE: 1/8" = 1'-0"



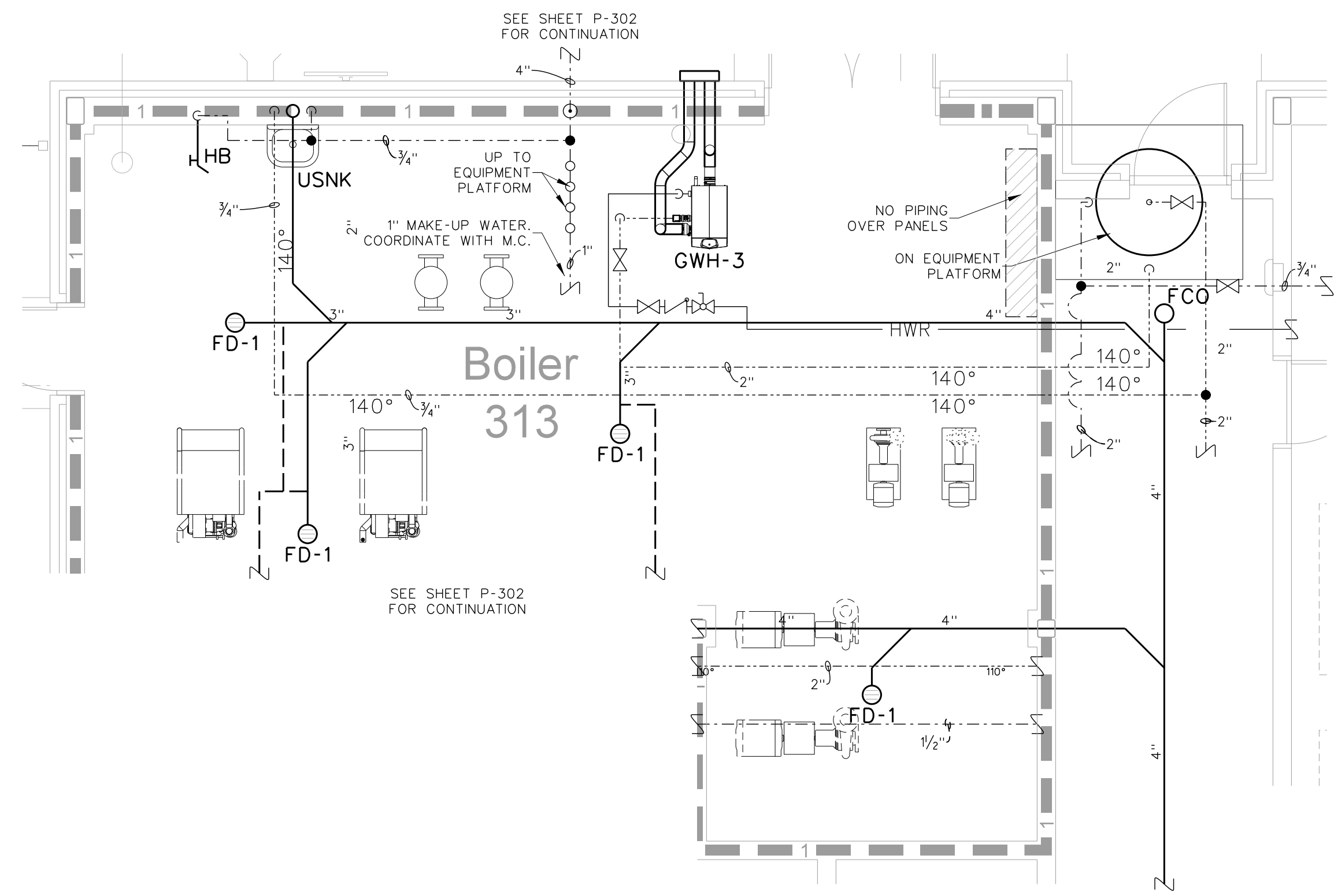
No.	Date	Revision

Hite associates
 ARCHITECTURE / ENGINEERING / TECHNOLOGY
 2600 Meridian Drive / Greenville, NC 27834 / tel (252) 757-0333

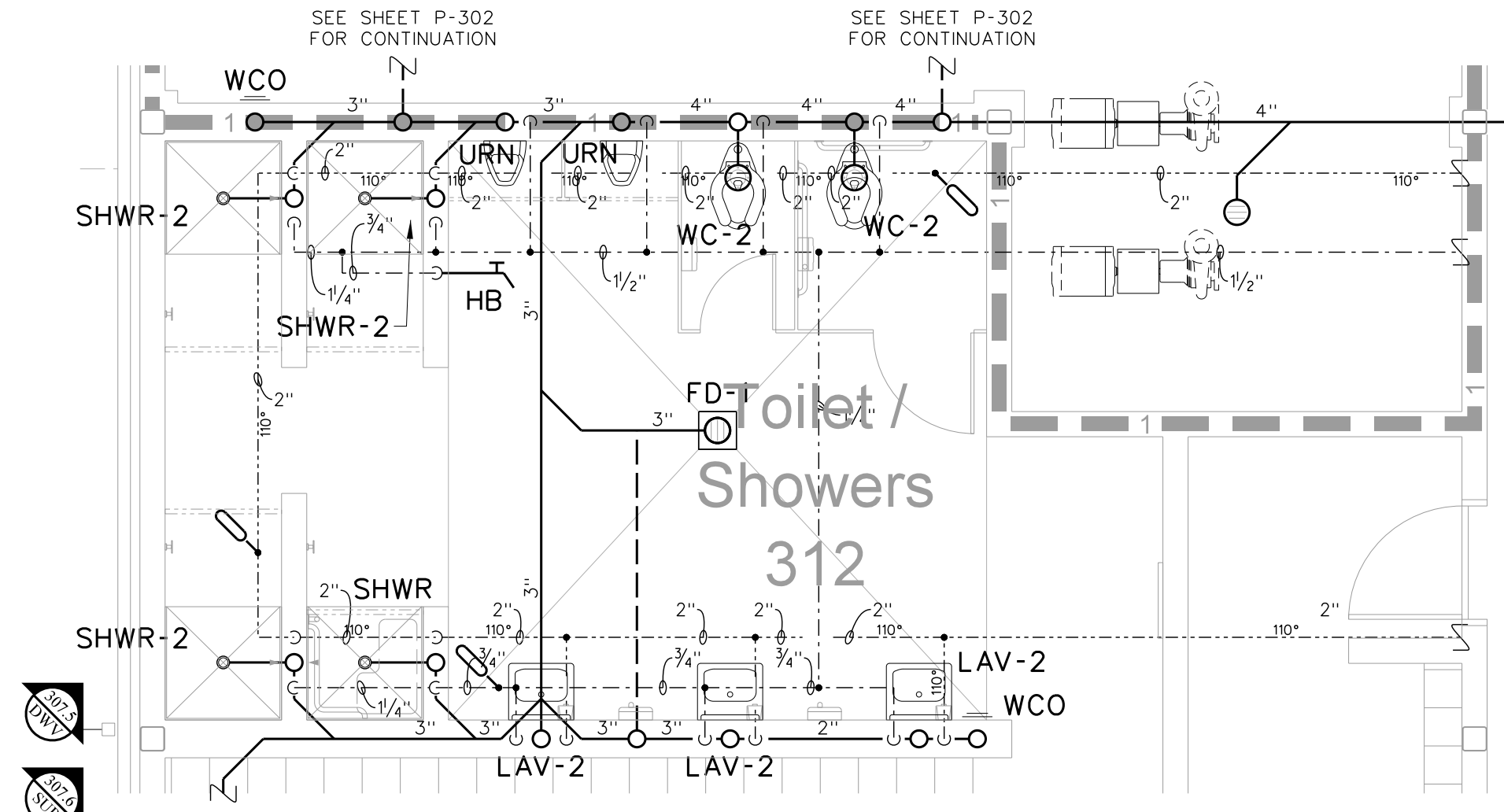


RECORD DRAWING
New Bertie High School
 Bertie County Schools
 716 US 13 North / NCDPS Unit 080 - School 312
 Windsor / Bertie County / North Carolina

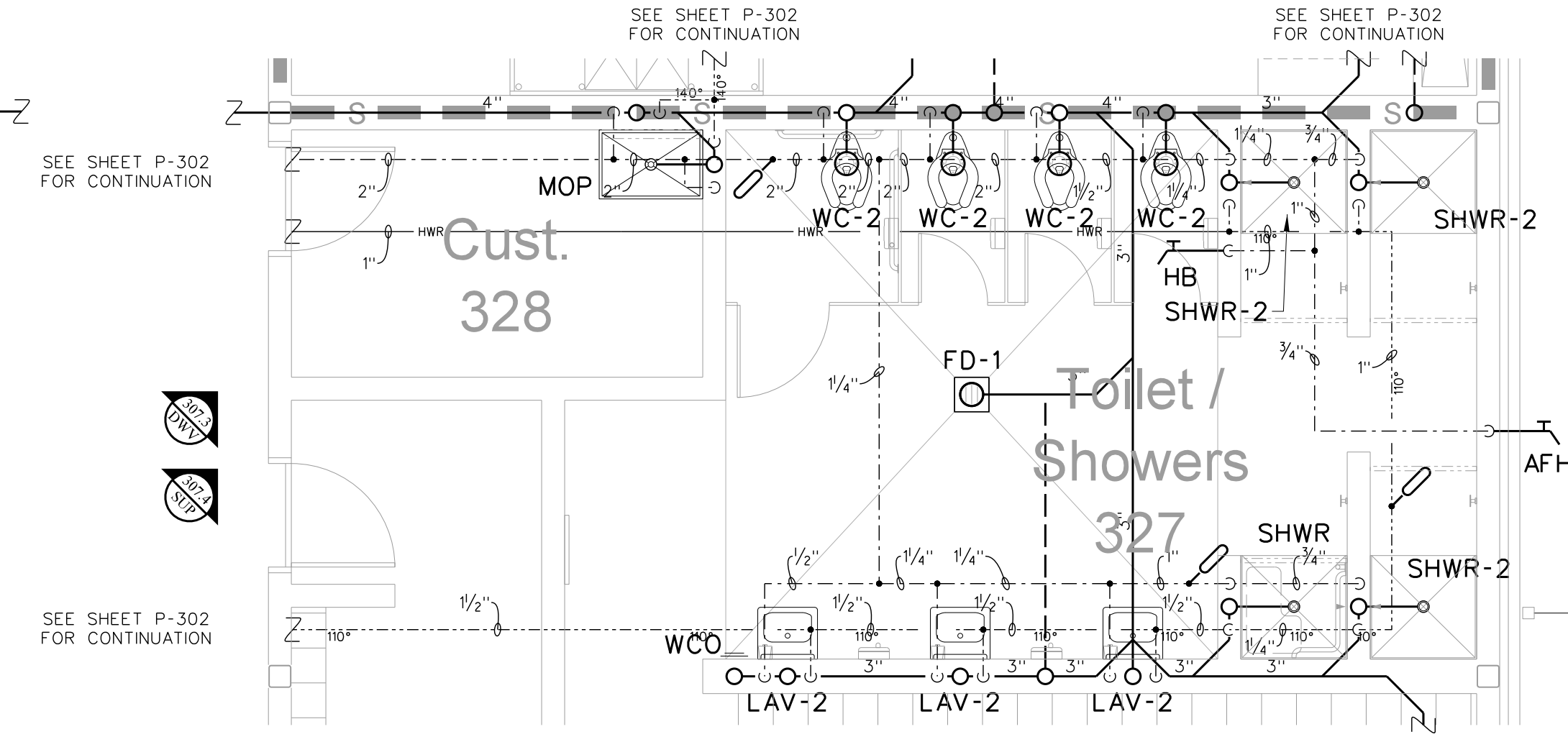
Project No. 21131
 Date: 28 March 2012
 Drawing no. **P 303**



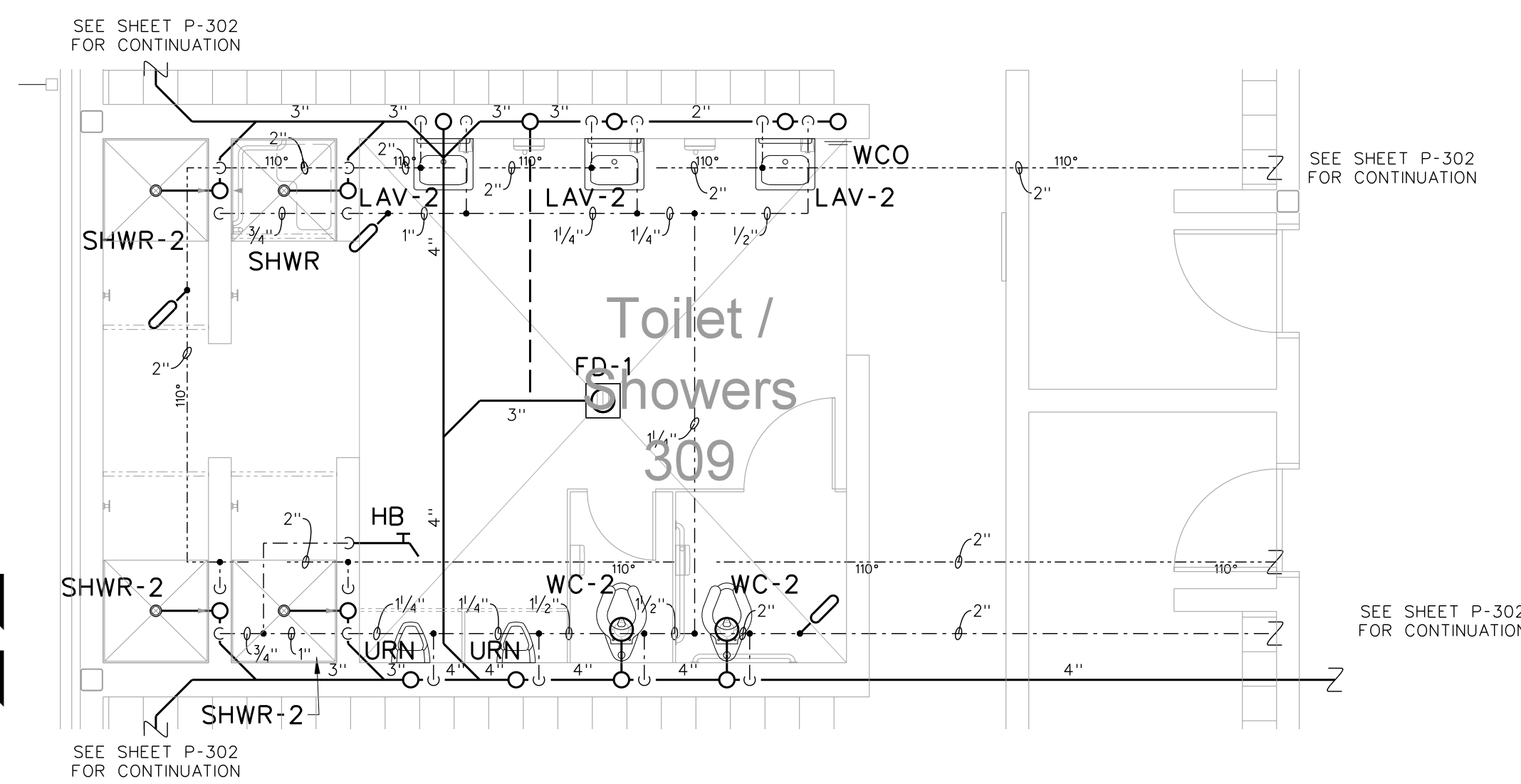
305.9 ENLARGED BOILER ROOM PLUMBING PLAN
SCALE: 1/4" = 1'-0"



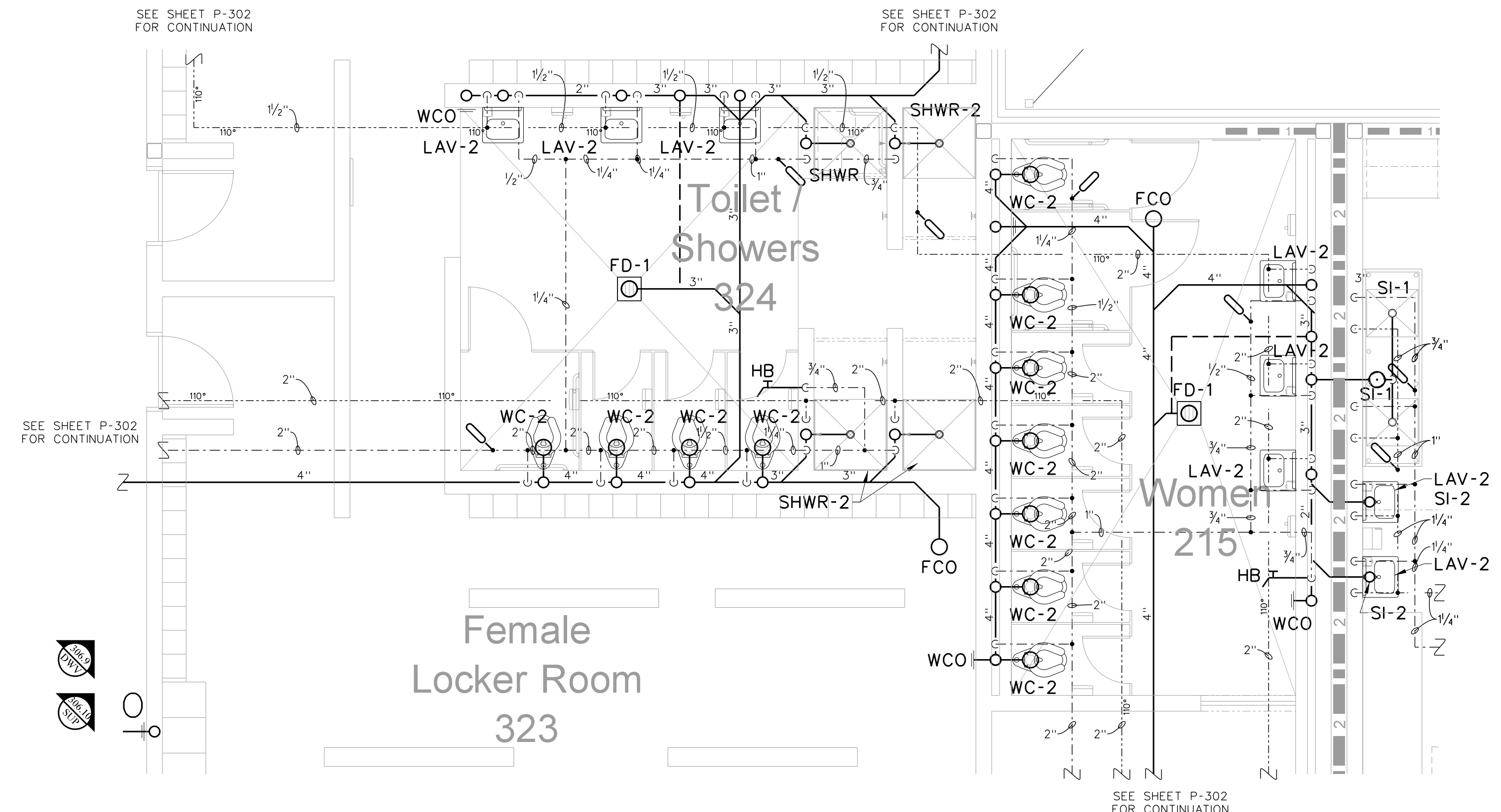
305.8 TOILET/SHOWERS 312 ENLARGED PLUMBING PLAN
SCALE: 1/4" = 1'-0"



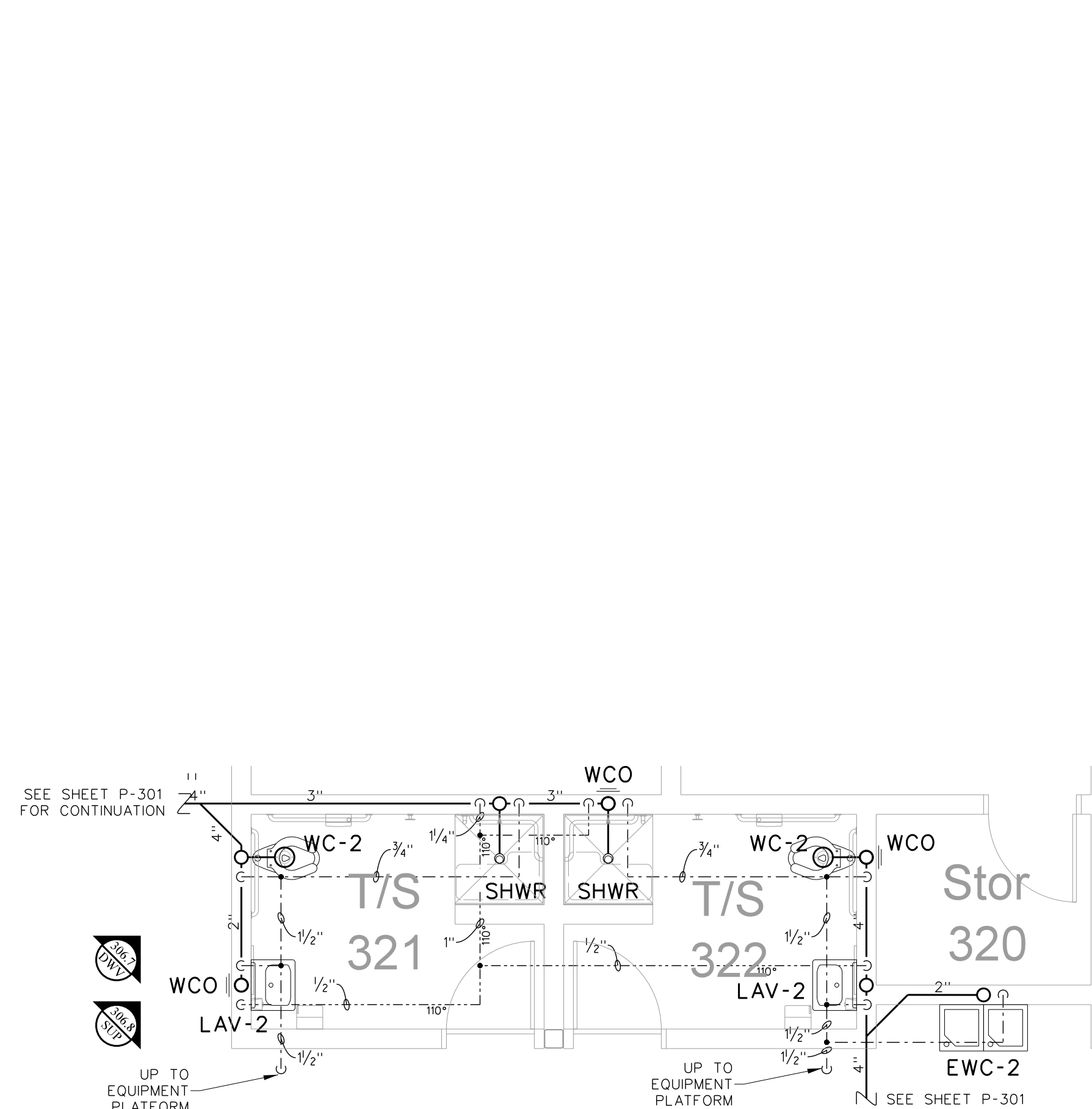
305.7 TOILET/SHOWERS 327 ENLARGED PLUMBING PLANS
SCALE: 1/4" = 1'-0"



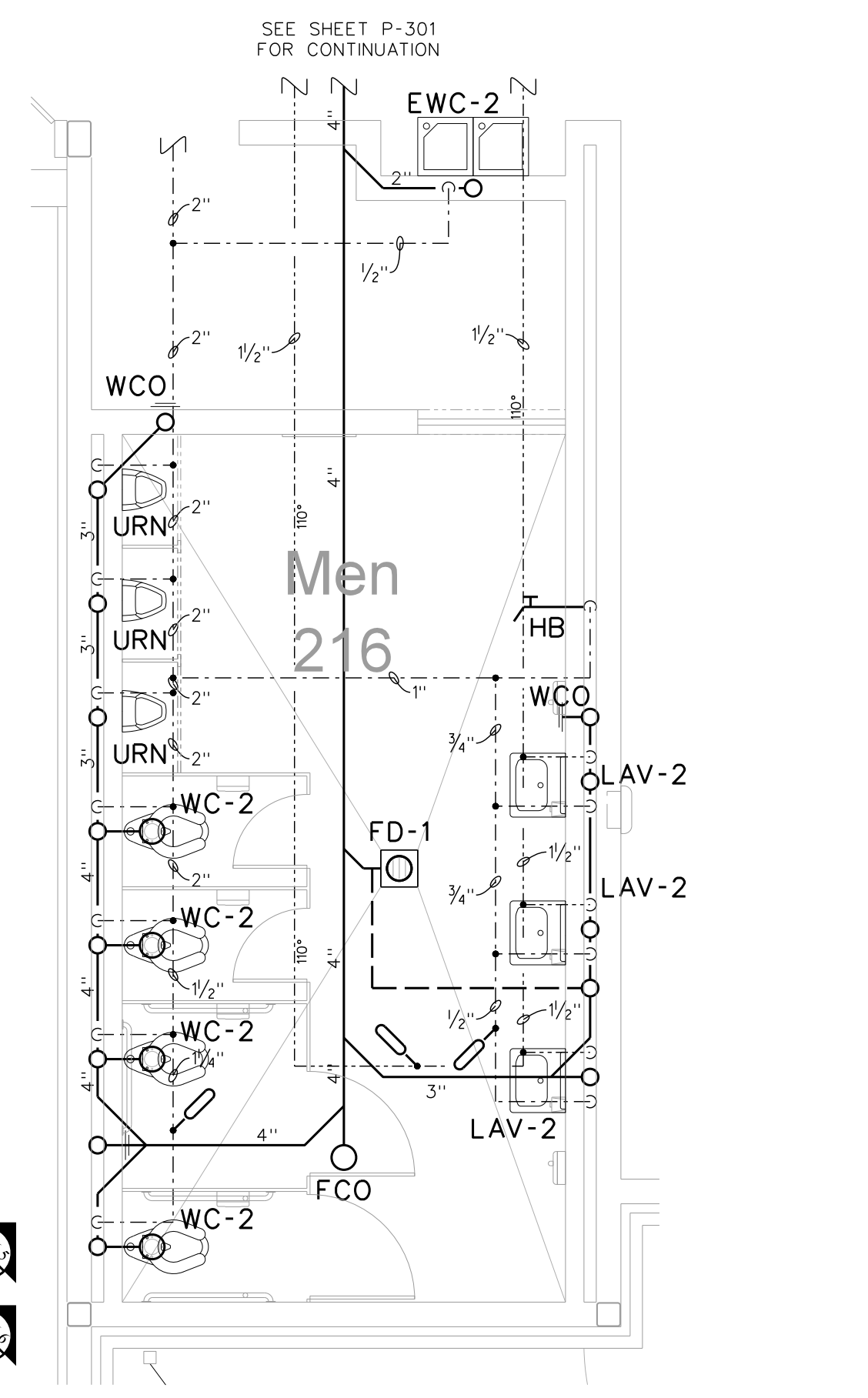
305.6 ENLARGED SHOWER 309 PLUMBING PLAN
SCALE: 1/4" = 1'-0"



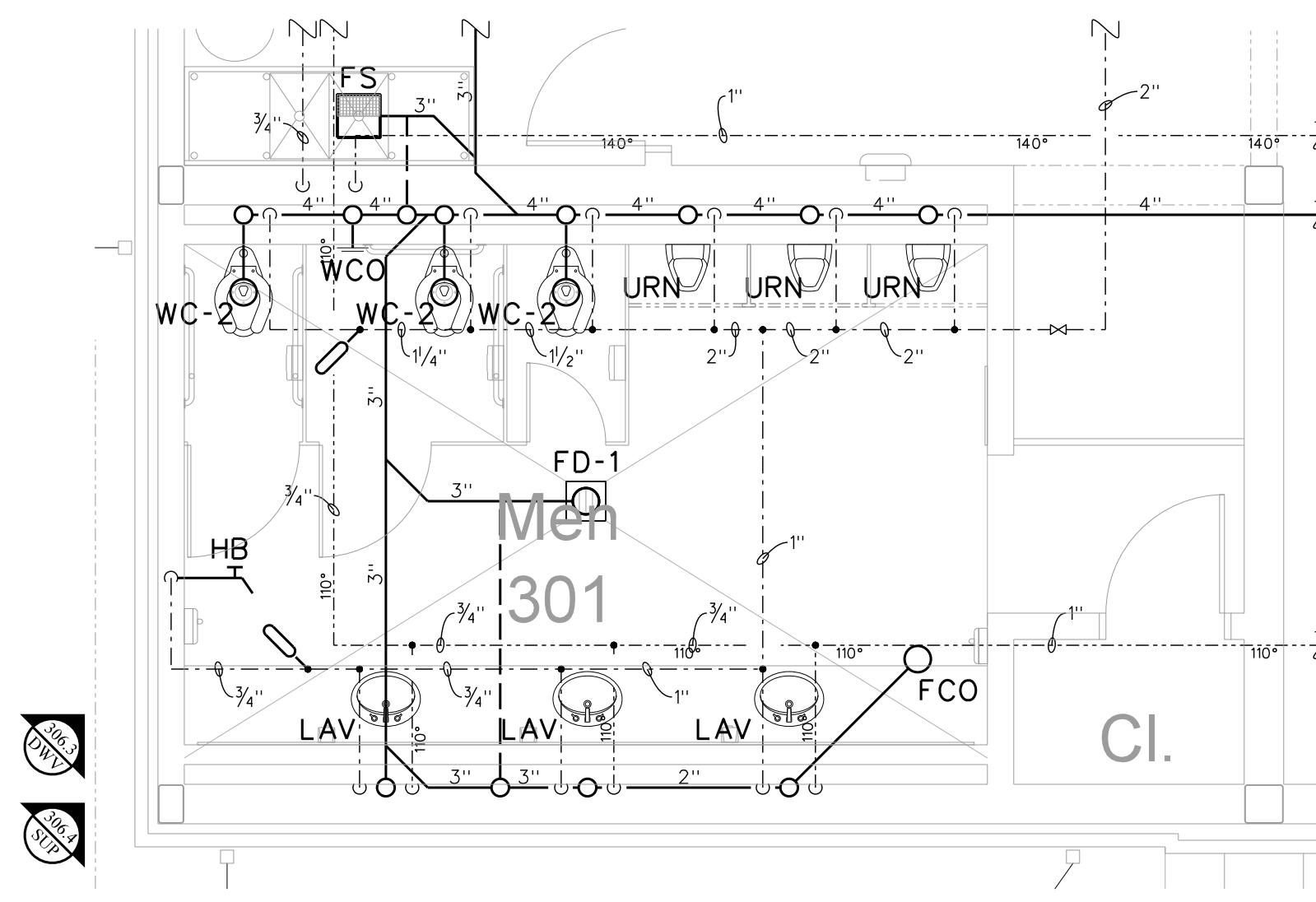
305.5 ENLARGED TOILET/LOCKER ROOM PLUMBING PLAN
SCALE: 1/4" = 1'-0"



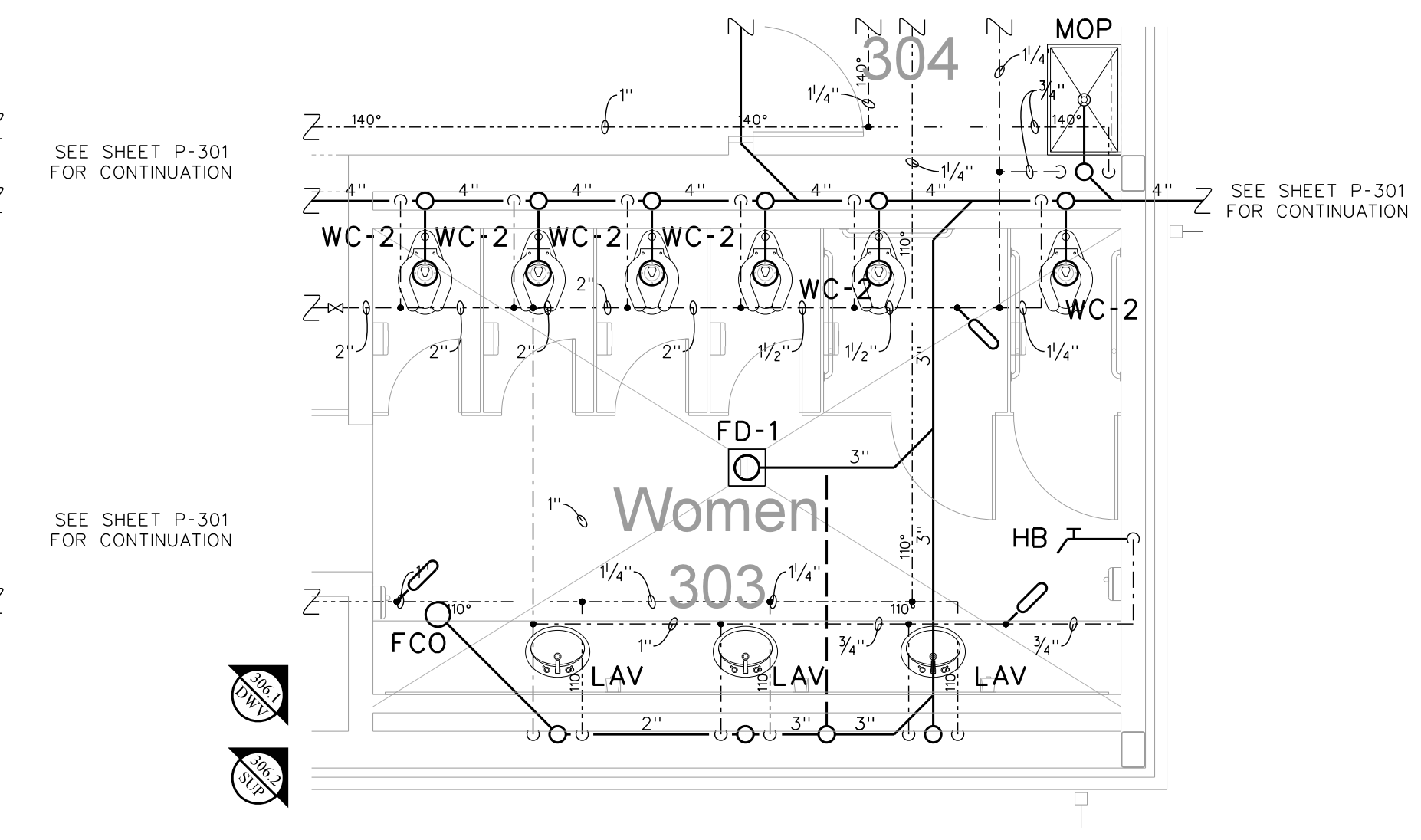
305.4 TOILET 321, 322 ENLARGED PLUMBING PLAN
SCALE: 1/4" = 1'-0"



305.3 MEN'S TOILET 216 ENLARGED PLUMBING PLAN
SCALE: 1/4" = 1'-0"



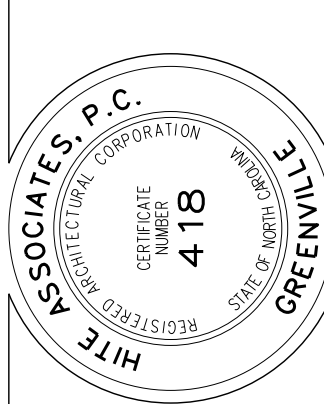
305.2 WOMEN'S TOILET 301 ENLARGED PLUMBING PLAN
SCALE: 1/4" = 1'-0"



305.1 MEN'S TOILET 303 ENLARGED PLUMBING PLAN
SCALE: 1/4" = 1'-0"

No.	Date	Revision

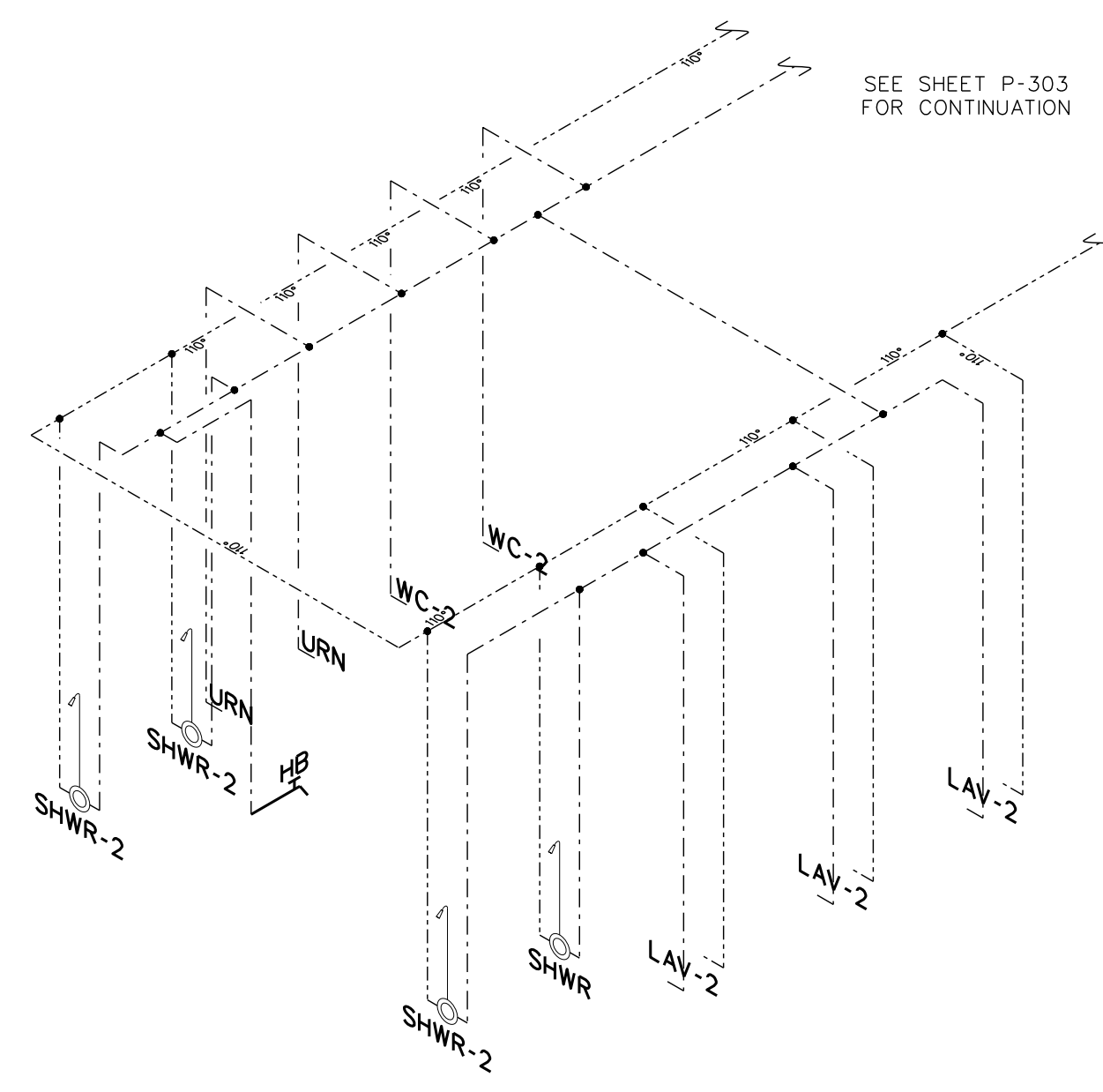
Hite associates
 ARCHITECTURE / ENGINEERING / TECHNOLOGY
 2600 Meridian Drive / Greenville, NC 27834 / tel (252) 757-0333



RECORD
 DRAWING

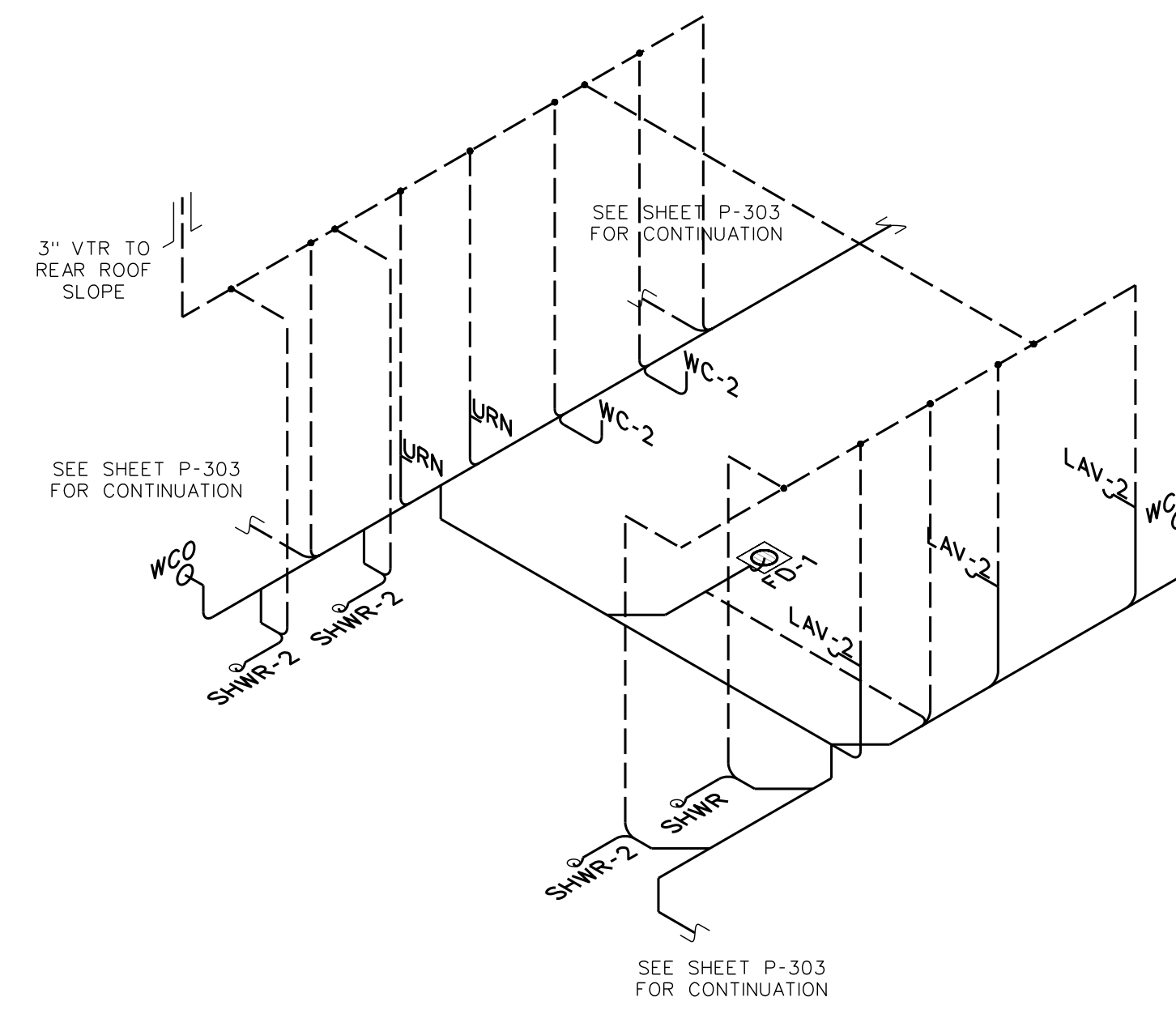
RECORD
 DRAWING
 Bertie High School
 Bertie County Schools
 716 US 13 North / NCDPS Unit 080 - School 312
 Windsor / Bertie County / North Carolina

Project No. 21131
 Date: 28 March 2012
 Drawing No. **P 305**



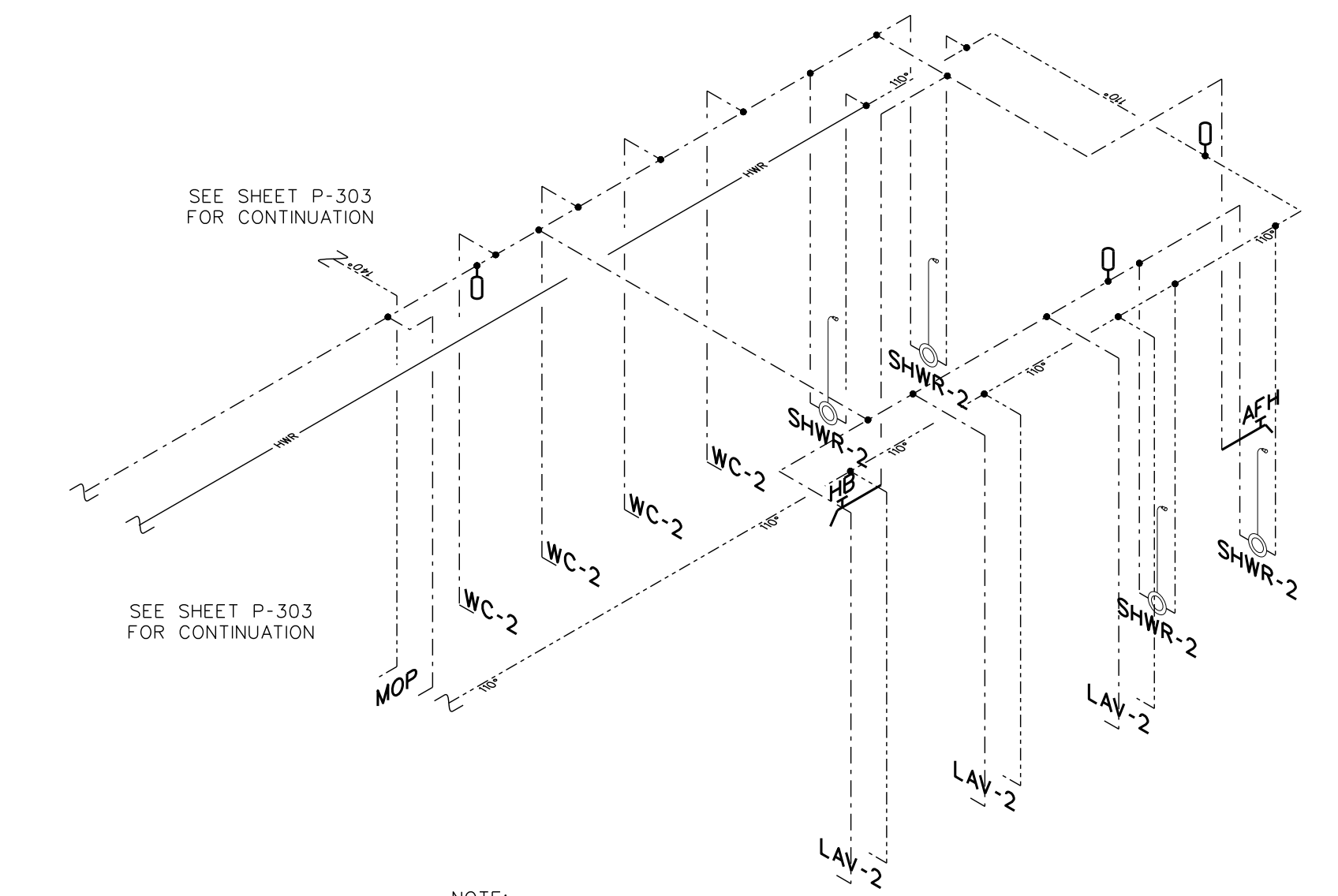
NOTE:
REFER TO FIXTURE CONNECTION SCHEDULE
& PLANS FOR PIPE SIZES NOT SHOWN (TYPICAL)

307.6 TOILET/SHOWERS 312 SUPPLY RISER DIAGRAM
SCALE: none



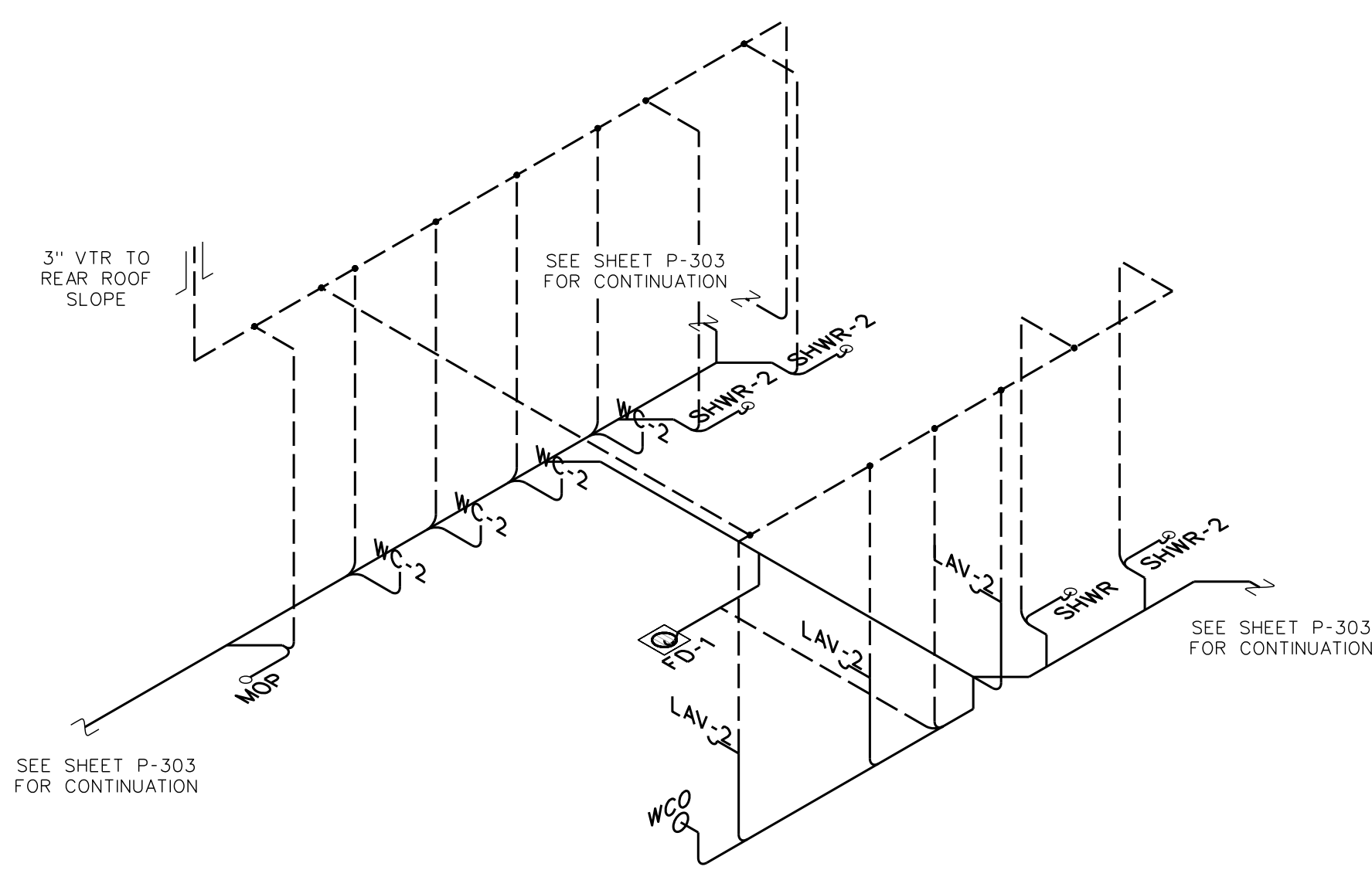
NOTE:
REFER TO FIXTURE CONNECTION SCHEDULE
& PLANS FOR PIPE SIZES NOT SHOWN (TYPICAL)

307.5 TOILET/SHOWERS 312 DWV RISER DIAGRAM
SCALE: none



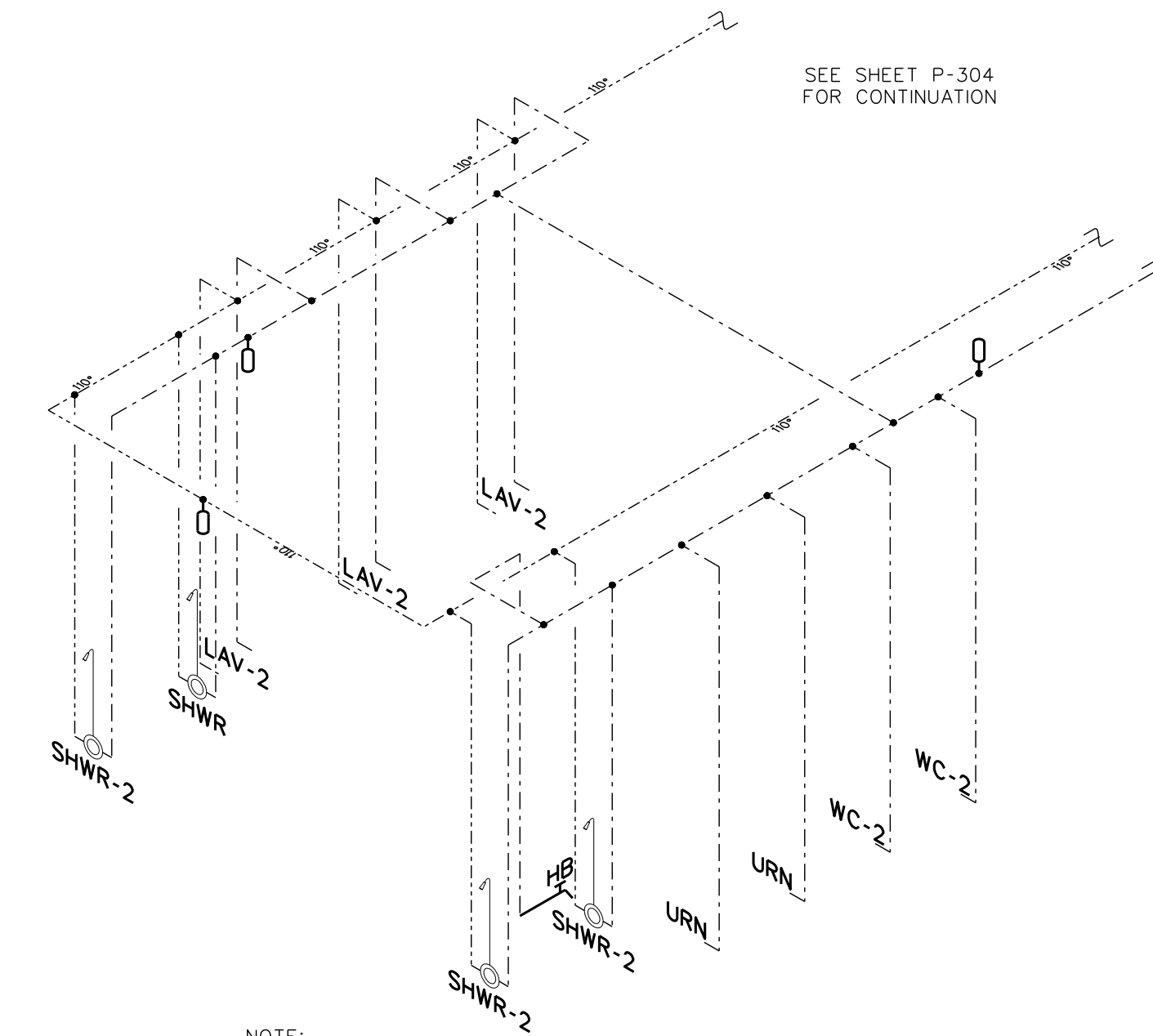
NOTE:
REFER TO FIXTURE CONNECTION SCHEDULE
& PLANS FOR PIPE SIZES NOT SHOWN (TYPICAL)

307.4 TOILET/SHOWERS 327 SUPPLY RISER DIAGRAM
SCALE: none



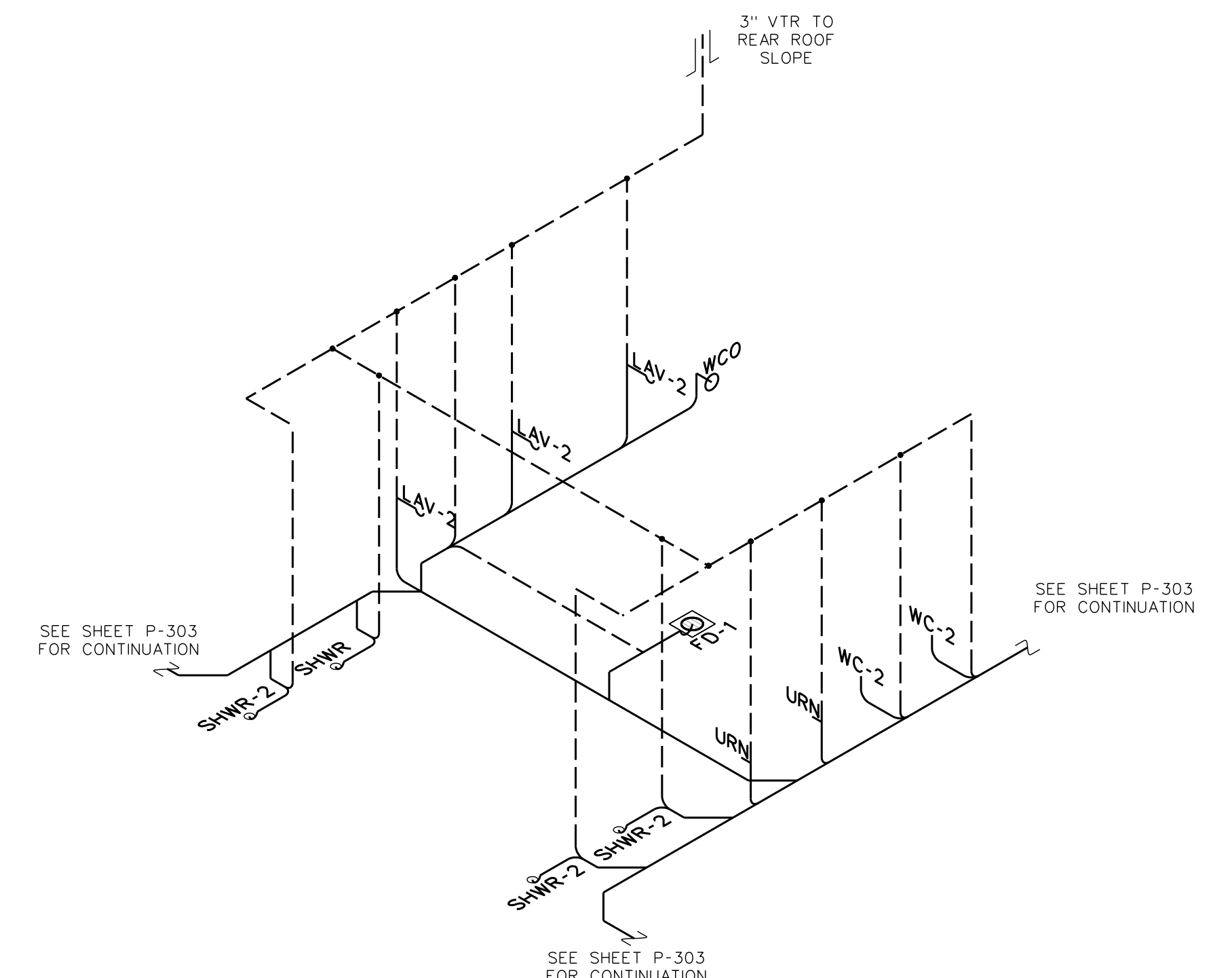
NOTE:
REFER TO FIXTURE CONNECTION SCHEDULE
& PLANS FOR PIPE SIZES NOT SHOWN (TYPICAL)

307.3 TOILET/SHOWERS 327 DWV RISER DIAGRAM
SCALE: none



NOTE:
REFER TO FIXTURE CONNECTION SCHEDULE
& PLANS FOR PIPE SIZES NOT SHOWN (TYPICAL)

307.2 ENLARGED SHOWER 309 DWV RISER DIAGRAM
SCALE: none

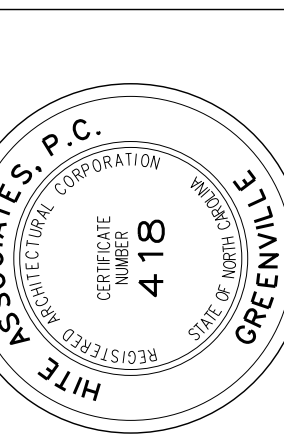


NOTE:
REFER TO FIXTURE CONNECTION SCHEDULE
& PLANS FOR PIPE SIZES NOT SHOWN (TYPICAL)

307.1 ENLARGED SHOWER 309 DWV RISER DIAGRAM
SCALE: none

No.	Date	Revision

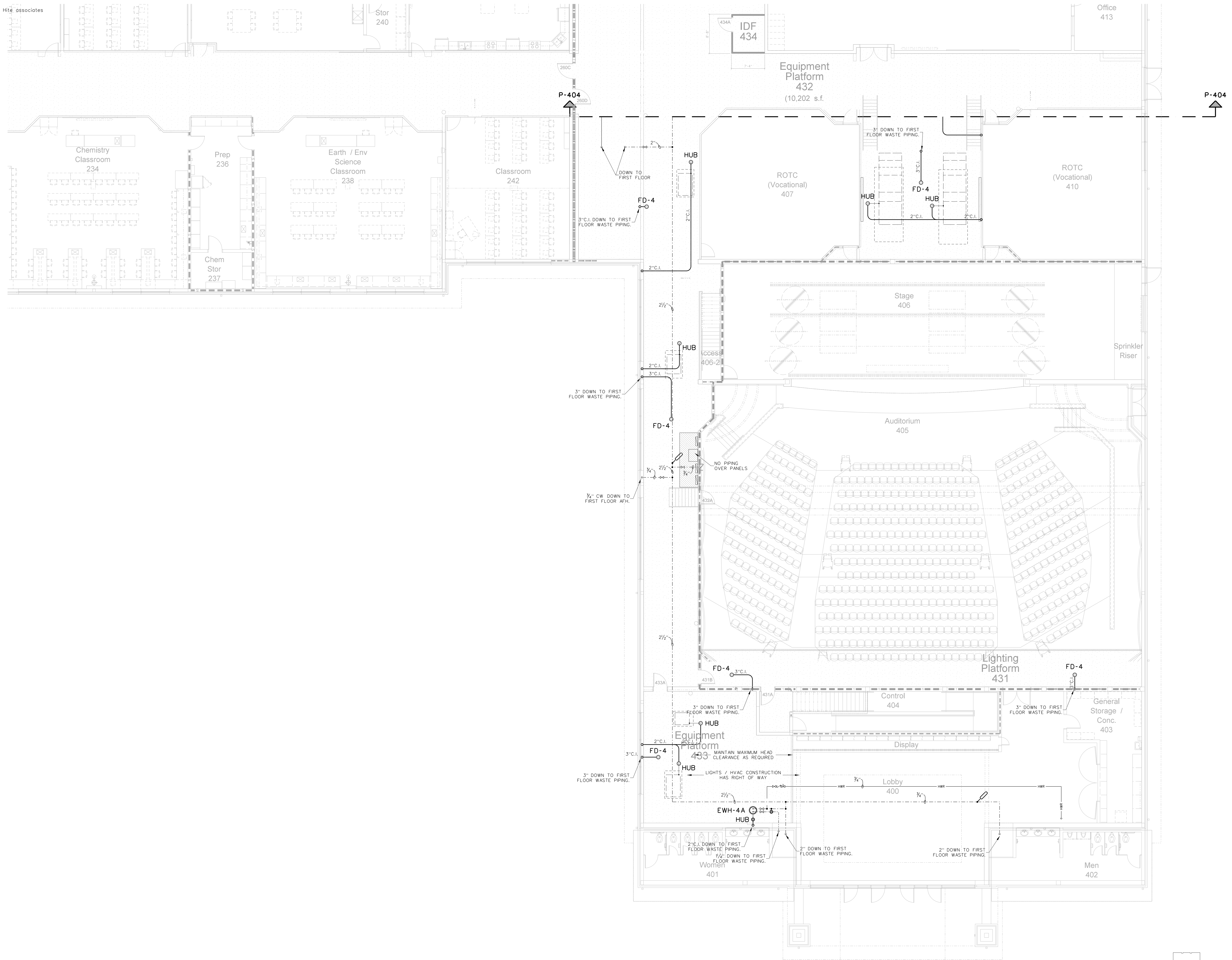
Hite associates
ARCHITECTURE / ENGINEERING / TECHNOLOGY
2600 Meridian Drive / Greenville, NC 27834 / tel (252) 757-0333



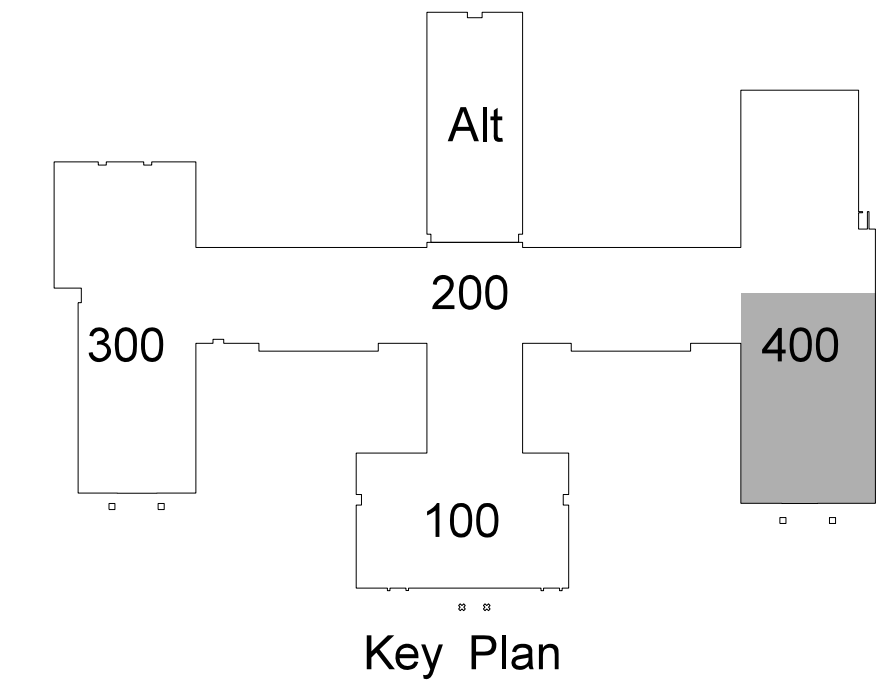
RECORD
DRAWING

Bertie High School
Bertie County Schools
716 US 13 North / NCDPS Unit 080 - School 312
Windsor / Bertie County / North Carolina

Project No. 21131
Date: 28 March 2012
Drawing no. **P 307**



402.1 THEATER EQUIPMENT PLATFORM PLUMBING PLAN
SCALE: 1/8" = 1'-0"



No.	Date

Hite associates

ARCHITECTURE / ENGINEERING / TECHNOLOGY

2600 Meridian Drive / Greenville, NC 27834 / tel: (252) 757-0333

REGISTERED PROFESSIONAL ENGINEER
418
STATE OF NORTH CAROLINA

HITE ASSOCIATES, P.C.
MEMBER OF THE HITE GROUP

RECORD DRAWING

RECORD DRAWING

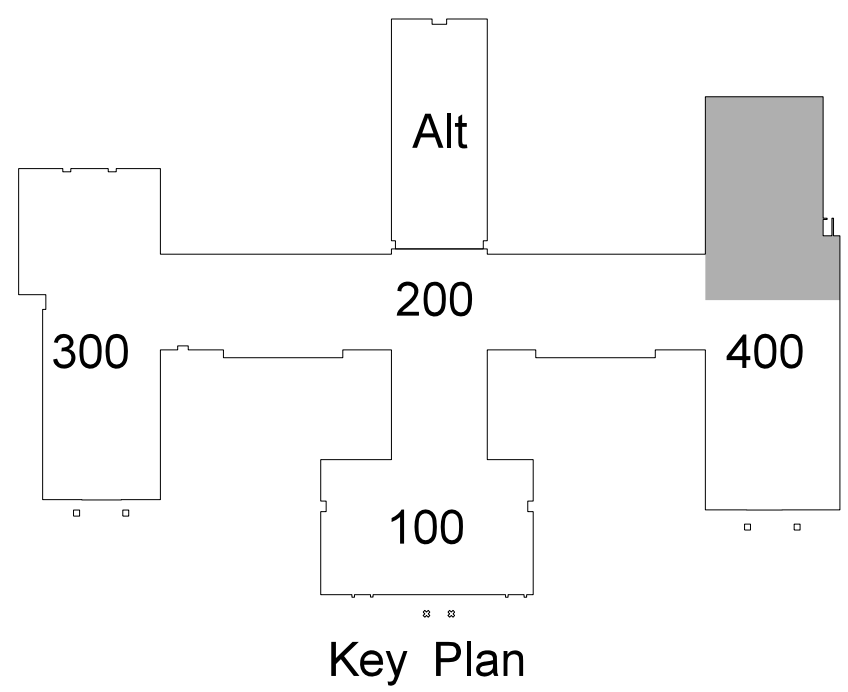
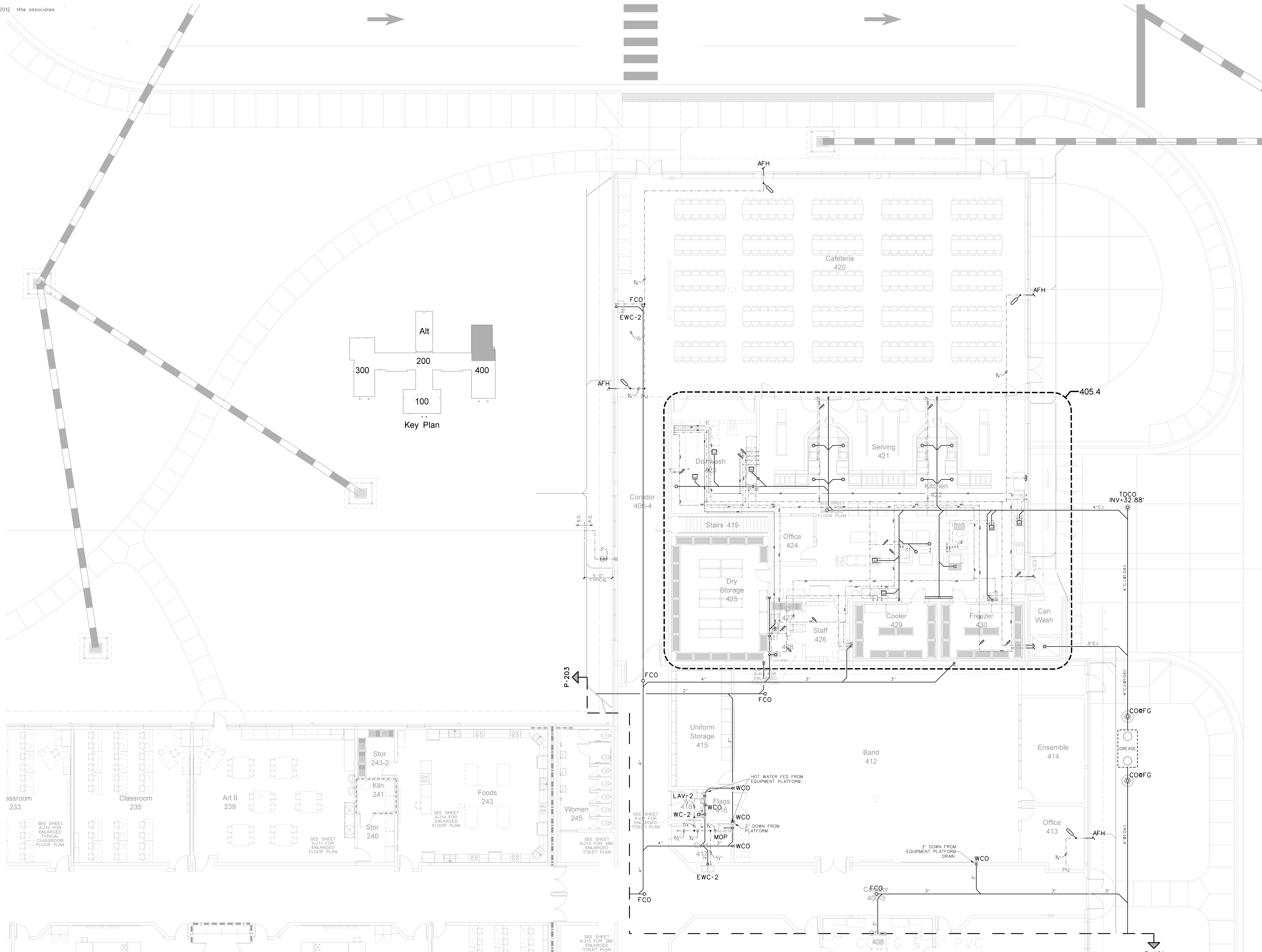
New Bertie High School

Bertie County Schools
716 US 13 North / NCDPS Unit 080 - School 312
Windsor / Bertie County / North Carolina

Project No. 21131

Date: 28 March 2012

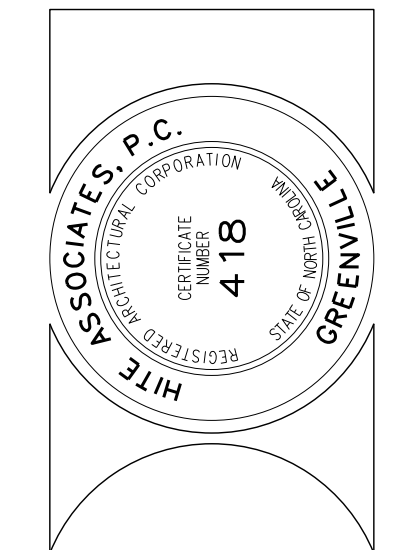
Drawing no. P 402



403.1 KITCHEN AND CAFETERIA PLUMBING FLOOR PLAN
SCALE: 1/8" = 1'-0"

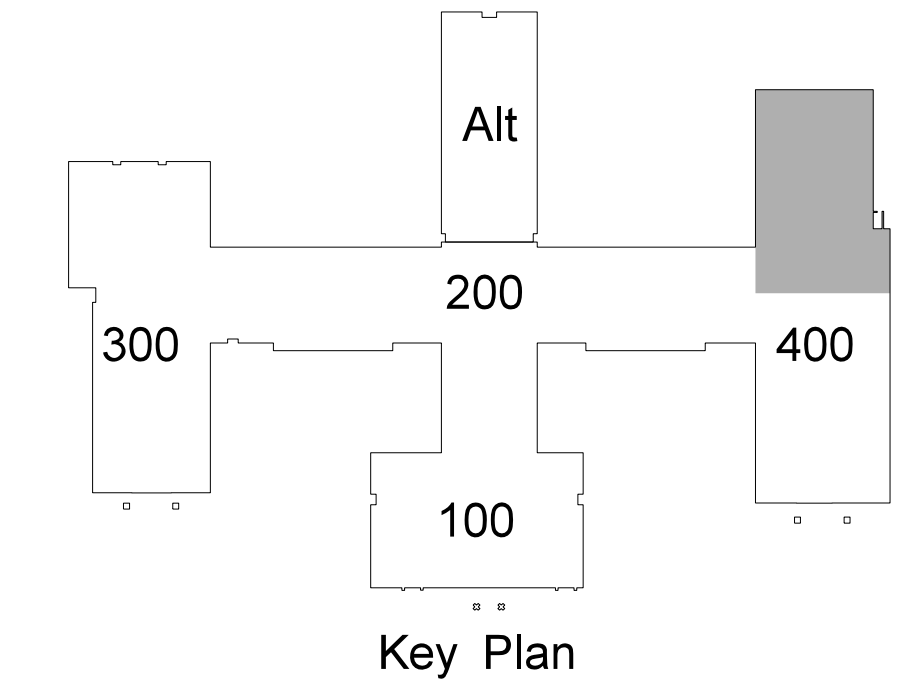
No.	Date	Revision

Hite associates
ARCHITECTURE / ENGINEERING / TECHNOLOGY
2600 Meridian Drive / Greenville, NC 27834 / tel (252) 757-0333



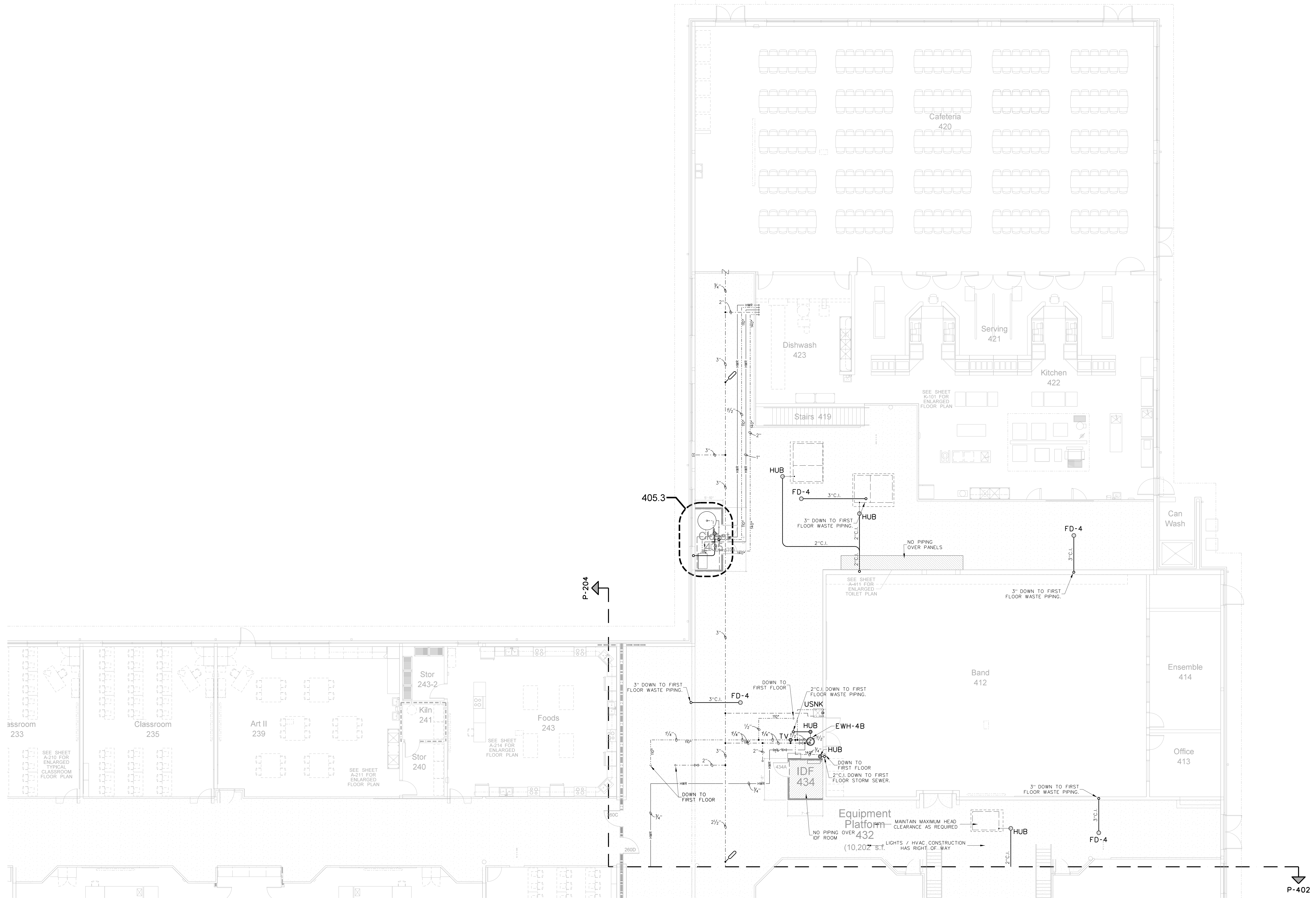
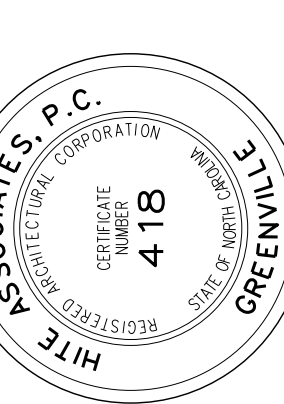
RECORD DRAWING
Bertie High School
 Bertie County Schools
 716 US 13 North / NCDPS Unit 080 - School 312
 Windsor / Bertie County / North Carolina

Project No. 21131
 Date: 28 March 2012
 Drawing No. **P 403**



No.	Date	Revision

Hite associates
 ARCHITECTURE / ENGINEERING / TECHNOLOGY
 2600 Meridian Drive / Greenville, NC 27834 / tel (252) 757-0333



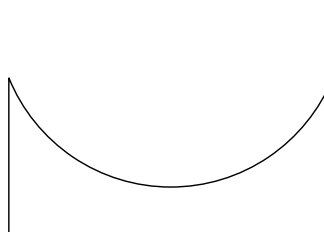
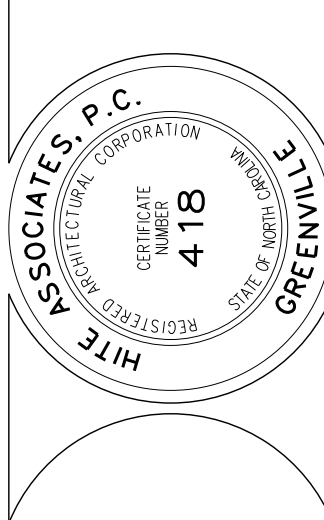
404.1 KITCHEN AND CAFETERIA EQUIPMENT PLATFORM PLUMBING PLAN
 SCALE: 1/8" = 1'-0"

RECORD DRAWING
New Bertie High School
 Bertie County Schools
 716 US 13 North / NCDPS Unit 080 - School 312
 Windsor / Bertie County / North Carolina

Project No. 21131
 Date: 28 March 2012
 Drawing no. **P 404**

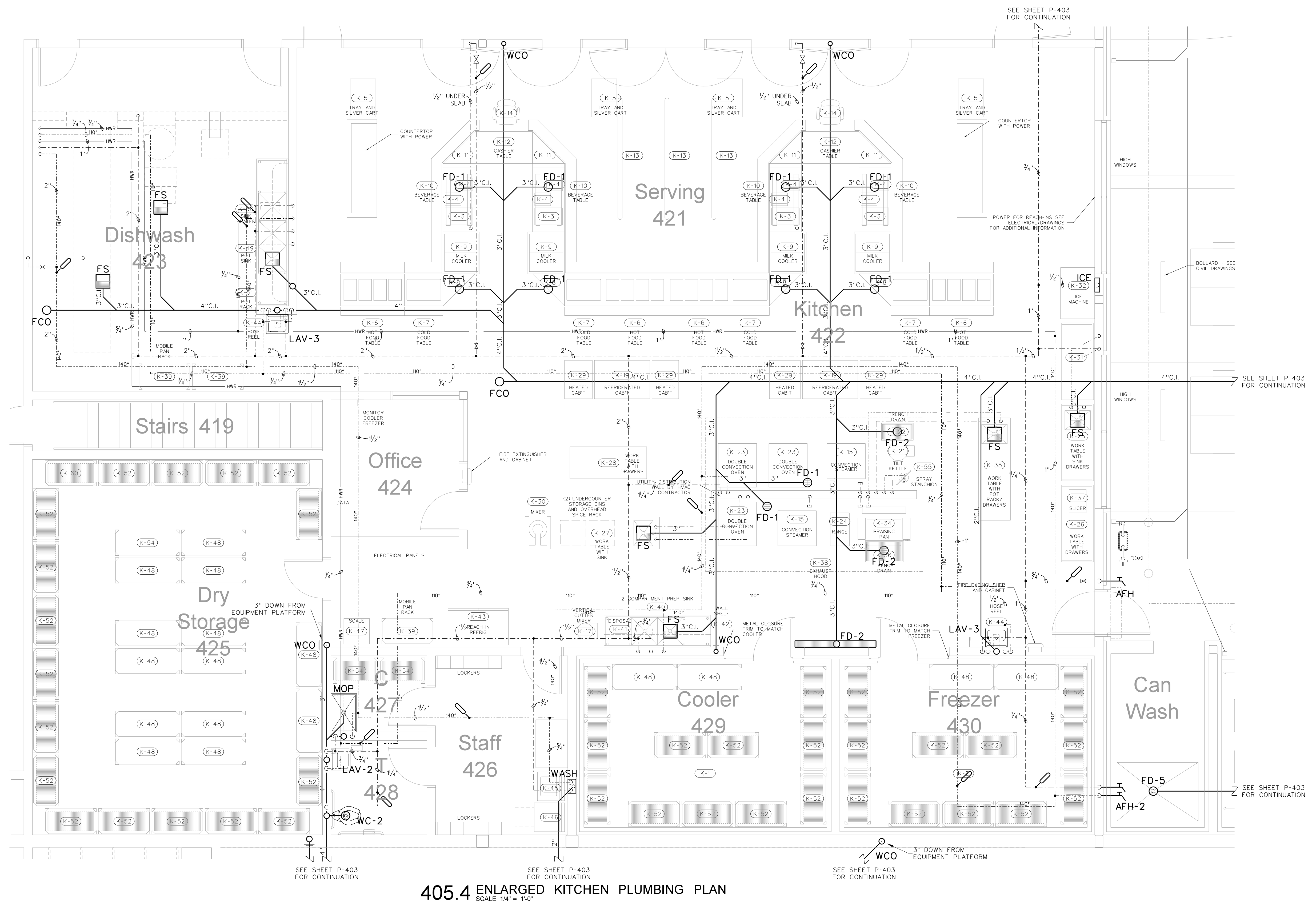
No.	Date	Revision

Hite associates
 ARCHITECTURE / ENGINEERING / TECHNOLOGY
 2600 Meridian Drive / Greenville, NC 27834 / tel (252) 757-0333

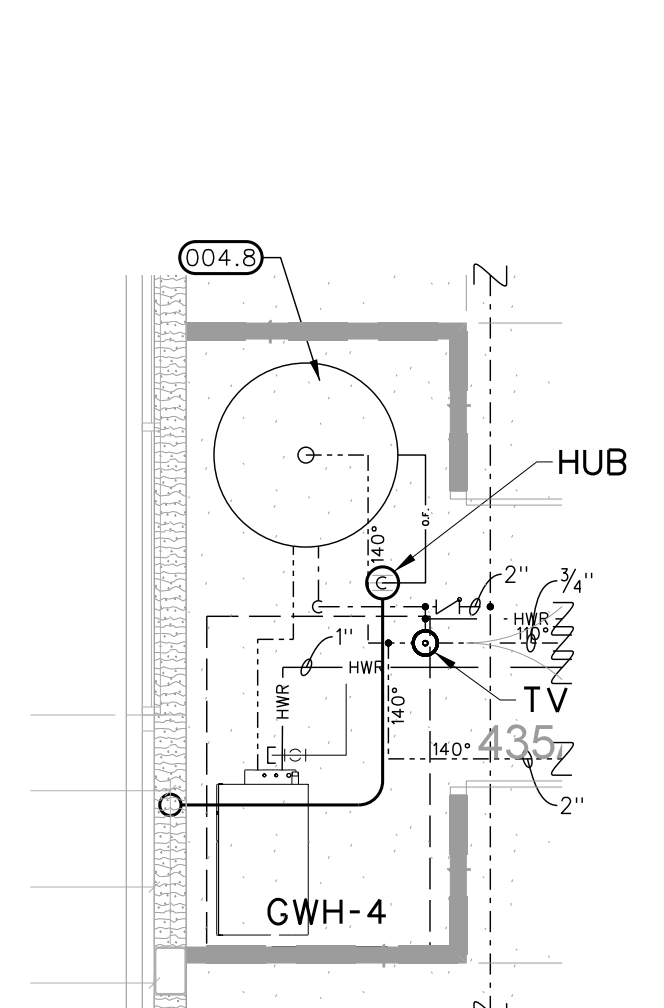


RECORD DRAWING
 Bertie High School
 Bertie County Schools
 716 US 13 North / NCDPS Unit 080 - School 3112
 Windsor / Bertie County / North Carolina

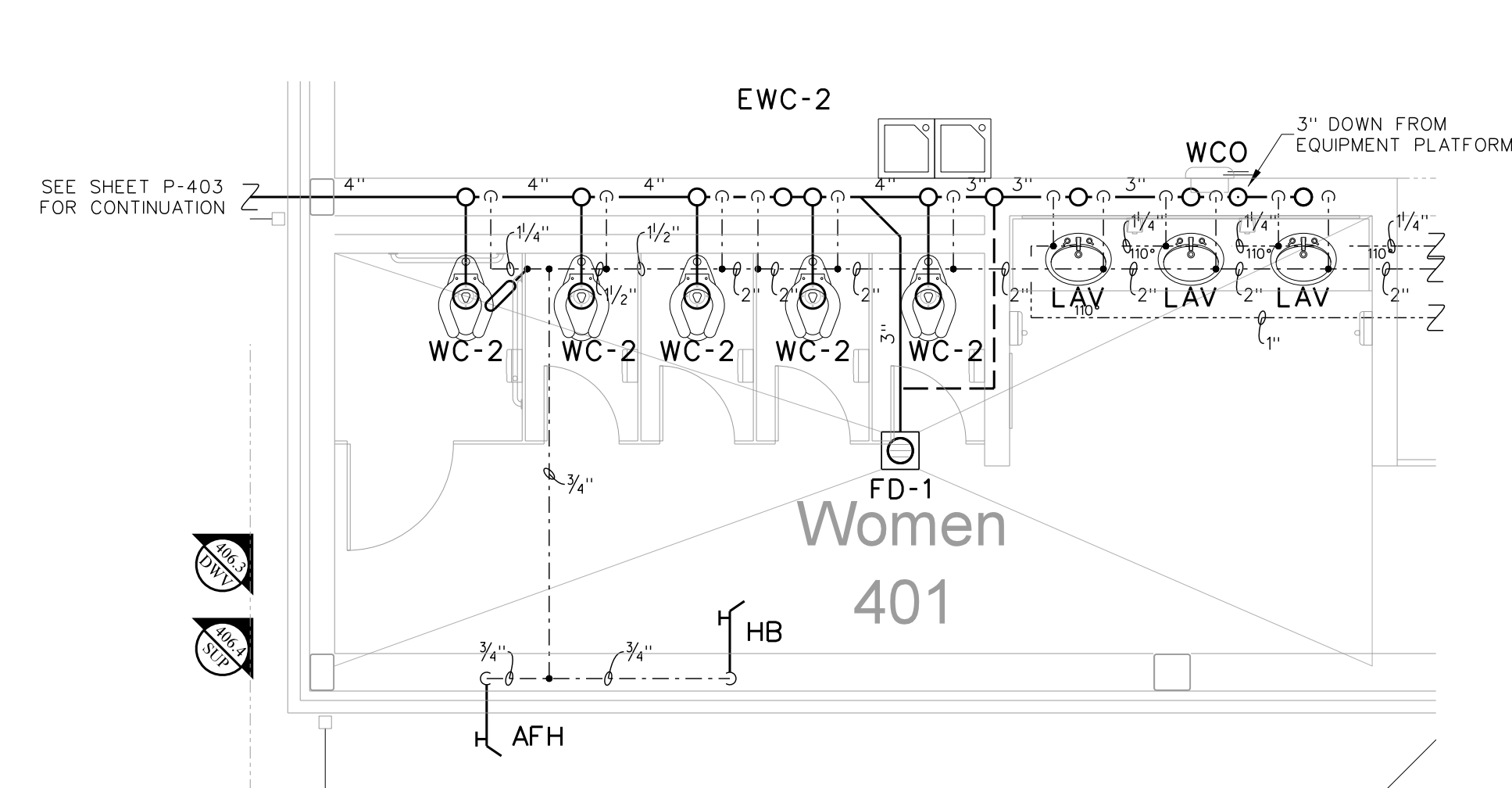
Project No. 21131
 Date: 28 March 2012
 Drawing no. **P 405**



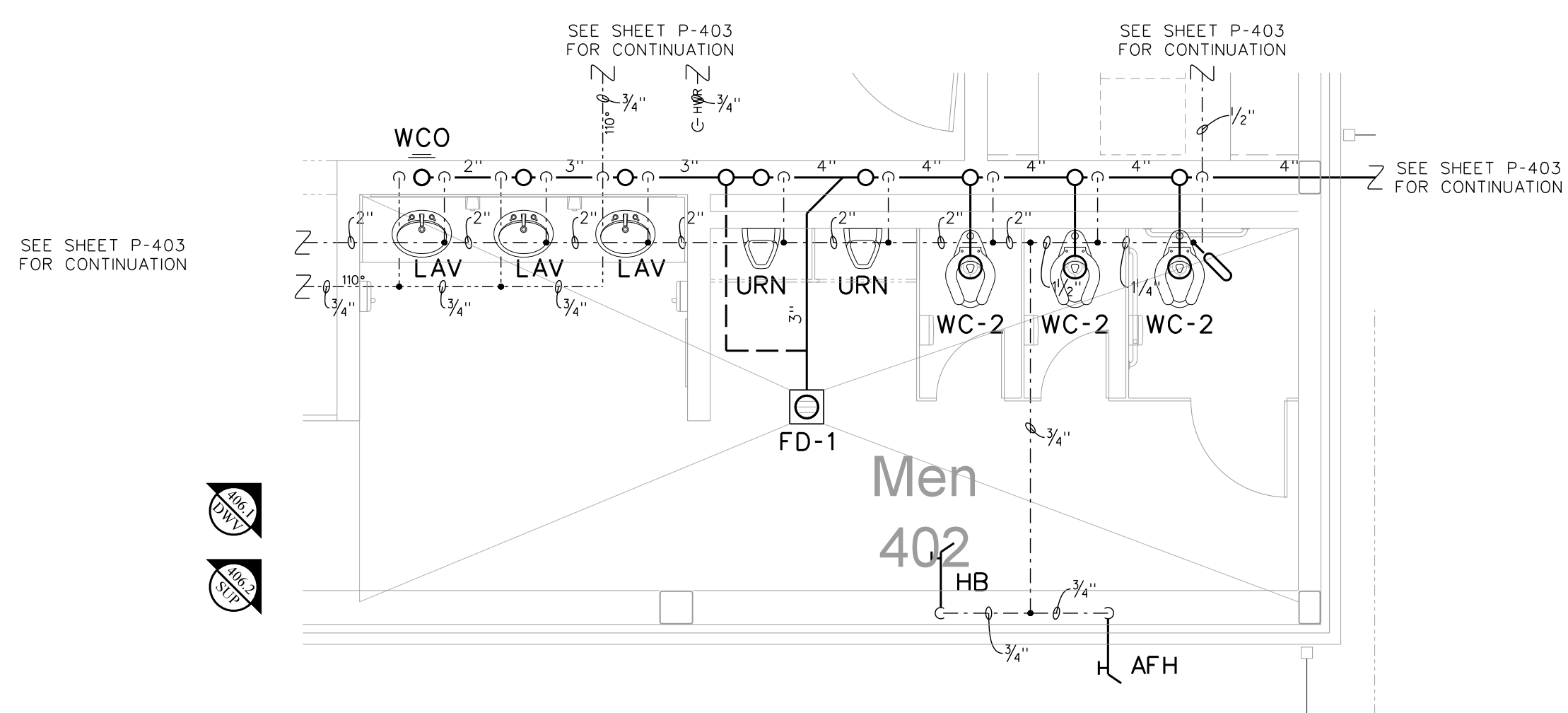
405.4 ENLARGED KITCHEN PLUMBING PLAN
 SCALE: 1/4" = 1'-0"



405.3 MEN'S 402 ENLARGED PLUMBING PLAN
 SCALE: 1/4" = 1'-0"



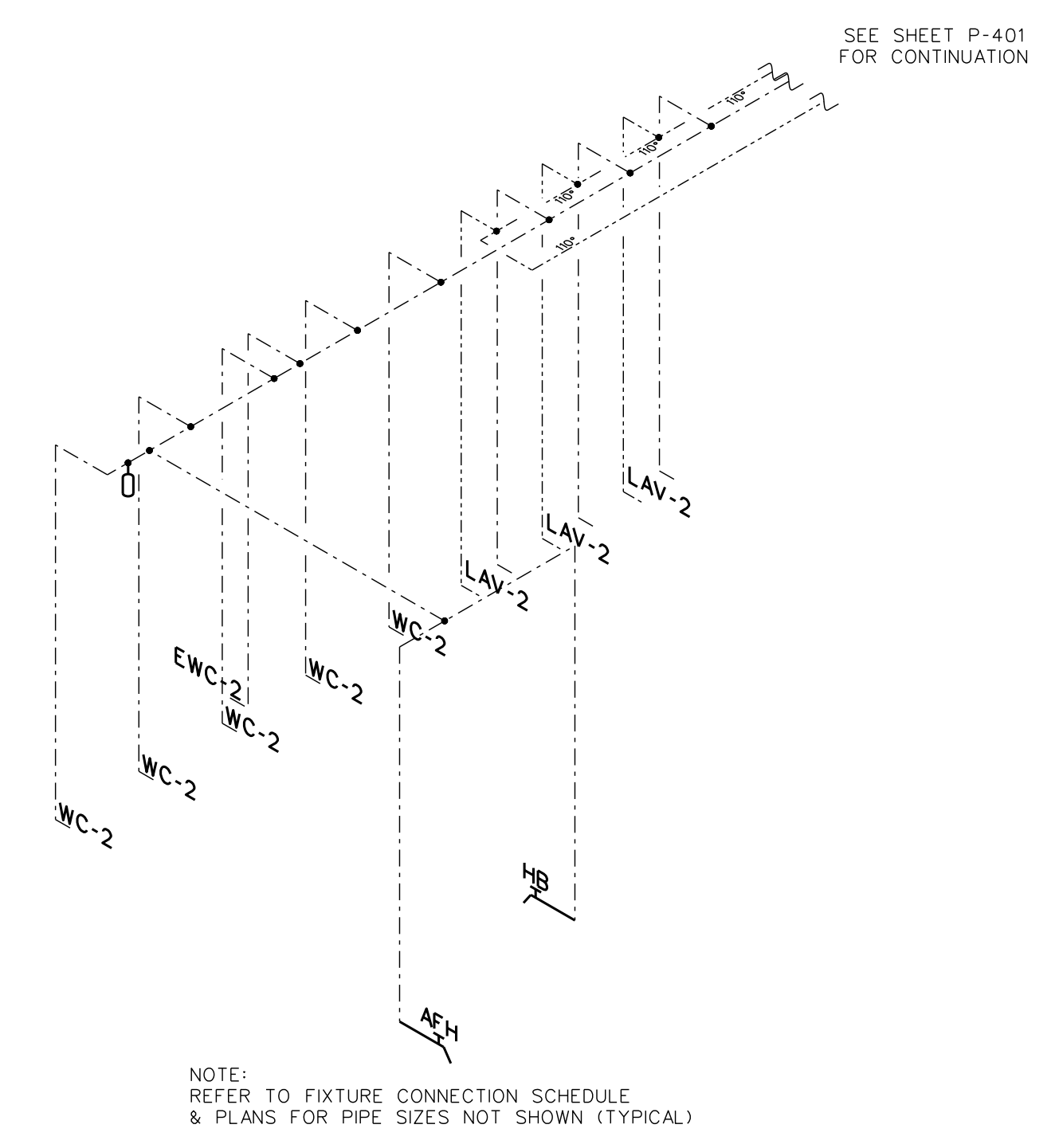
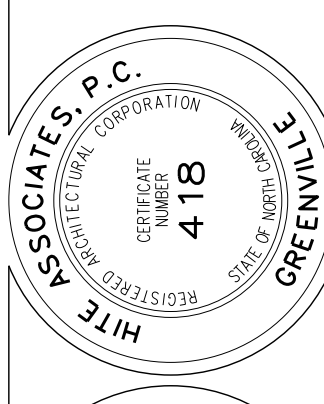
405.2 MEN'S 402 ENLARGED PLUMBING PLAN
 SCALE: 1/4" = 1'-0"



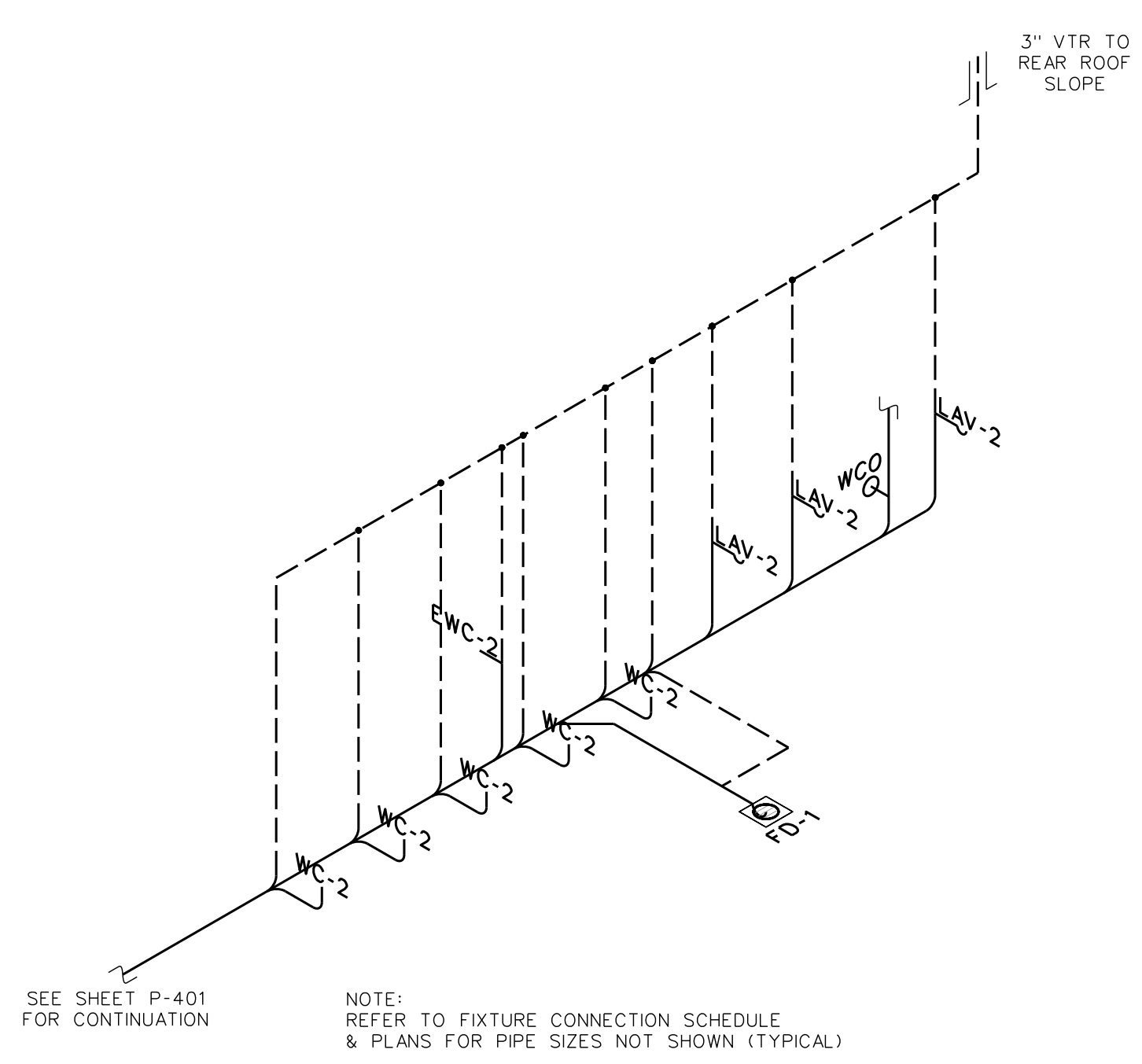
405.1 MEN'S 402 ENLARGED PLUMBING PLAN
 SCALE: 1/4" = 1'-0"

No.	Date	Revision

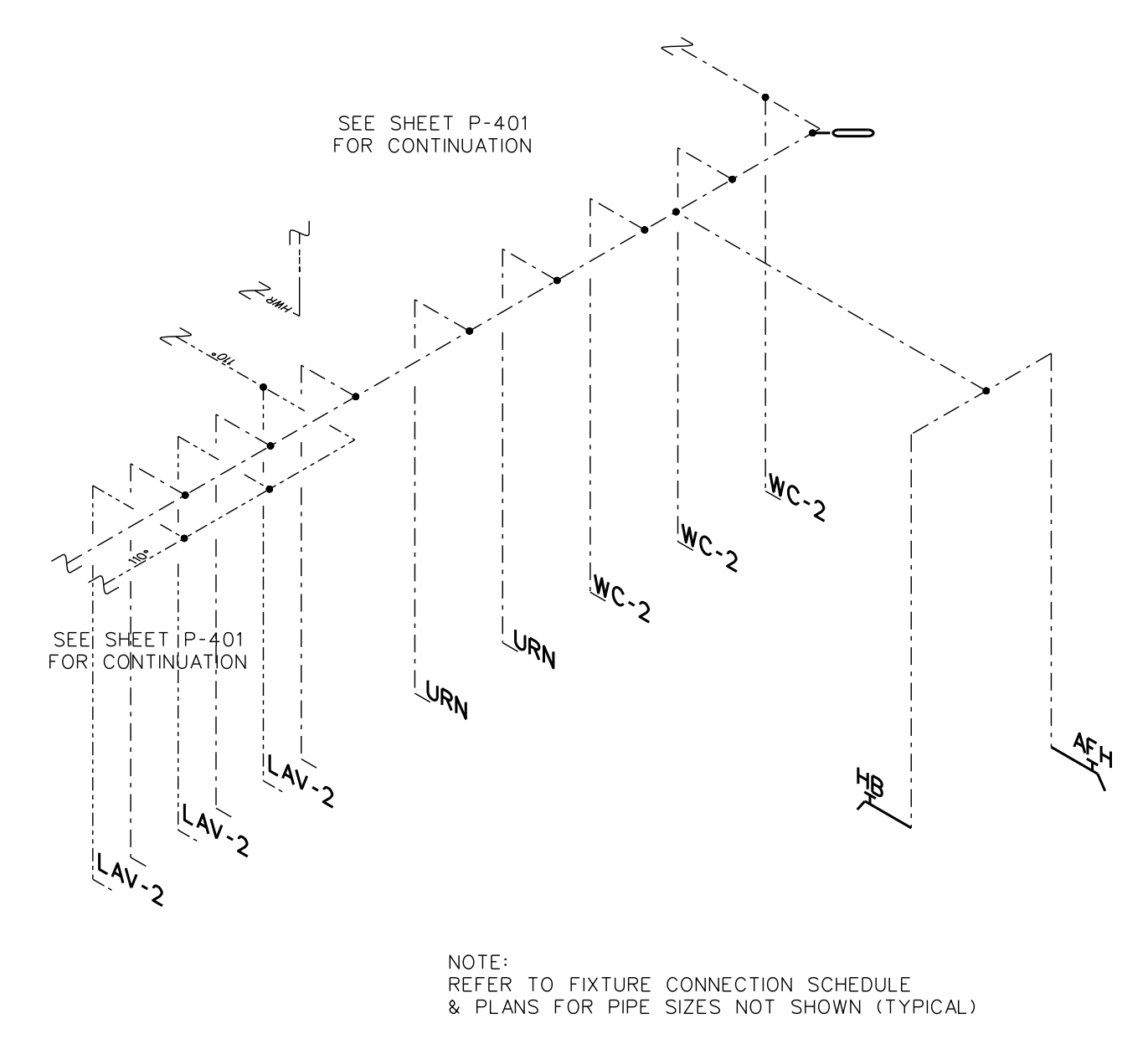
Hite associates
 ARCHITECTURE / ENGINEERING / TECHNOLOGY
 2600 Meridian Drive / Greenville, NC 27834 / tel (252) 757-0333



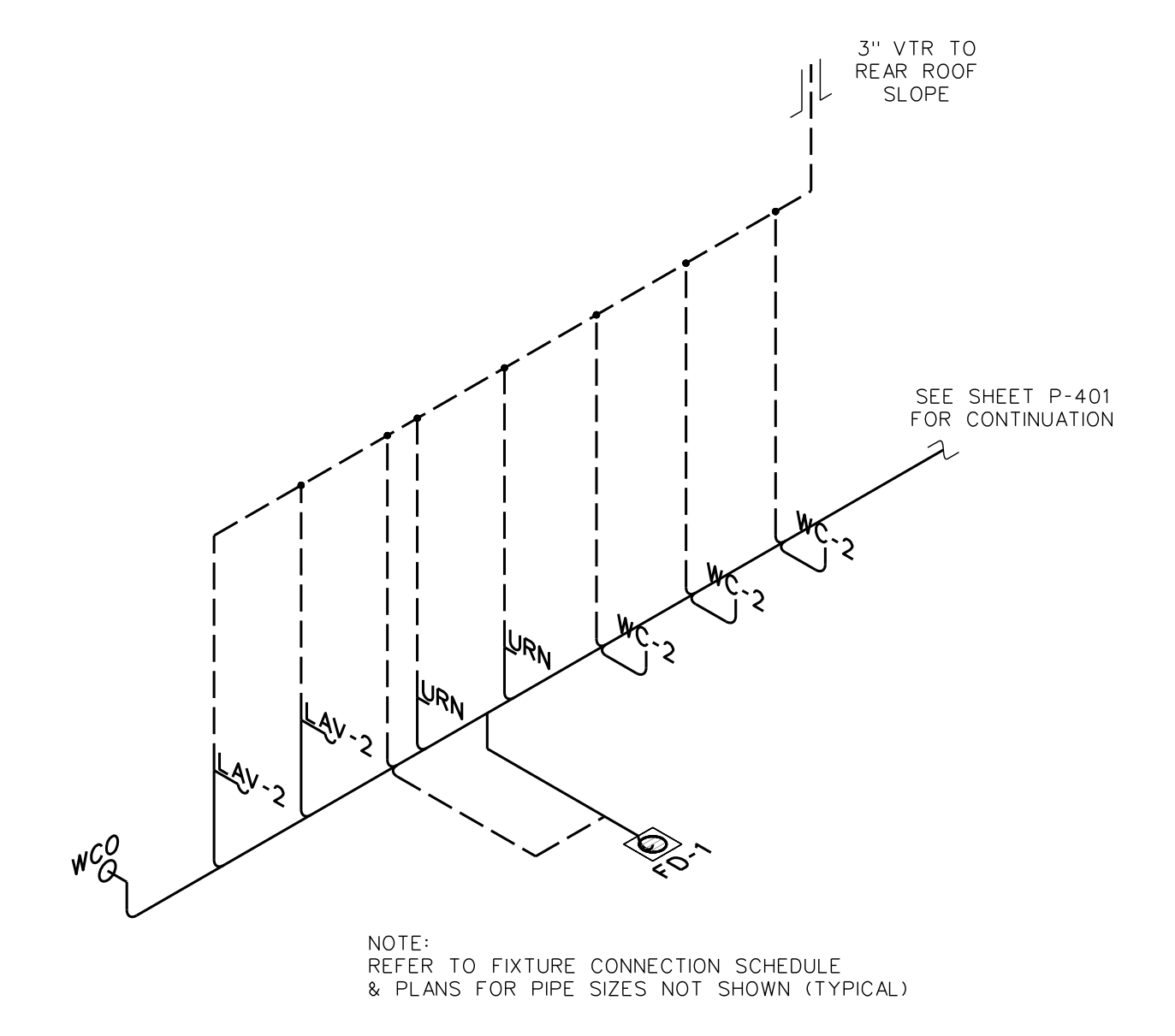
406.3 WOMEN'S TOILET 401 SUPPLY RISER DIAGRAM
 SCALE: none



406.3 WOMEN'S TOILET 401 DWV RISER DIAGRAM
 SCALE: none



406.2 MEN'S TOILET 402 SUPPLY RISER DIAGRAM
 SCALE: none



406.1 MEN'S TOILET 402 DWV RISER DIAGRAM
 SCALE: none

RECORD DRAWING
New Bertie High School
 Bertie County Schools
 716 US 13 North / NCDPS Unit 080 - School 3112
 Windsor / Bertie County / North Carolina

Project No.	21131
Date:	28 March 2012
Drawing no.	P 406

GENERAL HVAC NOTES

- (1) REFERENCE ARCHITECTURAL, STRUCTURAL, PLUMBING, & ELECTRICAL DRAWINGS, AND SPECIFICATIONS PRIOR TO CONSTRUCTION. CONTRACTOR SHALL VISIT SITE PRIOR TO SUBMITTING BID.
- (2) ALL WORK SHALL BE IN STRICT ACCORDANCE WITH THE STATE BUILDING CODE & CONTRACTOR SHALL NOTIFY ENGINEER REGARDING ANY CODE DISCREPANCIES SHOWN ON PLAN. ANY PERMIT OR INSPECTION FEES ARE THE RESPONSIBILITY OF THE HVAC CONTRACTOR.
- (3) DO NOT SCALE THESE DRAWINGS; REFER TO LARGEST SCALE ARCHITECTURAL DRAWINGS. THESE DRAWINGS ARE DIAGRAMMATIC ONLY & ARE NOT INTENDED TO SHOW MINOR DETAILS & EXACT LOCATIONS. DESIGN ADJUSTMENTS SHALL BE ANTICIPATED BY THE CONTRACTOR TO PROVIDE A COMPLETE AND OPERATIONAL SYSTEM.
- (4) THE HVAC CONTRACTOR SHALL COORDINATE THE INSTALLATION OF HVAC FIXTURES & EQUIPMENT WITH GENERAL CONTRACTOR PRIOR TO INSTALLATION TO AVOID CONFLICT. CONTACT ARCHITECT IF ALTERNATE INSTALLATION METHOD IS REQUIRED.
- (5) ALL DUCTWORK AND PIPING SHALL BE CONCEALED ABOVE CEILINGS, TRUSSES, AND SOFFITS EXCEPT IN MECHANICAL ROOM, UTILITY PLATFORM, & WHERE OTHERWISE NOTED.
- (6) DUCTWORK LAYOUTS SHOWN ON PLANS ARE DIAGRAMMATIC. CONTRACTOR SHALL EXAMINE SITE CONDITIONS PRIOR TO DUCT CONSTRUCTION & COORDINATE INSTALLATION WITH OTHER TRADES.
- (7) THE MECHANICAL CONTRACTOR IS RESPONSIBLE FOR FINAL POWER CONNECTION, CONTROL WIRING & CONDUIT AS SPECIFIED.
- (8) THE HVAC CONTRACTOR SHALL PROTECT EQUIPMENT DURING CONSTRUCTION & BRAZING AS REQ'D. CLEAN ALL EQUIPMENT SURFACES OF GREASE, DIRT, DUST, & OTHER FOREIGN MATERIALS PRIOR TO PROJECT CLOSEOUT.
- (9) SEE SHEET FP-001 FOR RATED FIRESTOP PENETRATION DETAILS.
- (10) INSTALL DUCT-TYPE SMOKE DETECTOR FURNISHED BY ELECTRICAL CONTRACTOR'S FIRE ALARM SUBCONTRACTOR.
- (11) SUSPEND ALL CEILING MOUNT AIR DISTRIBUTION DEVICES FROM STRUCTURE WITH 12 GA. WIRE. INSULATE BACK OF ALL LAY-IN CEILING SUPPLY REGISTERS AND DIFFUSERS. ALL HANGERS AND SUPPORTS TO BE INSTALLED PRIOR TO FIREPROOFING OF ROOF STRUCTURE.
- (12) SIDEWALL SUPPLY REGISTERS AND RETURN GRILLES ARE TO BE INSTALLED PLUMB AND LEVEL ALONG A COMMON ELEVATION.
- (13) COORDINATE LOCATION OF ALL REGISTERS, GRILLES, & DIFFUSERS WITH SMOKE DETECTORS PER NFPA 72.
- (14) DUCTWORK HAS RIGHT-OF-WAY OVER CABLE-TRAY; SEE ELECTRICAL DRAWINGS FOR LOCATION.
- (15) "PROVIDE" IS DEFINED AS FURNISH & INSTALL AS PER MANUFACTURERS RECOMMENDATIONS.
- (16) GAS PIPING BY HVAC CONTRACTOR; GAS PIPE & CONNECTIONS TO PLUMBING EQUIPMENT BY P.C. AS INDICATED ON DRAWINGS. REFER TO SPECIFICATION SECTIONS FOR SCOPE OF WORK.

CFM	SIZE (DIA.)
0 - 500	6"
101 - 200	8"
201 - 400	10"
401 - 700	12"
701 - 1000	14"
1001 - 9000	16"
OVER 9000	NOT USED

CFM	SIZE (DIA.)
0 - 60	5"
61 - 130	6"
131 - 250	8"
251 - 450	10"
451 - 750	12"

DUCT SIZE	ACCESS DOOR
UP TO 16" WIDE	12" x 12"
17" TO 22"	16" x 16"
24" & UP	18" x 18"
LOUVER ACCESS	36" x 24"

REFER TO SPECIFICATIONS SECTION 15800

HVAC SYMBOL LEGEND

DUCTS:
 - DUCT, HORIZ x VERT INSIDE CLEAR
 - DUCT, INSULATED ROUND
 - DUCT BELOW UTILITY PLATFORM
 - SUPPLY DUCT SECTION, POSITIVE PRESSURE
 - RETURN DUCT SECTION, NEGATIVE PRESSURE
 - FLEXIBLE DUCT
 - TURNING VANES (DOUBLE THICKNESS)
 - EXHAUST FAN
 - ROOF VENTILATOR, EXHAUST
 - ZONE CONTROL DAMPER AS SPECIFIED
 - MANUAL VOLUME DAMPER
 - SPLITTER DAMPER
 - FIRE DAMPER
 - SMOKE DAMPER
 - CONDENSATE PIPING
 - GAS PIPING AS SPECIFIED
 - LP GAS PIPING AS SPECIFIED
 - REFRIGERATION PIPING AS SPECIFIED
 - PRESSURE REDUCING VALVE, 1st STAGE
 - PRESSURE REDUCING VALVE, 2nd STAGE
 - 3 PHASE POWER SUPPLY
 - CHILLED WATER SUPPLY PIPING
 - CHILLED WATER RETURN PIPING
 - HOT WATER RETURN PIPING
 - HOT WATER SUPPLY PIPING

TEMPERATURE & PRESSURE GAUGES:
 - TEMPERATURE GAUGE AS SPECIFIED
 - PRESSURE GAUGE AS SPECIFIED

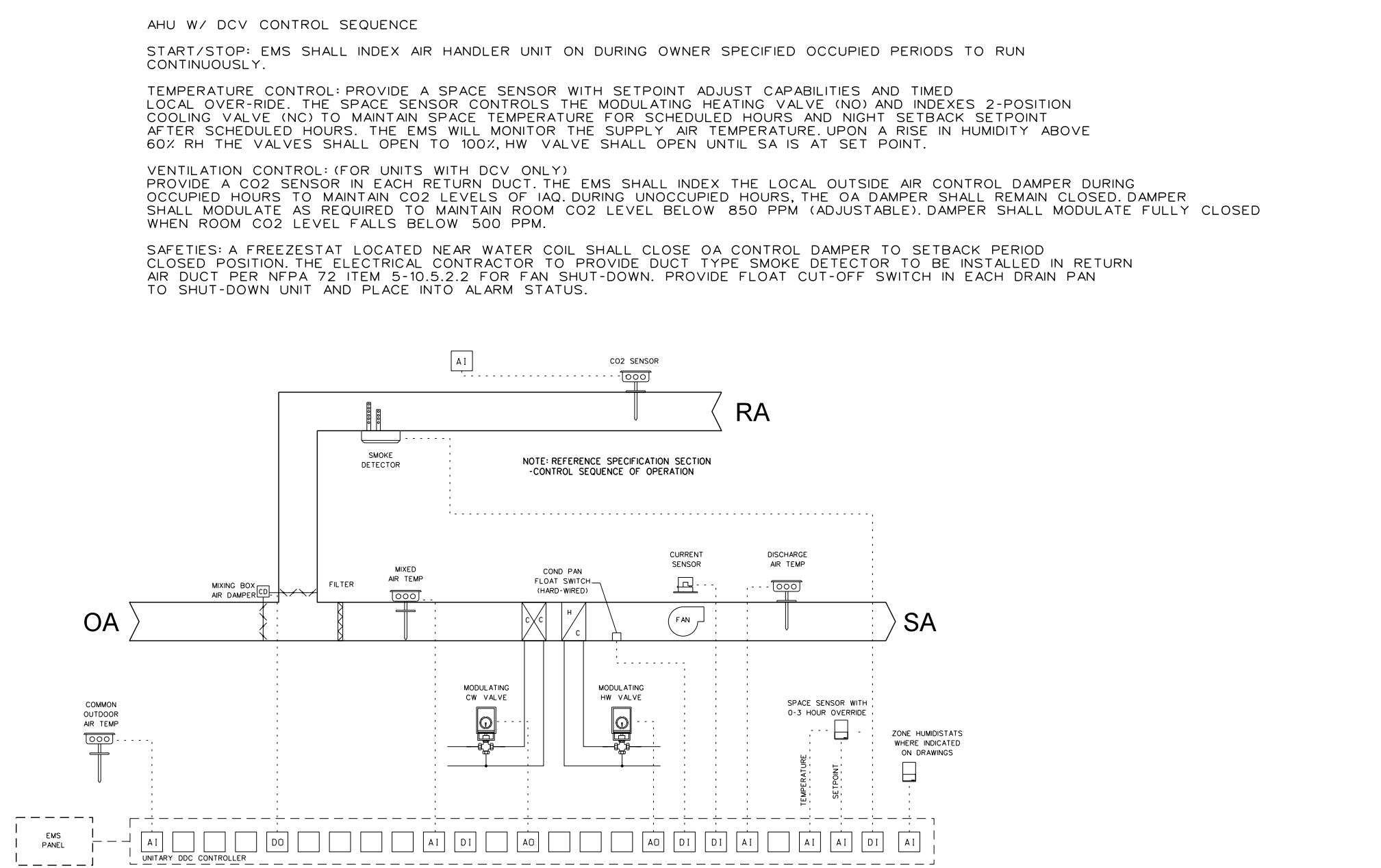
VALVES & CONNECTIONS:
 - ELBOW, TURNED UP
 - ELBOW, TURNED DOWN
 - TEE CONNECTION, BOTTOM
 - TEE CONNECTION, TOP
 - BALL VALVE AS SPECIFIED
 - CHECK, SWING GATE VALVE
 - CONTROL VALVE, ELECTRONIC/ELECTRIC
 - TRIPLE DUTY VALVE
 - STRAINER AS SPECIFIED
 - COMB. VALVE/STRAINER w/ P-T PORTS
 - FLOW CONTROL VALVE w/ P-T PORTS
 - BUTTERFLY VALVE
 - UNION, FLANGED
 - FLOW SWITCH
 - MANUAL AIR VENT
 - AIR/SEDIMENT SEPARATOR
 - TEMPERATURE WELL
 - CONTROL DAMPER
 - MOTOR STARTER
 - PUMP OR CIRCULATOR AS SCHEDULED

ABBREVIATIONS:
 CONTROL SWITCH AS SPECIFIED

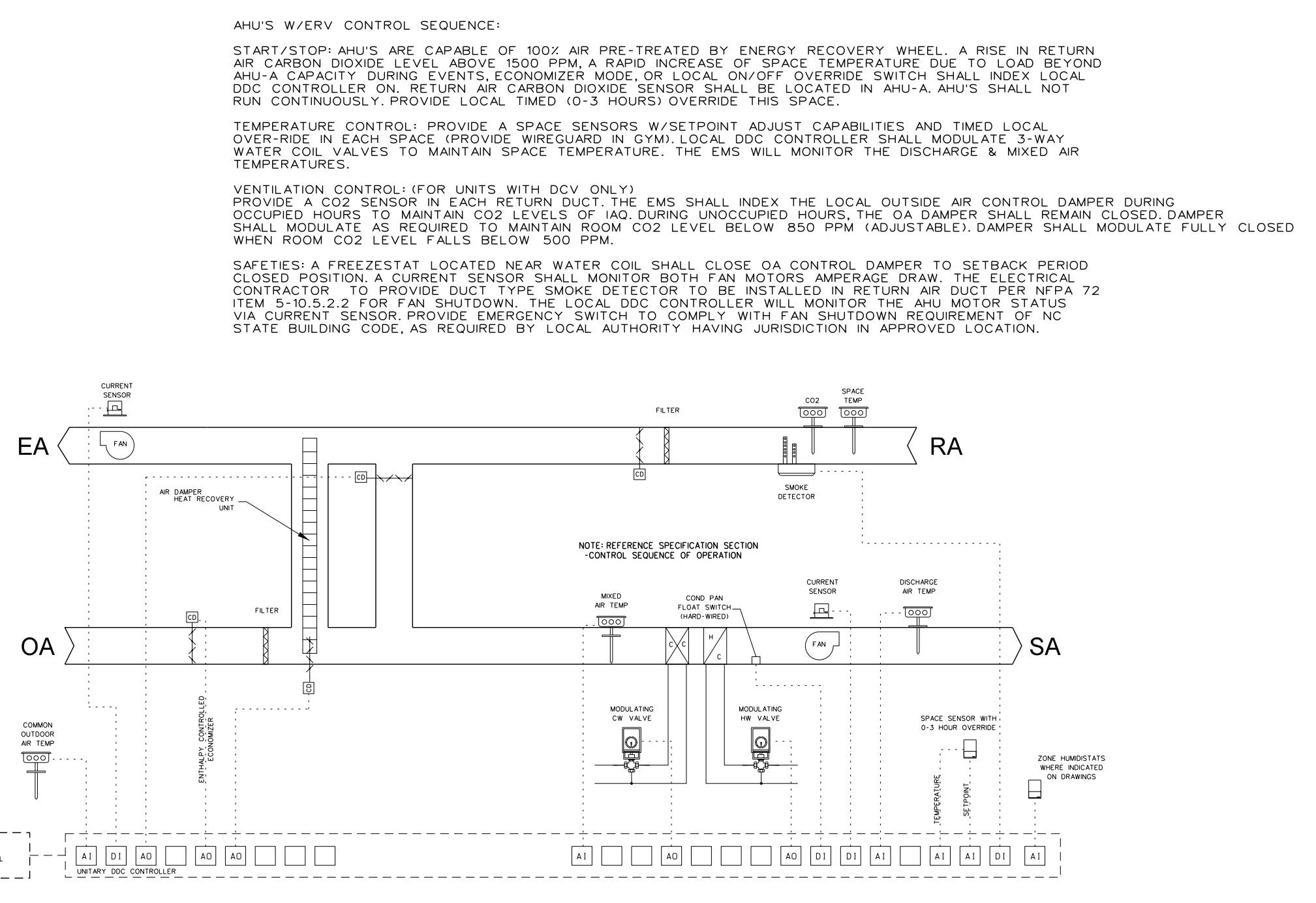
GENERAL CONTRACTOR (GC):
 AI ANALOG INPUT
 AO ANALOG OUTPUT
 DI DIGITAL INPUT
 DO DIGITAL OUTPUT
 AFF ABOVE FINISH FLOOR
 UN UNLESS OTHERWISE NOTED
 NO NORMALLY CLOSED
 NO NORMALLY OPEN

MECHANICAL CONTRACTOR (MC):
 P-T PRESSURE TEMPERATURE

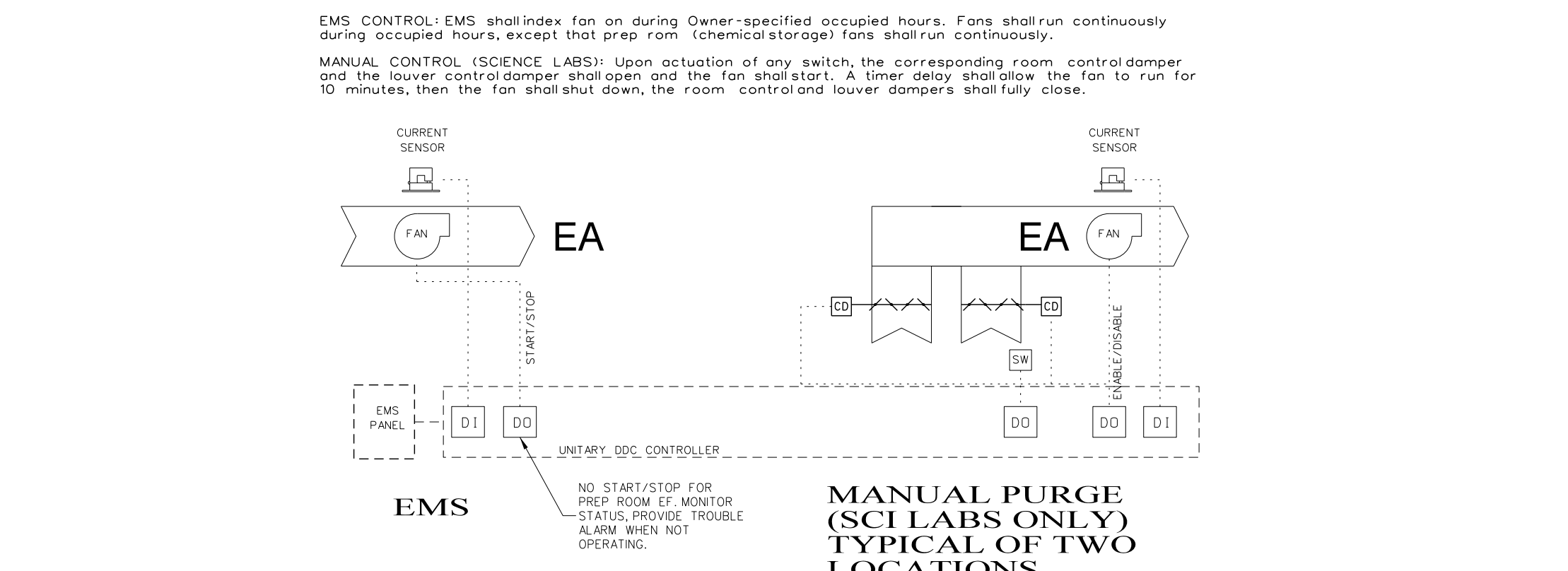
NOTE: LEGEND IS FOR REFERENCE ONLY - SYMBOLS/ABBREVIATIONS SHOWN DO NOT NECESSARILY APPLY TO THIS PROJECT. SEE ALSO SHEET T-1.



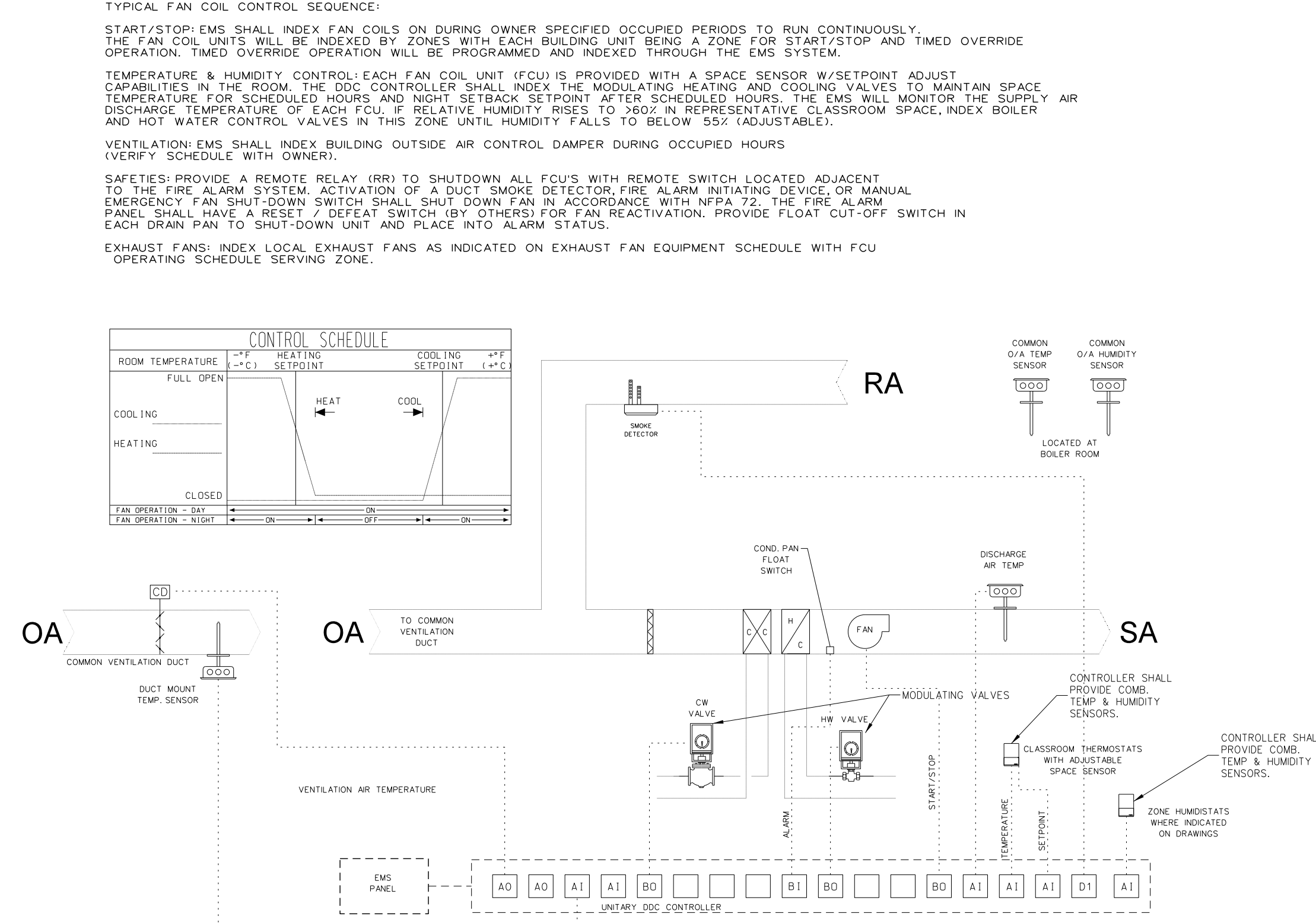
001.3 FC 121, 300, 400, AHU 420, 422 CONTROL DIAGRAM
 SCALE: none



001.2 AHU'S W/ERV CONTROL DIAGRAM
 SCALE: none



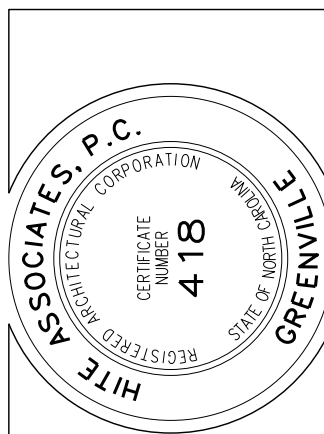
001.4 EXHAUST FAN CONTROL
 SCALE: none



001.1 TYPICAL FAN COIL CONTROL DIAGRAM
 SCALE: none

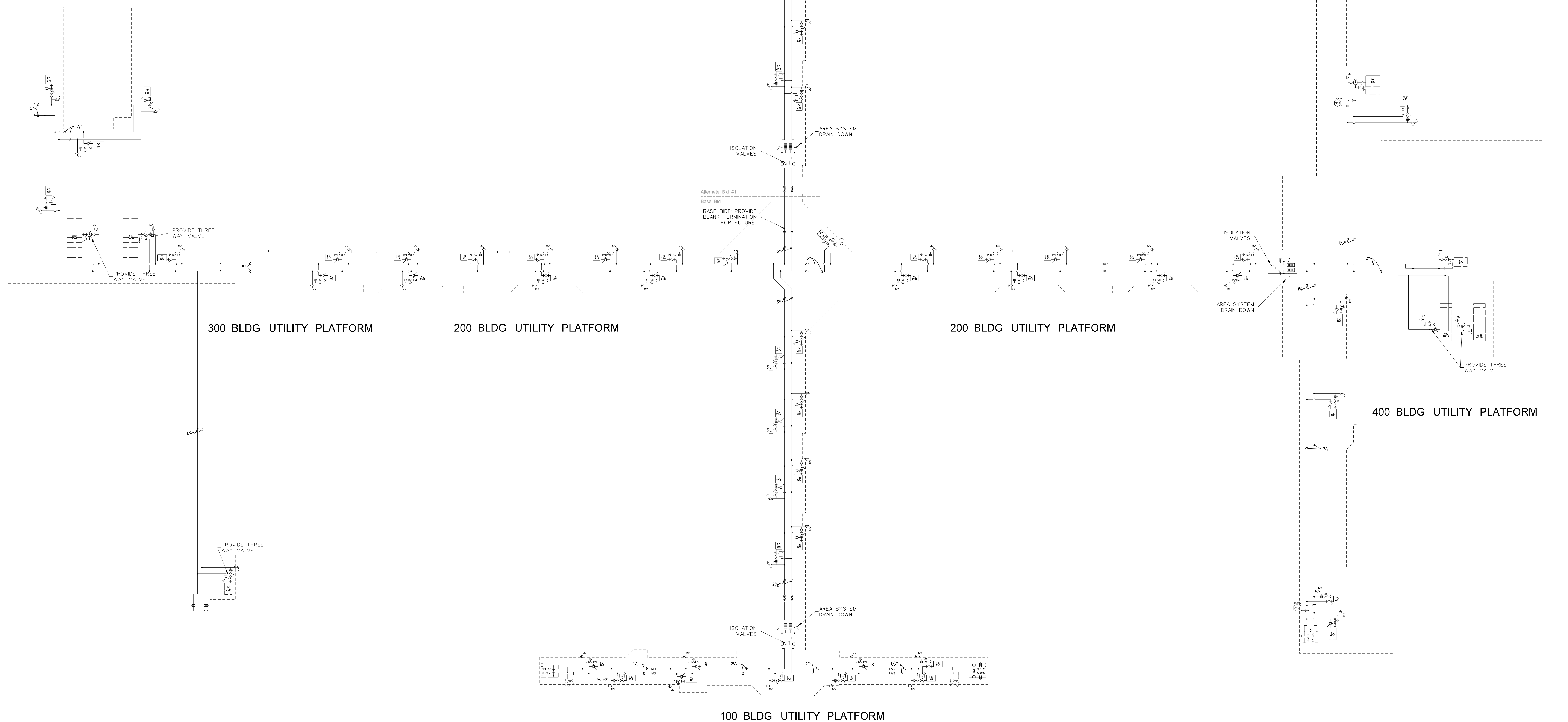
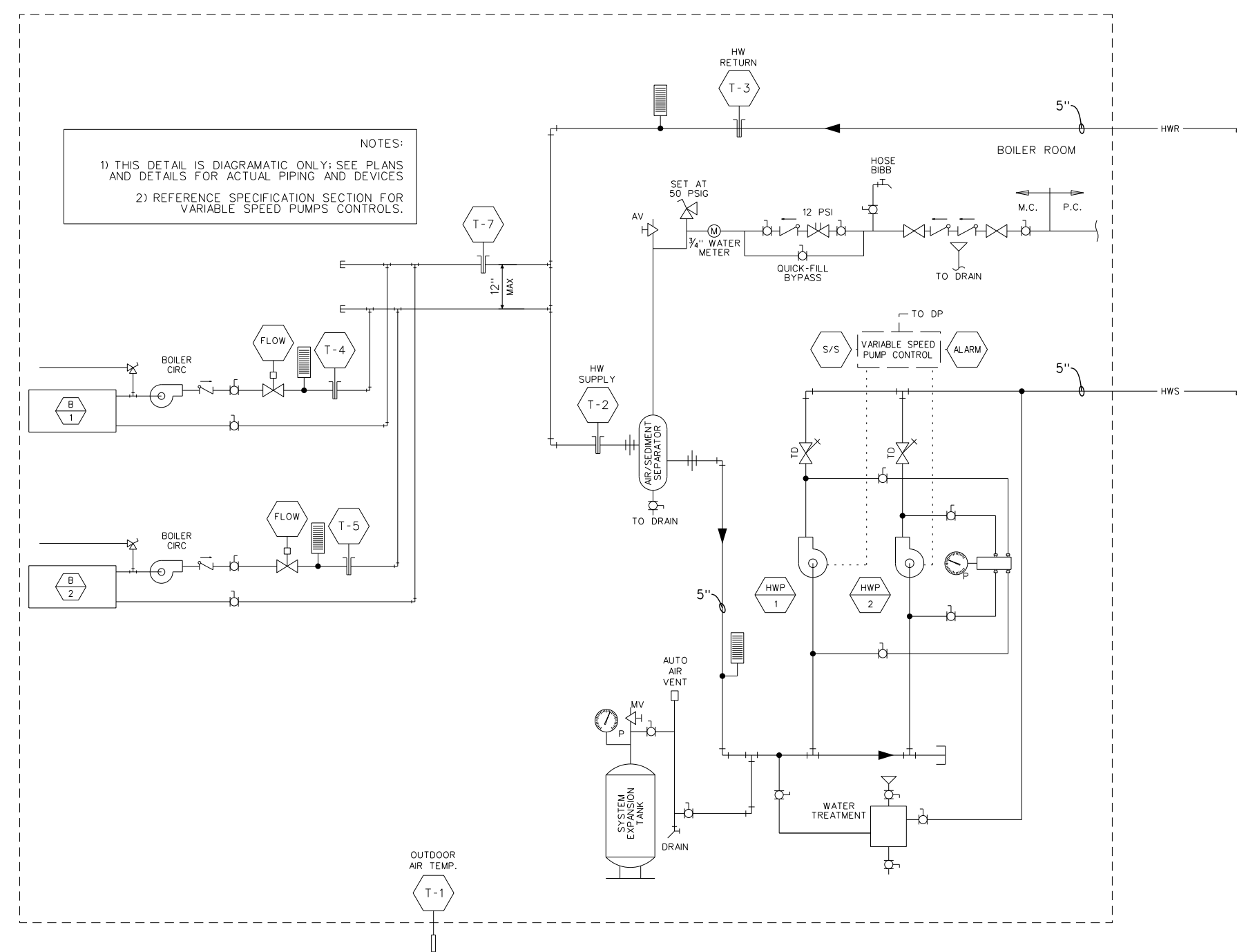
No.	Date	Revision

Hite associates
 ARCHITECTURE / ENGINEERING / TECHNOLOGY
 2600 Meridian Drive / Greenville, NC 27834 / tel: (252) 757-0333



RECORD DRAWING
New Bertie High School
 Bertie County Schools
 716 US 13 North / NCDPS Unit 080 - School 312
 Windsor / Bertie County / North Carolina

Project No: 21131
 Date: 28 March 2012
 Drawing No: **M 001**



BOILER CONTROL:

START/STOP: BMS shall index boiler DDC controller to provide variable water temperature system using adjustable reset ratio based on outdoor temperature with a minimum water reset temperature of 130 deg F. A PID control loop, comparing the actual HW supply temperature to its setpoint, shall index the boiler stages in order to achieve the setpoint target. The local DDC controller shall monitor supply and return temperatures on boiler and the primary circuit. Boiler room EF shall energize when boiler is running.

BURNER CONTROLS: Flame monitoring controls by others; see Boiler specification. BMS shall monitor failure signal.

BOILER CIRCULATOR PUMPS: System pumps shall be indexed by local DDC controller on call for heat EXHAUST FAN START/STOP: EF shall be programmed to run during occupied periods and stop during unoccupied periods.

HW SYSTEM PUMP: System pump shall be indexed by OA temperature or call for heating. Variable speed control by C.C., refer to Section 15966. BMS shall monitor pump status via motor amperage draw.

SAFETIES: Provide single boiler emergency shut-down red switch with alarm cover equal to Stopper II at boiler room exit door.

SYSTEM PUMPS: Constant speed staging control by pump Controls Contractor, refer to Section 15966, Item 2.4. BMS shall index controller & monitor failure status by either a digital signal or analog.

MISCELLANEOUS SYSTEMS CONTROL:

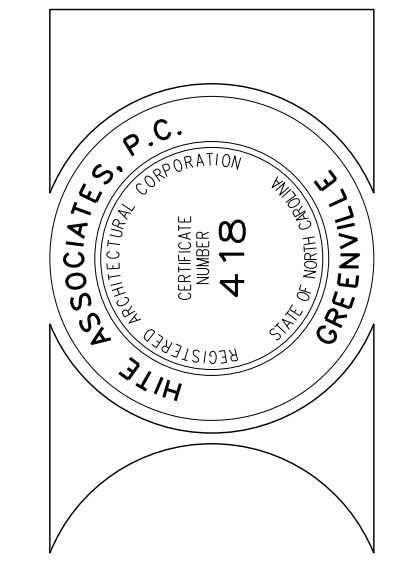
DOMESTIC HW CIRCULATOR PUMPS: Interlock electric & gas water heaters recirculating pumps for operation with EF start/stop operation, index kitchen domestic water heater pump per demand and setback Owner's schedule coincident with kitchen usage.

ENERGY MONITORING: BMS shall monitor both power consumption and power quality (voltage & amperage of each phase leg). Provide 1/2" conduit rough-ins to main service meter for power consumption monitoring for peak kWh.

002.1 HYDRONIC HEATING SYSTEM FLOW & CONTROL DIAGRAM
 SCALE: 1/8" = 1'-0"

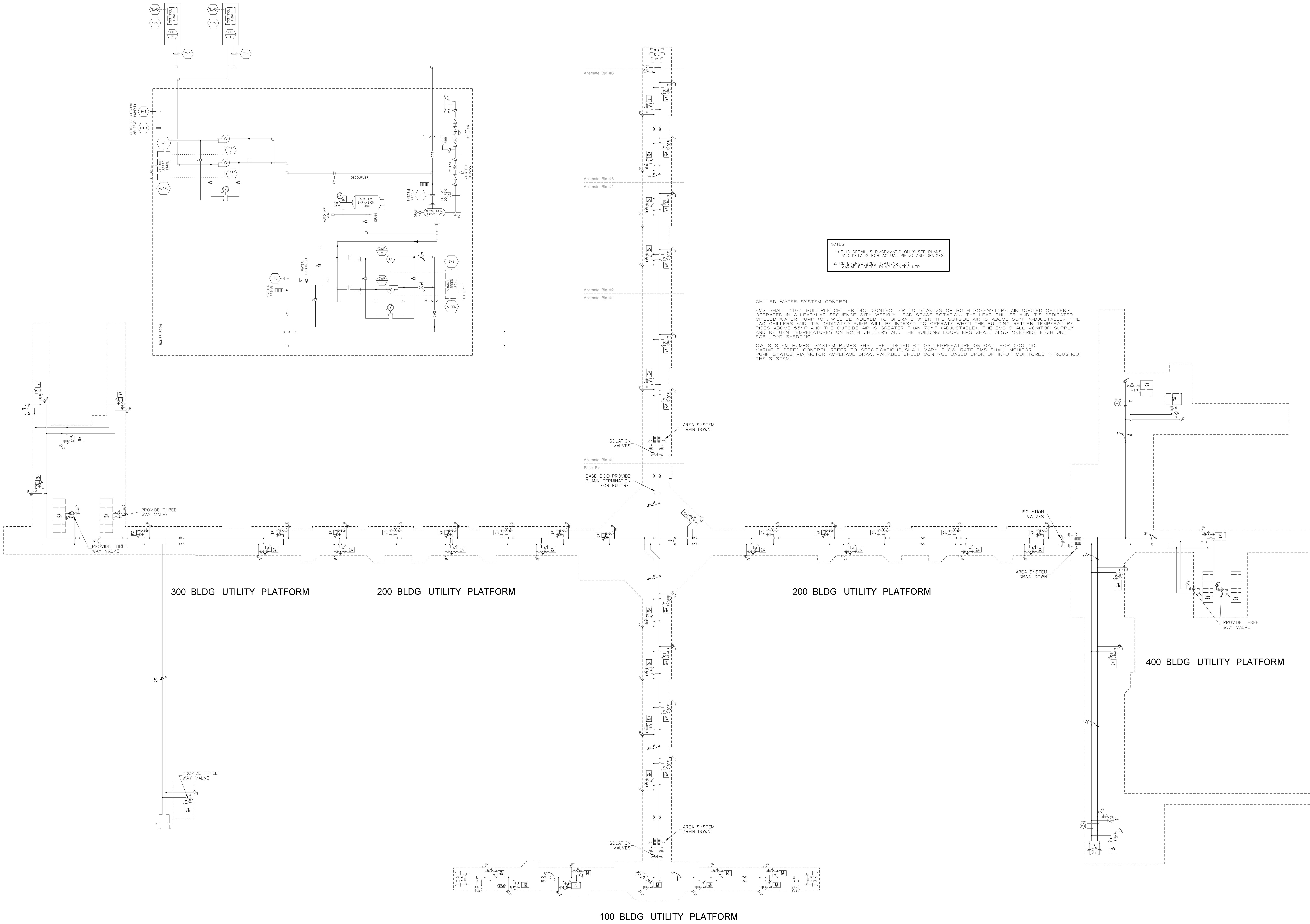
No.	Date	Revision

Hite associates
 ARCHITECTURE / ENGINEERING / TECHNOLOGY
 2600 Meridian Drive / Greenville, NC 27834 / tel (252) 757-0333



RECORD DRAWING
New Bertie High School
 Bertie County Schools
 716 US 13 North / NCDPS Unit 080 - School 312
 Windsor / Bertie County / North Carolina

Project No. 21131
 Date: 28 March 2012
 Drawing no. **M 002**



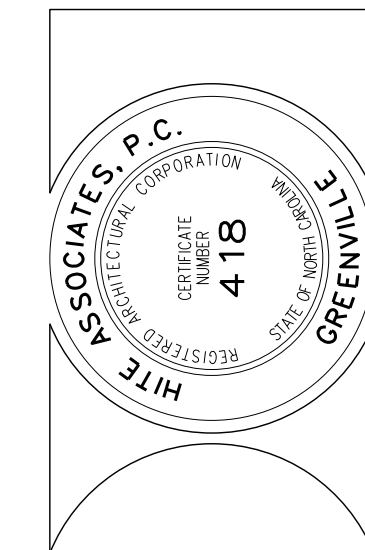
NOTES:
 1) THIS DETAIL IS DIAGRAMATIC ONLY; SEE PLANS AND DETAILS FOR ACTUAL PIPING AND DEVICES
 2) REFERENCE SPECIFICATIONS FOR VARIABLE SPEED PUMP CONTROLLER

CHILLED WATER SYSTEM CONTROL:
 EMS SHALL INDEX MULTIPLE CHILLER DDC CONTROLLER TO START/STOP BOTH SCREW-TYPE AIR COOLED CHILLERS OPERATED IN A LEAD/LAG SEQUENCE WITH WEEKLY LEAD STAGE ROTATION. THE LEAD CHILLER AND ITS DEDICATED CHILLED WATER PUMP (CP) WILL BE INDEXED TO OPERATE WHEN THE OUTSIDE AIR IS ABOVE 55°F (ADJUSTABLE). THE LAG CHILLERS AND ITS DEDICATED PUMP WILL BE INDEXED TO OPERATE WHEN THE BUILDING RETURN TEMPERATURE RISES ABOVE 55°F AND THE OUTSIDE AIR IS GREATER THAN 70°F (ADJUSTABLE). THE EMS SHALL MONITOR SUPPLY AND RETURN TEMPERATURES ON BOTH CHILLERS AND THE BUILDING LOOP. EMS SHALL ALSO OVERRIDE EACH UNIT FOR LOAD SHEDDING.
 CW SYSTEM PUMPS: SYSTEM PUMPS SHALL BE INDEXED BY OA TEMPERATURE OR CALL FOR COOLING. VARIABLE SPEED CONTROL, REFER TO SPECIFICATIONS, SHALL VARY FLOW RATE. EMS SHALL MONITOR PUMP STATUS VIA MOTOR AMPERAGE DRAW, VARIABLE SPEED CONTROL BASED UPON DP INPUT MONITORED THROUGHOUT THE SYSTEM.

003.1 CHILLED WATER SYSTEM FLOW & CONTROL DIAGRAM
 SCALE: 1/8" = 1'-0"

No.	Date	Revision

Hite associates
 ARCHITECTURE / ENGINEERING / TECHNOLOGY
 2600 Meridian Drive / Greenville, NC 27834 / tel (252) 757-0333



RECORD DRAWING
New Bertie High School
 Bertie County Schools
 716 US 13 North / NCDPS Unit 080 - School 312
 Windsor / Bertie County / North Carolina

Project No. 21131
 Date: 28 March 2012
 Drawing no. **M 003**

AIR DISTRIBUTION DEVICES & RUN-OUTS

TYPE	TAG	NECK	CFM/FPM	NC	FIN SIZE	MODEL	DESCRIPTION	FLEX	NOTES	
LAY-IN	SA	6" DIA	125/600	<25	24x24	5SHR	DIFFUSER, LOUVERED FACE, REMOVABLE CORE, FRAME 23	8" DIA	1-4,7	
	SB	8" DIA	250/650	<25	24x24	5SHR	DIFFUSER, LOUVERED FACE, REMOVABLE CORE, FRAME 23	10" DIA	1-4,7	
	SC	10" DIA	400/750	<25	24x24	5SHR	DIFFUSER, LOUVERED FACE, REMOVABLE CORE, FRAME 23	12" DIA	1-4,7	
	SD	12" DIA	500/650	<25	24x24	5SHR	DIFFUSER, LOUVERED FACE, REMOVABLE CORE, FRAME 23	12" DIA	1-4,7	
	SE	14" DIA	750/715	<25	24x24	5SHR	DIFFUSER, LOUVERED FACE, REMOVABLE CORE, FRAME 23	16" DIA	1-4,7	
	SF	16" DIA	1115/800	<25	24x24	5SHR	DIFFUSER, LOUVERED FACE, REMOVABLE CORE, FRAME 23	16" DIA	1-4,7	
	SG	6" DIA	120/-	<25	24" LG	1900	LINEAR DIFFUSER, 2-SLOT @ 1" WIDE, W/BOOT PLENUM & END CAPS	8" DIA	1-4,7	
	SH	8" DIA	240/-	<25	48" LG	1900	LINEAR DIFFUSER, 2-SLOT @ 1" WIDE, W/BOOT PLENUM & END CAPS	10" DIA	1-4,7	
	SJ	10" DIA	360/-	<30	48" LG	1900	LINEAR DIFFUSER, 2-SLOT @ 1" WIDE, W/BOOT PLENUM & END CAPS	12" DIA	1-4,7	
	SK	12" DIA	440/-	<30	48" LG	1900	LINEAR DIFFUSER, 2-SLOT @ 1" WIDE, W/BOOT PLENUM & END CAPS	12" DIA	1-4,7	
	SUPPLY AIR SURFACE / DUCT MOUNT	SL	6x6	165/650	<25	8x8	5880	REGISTER, DBL DEFLECTION, 3/4" BLADE SPACING, W/OBD, FRAME 22	8" DIA	1,3-5,7
		SM	12x6	300/600	<25	14x8	5880	REGISTER, DBL DEFLECTION, 3/4" BLADE SPACING, W/OBD, FRAME 22	10" DIA	1,3-5,7
		SN	22x6	550/600	<25	24x8	5880	REGISTER, DBL DEFLECTION, 3/4" BLADE SPACING, W/OBD, FRAME 22	12" DIA	1,3-5,7
		SP	12x12	575/575	<25	14x14	5880	REGISTER, DBL DEFLECTION, 3/4" BLADE SPACING, W/OBD, FRAME 22	14" DIA	1,3-5,7
		SQ	14x14	785/575	<25	16x16	5880	REGISTER, DBL DEFLECTION, 3/4" BLADE SPACING, W/OBD, FRAME 22	16" DIA	1,3-5,7
		SR	18x14	1140/650	<25	20x16	5880	REGISTER, DBL DEFLECTION, 3/4" BLADE SPACING, W/OBD, FRAME 22	16" DIA	1,3-5,7
SS		6" DIA	125/600	<25	24x24	5SHR	DIFFUSER, LOUVERED FACE, REMOVABLE CORE, FRAME 22	8" DIA	1,3-5,7	
ST		8" DIA	250/650	<25	24x24	5SHR	DIFFUSER, LOUVERED FACE, REMOVABLE CORE, FRAME 22	10" DIA	1,3-5,7	
SU		10" DIA	400/750	<25	24x24	5SHR	DIFFUSER, LOUVERED FACE, REMOVABLE CORE, FRAME 22	12" DIA	1,3-5,7	
SV		12" DIA	500/650	<25	24x24	5SHR	DIFFUSER, LOUVERED FACE, REMOVABLE CORE, FRAME 22	12" DIA	1,3-5,7	
SW		14" DIA	750/715	<25	24x24	5SHR	DIFFUSER, LOUVERED FACE, REMOVABLE CORE, FRAME 22	16" DIA	1,3-5,7	
SX		16" DIA	1115/800	<25	24x24	5SHR	DIFFUSER, LOUVERED FACE, REMOVABLE CORE, FRAME 22	16" DIA	1,3-5,7	
DUCT		SY	6x18	465/563	<25	6x18	DPL	DRUM PUNKAH LOUVER, ADJUSTABLE ROTATING W/DAMPER	NA	1
		SZ	10x25	995/550	<25	10x25	DPL	DRUM PUNKAH LOUVER, ADJUSTABLE ROTATING W/DAMPER	NA	1
SPECIAL		TF-6	6" DIA	100/550	<25			VAV DIFFUSER, PANEL FACE, UNIVERSAL MOUNTING PER MFR INSTRUCTIONS WITH DUAL THERMAL ELEMENT THERMOSTATS FOR HEATING AND COOLING.	8" DIA	
		TF-8	8" DIA	200/600	<25			WITH MINIMUM FLOW STOPS SET AT 30% OF SCHEDULED AIR FLOW, BASIS OF DESIGN IS ACUTHERM THERMAPUSER, PROVIDE BY-PASS R-RING AT EACH DEVICE.	10" DIA	1-5,7
	TF-10	10" DIA	370/700	<25	24x24	TF-HC		12" DIA		
	TF-12	12" DIA	470/625	<25				12" DIA		
RETURN / EXHAUST AIR LAY-IN	RA	20x20	1090/425	<25	24x24	5580	CEILING GRILLE, 35° DEFLECTION, 3/4" BLADE SPACING, FRAME 23	16" DIA	1,2,4,7	
	RB	20x20	1285/500	<25	24x24	5580P	PERFORATED FACE RETURN, 51/2" FREE AREA, FRAME 23	18" DIA	1,2,4,7	
	RC	24x10	1155/775	<25	24x10	EG10	EGG CRATE RETURN, 1"x1"x1", FRAME FTB, LAY-IN CEILING PLENUM	NA	1,2,4,6	
	RD	20x20	2185/850	<30	24x24	EG10	EGG CRATE RETURN, 1"x1"x1", FRAME FTB, LAY-IN CEILING PLENUM	NA	1,2,4,6	
	RE	10" DIA	300/-	<30	24" LG	1900	LINEAR RETURN, 3-SLOT @ 1" WIDE W/ BOOT PLENUM & END CAPS	NA	1,2,4,7	
	RF	14" DIA	740/-	<30	48" LG	1900	LINEAR RETURN, 3-SLOT @ 1" WIDE W/ BOOT PLENUM & END CAPS	NA	1,2,4,7	
	RG	6x6	95/500	<25	8x8	5580	WALL / CEILING GRILLE, 35° DEFLECTION, 3/4" BLADE SPACING, FRAME 22	8" DIA	1,4,5,7	
	RH	12x8	345/613	<25	14x10	5580	WALL / CEILING GRILLE, 35° DEFLECTION, 3/4" BLADE SPACING, FRAME 22	12" DIA	1,4,5,7	
	RJ	27x8	640/488	<25	29x10	5580	WALL / CEILING GRILLE, 35° DEFLECTION, 3/4" BLADE SPACING, FRAME 22	16" DIA	1,4,5,7	
	RK	16x16	785/488	<25	18x18	5580	WALL / CEILING GRILLE, 35° DEFLECTION, 3/4" BLADE SPACING, FRAME 22	16" DIA	1,4,5,7	
	RL	30x16	1315/425	<25	32x18	5580	WALL / CEILING GRILLE, 35° DEFLECTION, 3/4" BLADE SPACING, FRAME 22	18" DIA	1,4,5,7	
	RM	30x30	2200/370	<25	32x32	5580	WALL / CEILING GRILLE, 35° DEFLECTION, 3/4" BLADE SPACING, FRAME 22	NA	1,4,5,8	
	RO	72x48	9750/800	<30	-	5880	WALL / CEILING GRILLE, 35° DEFLECTION, 3/4" BLADE SPACING, FRAME 22	NA	1,4,5,8	
	RN	8x80	1655/-	<30	-	1975R	LINEAR SLOT DIFFUSER, "SLOTS, NO BLADES; ALUMINUM CONSTRUCTION	NA	1-8	

NOTES:
 (1) ALL MODELS ARE BASED ON KRUEGER, COLOR WHITE, UON. PROVIDE MOUNTING FASTENERS TO MATCH UNIT COLOR, & SQUARE-TO-ROUND TRANSITIONS AS REQUIRED.
 (2) PROVIDE HANGING TABS ON ALL LAY-IN CEILING DEVICES, & SUPPORT FROM STRUCTURE USING 12-GAUGE WIRE AT ALL CORNERS.
 (3) PROVIDE FIELD-APPLIED 2-INCH FOIL-FACED INSULATION OVER BACK OF ALL SUPPLY AIR DEVICES.
 (4) PROVIDE RADIATION DAMPER AND CERAMIC BLANKET FOR ALL DEVICES IN CONNECTING CORRIDORS, UON.
 (5) PROVIDE BALANCING DAMPER WITH ROOM-SIDE ADJUSTMENT FOR ALL SURFACE-MOUNT DEVICES.
 (6) PROVIDE BOOT PLENUM W/SOUND LINER INSULATION PER DETAILS FOR CEILING PLENUM DEVICES.
 (7) PROVIDE RUN-OUT SIZED TO MATCH DEVICE, EXCEPT THAT FLEX DUCT SHALL BE OVER-SIZED AS SCHEDULED.
 (8) FLEX DUCT NOT PERMITTED. SEE DWGS FOR DUCT SIZE.

NOTE - NOT ALL DEVICES WILL BE USED ON THIS PROJECT.

EXHAUST FAN VENTILATOR SCHEDULE

MARK	SERVICE	CFM	RPM	S.P.	ELECTRICAL	CONTROLS	MODEL NO./DESCRIPTION	NOTES
EF-1A	BREAK RM 106 / TLT 119	475	1050	.38	120V / 4.4A	EMS	GREENHECK NO. CSP-255 INLINE CABINET EXHAUSTER	1,2,4
EF-1B	TOILET 112 & 113	150	1550	.1	115V/1ph/1/40hp	EMS	GREENHECK NO. SQ-60-D INLINE CENTRIFUGAL FAN	1,2,3
EF-1C	CUSTODIAN 127	75	900	.1	115V/1ph/.34A	EMS	GREENHECK NO. SP-AP0 CEILING CABINET EXHAUST FAN	1,2,3
EF-1D	TOILETS 132 & 133	1050	860	.125	115V/1ph/1/8hp	EMS	GREENHECK NO. SQ-130-C INLINE CENTRIFUGAL FAN	1,2,4
EF-2A	SCIENCE 220, 224	1300	1725	0.75	120V/1PH/0.5HP	SWITCH	GREENHECK NO. SQ-120-A	1,2
EF-2B	TOILETS 213-214	150	1550	.1	115V/1ph/1/40hp	EMS	GREENHECK NO. SQ-60-D INLINE CENTRIFUGAL FAN	1,2,3
EF-2C	SCIENCE 234, 238	1300	1725	0.75	120V/1PH/0.5HP	SWITCH	GREENHECK NO. SQ-120-A	1,2
EF-2D	TOILETS 250-251	1200	1725	.125	115V/1ph/1/2hp	EMS	GREENHECK NO. SQ-120-A INLINE CENTRIFUGAL FAN	1,2,4
EF-2E	234 HOOD	750	1725	0.75	120V/1PH/0.33HP	SWITCH	GREENHECK CW-101-A	1,2,6
EF-2F	PREP 236	1000	1725	0.75	460V/3PH/0.5HP	CONTINUOUSLY	GREENHECK NO. SQ-120-A	1,2
EF-2G	PREP 222	1000	1725	0.75	460V/3PH/0.5HP	CONTINUOUSLY	GREENHECK NO. SQ-120-A	1,2
EF-2H	TOILETS 215 & 216	1050	860	.125	115V/1ph/1/8hp	EMS	GREENHECK NO. SQ-130-C INLINE CENTRIFUGAL FAN	1,2,4
EF-2J	TOILETS 244 & 245	1050	860	.125	115V/1ph/1/8hp	EMS	GREENHECK NO. SQ-130-C INLINE CENTRIFUGAL FAN	1,2,4
EF-2K	KILN EXHAUST	560	1050	.38	115V/1PH/4.4A	VARI-SPEED	GREENHECK NO. CSP-255 INLINE CABINET EXHAUSTER	1,2,3
EF-2L	SCIENCE CLASSROOM 249	1255	1725	.125	120V/1PH/1/4HP	SWITCH	GREENHECK NO. SQ-120-A INLINE CENTRIFUGAL FAN	1,2
EF-2M	PREP 247	450	1300	.125	120V/1PH/1/25HP	CONTINUOUSLY	GREENHECK NO. SQ-90-G INLINE CENTRIFUGAL FAN	1,2
EF-3A	WOMEN 301	375	1725	.40	115V/1PH/1/2HP	EMS	GREENHECK NO. B50-90 INLINE EXHAUSTER	1,2,3
EF-3B	MEN 302	375	1725	.40	115V/1PH/1/2HP	EMS	GREENHECK NO. B50-90 INLINE EXHAUSTER	1,2,3
EF-3C	CONCESSION 302	200	1000	.38	115V/1PH/0.7A	EMS	GREENHECK NO. SP-A250 CEILING EXHAUSTER	1,2,3
EF-3D	CUSTODIAN 304	200	1000	.38	115V/1PH/0.7A	EMS	GREENHECK NO. SP-A250 CEILING EXHAUSTER	1,2,3
EF-3E	MALE LOCKER	1075	1725	.40	115V/1PH/1/2HP	EMS	GREENHECK NO. B50-100 INLINE EXHAUSTER	1,2,3
EF-3F	FEMALE LOCKER	1075	1725	.40	115V/1PH/1/2HP	EMS	GREENHECK NO. B50-100 INLINE EXHAUSTER	1,2,3
EF-3G	FEMALE LOCKER-LAUNDRY	900	1725	.40	115V/1PH/1/2HP	EMS	GREENHECK NO. B50-100 INLINE EXHAUSTER	1,2,3
EF-3H	MALE LOCKER	1050	1725	.40	115V/1PH/1/2HP	EMS	GREENHECK NO. B50-100 INLINE EXHAUSTER	1,2,3
EF-3J	BOILER ROOM	2600	830	.25	115V/1 ph/1/2hp	THERMOSTAT	GREENHECK NO. SBE-1H24 BELT DRIVE SIDEWALL PROPELLER FAN	1,2,6
EF-4A	WOMEN 401	375	1725	.40	115V/1PH/1/2HP	EMS	GREENHECK NO. B50-90 INLINE EXHAUSTER	1,2,3
EF-4B	MEN 402	375	1725	.40	115V/1PH/1/2HP	EMS	GREENHECK NO. B50-90 INLINE EXHAUSTER	1,2,3
EF-4C	KITCHEN HOOD EXHAUST AIR	7394	684	1.3	480V/3ph/3hp	HOOD SWITCH	CAPTIVE ARE NO. NCA30FA SIDEWALL CENTRIFUGAL EXHAUSTER	1,2,7,8
EF-4D	FLY FAN	3000	1750	-	115V/1 ph/1/2hp	JAMB SWITCH	MARS NO. 42COMBI AIR DOOR	1,2
EF-4E	KITCHEN HOOD MAKE-UP AIR	5840	917	.5	480V/3ph/2hp	HOOD SWITCH	CAPTIVE ARE NO. IS0622 BELT-DRIVE INLINE	1,2
EF-4F	DISHWASHER	1500	-	1.0	115V/1 ph/1/2hp	NOTE 5	GREENHECK NO. CWB-120 SIDEWALL CENTRIFUGAL FAN	1,2
EF-4G	TOILET 428 & CUSTODIAN 427	150	1550	.1	115V/1ph/1/40hp	EMS	GREENHECK NO. SQ-60-D INLINE CENTRIFUGAL FAN	1,2,3

NOTES:
 (1) MODEL NUMBERS NOTED ARE GREENHECK EQUIPMENT, UNLESS OTHERWISE NOTED. EXHAUST FANS MEETING OR EXCEEDING PERFORMANCE DATA MANUFACTURED BY COOK OR CARNES ARE ACCEPTABLE SUBSTITUTES.
 (2) FURNISH AND INSTALL MFR'S CONTROLLER OR EQUIVALENT & ALL ACCESSORIES INDICATED ON DETAILS.
 (3) FURNISH AND INSTALL 10"x3" HOODED WALL CAP WITH INTEGRAL FLASHING, BDD, AND BIRD SCREEN. GREENHECK MODEL NO. WC OR EQUIVALENT.
 (4) FURNISH AND INSTALL 18"x8" HOODED WALL CAP WITH INTEGRAL FLASHING, BDD, AND BIRD SCREEN. GREENHECK MODEL NO. WC OR EQUIVALENT.
 (5) INTERLOCK WITH DISHWASHER OPERATION WITH 30 MINUTE POST-DELAY.
 (6) PROVIDE MANUFACTURER'S WALL MOUNT HOUSING w/ OSHA APPROVED MOTOR GUARD, INSTALLATION COLLAR, & BDD
 (7) PROVIDE GREASE TRAY w/ RECEPTACLE CONTAINER
 (8) ACTUAL AIRFLOW AT 275 °F IS 6573 CFM ADJUSTING FOR AIR DENSITY

ABBREVIATIONS:
 BDD - BACK DRAFT DAMPER
 DPST - DOUBLE POLE SINGLE THROW SWITCH BY E.C.
 CFM - AIR FLOW (cu ft/min)
 NC - NOISE CRITERIA (sones)
 EMS - ENERGY MANAGEMENT SYSTEM
 M.S. - MOTOR STARTER / PUSHBUTTON BY E.C.
 VARI-SPEED/EMS - VARIABLE SPEED SWITCH INTERLOCKED WITH EMS

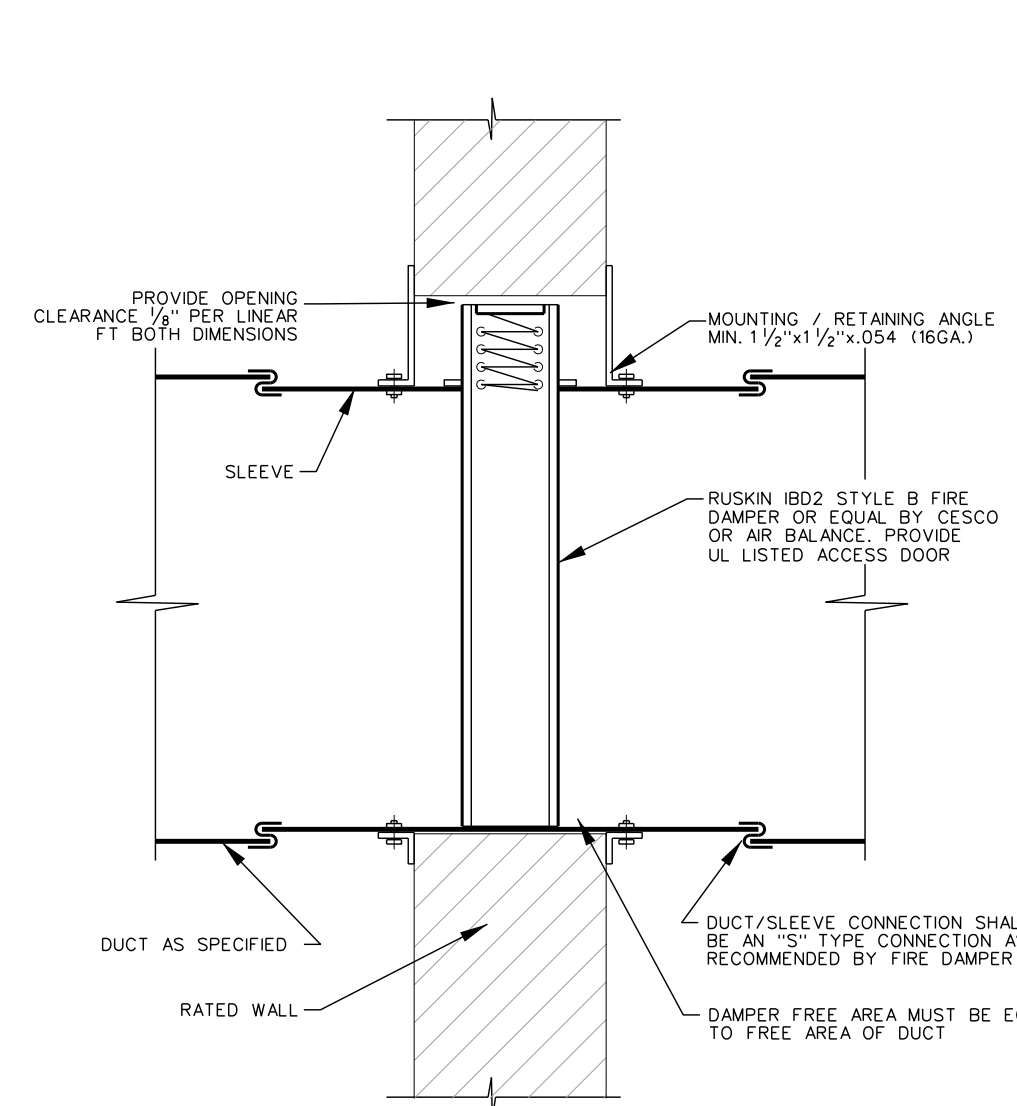
AIR HANDLER W/ENERGY RECOVERY EQUIPMENT SCHEDULE

SYSTEM	TAG	ZONE	AIR DATA		COOLING DATA										HEATING DATA										EQUIPMENT DATA									
			CFM	OA	TCL	SC	EAT _{db}	EAT _{wb}	GPM	LWT	conn	PD	HEAT	EAT	LWT	GPM	conn	PD	ESP	HP	ELECT	ESHA	HP	ELECT	ELECT	DESCRIPTION	MFR./MODEL No.	WEIGHT	ROWS	NOTES	TAG			
AHU-306A	OTM		10000	8500	3691	268.7	65.9	54.1	52.5	54	3.0*	4.0	312.4	611	100.0	21	2.0*	4.0	15	121.75	460V/3PH	1.0	10.0	460V/3PH	12A 460V/3PH	MODULAR AIR-HANDLER	TRANE NO. MCCB-21	5567	6/2	1-9	AHU-306A			
AHU-306B	OTM		10000	8500	3691	268.7	65.9	54.1	52.5	54	3.0*	4.0	312.4	611	100.0	21	2.0*	4.0	15	121.75	460V/3PH	1.0	10.0	460V/3PH	12A 460V/3PH	MODULAR AIR-HANDLER	TRANE NO. MCCB-21	5567	6/2	1-9	AHU-306B			
AHU-405A	AUDITORIUM		6000	2600	205.3	107.5	74.3	64.8	29.3	56.0	2.0*	4.0	168.6	64.0	100.0	13.3	1.94*	4.0	15	7.5	460V/3PH	1.0	5.0	460V/3PH	460V/3PH	MODULAR AIR-HANDLER	TRANE NO. MCCB-12	3668	6/2	1-9	AHU-405A			
AHU-405B	AUDITORIUM		6000	2600	205.3	107.5	74.3	64.8	29.3	56.0	2.0*	4.0	168.6	64.0	100.0	13.3	1.94*	4.0	15	7.5	460V/3PH	1.0	5.0	460V/3PH	460V/3PH	MODULAR AIR-HANDLER	TRANE NO. MCCB-12	3668	6/2	1-9	AHU-405B			

NOTES:
 1) TOTAL COOLING LOAD, SENSIBLE COOLING LOAD, AND HEATING LOAD UNITS ARE MBH.
 COOLING LOADS INCLUDES VENTILATION, HEAT FAN & PLENUM HEAT GAIN DURING NON-SIMULTANEOUS PEAK OPERATION, W/O INCLUSION OF ZONE DIVERSITY.
 EXTERIOR DESIGN CONDITIONS: WINTER DRY BULB + 92°F, SUMMER DRY BULB + 92°F, MEAN COINCIDENT WET BULB + 76°F
 2) REFERENCE SPECIFICATION SECTIONS 19850 & 19855 FOR EQUIPMENT AND ACCESSORIES.
 3) SEE ALSO EQUIPMENT INSTALLATION DETAILS FOR ACCESSORIES, OPTIONS, ETC.
 4) CHILLED WATER FWT = 42.0, LWT = 56.0
 5) HOT WATER FWT = 160.0, ENTERING AIR TEMP = 55 F (AVG.)
 6) CONTRACTOR RESPONSIBLE FOR LEFT OR RIGHT HAND MOTOR/BLOWER ASSY SELECTION
 7) PROVIDE HEAT RECOVERY/RECTOR WHEEL
 8) AHU'S HAVE TWO FANS, SUPPLY AND EXHAUST. SUPPLY HP IS LISTED FIRST.
 9) OA SCHEDULED FOR MAXIMUM WHEN NOT IN ECONOMIZER MODE.

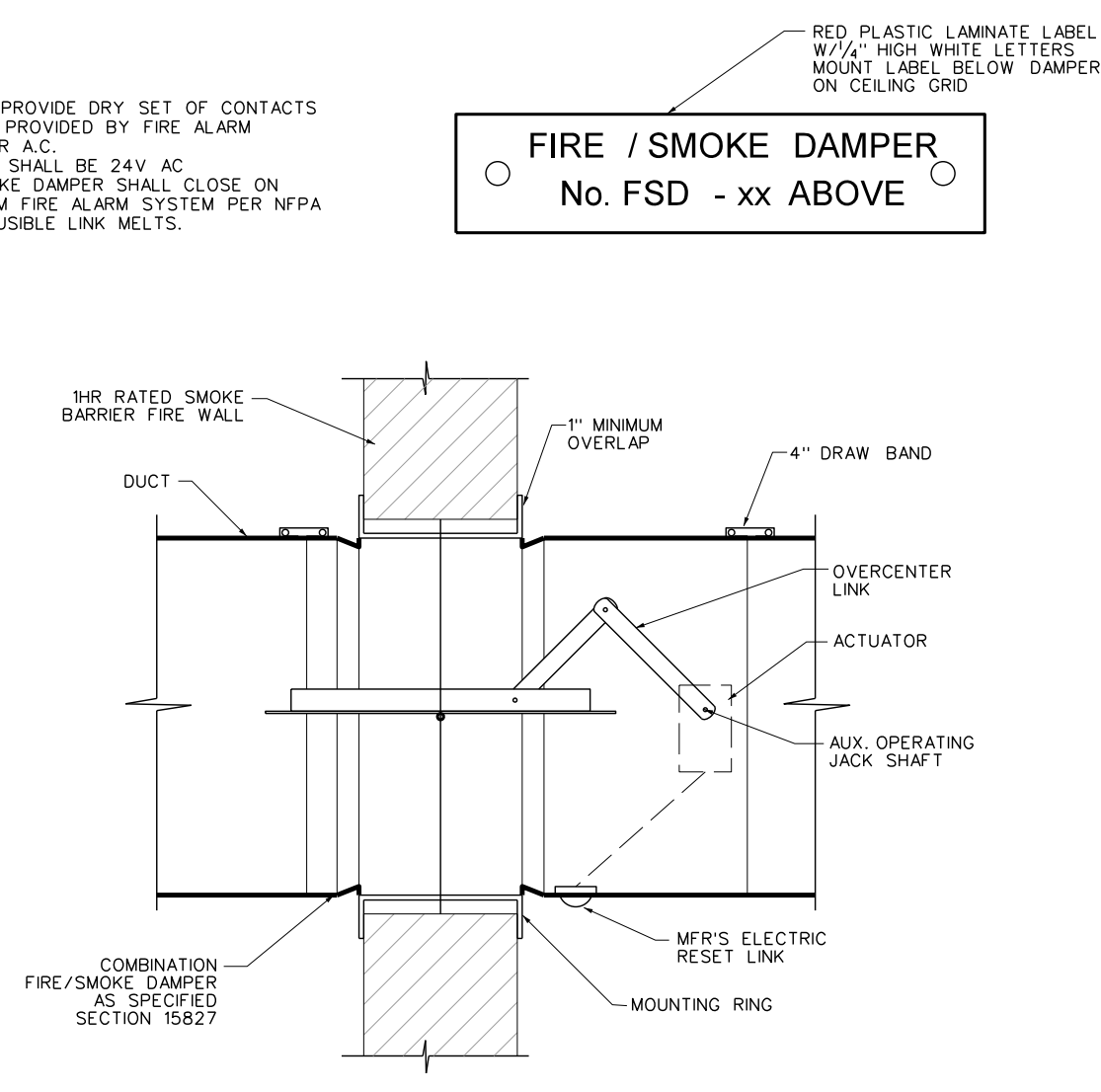
AIR HANDLER UNIT EQUIPMENT SCHEDULE

SYSTEM	TAG	ZONE	AIR DATA		COOLING DATA										HEATING DATA										EQUIPMENT DATA									
			CFM	OA	TCL	SC	EAT _{db}	EAT _{wb}	GPM	LWT	conn	PD	HEAT	EAT	LWT	GPM	conn	PD	ESP	HP	ELECT	ES												



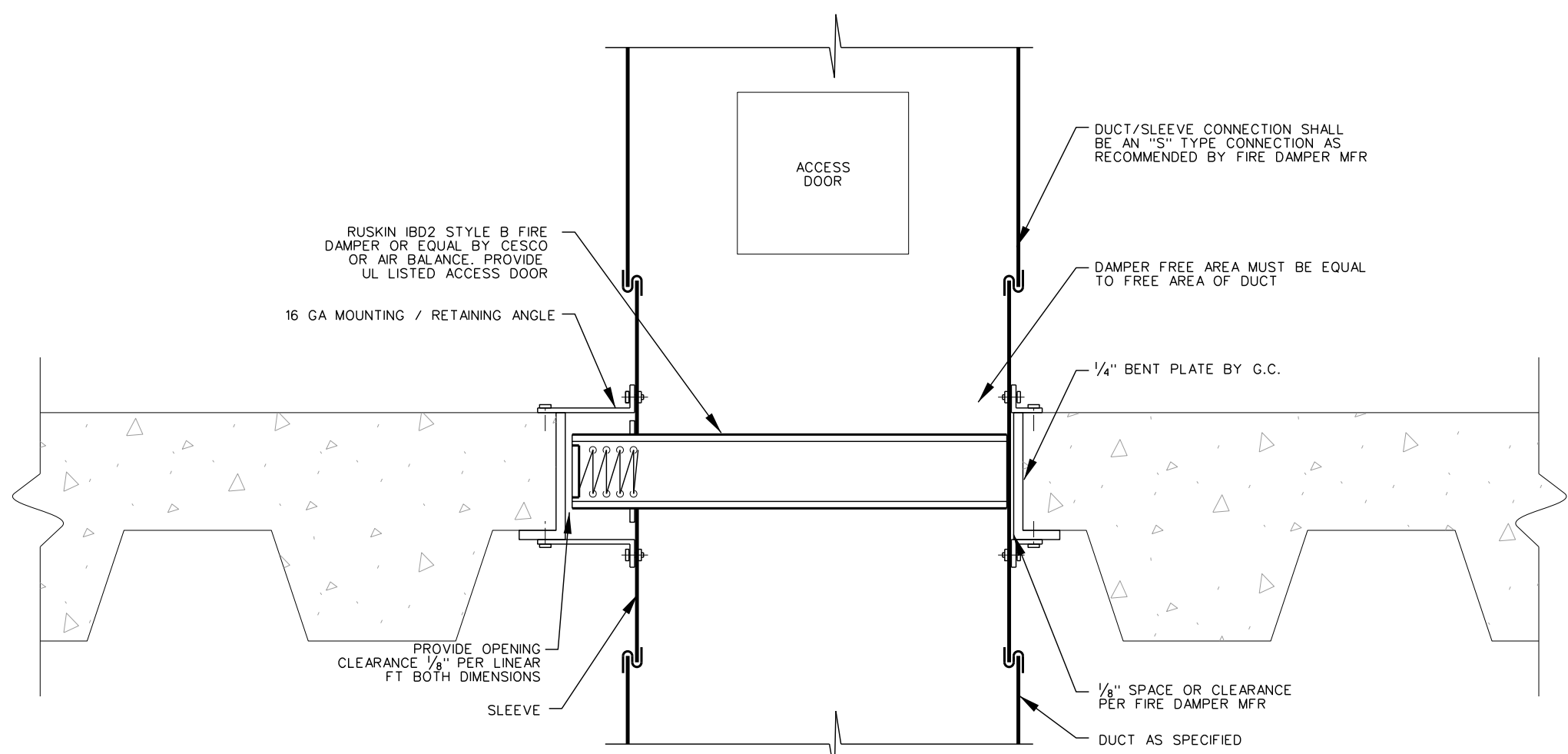
005.4 VERTICAL FIRE DAMPER DETAIL

SCALE: none



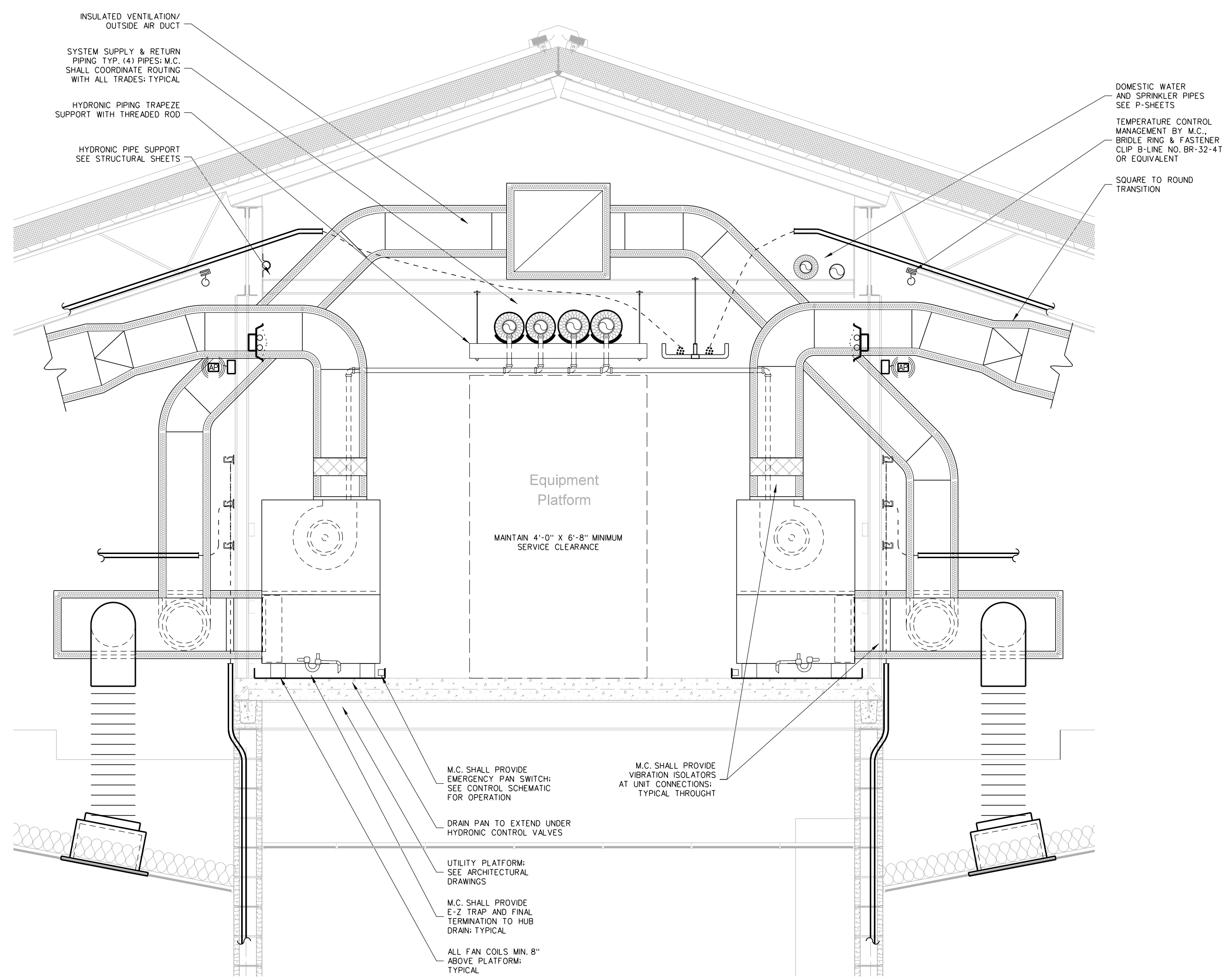
005.3 COMBINATION FIRE/SMOKE DAMPER

SCALE: none



005.2 2ND FLOOR FIRE DAMPER INSTALLATION

SCALE: none

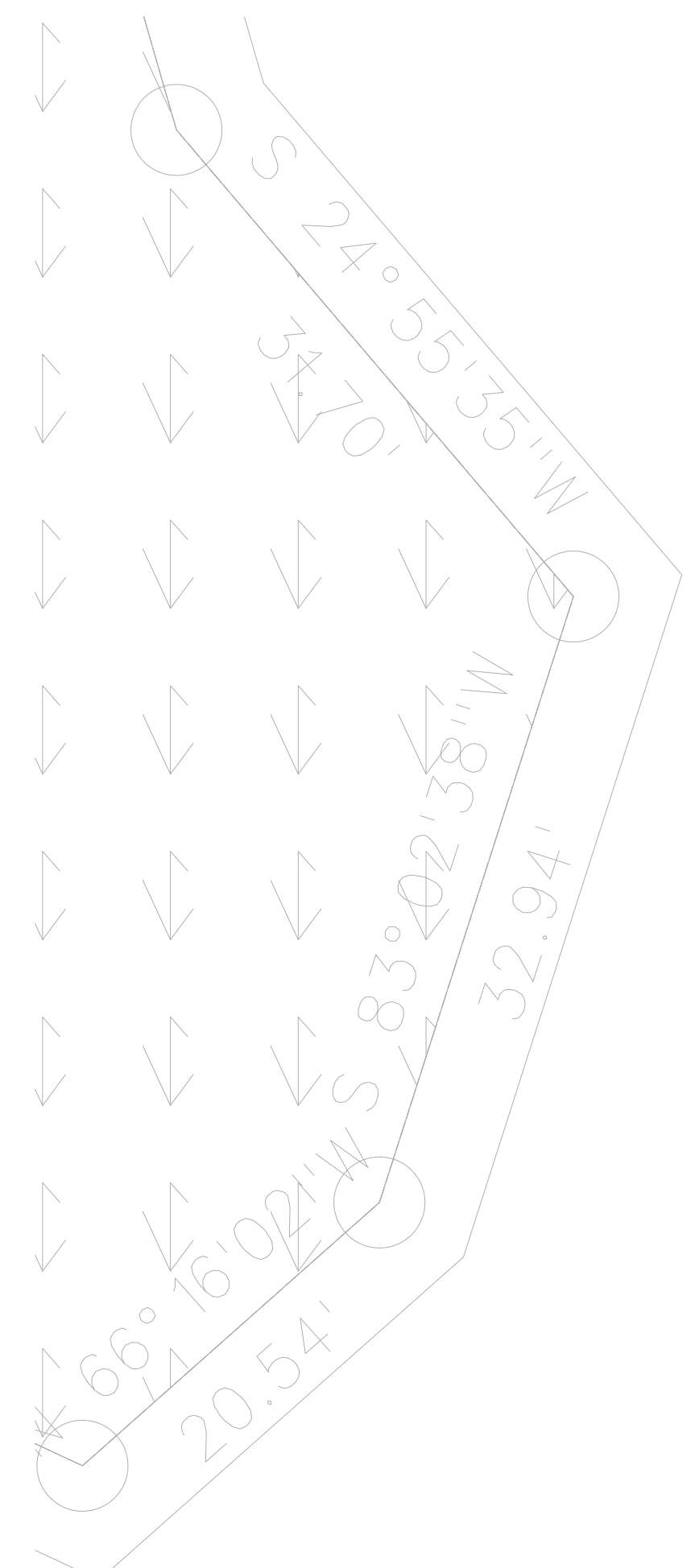
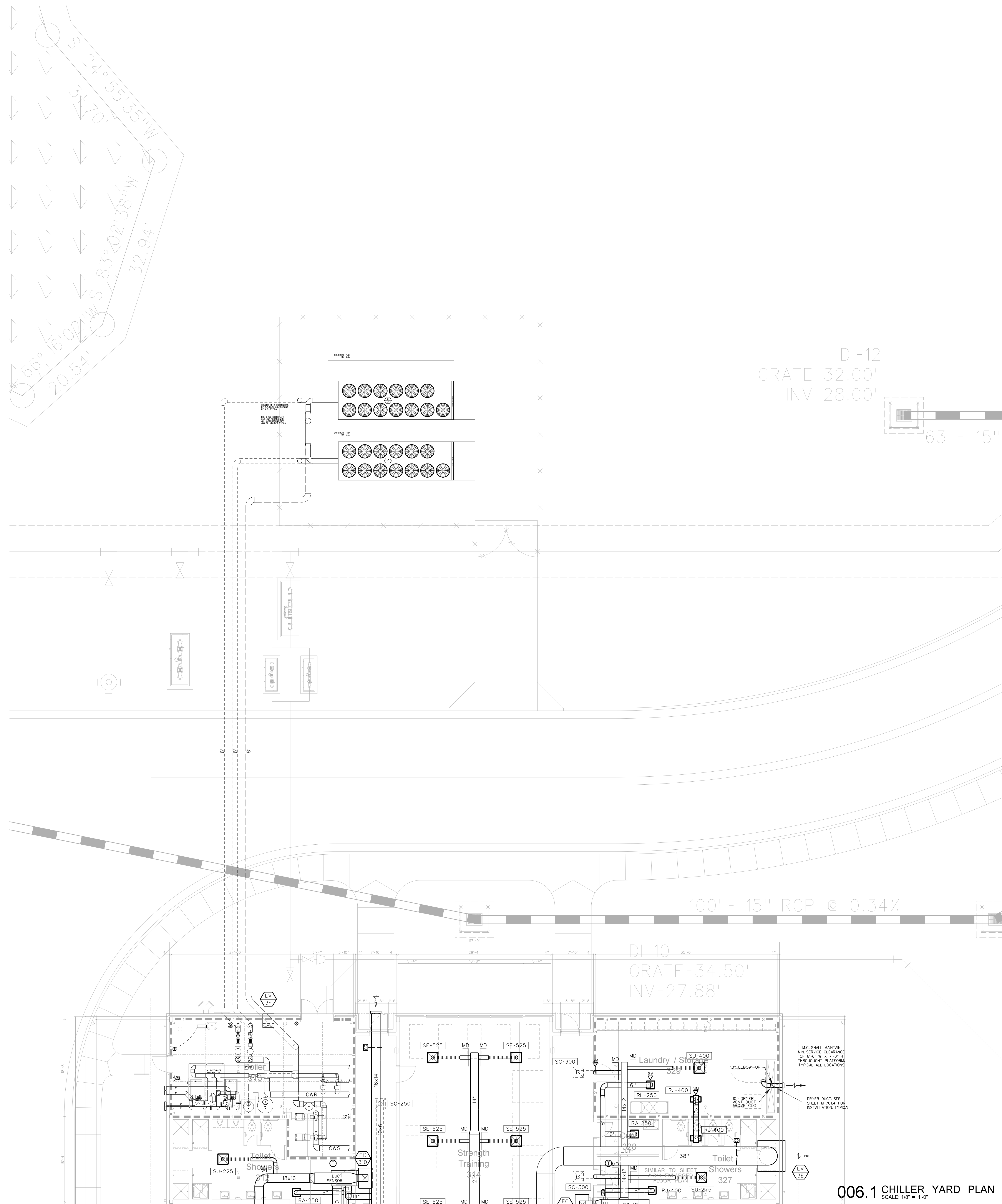


005.1 CLASSROOM UTILITY PLATFORM SECTION; MECHANICAL

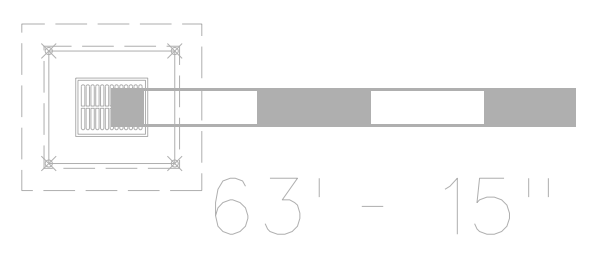
SCALE: 1/8\"/>

FAN COIL EQUIPMENT SCHEDULE

TAG	SYSTEM	ZONE	AIR DATA										COOLING DATA										HEATING DATA										MOTOR DATA			EQUIPMENT DATA		
			CFM	OA	RA	TCL	SC	EATdb	EATwb	LATdb	LATwb	GPM	LWT	conn	PD	HEAT	EAT	LAT	LWT	GPM	conn	PD	ESP	HP	ELECT	DESCRIPTION	MFR./MODEL No.	ROWS	NOTES	WEIGHT								
FC-100	FRONT CORRIDOR	1800	150	1650	50.2	50.2	77.3	59.7	51.5	51.5	7.0	56.4	1/4"	54.6	107.3	64.6	109.3	19.8	7	3/4"	3.2	0.5	3/4	460V/3PH	VERTICAL FAN COIL	485VW-48HWK	6/2	1-9	284									
FC-101	ADMINISTRATION	1800	180	1620	50.1	43.5	77.6	63.4	55.2	54.0	8.0	56.4	1/4"	4.2	96.3	66.7	116.3	147.9	5.0	3/4"	3.1	1.0	3/4	460V/3PH	VERTICAL FAN COIL	485VW-48HWK	6/2	1-9	284									
FC-102	ADMINISTRATION	1800	180	1620	50.1	43.5	77.6	63.4	55.2	54.0	8.0	56.4	1/4"	4.2	96.3	66.7	116.3	147.9	5.0	3/4"	3.1	1.0	3/4	460V/3PH	VERTICAL FAN COIL	485VW-48HWK	6/2	1-9	284									
FC-121	MEDIA	3500	850	2650	151.8	101.8	79.5	66.4	52.6	52.1	28	52.8	1/4"	9.5	243.9	58.1	122.6	109.5	14	1 1/2"	3.3	1.0	2	460V/3PH	VERTICAL FAN COIL	905VW-90HWK	6/2	1-9	520									
FC-122	MEDIA-AUX.	1200	210	990	47.8	32.2	79.4	66.5	54.5	53.6	7	55.7	1"	7.5	83.7	58.2	122.8	112.1	6	3/4"	5.7	1.0	3/4	460V/3PH	VERTICAL FAN COIL	365VW-36HWK	6/2	1-9	244									
FC-128	128	1600	290	1310	54.1	40.5	79.8	66.2	56.4	55.4	7	57.5	1/4"	4.3	107.7	58.2	120.5	109.3	7	3/4"	4.3	1.0	3/4	460V/3PH	VERTICAL FAN COIL	485VW-48HWK	6/2	1-9	284									
FC-131	131	1600	300	1300	58.6	41.3	80.9	67.5	57	56	7	57.5	1/4"	4.3	115.5	58.2	119.8	108.9	7	3/4"	4.3	1.0	3/4	460V/3PH	VERTICAL FAN COIL	485VW-48HWK	6/2	1-9	284									
FC-134	134	2200	200	2000	72.2	55.7	80.6	66.4	57.1	56	9	58.1	1/4"	3.4	135.3	63.1	120.1	109.9	9	1 1/4"	3.4	1.0	1.0	460V/3PH	VERTICAL FAN COIL	605VW-60HWK	6/2	1-9	395									
FC-135	135	2200	70	2130	57.9	53.4	77.2	62.5	54.7	53.5	10	53.6	1/4"	4.2	126.5	68.1	121.4	111.9	9	1 1/4"	3.4	1.0	1.0	460V/3PH	VERTICAL FAN COIL	605VW-60HWK	6/2	1-9	395									
FC-201	CR 201, CORR 200	1600	300	1125	67.2	46.2	80	67	56.2	55.1	9	54.9	1/4"	6.9	126.2	53.5	118.5	108.4	8	3/4"	5.5	1.0	1.0	460V/3PH	VERTICAL FAN COIL	485VW-48HWK	6/2	1-9	284									
FC-202	CR-202	1400	275	1125	58.3	38.7	80	67	54.4	53.6	9	55	1/4"	6.9	104.0	53.5	122.3	110.3	7	3/4"	4.3	1.0	3/4	460V/3PH	VERTICAL FAN COIL	485VW-48HWK	6/2	1-9	284									
FC-203	CR 203	1400	275	1125	58.3	38.7	80	67	54.4	53.6	9	55	1/4"	6.9	104.0	53.5	122.3	110.3	7	3/4"	4.3	1.0	3/4	460V/3PH	VERTICAL FAN COIL	485VW-48HWK	6/2	1-9	284									
FC-204	CR-204, CORR 200	1800	350	1450	67.2	46.2	80	67	56.2	55.1	9	54.9	1/4"	6.9	126.2	53.5	118.5	108.4	8	3/4"	5.5	1.0	1.0	460V/3PH	VERTICAL FAN COIL	485VW-48HWK	6/2	1-9	284									
FC-205	CR-205, CORR 200	1600	300	1125	58.3	38.7	80	67	54.4	53.6	9	55	1/4"	6.9	104.0	53.5	122.3	110.3	7	3/4"	4.3	1.0	3/4	460V/3PH	VERTICAL FAN COIL	485VW-48HWK	6/2	1-9	284									
FC-206	CR-206	1400	275	1125	58.3	38.7	80	67	54.4	53.6	9	55	1/4"	6.9	104.0	53.5	122.3	110.3	7	3/4"	4.3	1.0	3/4	460V/3PH	VERTICAL FAN COIL	485VW-48HWK	6/2	1-9	284									
FC-207	CR-207, SRO-209	1800	350	1450	67.2	46.2	80	67	56.2	55.1	9	54.9	1/4"	6.9	126.2	53.5	118.5	108.4	8	3/4"	5.5	1.0	1.0	460V/3PH	VERTICAL FAN COIL	485VW-48HWK	6/2	1-9	284									
FC-208	CR-208, A.P.-210	1800	350	1450	67.2	46.2	80	67	56.2	55.1	9	54.9	1/4"	6.9	126.2	53.5	118.5	108.4	8	3/4"	5.5	1.0	1.0	460V/3PH	VERTICAL FAN COIL	485VW-48HWK	6/2	1-9	284									
FC-211	FACULTY-211, CORR 200	1600	300	1125	58.3	38.7	80	67	54.4	53.6	9	55	1/4"	6.9	104.0	53.5	122.3	110.3	7	3/4"	4.3	1.0	3/4	460V/3PH	VERTICAL FAN COIL	485VW-48HWK	6/2	1-9	284									
FC-212	CR-212, CORR 200	1800	350	1450	67.2	46.2	80	67	56.2	55.1	9	54.9	1/4"	6.9	126.2	53.5	118.5	108.4	8	3/4"	5.5	1.0	1.0	460V/3PH	VERTICAL FAN COIL	485VW-48HWK	6/2	1-9	284									
FC-217	ART-217	1400	275	1125	58.3	38.7	80	67	54.4	53.6	9	55	1/4"	6.9	104.0	53.5	122.3	110.3	7	3/4"	4.3	1.0	3/4	460V/3PH	VERTICAL FAN COIL	485VW-48HWK	6/2	1-9	284									
FC-218	HEALTH / P.E.-218	1800	350	1450	67.2	46.2	80	67	56.2	55.1	9	54.9	1/4"	6.9	126.2	53.5	118.5	108.4	8	3/4"	5.5	1.0	1.0	460V/3PH	VERTICAL FAN COIL	485VW-48HWK	6/2	1-9	284									
FC-219	CR-219, CORR 200	1800	350	1450	67.2	46.2	80	67	56.2	55.1	9	54.9	1/4"	6.9	126.2	53.5	118.5	108.4	8	3/4"	5.5	1.0	1.0	460V/3PH	VERTICAL FAN COIL	485VW-48HWK	6/2	1-9	284									
FC-220	PHYSICS-220	1800	350	1450	67.2	46.2	80	67	56.2	55.1	9	54.9	1/4"	6.9	126.2	53.5	118.5	108.4	8	3/4"	5.5	1.0	1.0	460V/3PH	VERTICAL FAN COIL	485VW-48HWK	6/2	1-9	284									
FC-221	CR-221	1400	275	1125	58.3	38.7	80	67	54.4	53.6	9	55	1/4"	6.9	104.0	53.5	122.3	110.3	7	3/4"	4.3	1.0	3/4	460V/3PH	VERTICAL FAN COIL	485VW-48HWK	6/2	1-9	284									
FC-224	BIOLOGY-224, PREP-222	1800	350	1450	67.2	46.2	80	67	56.2	55.1	9	54.9	1/4"	6.9	126.2	53.5	118.5	108.4	8	3/4"	5.5	1.0	1.0	460V/3PH	VERTICAL FAN COIL	485VW-48HWK	6/2	1-9	284									
FC-225	CR-225	1400	275	1125	58.3	38.7	80	67	54.4	53.6	9	55	1/4"	6.9	104.0	53.5	122.3	110.3	7	3/4"	4.3	1.0	3/4	460V/3PH	VERTICAL FAN COIL	485VW-48HWK	6/2	1-9	284									
FC-227	CR-227, CORR 200	1600	300	1125	58.3	38.7	80	67	54.4	53.6	9	55	1/4"	6.9	104.0	53.5	122.3	110.3	7	3/4"	4.3	1.0	3/4	460V/3PH	VERTICAL FAN COIL	485VW-48HWK	6/2	1-9	284									
FC-228	COMP. LAB-228, STOR. 226	1800	350	1450	67.2	46.2	80	67	56.2	55.1	9	54.9	1/4"	6.9	126.2	53.5	118.5	108.4	8	3/4"	5.5	1.0	1.0	460V/3PH	VERTICAL FAN COIL	485VW-48HWK	6/2	1-9	284									
FC-229	CR-229	1400	275	1125	58.3	38.7	80	67	54.4	53.6	9	55	1/4"	6.9	104.0	53.5	122.3	110.3	7	3/4"	4.3	1.0	3/4	460V/3PH	VERTICAL FAN COIL	485VW-48HWK	6/2	1-9	284									
FC-230	CR-230, STUD-232	1800	350	1450	67.2	46.2	80	67	56.2	55.1	9	54.9	1/4"	6.9	126.2	53.5	118.5	108.4	8	3/4"	5.5	1.0	1.0	460V/3PH	VERTICAL FAN COIL	485VW-48HWK	6/2	1-9	284									
FC-231	CR-231	1400	275	1125	58.3	38.7	80	67	54.4	53.6	9	55	1/4"	6.9	104.0	53.5	122.3	110.3	7	3/4"	4.3	1.0	3/4	460V/3PH	VERTICAL FAN COIL	485VW-48HWK	6/2	1-9	284									
FC-233	CR-233, CORR 200	1800	350	1450	67.2	46.2	80	67	56.2	55.1	9	54.9	1/4"	6.9	126.2	53.5	118.5	108.4	8	3/4"	5.5	1.0	1.0	460V/3PH	VERTICAL FAN COIL	485VW-48HWK	6/2	1-9	284									
FC-234	CHEMISTRY-204	1800	350	1450	67.2	46.2	80	67	56.2	55.1	9	54.9	1/4"	6.9	126.2	53.5	118.5	108.4	8	3/4"	5.5	1.0	1.0	460V/3PH	VERTICAL FAN COIL	485VW-48HWK	6/2	1-9	284									
FC-235	CR-235	1400	275	1125	58.3	38.7	80	67	54.4	53.6	9	55	1/4"	6.9	104.0	53.5	122.3	110.3	7	3/4"	4.3	1.0	3/4	460V/3PH	VERTICAL FAN COIL	485VW-48HWK	6/2	1-9	284									
FC-238	SCIENCE-238, PREP-236	1800	350	1450	67.2	46.2	80	67	56.2	55.1	9	54.9	1/4"	6.9	126.2	53.5	118.5	108.4	8	3/4"	5.5	1.0	1.0	460V/3PH	VERTICAL FAN COIL	485VW-48HWK	6/2	1-9	284									
FC-239	ART-239, CORR 200	1800	350	1450	67.2	46.2	80	67	56.2	55.1	9	54.9	1/4"	6.9	126.2	53.5	118.5	108.4	8	3/4"	5.5	1.0	1.0	460V/3PH	VERTICAL FAN COIL	485VW-48HWK	6/2	1-9	284									
FC-242	CR-242	1600	300	1125	58.3	38.7	80	67	54.4	53.6	9	55	1/4"	6.9	104.0	53.5	122.3	110.3	7	3/4"	4.3	1.0	3/4	460V/3PH	VERTICAL FAN COIL	485VW-48HWK	6/2	1-9	284									
FC-243	FOODS-243, CORR 200	1800	350	1450	67.2	46.2	80	67	56.2	55.1	9	54.9	1/4"	6.9	126.2	53.5	118.5	108.4	8	3/4"	5.5	1.0	1.0	460V/3PH	VERTICAL FAN COIL	485VW-48HWK	6/2	1-9	284									
FC-246	CR-246, CORR 200	1800	350	1450	67.2	46.2	80	67	56.2	55.1	9	54.9	1/4"	6.9	126.2	53.5	118.5	108.4	8	3/4"	5.5	1.0	1.0	460V/3PH	VERTICAL FAN COIL	485VW-48HWK	6/2	1-9	284									
FC-248	CR-248	1400	275	1125	58.3	38.7	80	67	54.4	53.6	9	55	1/4"	6.9	104.0	53.5	122.3	110.3	7	3/4"	4.3	1.0	3/4	460V/3PH	VERTICAL FAN COIL	485VW-48HWK	6/2	1-9	284									
FC-249	CR-249, CORR 200	1800	350	1450	67.2	46.2	80	67	56.2	55.1	9	54.9	1/4"	6.9	126.2	53.5	118.5	108.4	8	3/4"	5.5	1.0	1.0															



DI-12
 GRATE=32.00'
 INV=28.00'



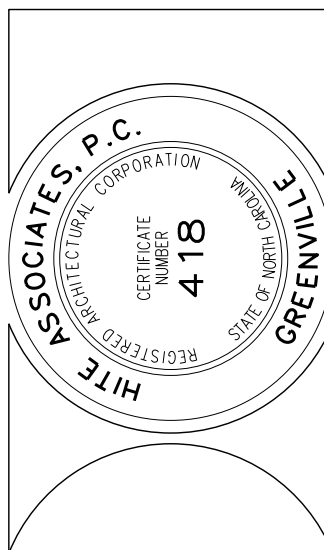
100' - 15" RCP @ 0.34%

DI-10
 GRATE=34.50'
 INV=27.88'

006.1 CHILLER YARD PLAN
 SCALE: 1/8" = 1'-0"

No.	Date	Revision

Hite associates
 ARCHITECTURE / ENGINEERING / TECHNOLOGY
 2600 Meridian Drive / Greenville, NC 27834 / tel (252) 757-0333

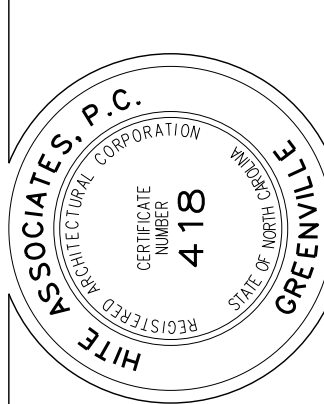


RECORD DRAWING
RECORD DRAWING
 Bertie High School
 Bertie County Schools
 716 US 13 North / NCDPS Unit 080 - School 312
 Windsor / Bertie County / North Carolina

Project No. 21131
 Date: 28 March 2012
 Drawing no. **M 006**

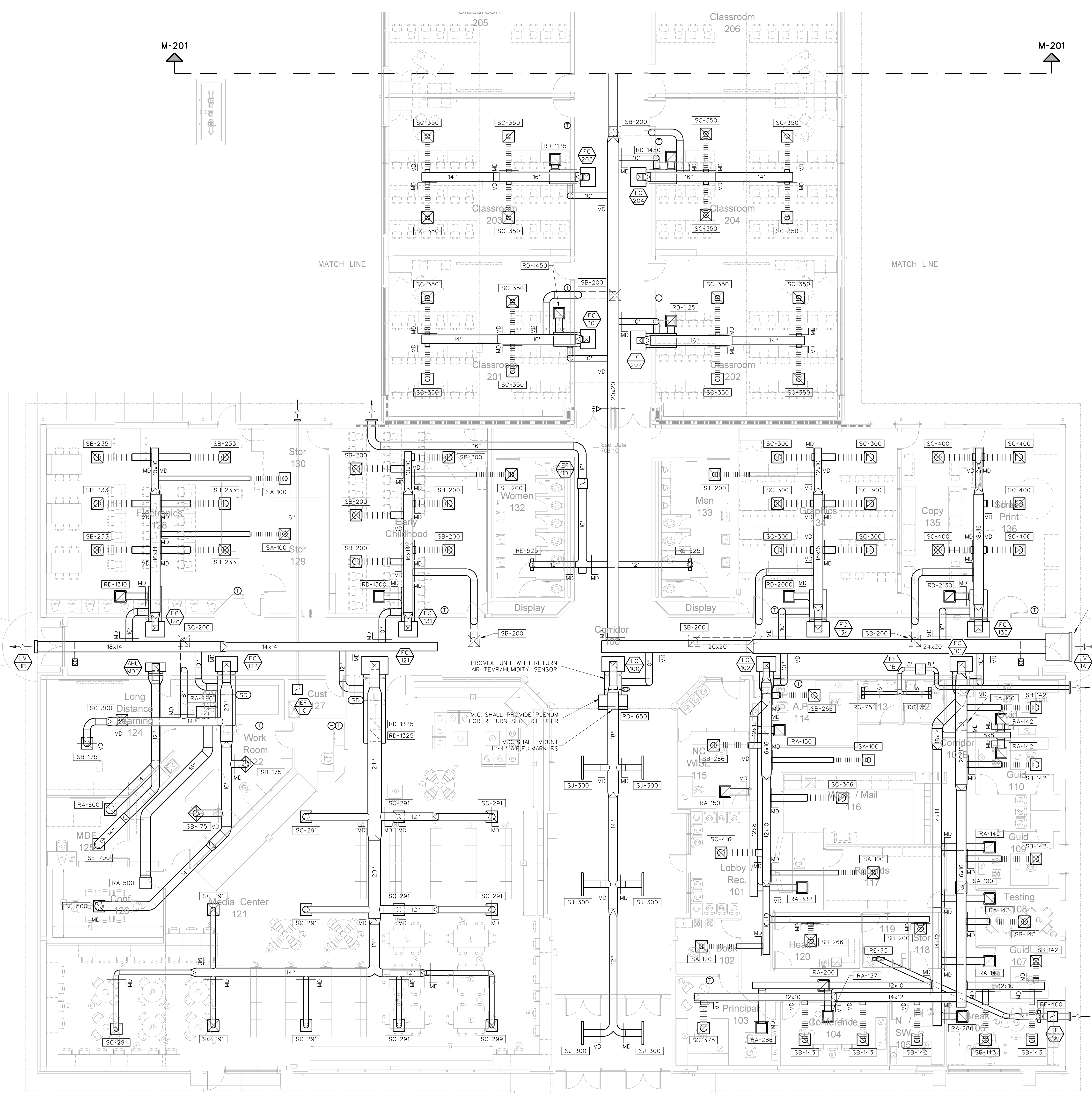
No.	Date	Revision

Hite associates
 ARCHITECTURE / ENGINEERING / TECHNOLOGY
 2600 Meridian Drive / Greenville, NC 27834 / tel (252) 757-0333



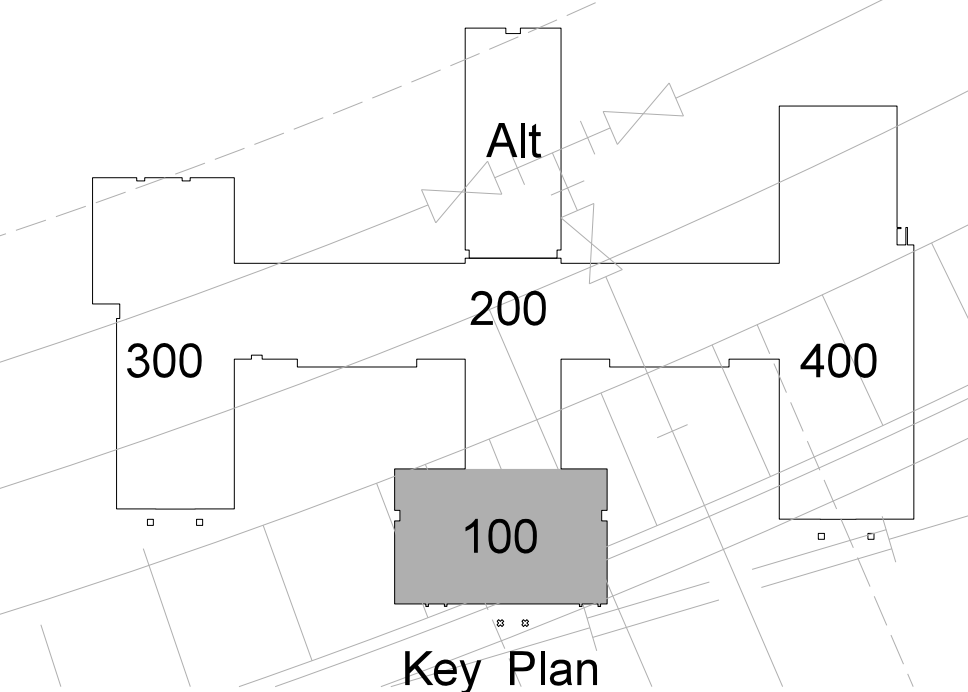
RECORD DRAWING
RECORD DRAWING
 Bertie High School
 Bertie County Schools
 716 US 13 North / NCDPS Unit 080 - School 312
 Windsor / Bertie County / North Carolina

Project No. 21131
 Date: 28 March 2012
 Drawing No. **M 101**

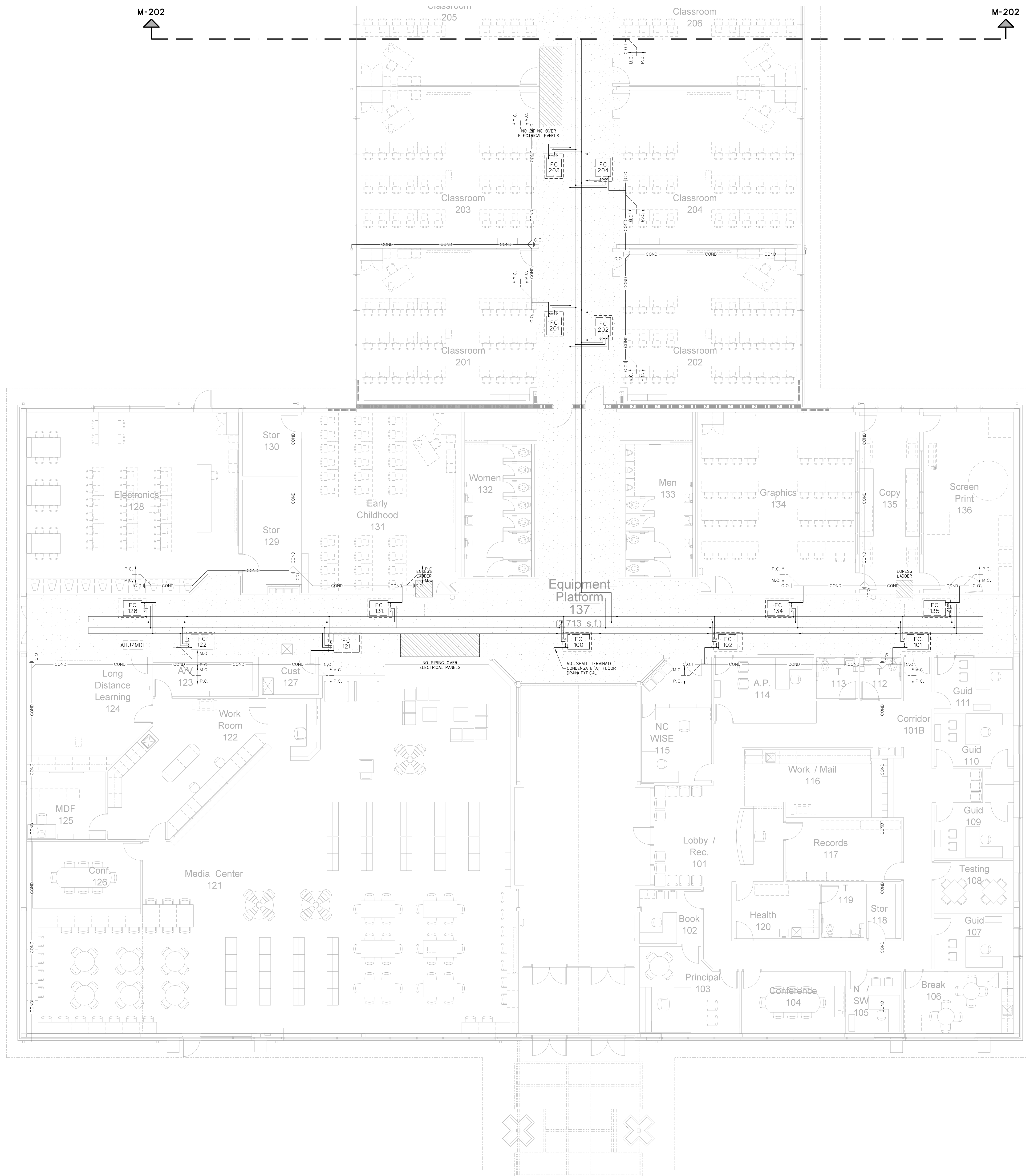


"WALLS ARE PATTERNED BRICK - COORDINATE EXACT LOUVER LOCATIONS WITH G.C. BEFORE BLOCKING OUT MASONRY." TYPICAL THROUGHOUT.

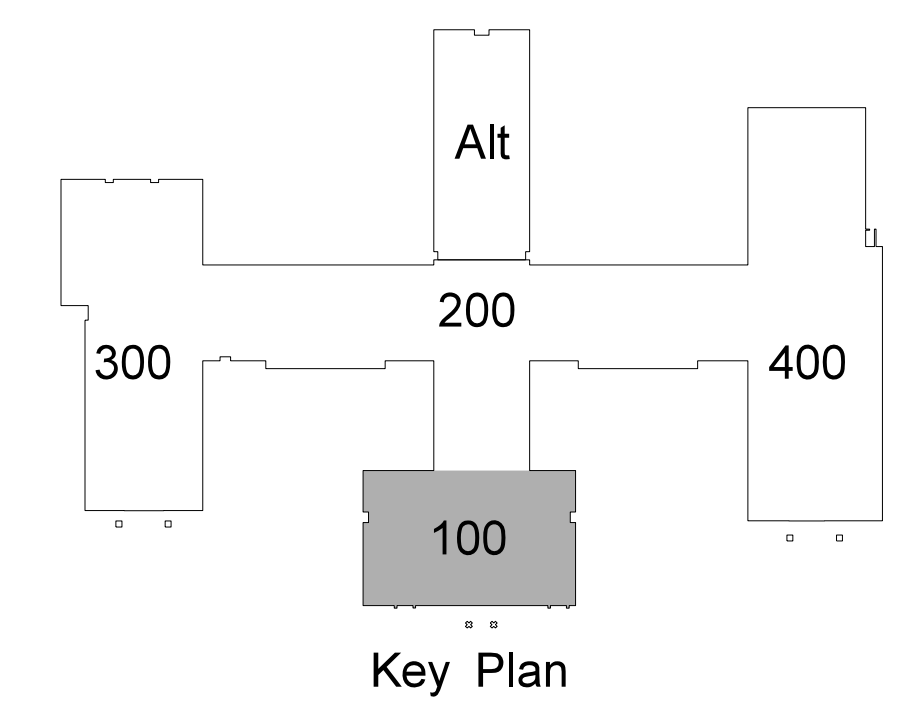
101.1 ADMINISTRATION / MEDIA CENTER PIPING PLAN
 SCALE: 1/8" = 1'-0"



224' - 8" PVC

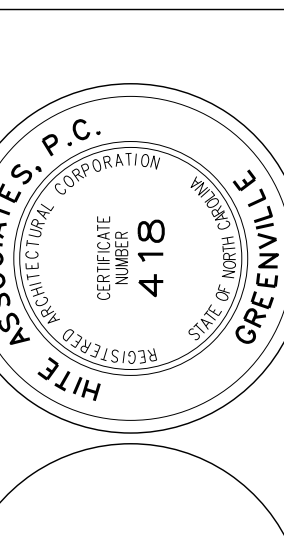


102.1 ADMINISTRATION / MEDIA CENTER EQUIPMENT PLATFORM PIPING PLAN
SCALE: 1/8" = 1'-0"



No.	Date	Revision

Hite associates
 ARCHITECTURE / ENGINEERING / TECHNOLOGY
 2600 Meridian Drive / Greenville, NC 27834 / tel (252) 757-0333



RECORD DRAWING
New Bertie High School
 Bertie County Schools
 716 US 13 North / NCDPS Unit 080 - School 312
 Windsor / Bertie County / North Carolina

Project No. 21131
 Date: 28 March 2012
 Drawing no. **M 102**

SEE SHEET 111 FOR ENLARGED FLOOR PLAN

SEE SHEET 311 FOR ENLARGED FLOOR PLAN

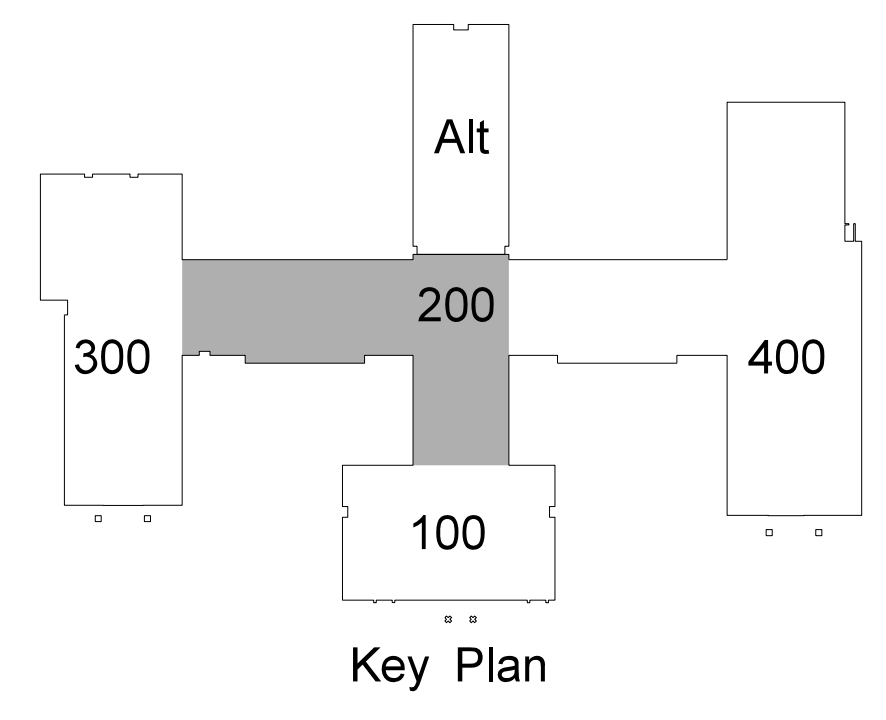
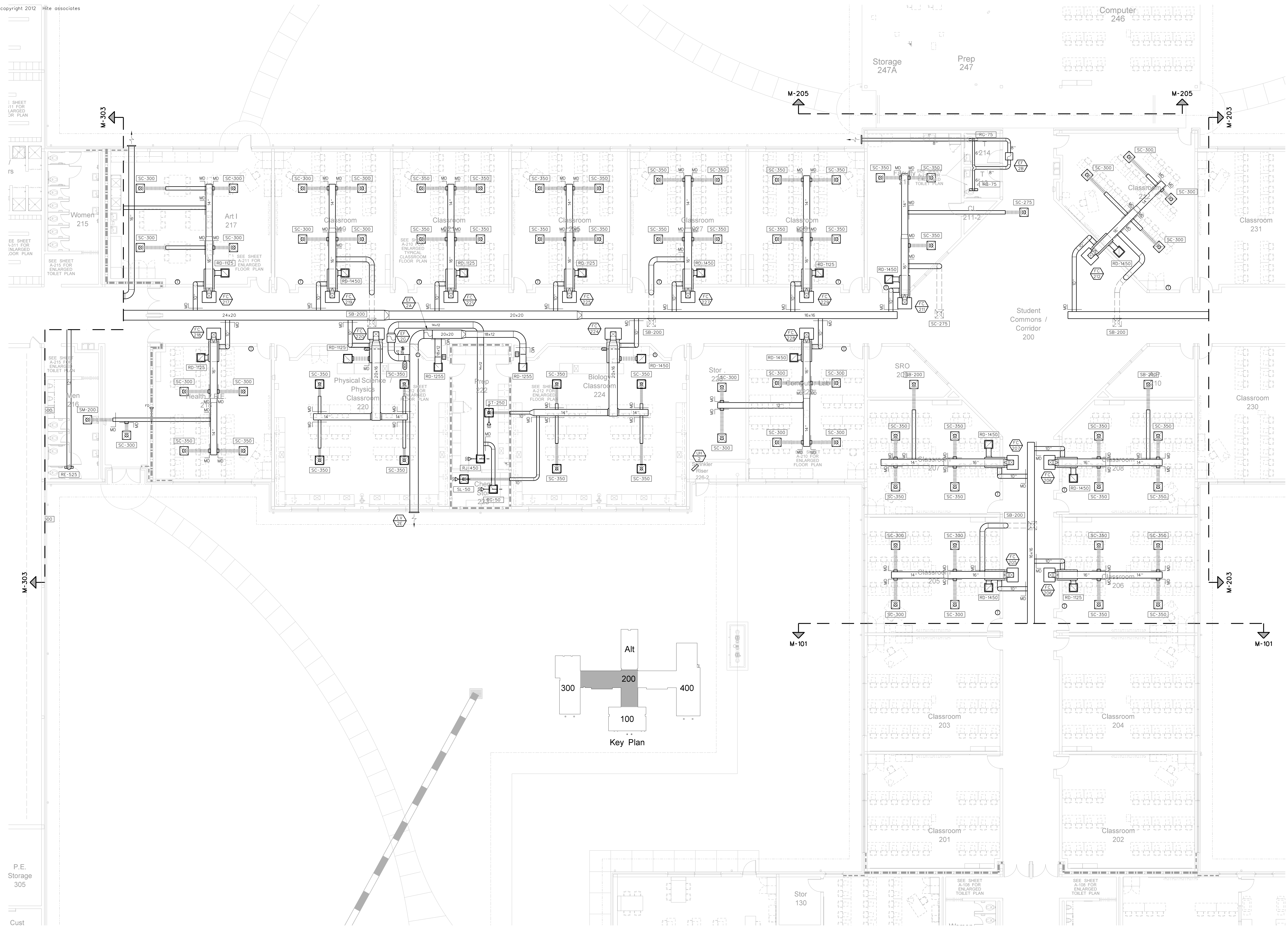
SEE SHEET A-216 FOR ENLARGED TOILET PLAN

SEE SHEET A-216 FOR ENLARGED TOILET PLAN

M-303

P.E. Storage 305

Cust

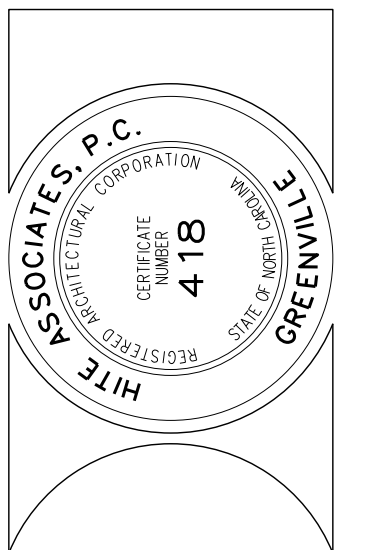


201.1 CLASSROOM WING HVAC FLOOR PLAN

SCALE: 1/8" = 1'-0"

No.	Date	Revision

Hite associates
 ARCHITECTURE / ENGINEERING / TECHNOLOGY
 2600 Meridian Drive / Greenville, NC 27834 / tel (252) 757-0333



RECORD DRAWING
New Bertie High School
 Bertie County Schools
 716 US 13 North / NCDPS Unit 080 - School 312
 Windsor / Bertie County / North Carolina

Project No. 21131
 Date: 28 March 2012
 Drawing no. **M 201**

SEE SHEET 1-11 FOR ENLARGED FLOOR PLAN

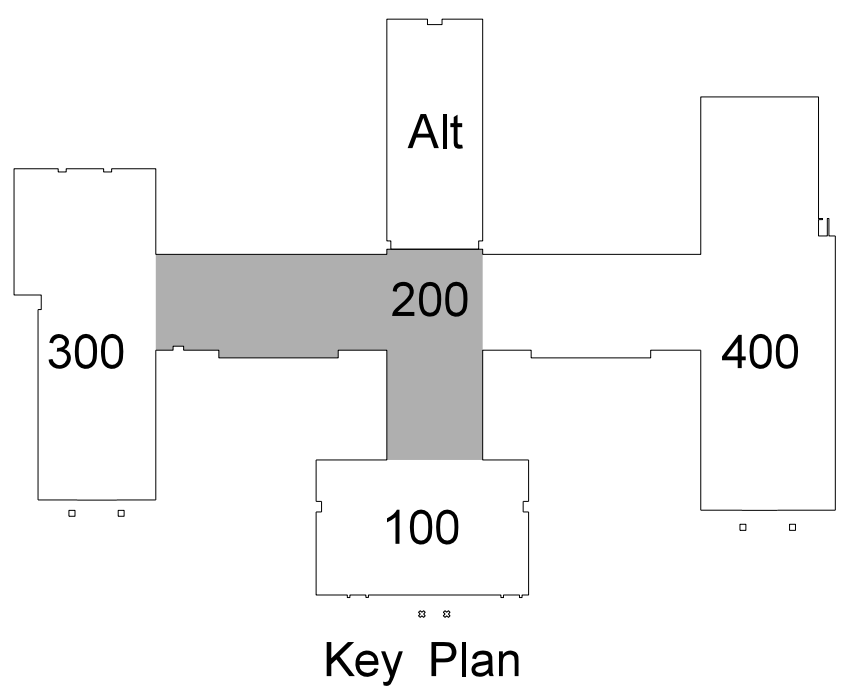
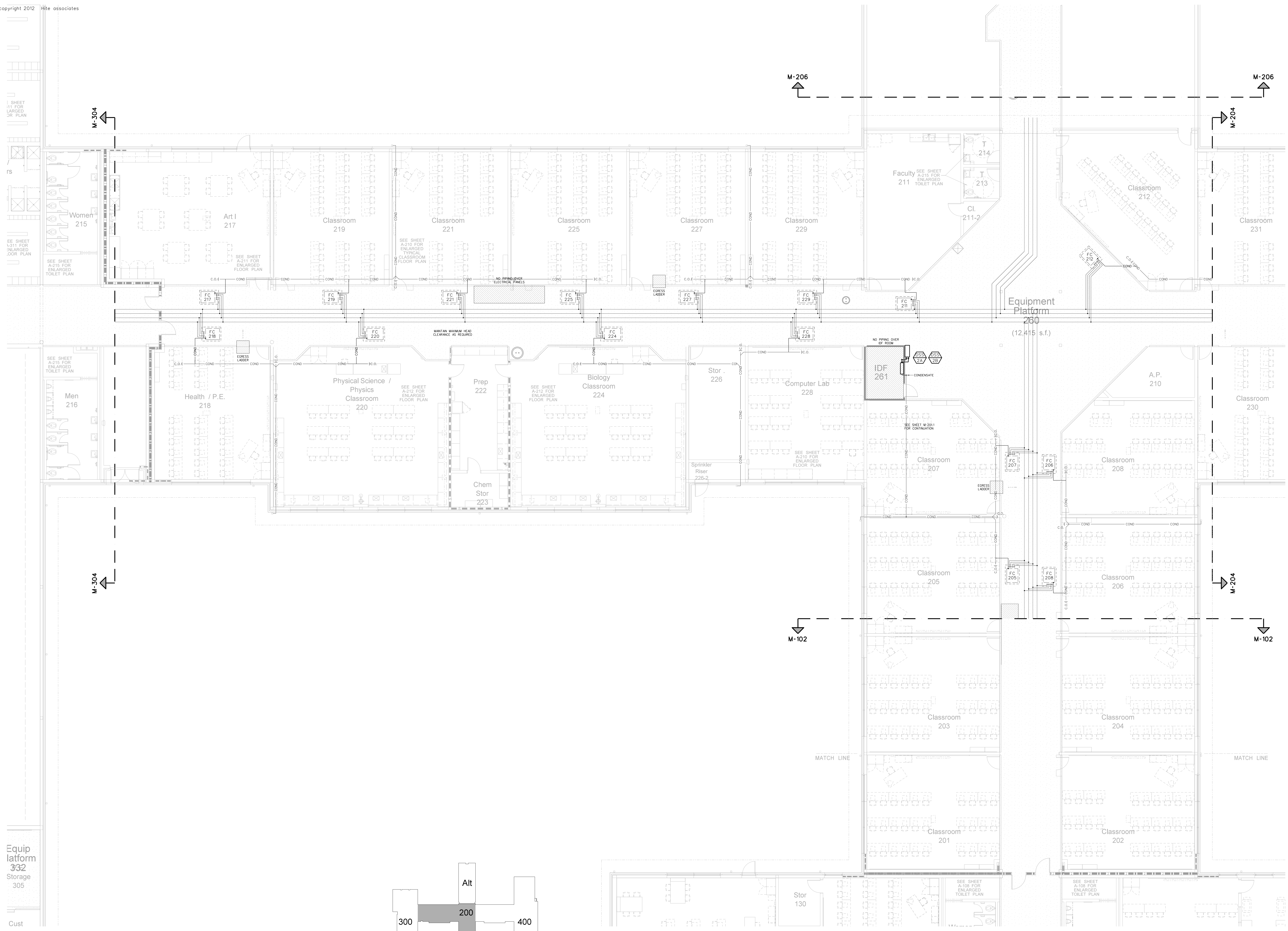
SEE SHEET 3-111 FOR ENLARGED FLOOR PLAN

SEE SHEET A-216 FOR ENLARGED TOILET PLAN

SEE SHEET A-216 FOR ENLARGED TOILET PLAN

Cust

Equip platform 332
Storage 305

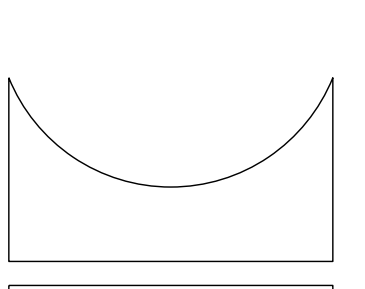
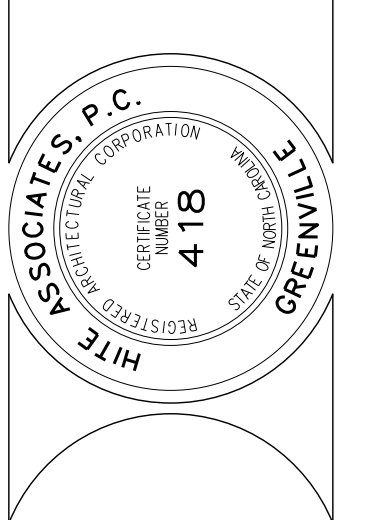


Key Plan

202.1 CLASSROOM WING EQUIPMENT PLATFORM MECHANICAL PIPING PLAN
SCALE: 1/8" = 1'-0"

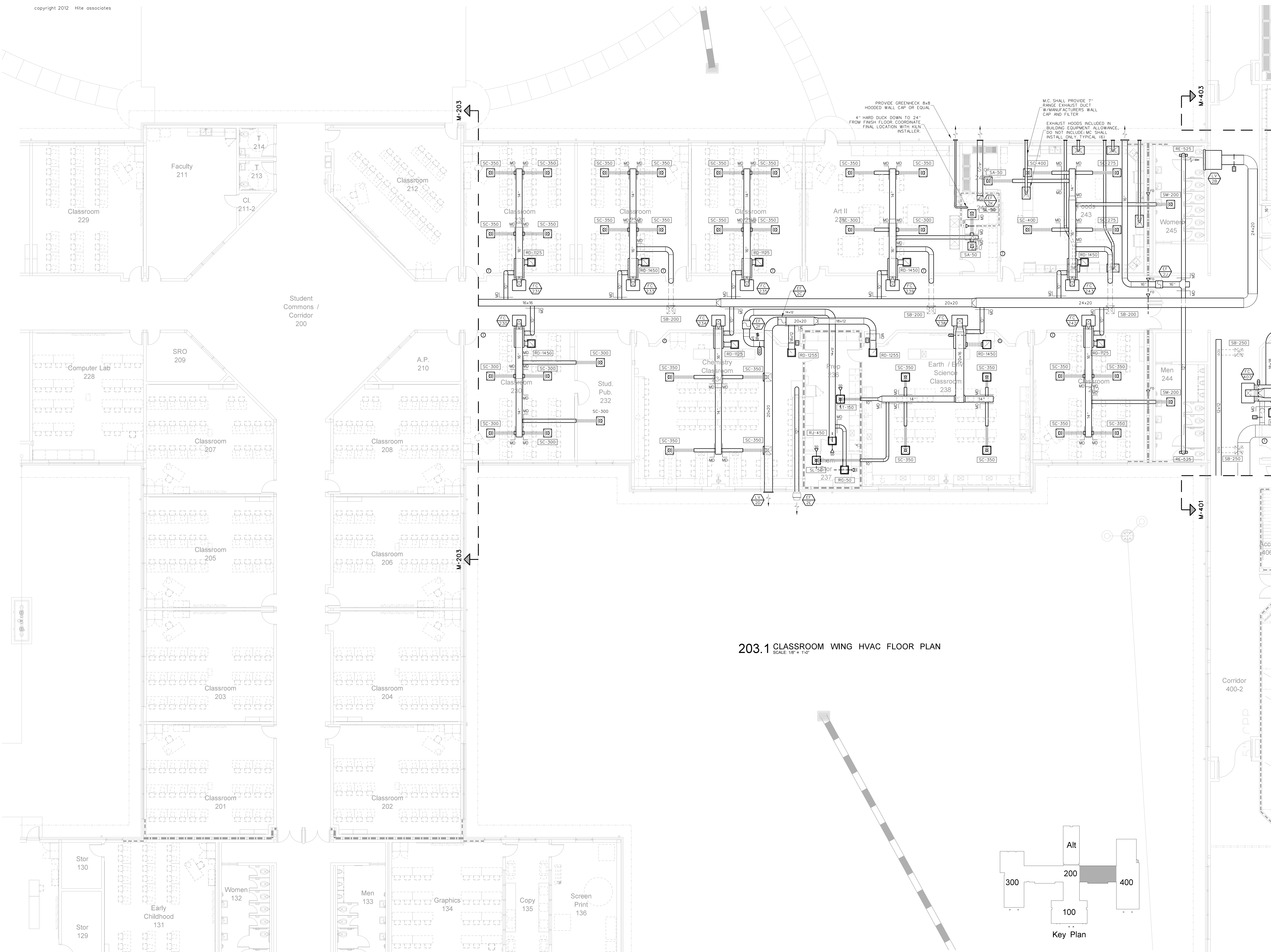
No.	Date	Revision

Hite associates
 ARCHITECTURE / ENGINEERING / TECHNOLOGY
 2600 Meridian Drive / Greenville, NC 27834 / tel (252) 757-0333



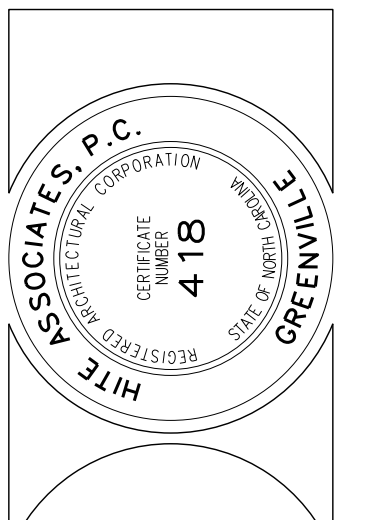
RECORD DRAWING
New Bertie High School
 Bertie County Schools
 716 US 13 North / NCDPS Unit 080 - School 312
 Windsor / Bertie County / North Carolina

Project No. 21131
 Date: 28 March 2012
 Drawing no. **M 202**



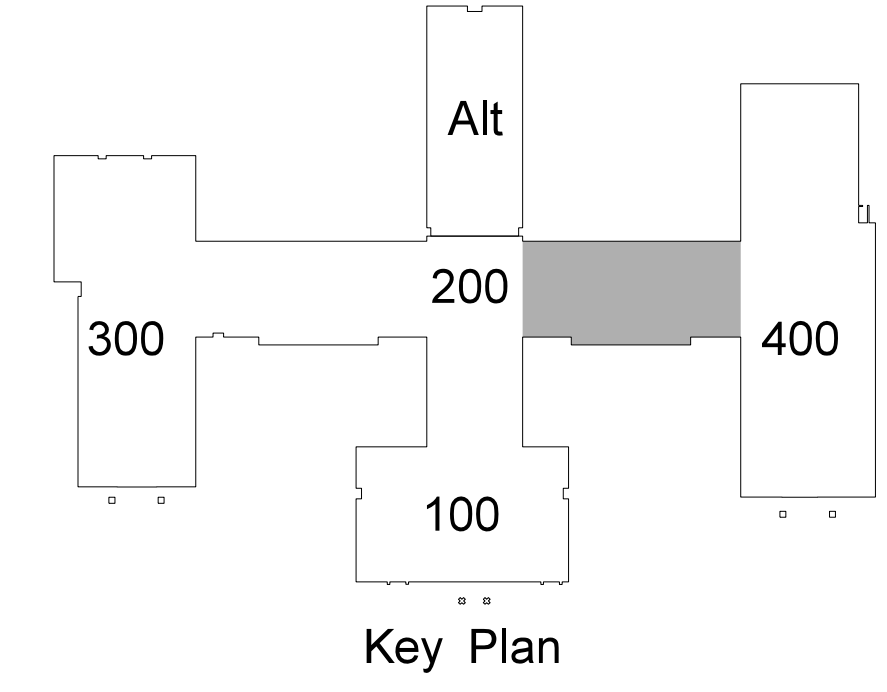
No.	Date	Revision

Hite associates
ARCHITECTURE / ENGINEERING / TECHNOLOGY
2600 Meridian Drive / Greenville, NC 27834 / Tel: (252) 757-0333

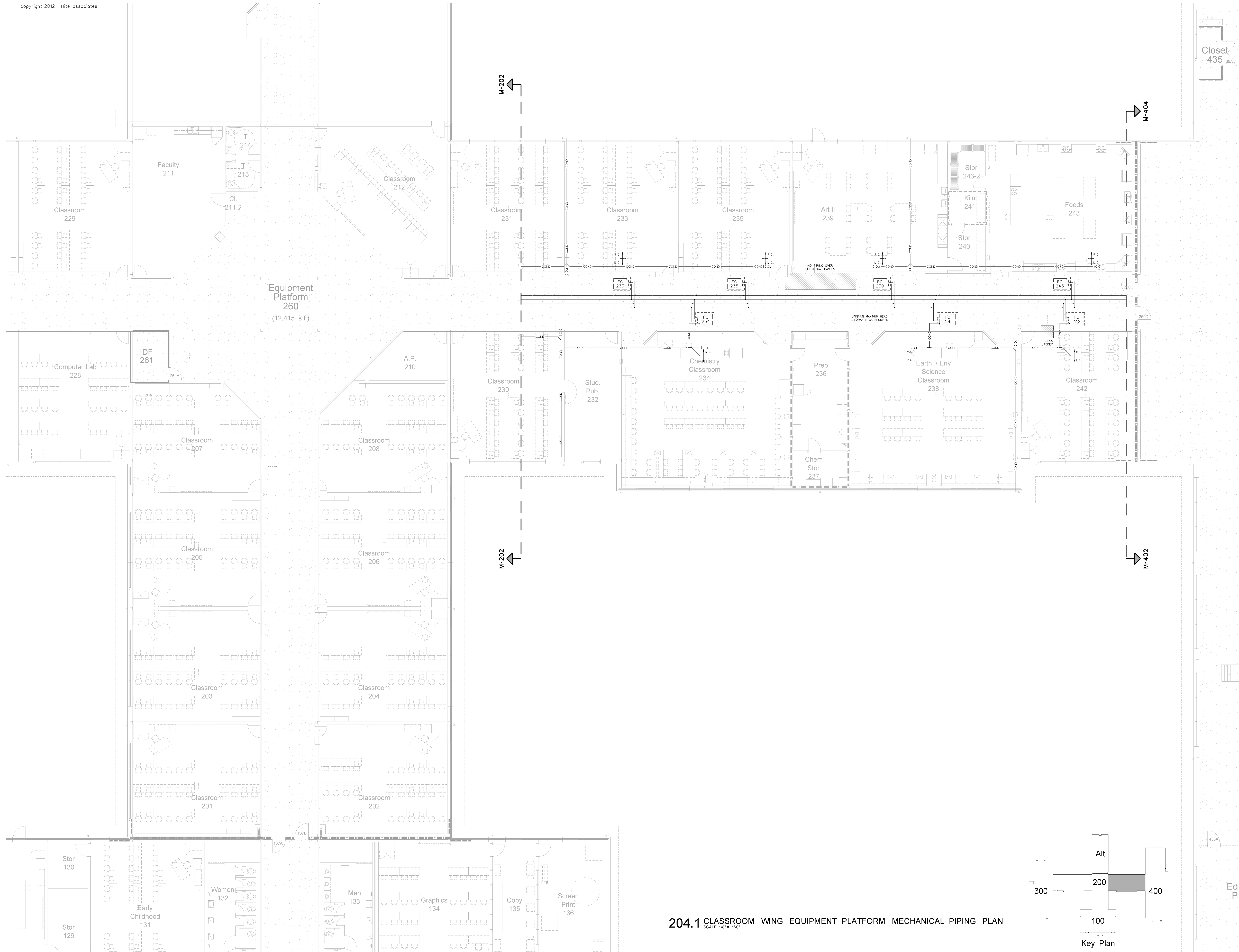


RECORD DRAWING
Bertie High School
Bertie County Schools
716 US 13 North / NCDPS Unit 080 - School 312
Windsor / Bertie County / North Carolina

Project No. 21131
Date: 28 March 2012
Drawing No. **M 203**

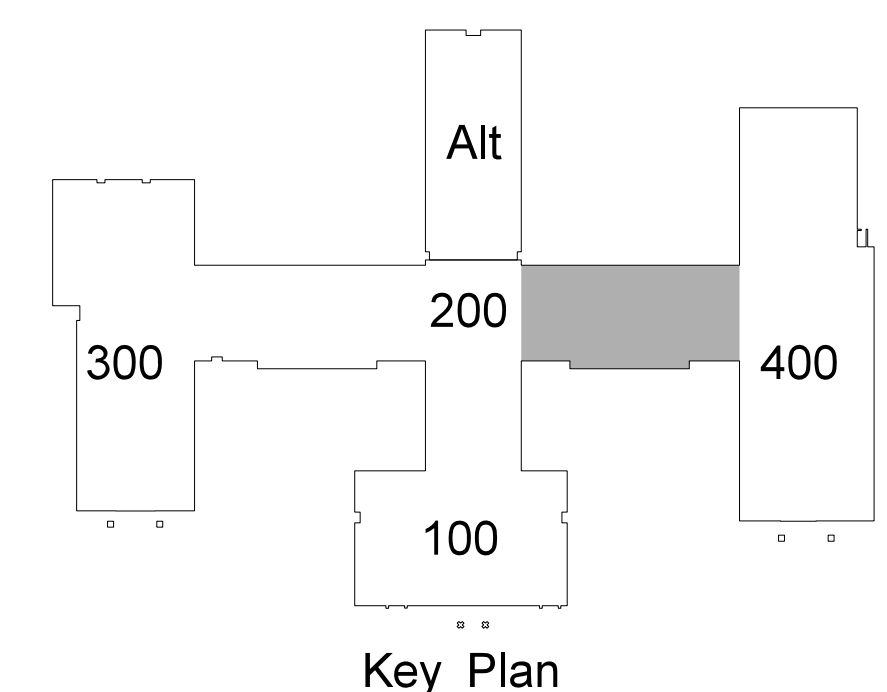


Corridor 400-2



Equipment Platform 260
(12,415 s.f.)

204.1 CLASSROOM WING EQUIPMENT PLATFORM MECHANICAL PIPING PLAN
SCALE: 1/8" = 1'-0"



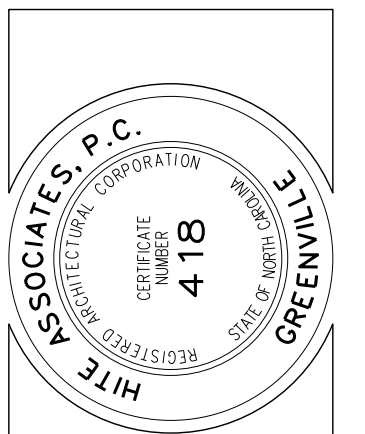
Key Plan

Cl. 435

Equipme Platform 433

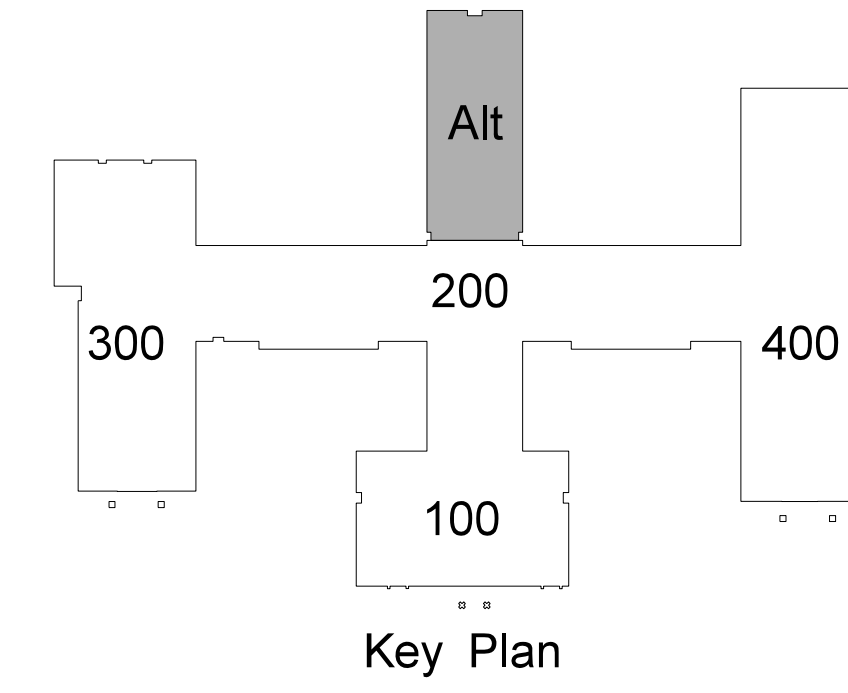
No.	Date	Revision

Hite associates
ARCHITECTURE / ENGINEERING / TECHNOLOGY
2600 Meridian Drive / Greenville, NC 27834 / tel (252) 757-0333

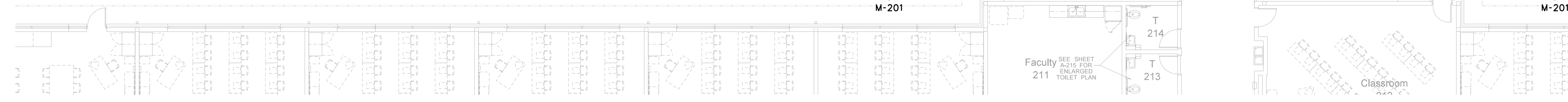
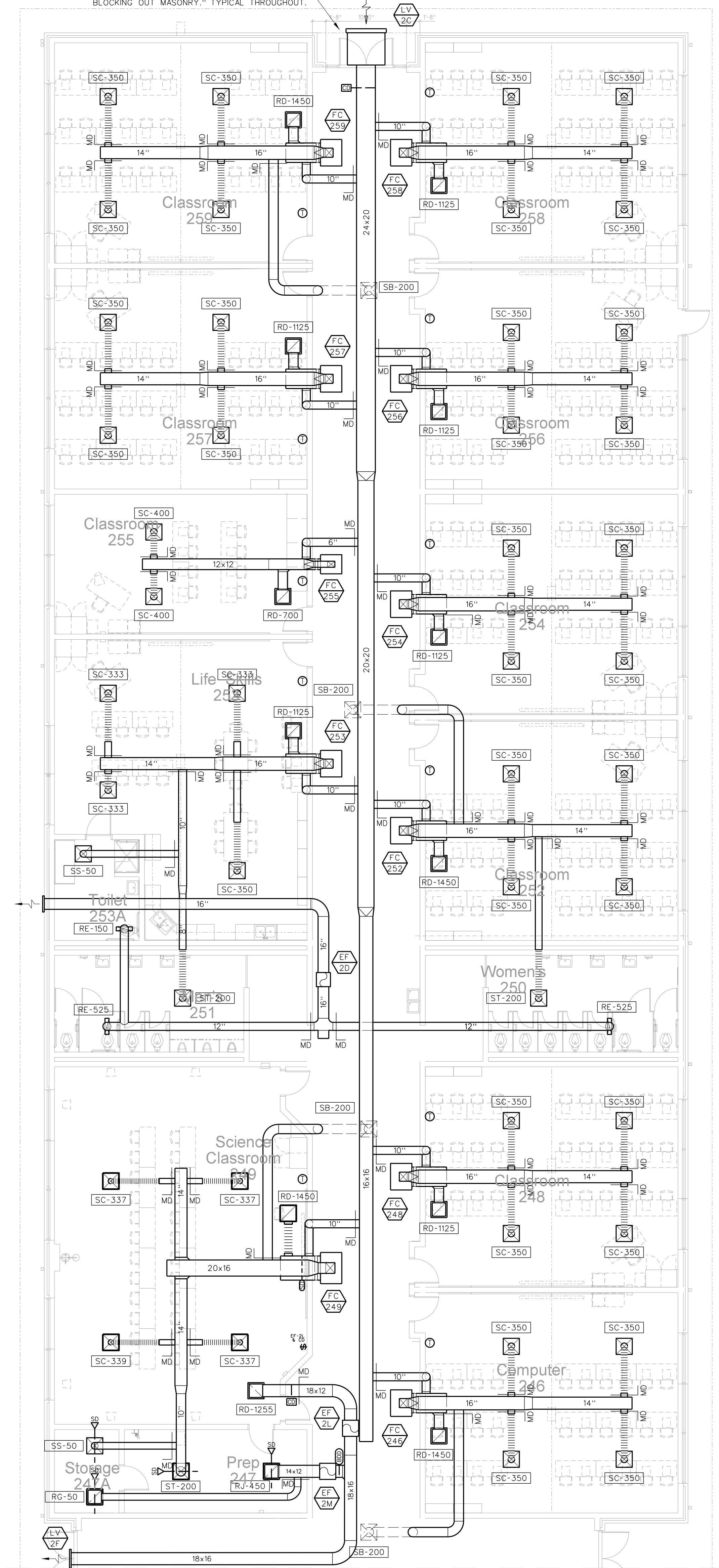


RECORD DRAWING
New Bertie High School
Bertie County Schools
716 US 13 North / NCDPS Unit 080 - School 312
Windsor / Bertie County / North Carolina

Project No. 21131
Date: 28 March 2012
Drawing no. **M 204**



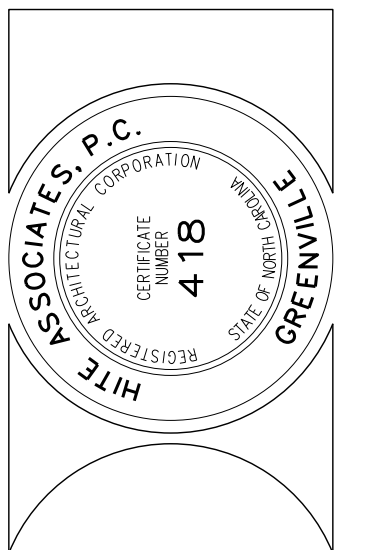
"WALLS ARE PATTERNED BRICK - COORDINATE EXACT LOUVER LOCATIONS WITH G.C. BEFORE BLOCKING OUT MASONRY." TYPICAL THROUGHOUT.



205.1 ALTERNATE CLASSROOM WING HVAC FLOOR PLAN
SCALE: 1/8" = 1'-0"

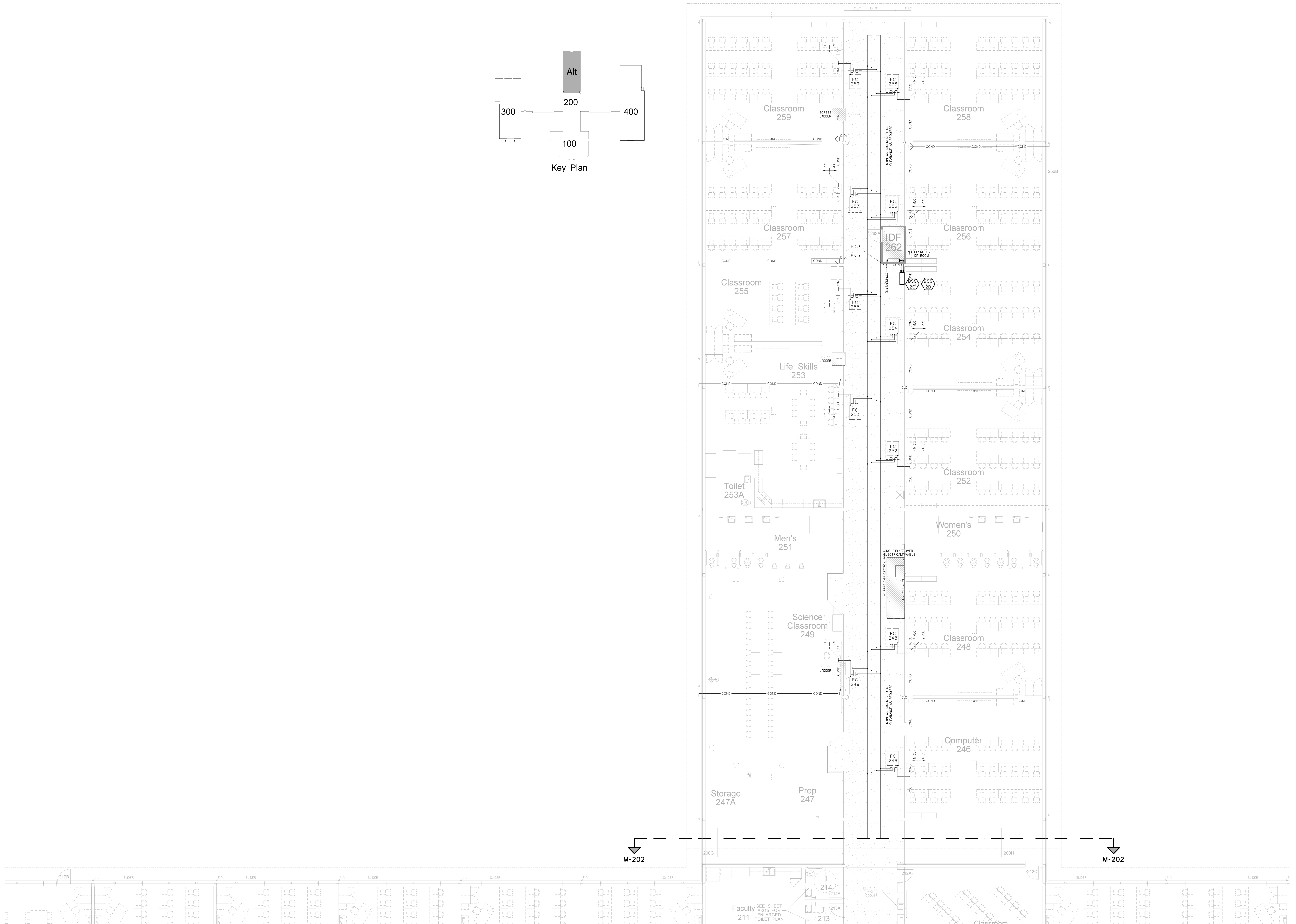
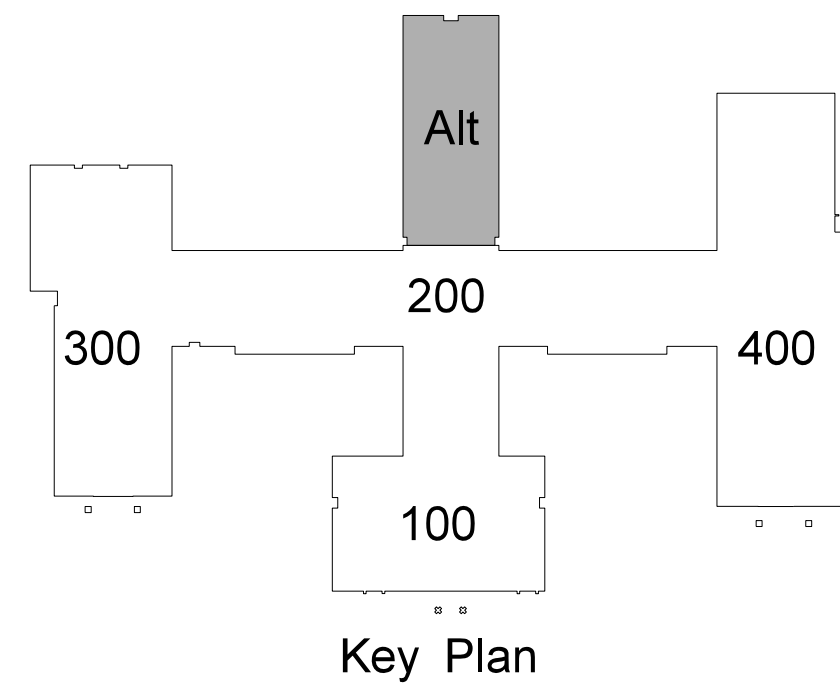
No.	Date	Revision

Hite associates
ARCHITECTURE / ENGINEERING / TECHNOLOGY
2600 Meridian Drive / Greenville, NC 27834 / tel (252) 757-0333



RECORD DRAWING
RECORD DRAWING
Bertie High School
 Bertie County Schools
 716 US 13 North / NCDPS Unit 080 - School 312
 Windsor / Bertie County / North Carolina

Project No.	21131
Date:	28 March 2012
Drawing no.	M 205

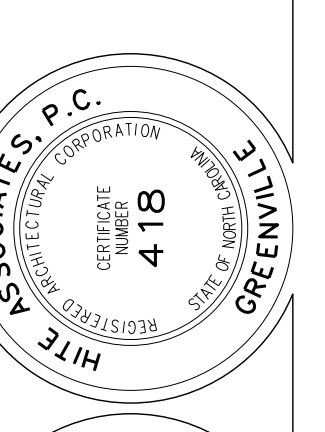


ALTER 206 CLASSROOM WING EQUIPMENT PLATFORM MECHANICAL PIPING PLAN

SCALE: 1/8" = 1'-0"

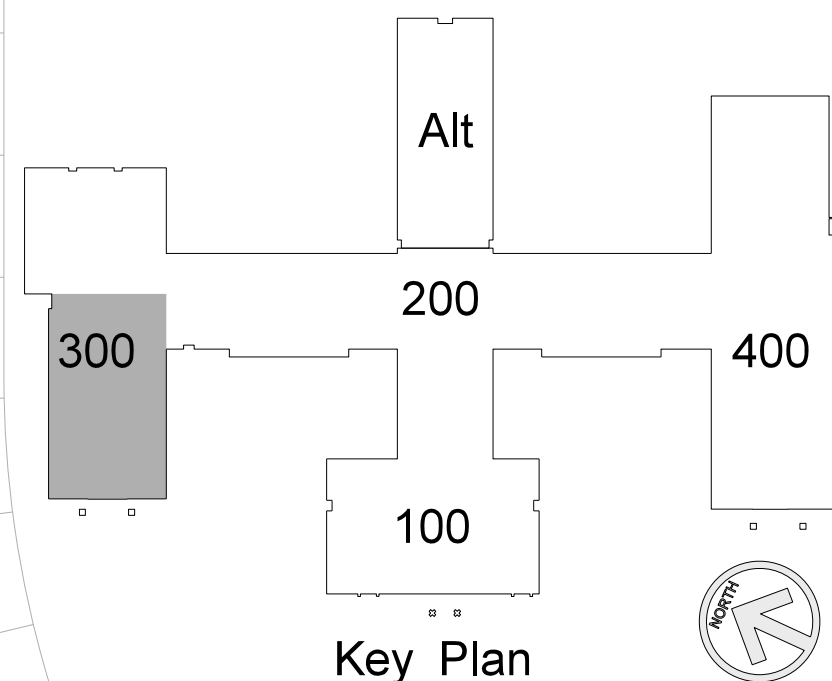
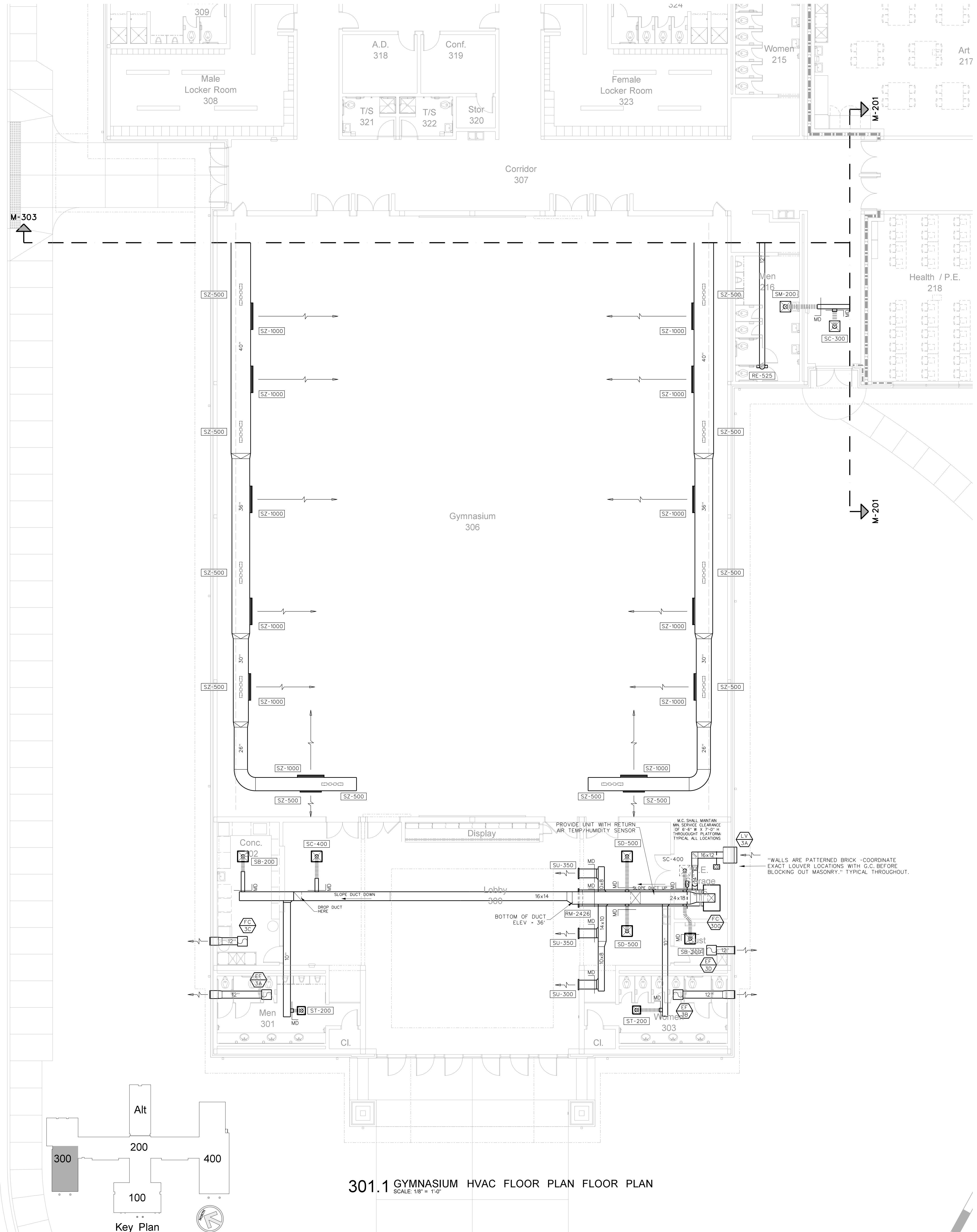
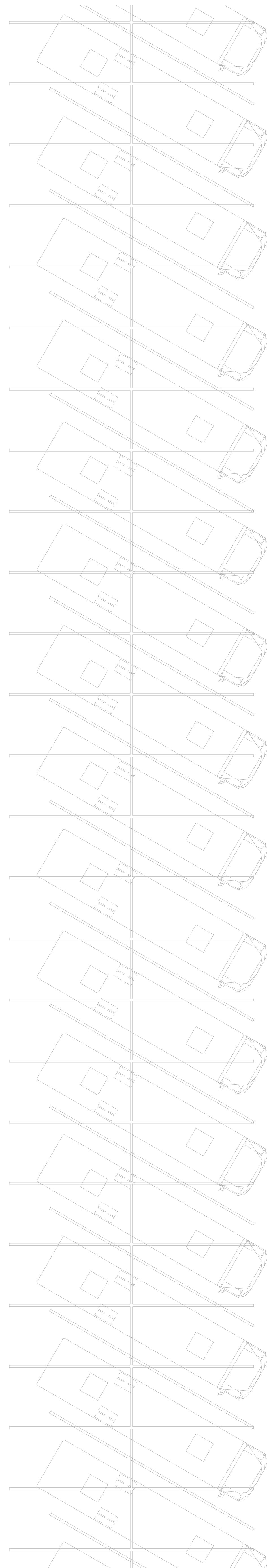
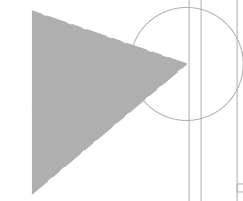
No.	Date	Revision

Hite associates
 ARCHITECTURE / ENGINEERING / TECHNOLOGY
 2600 Meridian Drive / Greenville, NC 27834 / tel (252) 757-0333



RECORD DRAWING
New Bertie High School
 Bertie County Schools
 716 US 13 North / NCDPS Unit 080 - School 312
 Windsor / Bertie County / North Carolina

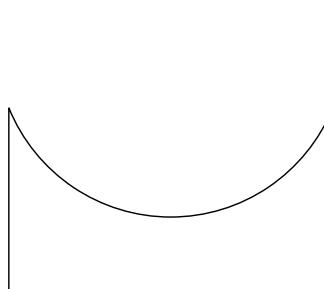
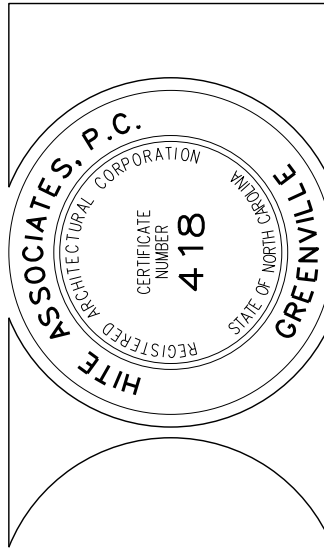
Project No.	21131
Date:	28 March 2012
Drawing no.	M 206



301.1 GYMNASIUM HVAC FLOOR PLAN FLOOR PLAN
SCALE: 1/8" = 1'-0"

No.	Date	Revision

Hite associates
ARCHITECTURE / ENGINEERING / TECHNOLOGY
2600 Meridian Drive / Greenville, NC 27834 / tel (252) 757-0333



RECORD DRAWING
Bertie High School
Bertie County Schools
716 US 13 North / NCDPS Unit 080 - School 312
Windsor / Bertie County / North Carolina

Project No. 21131
Date: 28 March 2012
Drawing no. **M 301**

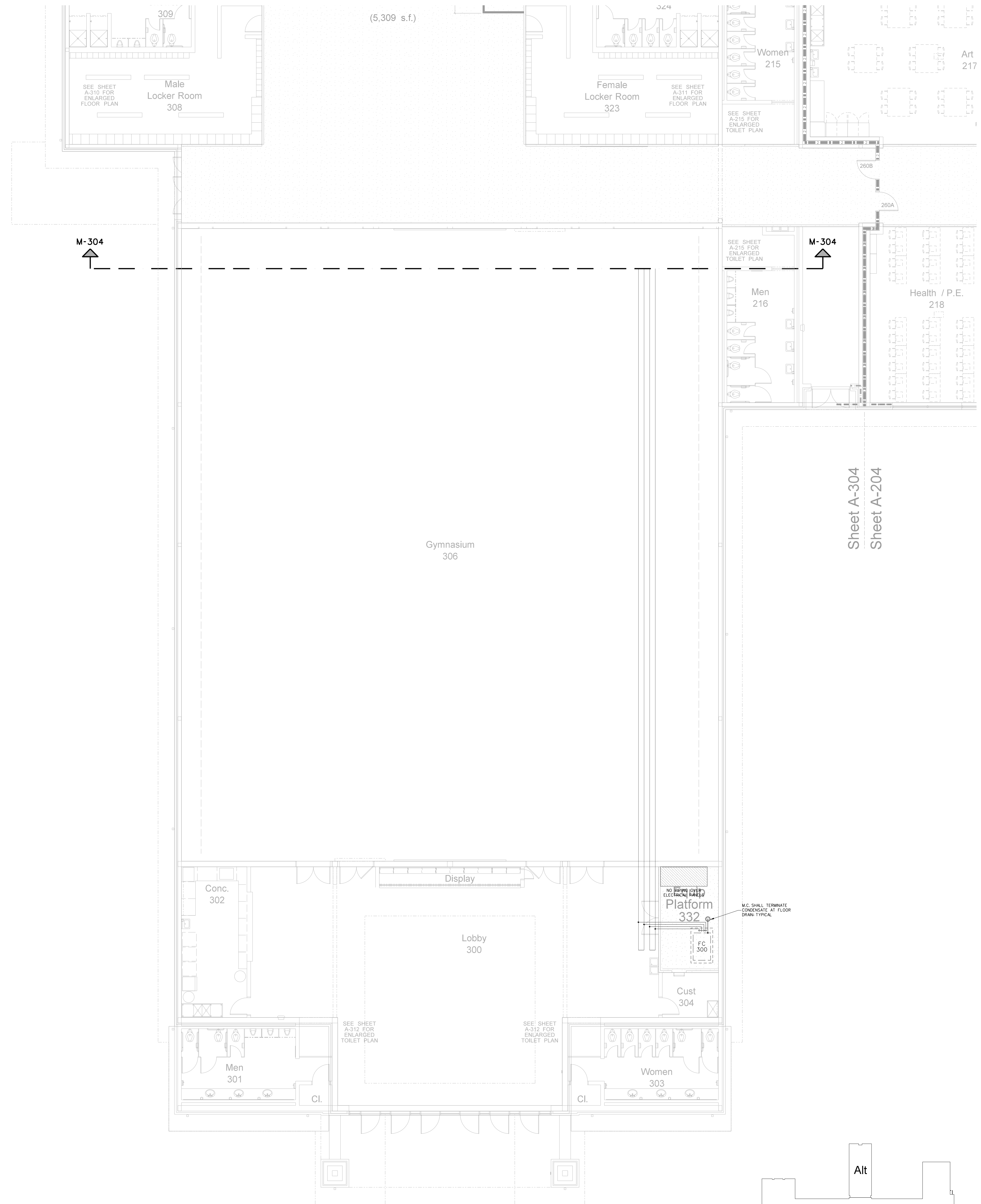
"WALLS ARE PATTERNED BRICK - COORDINATE EXACT LOUVER LOCATIONS WITH G.C. BEFORE BLOCKING OUT MASONRY." TYPICAL THROUGHOUT.

PROVIDE UNIT WITH RETURN AIR TEMP/HUMIDITY SENSOR
M.C. SHALL MAINTAIN MIN. SERVICE CLEARANCE OF 6'-0" @ 4'-7-0" THROUGHOUT PLATFORMS TYPICAL ALL LOCATIONS

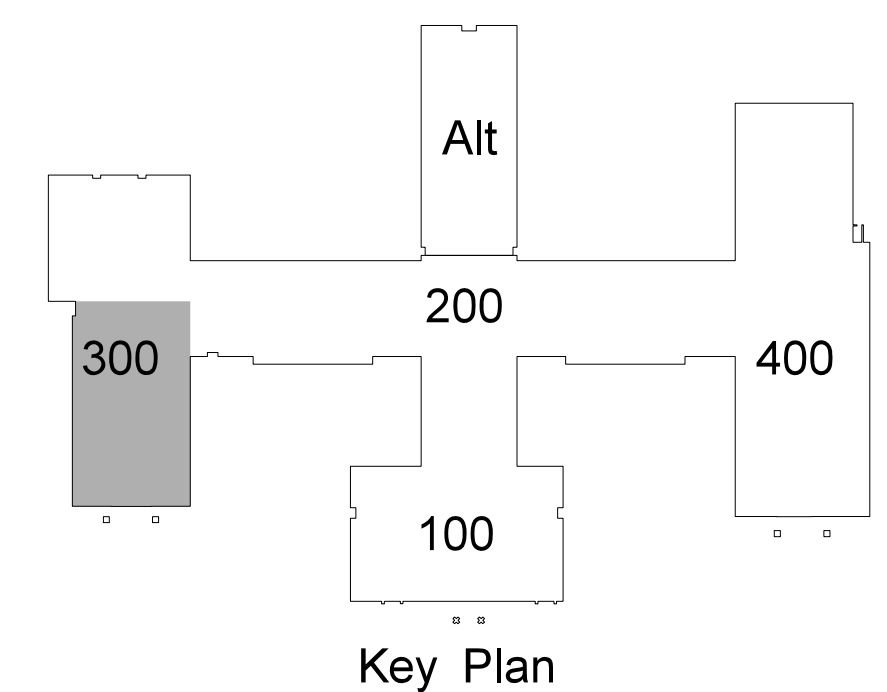
BOTTOM OF DUCT ELEV. + 36"

DRIP DUCT HERE

DRIP DUCT DOWN

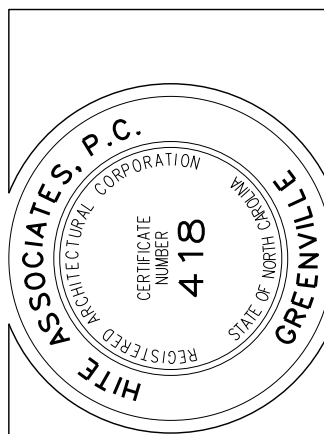


302.1 GYMNASIUM EQUIPMENT PLATFORM MECHANICAL PIPING PLAN
SCALE: 1/8" = 1'-0"



No.	Date	Revision

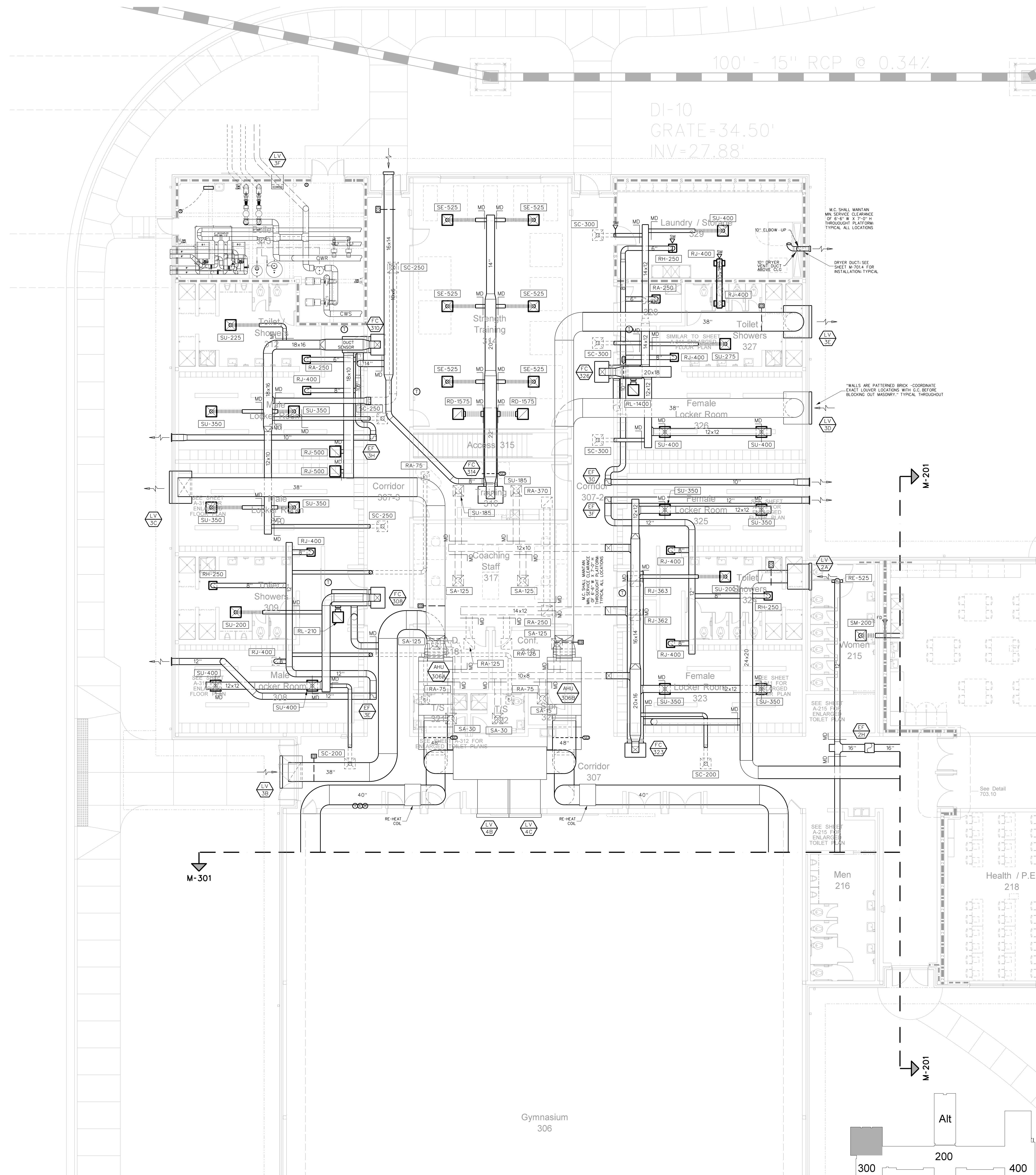
Hite associates
ARCHITECTURE / ENGINEERING / TECHNOLOGY
2600 Meridian Drive / Greenville, NC 27834 / tel (252) 757-0333



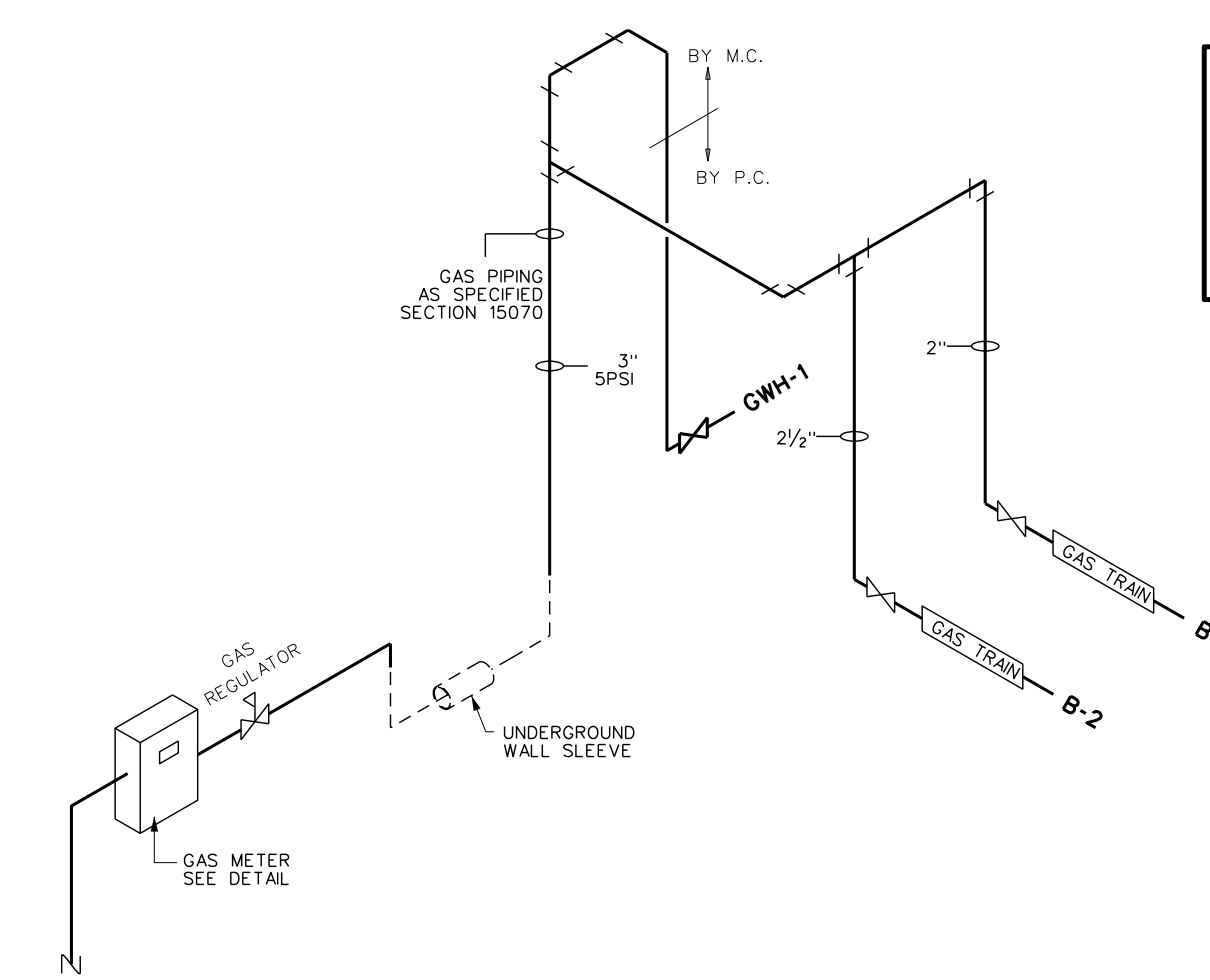
RECORD DRAWING

New Bertie High School
Bertie County Schools
716 US 13 North / NCDPS Unit 080 - School 312
Windsor / Bertie County / North Carolina

Project No. 21131
Date: 28 March 2012
Drawing no. **M 302**

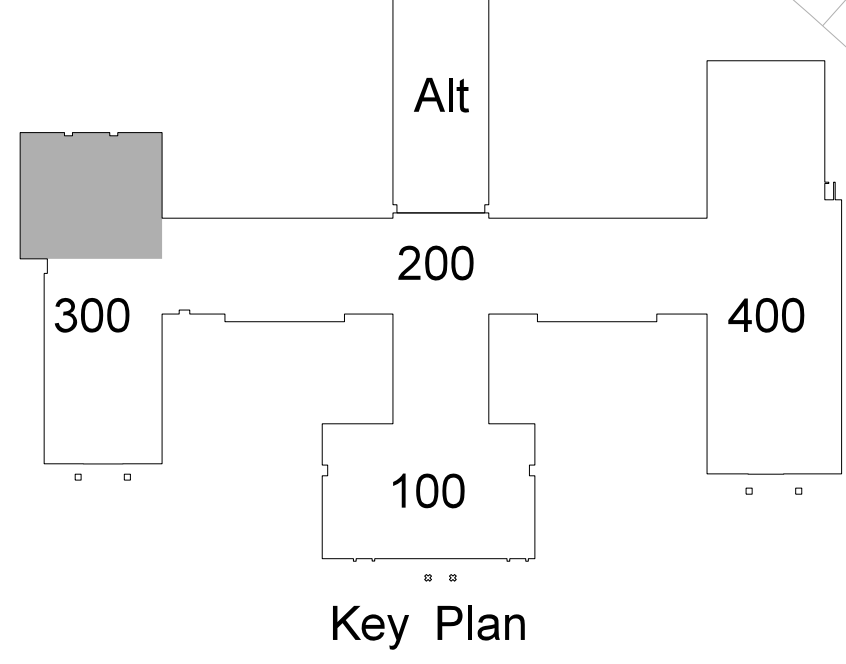


303.1 GYMNASIUM HVAC FLOOR PLAN
SCALE: 1/8" = 1'-0"



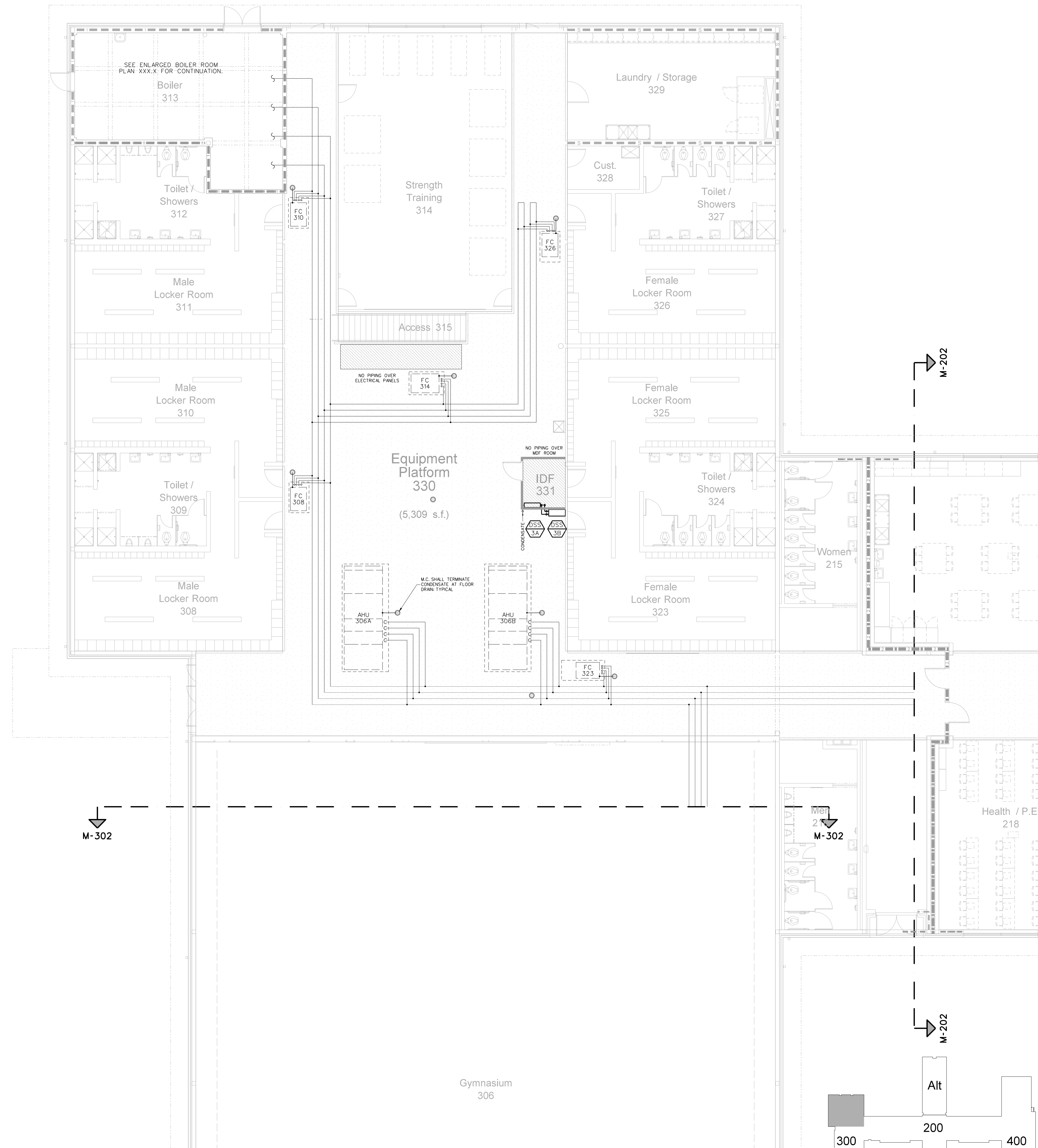
303.2 GAS RISER DIAGRAM
SCALE: none

GAS DEMAND	
BOILER No.1	2000 MBH
BOILER No.2	2000 MBH
GWH-4	399 MBH
	4399 MBH

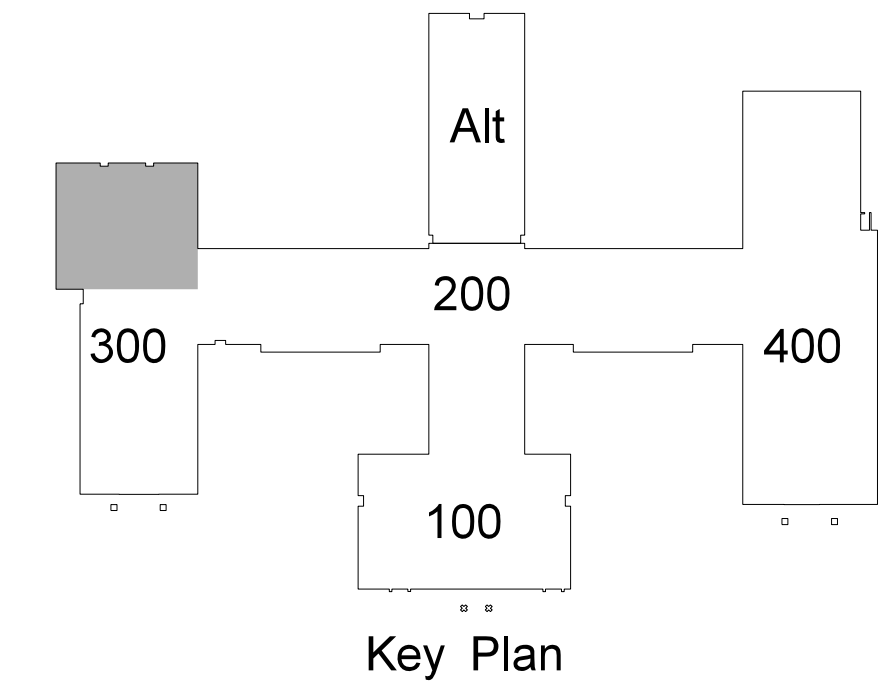


Key Plan

<p>Hite associates ARCHITECTURE / ENGINEERING / TECHNOLOGY 2600 Meridian Drive / Greenville, NC 27834 / tel (252) 757-0333</p>	<p>Project No. 21131 Date: 28 March 2012 Drawing no. M 303</p>
<p>RECORD DRAWING Bertie High School Bertie County Schools 716 US 13 North / NCDPS Unit 080 - School 312 Windsor / Bertie County / North Carolina</p>	<p>Professional Seal: M.E. ASSOCIATE, P.C. No. 418, State of North Carolina, Expires 12/31/2012</p>
<p>100' - 15" RCP @ 0.34%</p>	<p>DI-10 GRATE=34.50' INV=27.88'</p>

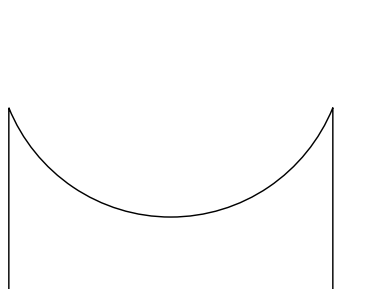
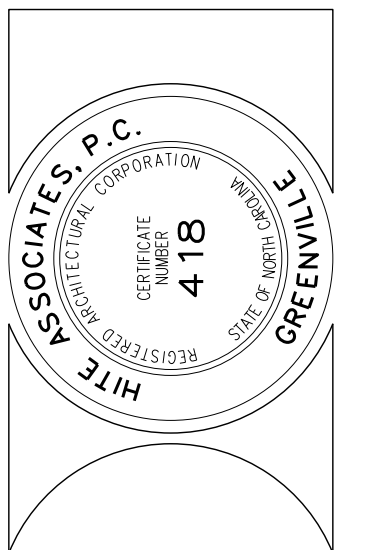


304.1 GYMNASIUM EQUIPMENT PLATFORM MECHANICAL PIPING PLAN
SCALE: 1/8" = 1'-0"



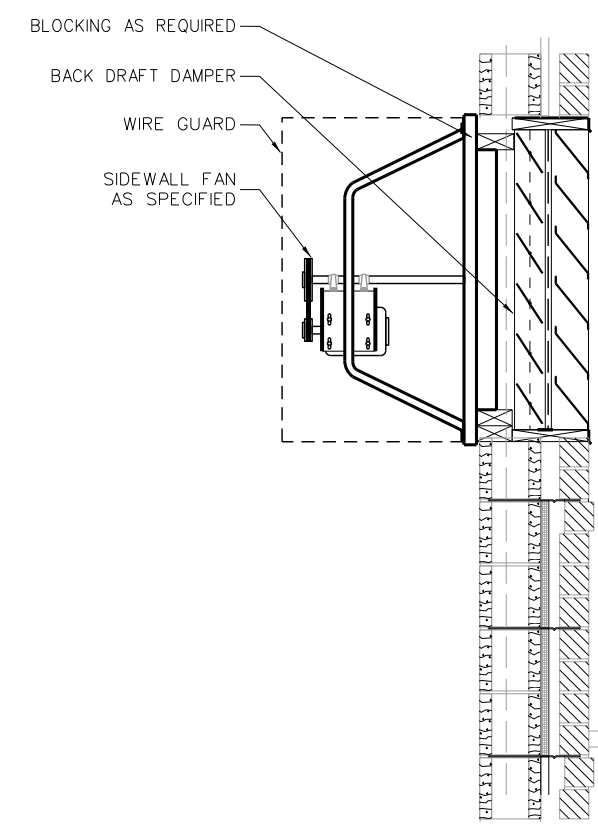
No.	Date	Revision

Hite associates
 ARCHITECTURE / ENGINEERING / TECHNOLOGY
 2600 Meridian Drive / Greenville, NC 27834 / tel (252) 757-0333



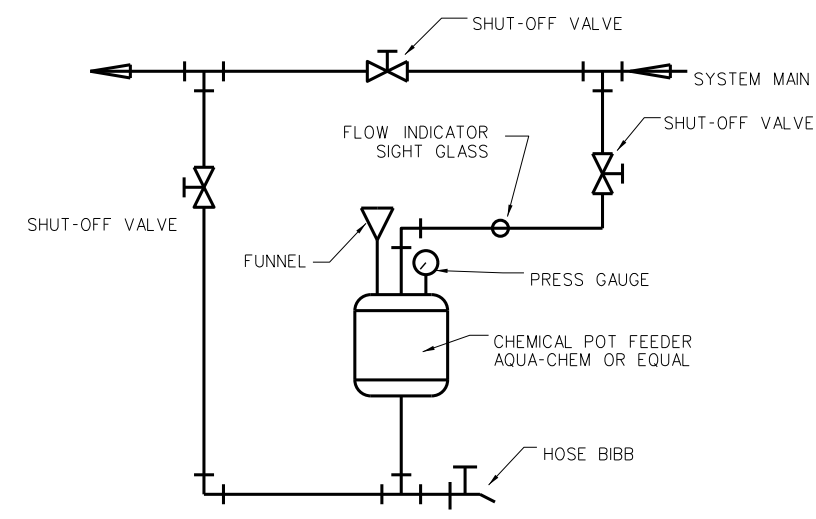
RECORD DRAWING
New Bertie High School
 Bertie County Schools
 716 US 13 North / NCDPS Unit 080 - School 312
 Windsor / Bertie County / North Carolina

Project No. 21131
 Date: 28 March 2012
 Drawing no. **M 304**

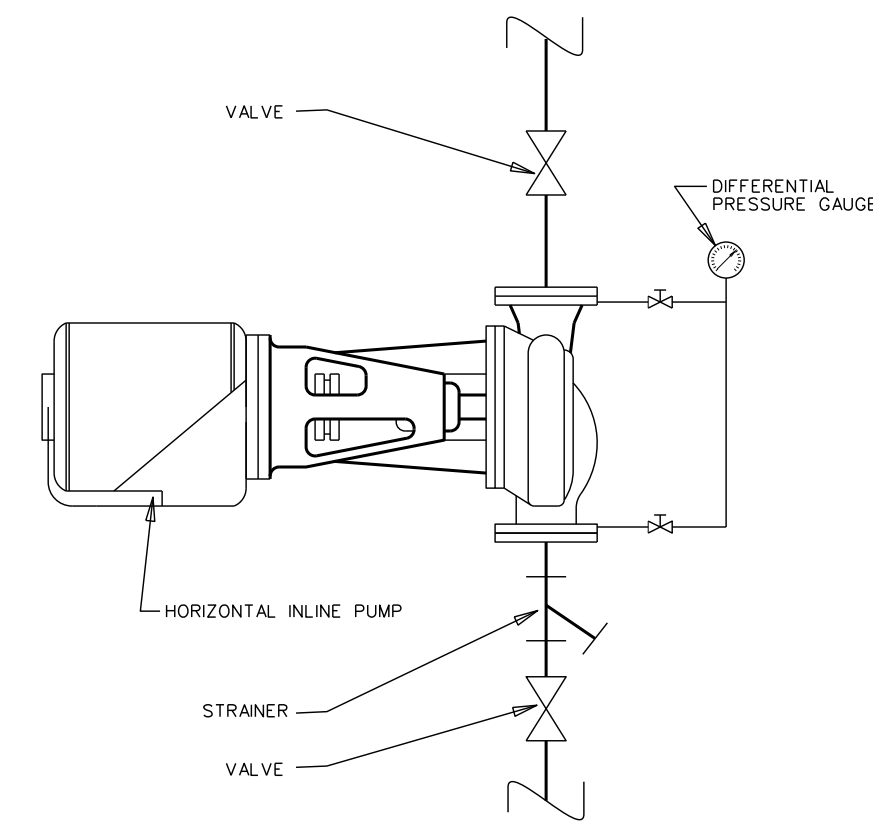


305.12 GAS TRAIN CONTROL DETAIL
SCALE: none

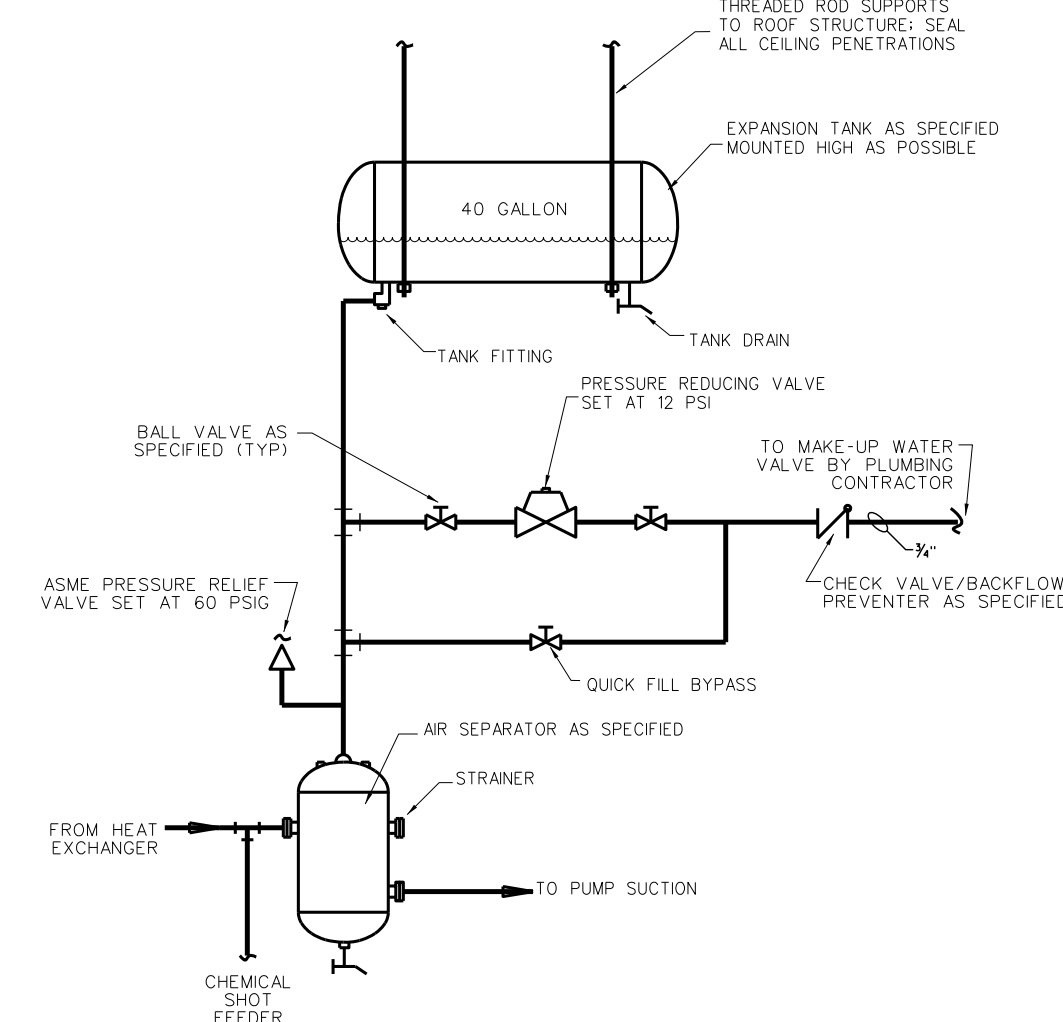
305.13 EF-3F INSTALLATION
SCALE: none



305.8 CHEMICAL SHOT FEEDER DETAIL
SCALE: none

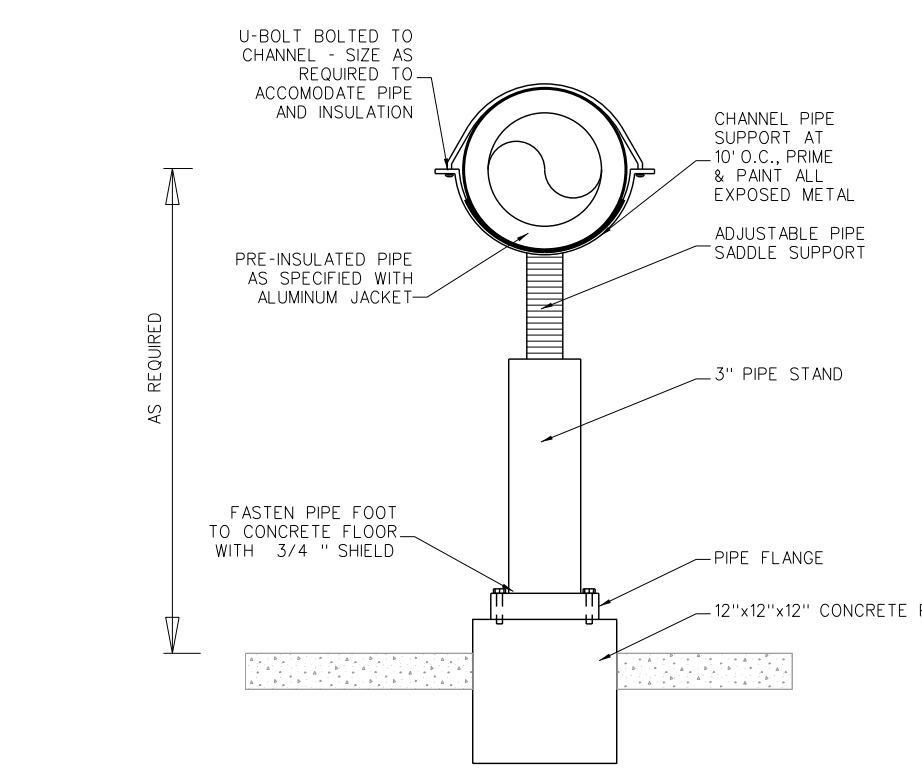


305.5 BOILER CIRCULATOR PUMP DETAIL
SCALE: none

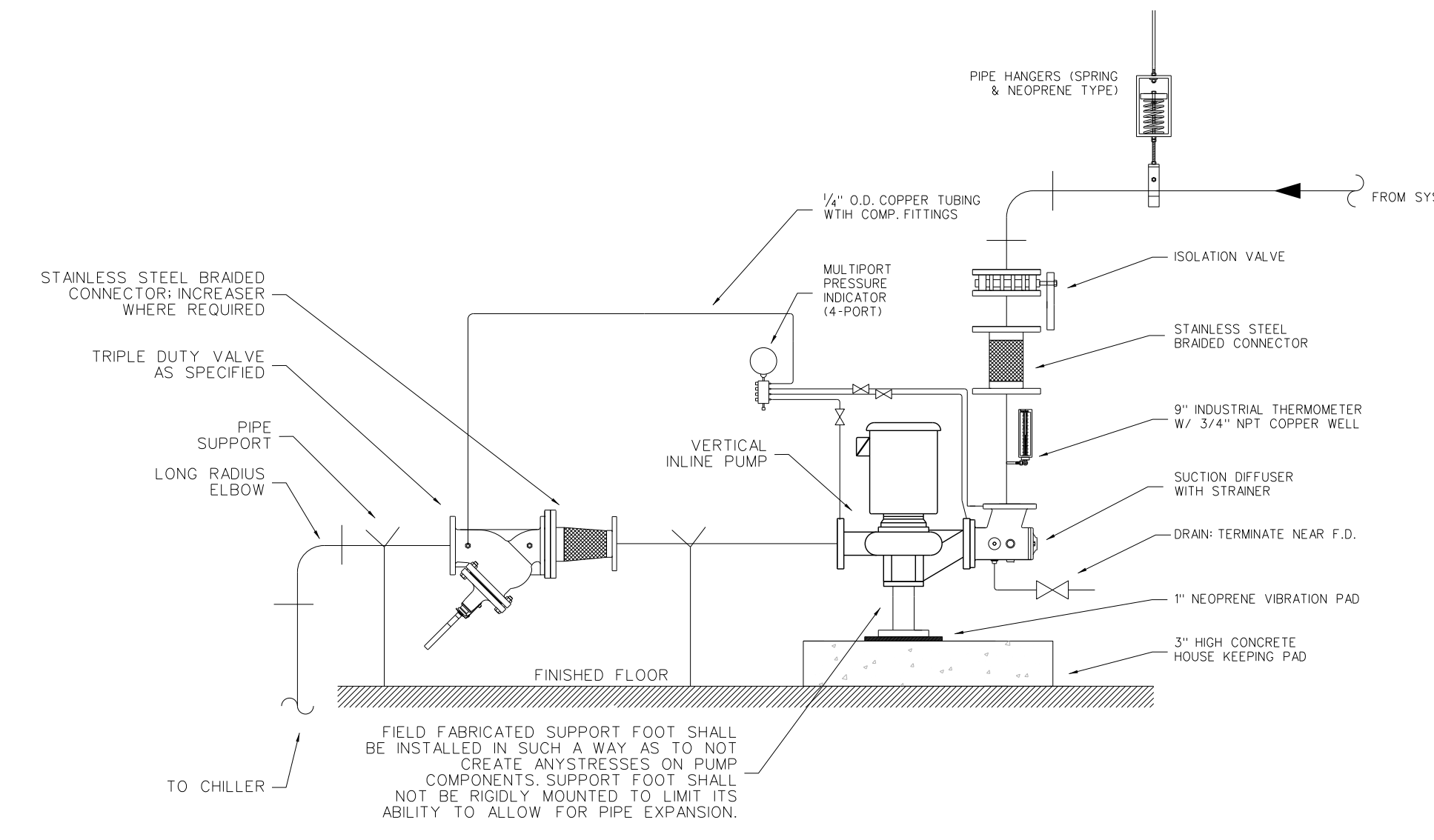


305.3 ICE SIDE AIR CONTROL SCHEMATIC
SCALE: none

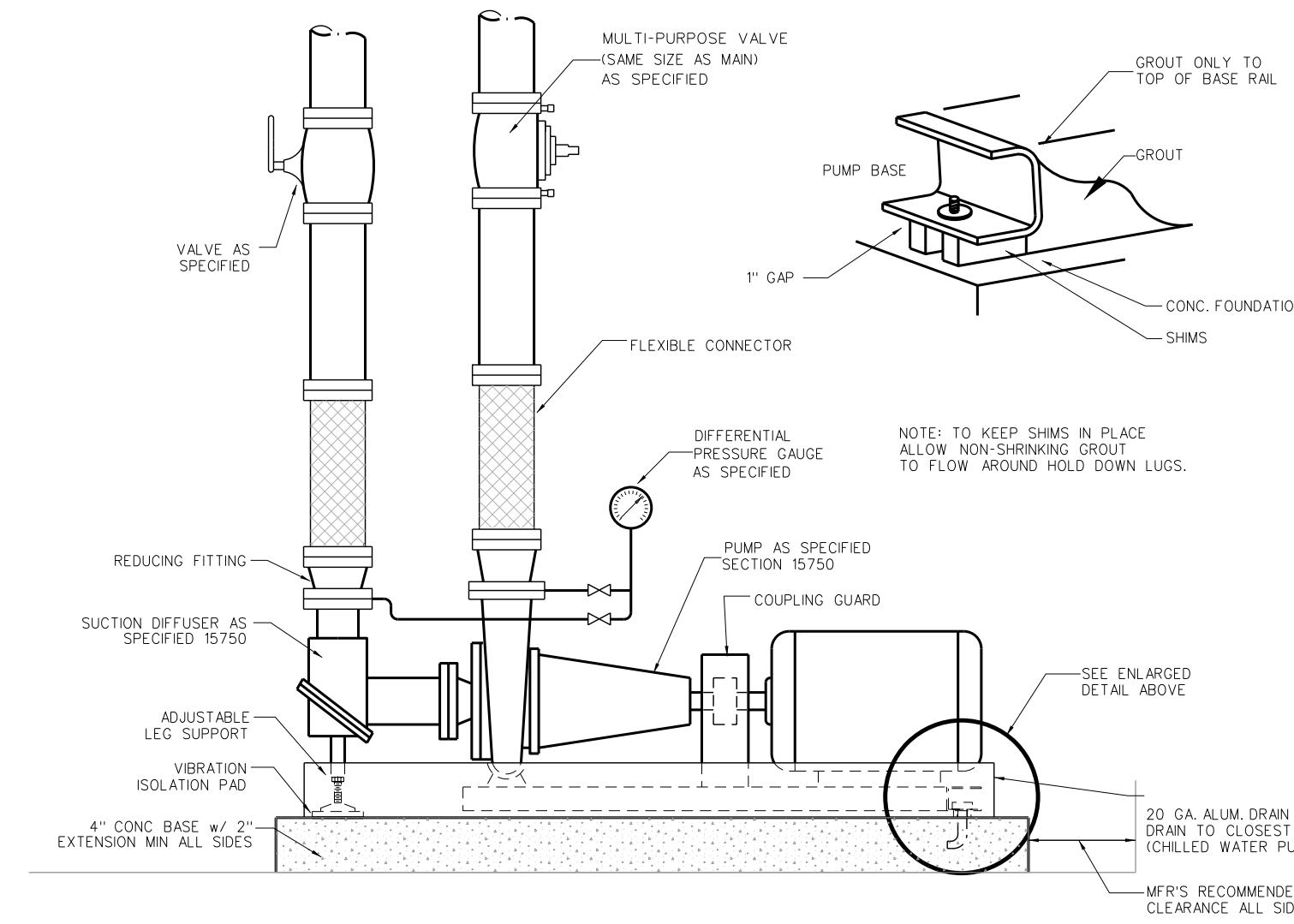
305.4 AIR CONTROL SCHEMATIC
SCALE: none



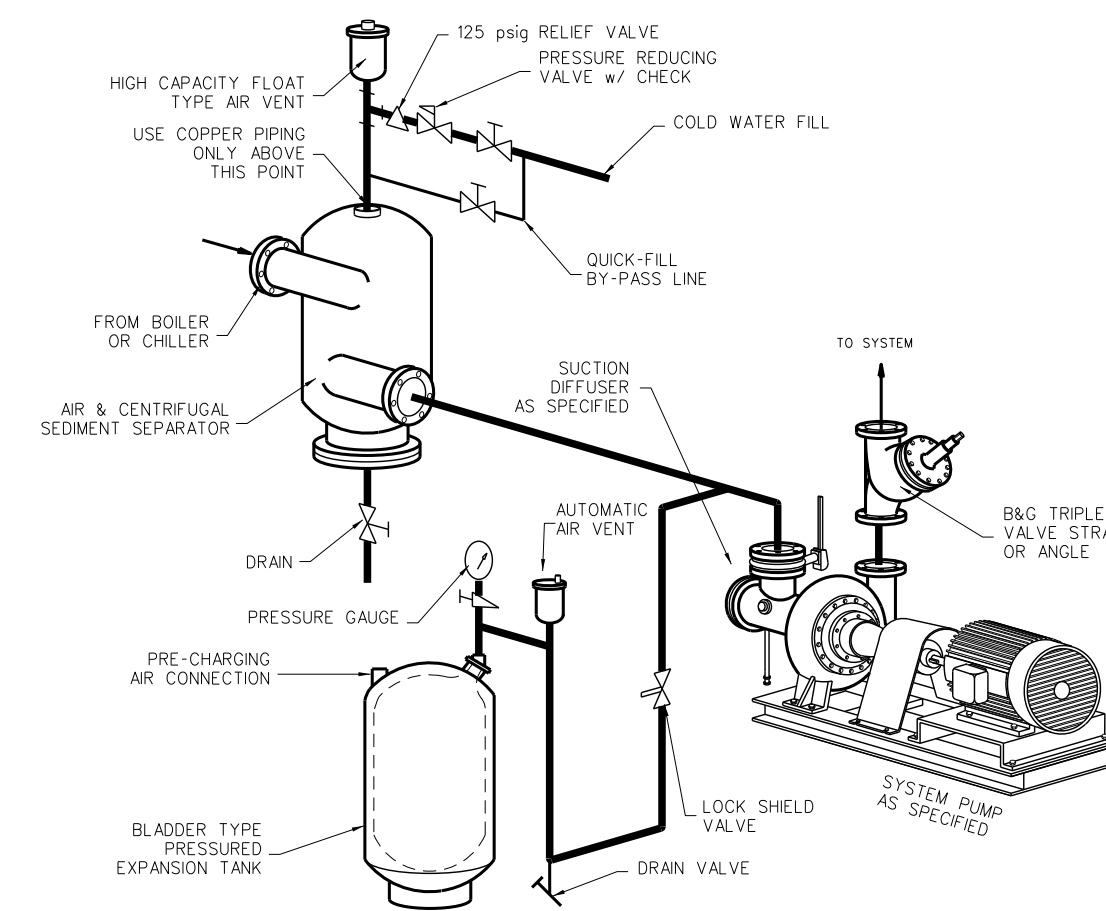
305.2 HYDRONIC PIPE STAND DETAIL
SCALE: none



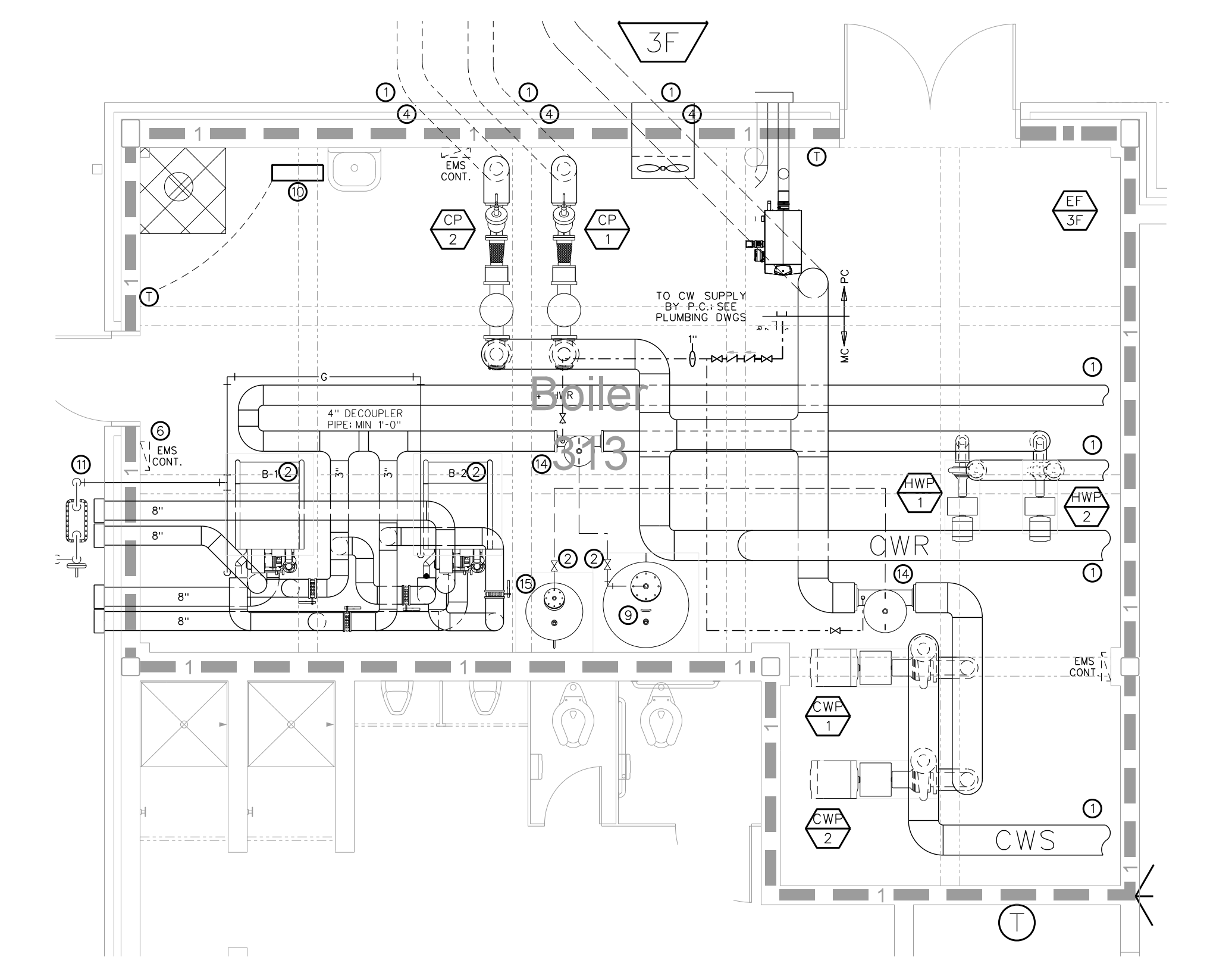
305.11 INLINE PUMP DETAIL
SCALE: none



305.6 CENTRIFUGAL END-SUCTION SYSTEM PUMP DETAIL
SCALE: none



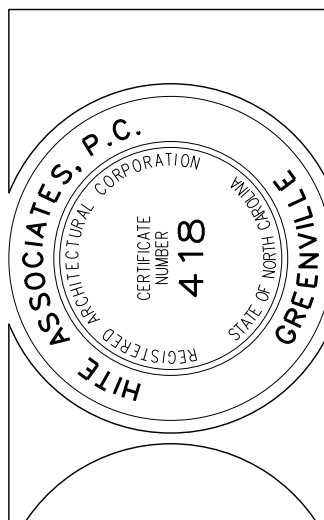
- PLANS 406.1 KEY NOTES:**
- 1) SEE FIRESTOP DETAIL, SHEET FP-001 FOR 2 HR WALL DETAIL
 - 2) 6" CONCRETE HOUSEKEEPING PAD BY M.C. EACH BOILER
 - 3) BOILER EMERGENCY CUT-OFF SWITCH
 - 4) PIPE SLEEVES
 - 5) HW PUMP STAGING CONTROLS AS SPECIFIED
 - 6) HW SYSTEM EMS CONTROLLER
 - 7) SEE GAS TRAIN DETAIL THIS SHEET
 - 8) NOT USED
 - 9) FLOOR MOUNT BLADDER-TYPE 315 GALLON (MINIMUM) HW EXPANSION TANK
 - 10) ELECTRIC UNIT HEATER - SEE DETAIL THIS SHEET
 - 11) UNDERGROUND GAS PIPE IN SLEEVE
 - 12) CHILLER CONTROL PANEL
 - 13) CW PUMP STAGING CONTROLLER
 - 14) AIR/SEDIMENT SEPARATOR AS SPECIFIED
 - 15) FLOOR MOUNT BLADDER-TYPE 130 GAL CW EXPANSION TANK
 - 16) SEE SHEET M-300 SERIES AND FLOW AND CONTROL DIAGRAMS FOR CONTINUATIONS
 - 17) NOT USED
 - 18) SEE PUMP DETAIL THIS SHEET (TYP)
 - 19) SEE SYSTEM DIAGRAMS FOR GAUGE AND TAP DETAILS.



305.1 ENLARGED BOILER ROOM MECHANICAL PLAN
SCALE: 1/4" = 1'-0"

No.	Date	Revision

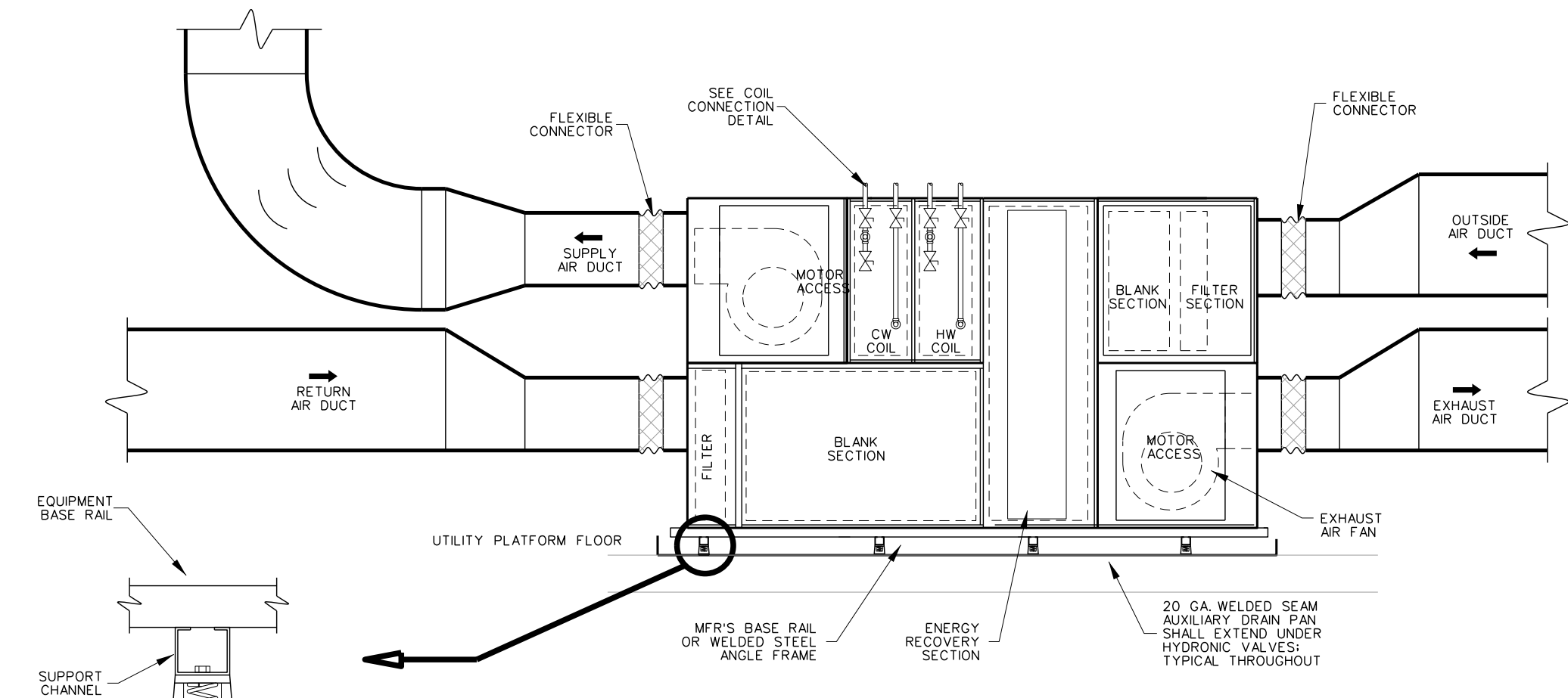
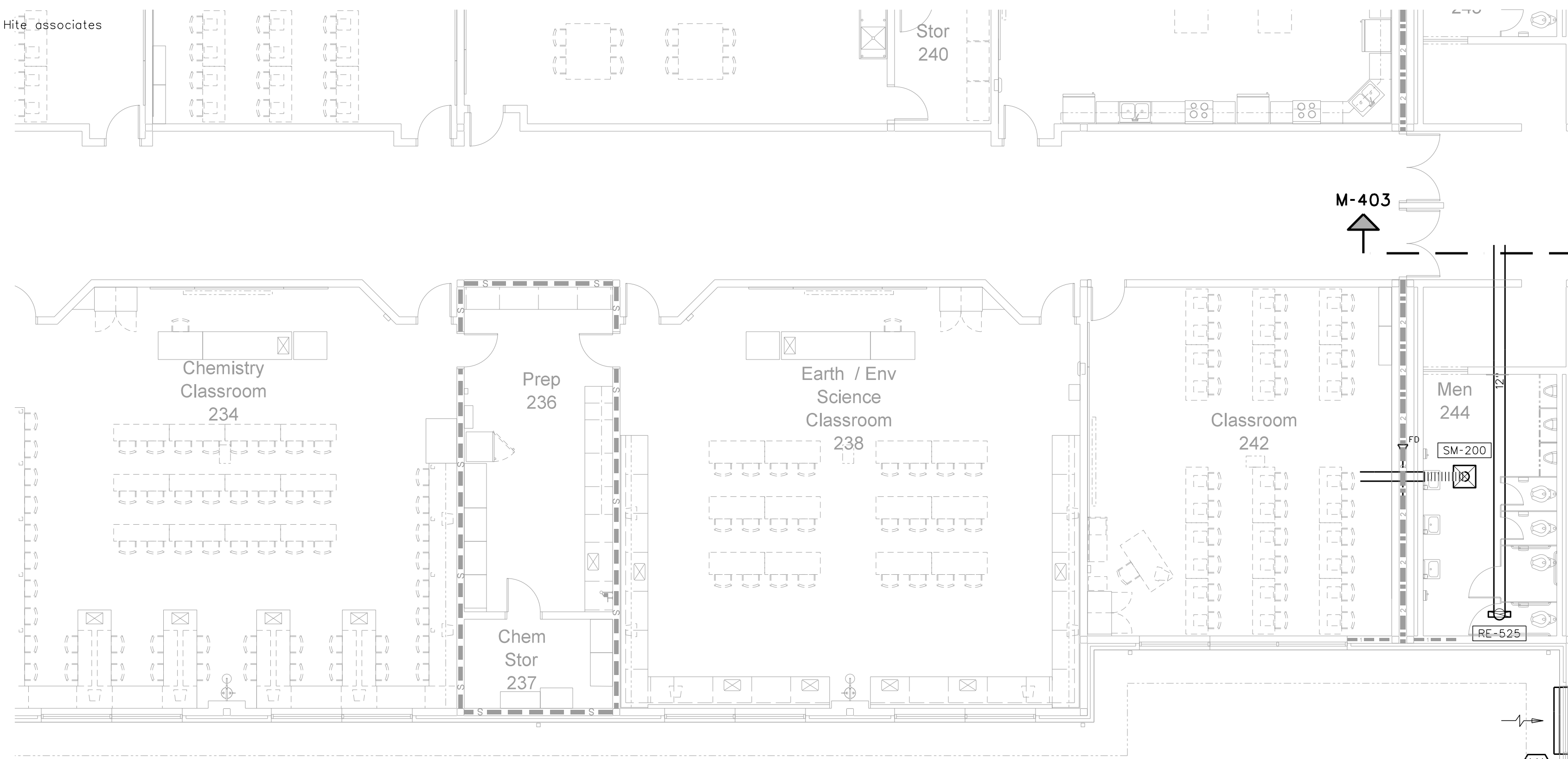
Hite associates
ARCHITECTURE / ENGINEERING / TECHNOLOGY
2600 Meridian Drive / Greenville, NC 27834 / tel: (252) 757-0333



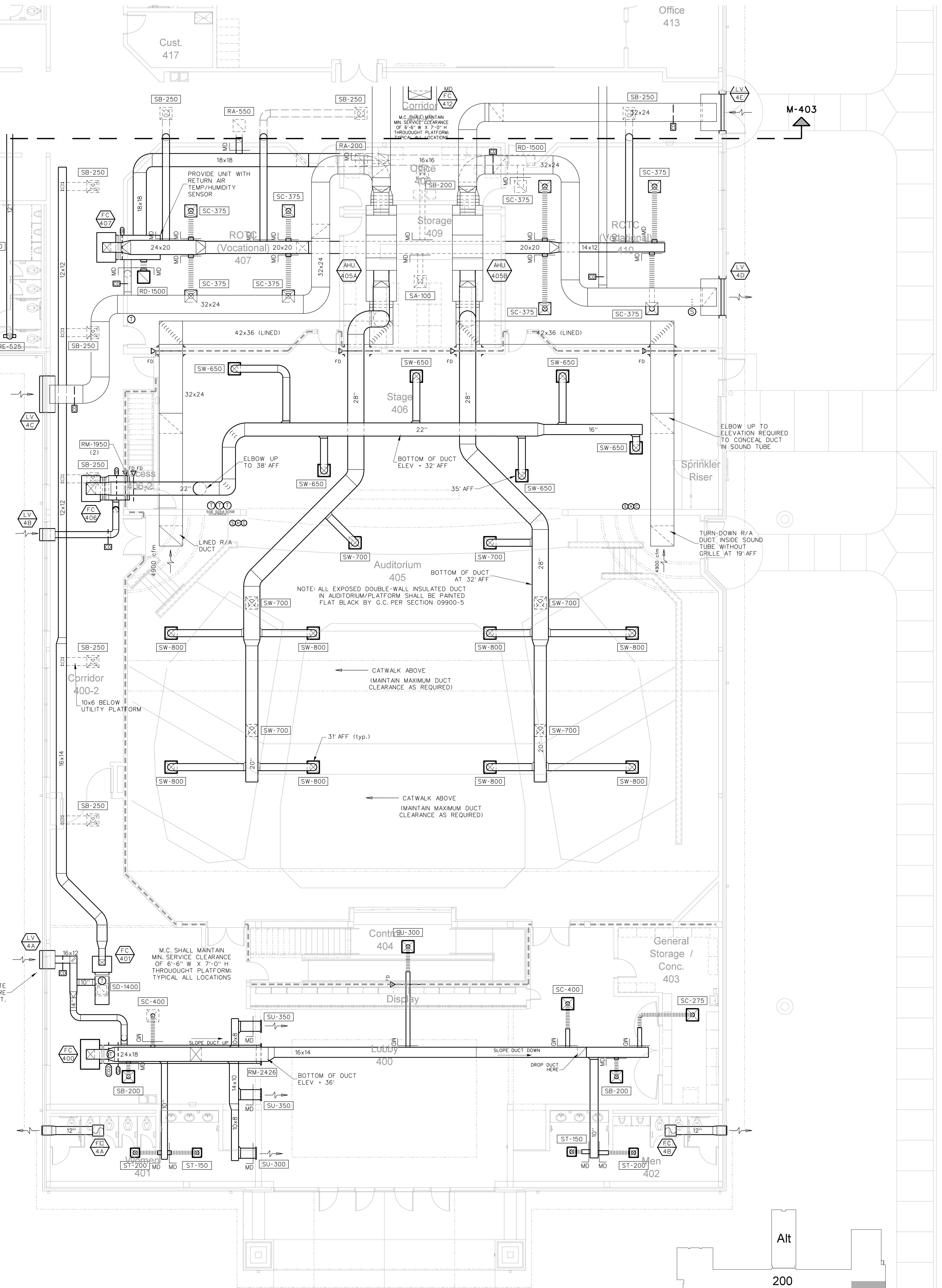
RECORD DRAWING

Project No. 21131
Date: 28 March 2012
Drawing no. M 305

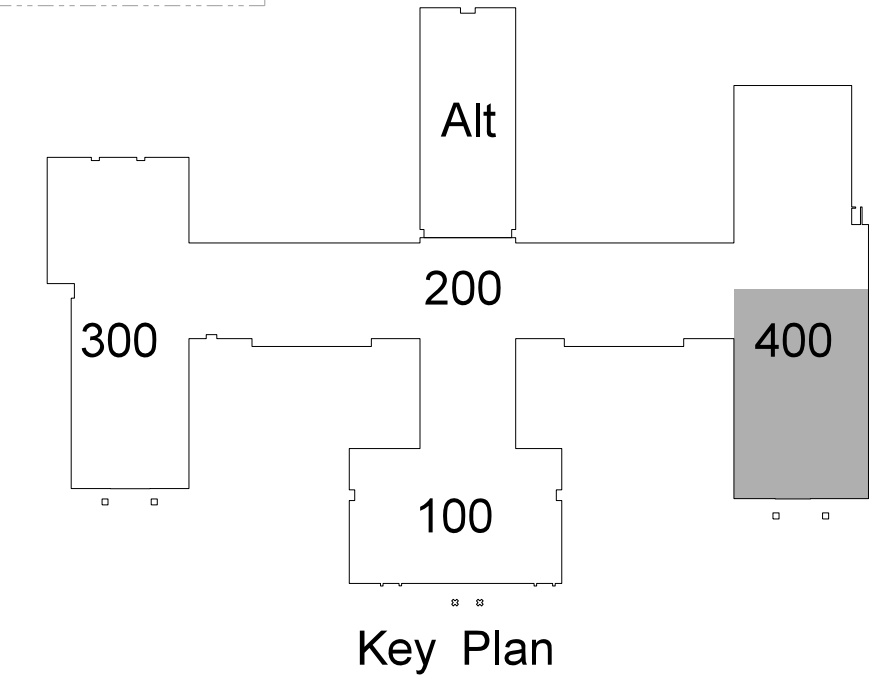
Project No. 21131
Date: 28 March 2012
Drawing no. M 305



"WALLS ARE PATTERNED BRICK -COORDINATE EXACT LOUVER LOCATIONS WITH G.C. BEFORE BLOCKING OUT MASONRY." TYPICAL THROUGHOUT.



401.1 THEATER HVAC FLOOR PLAN
SCALE: 1/8" = 1'-0"

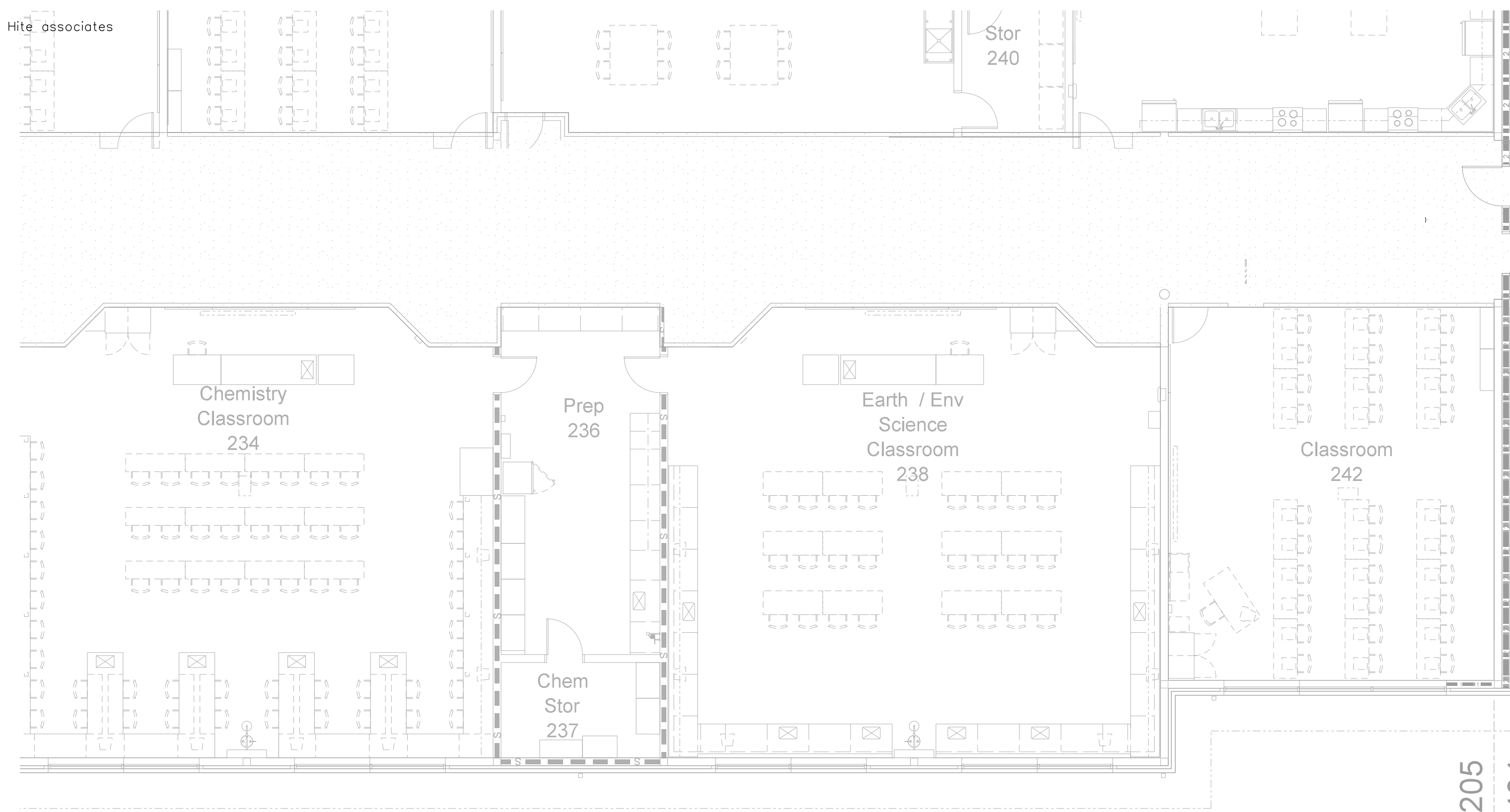


Hite associates
ARCHITECTURE / ENGINEERING / TECHNOLOGY
2600 Meridian Drive / Greenville, NC 27834 / tel (252) 757-0333

RECORD DRAWING Bertie High School
Bertie County Schools
716 US 13 North / NCDPS Unit 080 - School 312
Windsor / Bertie County / North Carolina

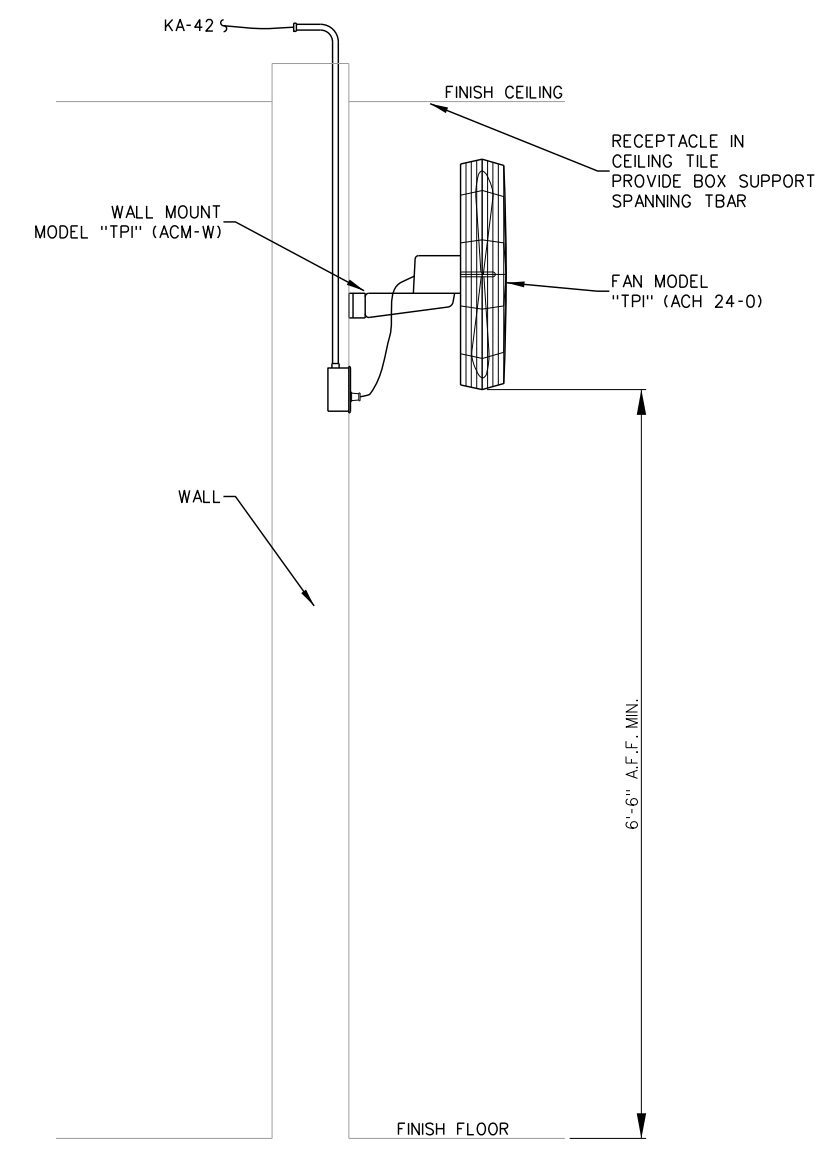
Project No. 21131
Date: 28 March 2012
Drawing no. M 401

No.	Date	Revision

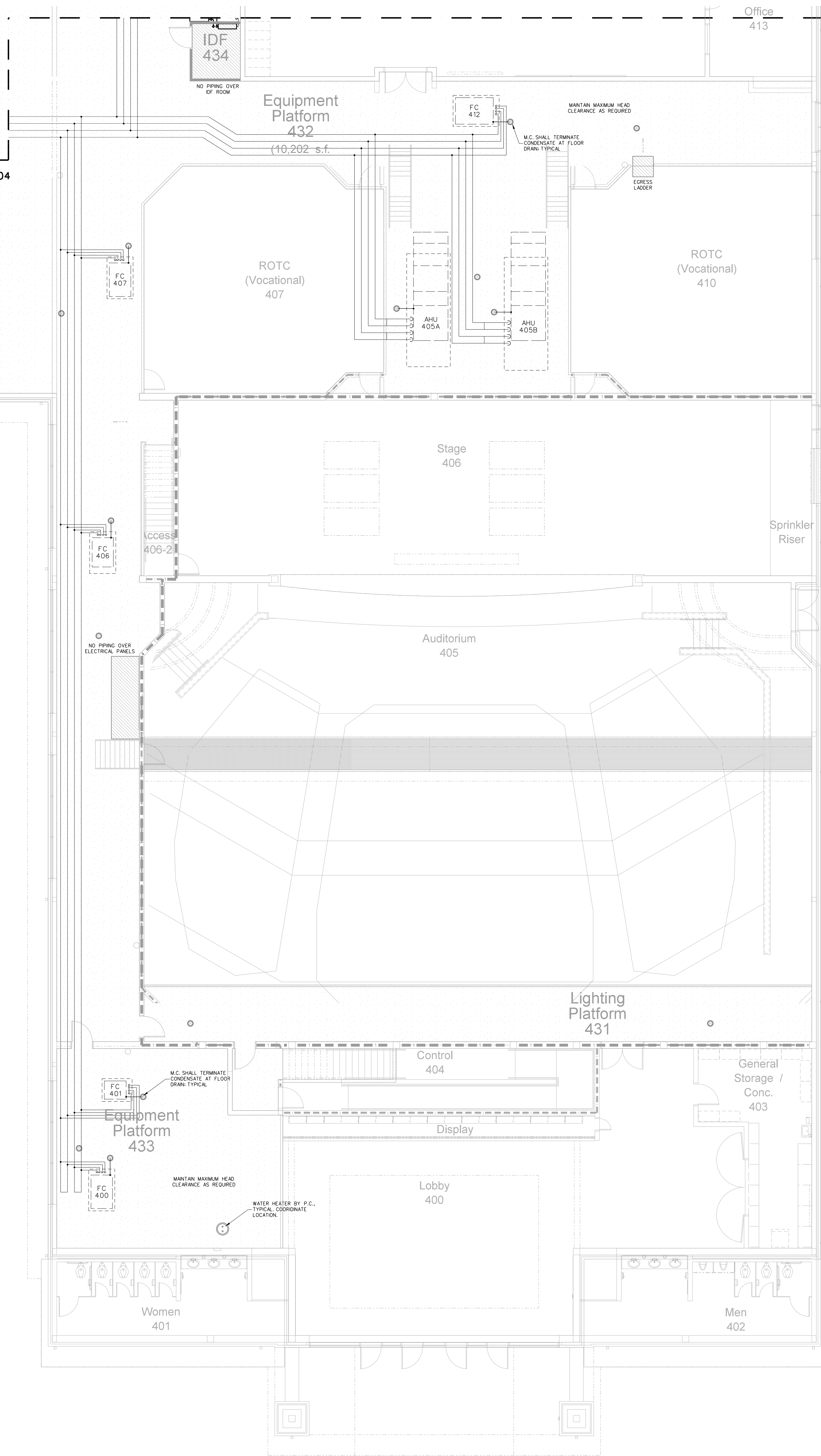


Sheet A-205
Sheet A-404

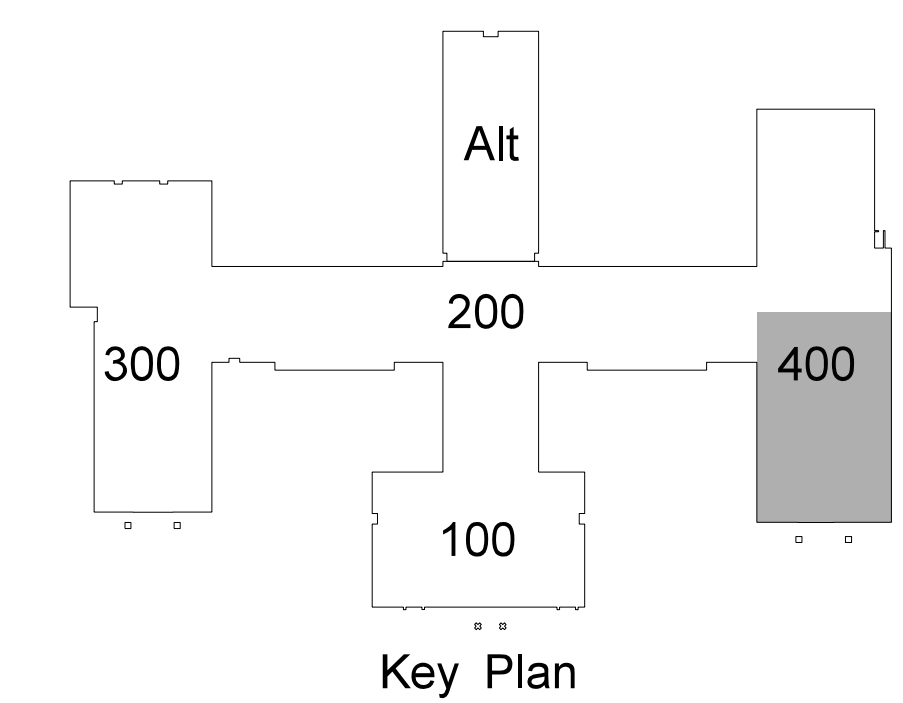
M-404



402.2 WALL MOUNTED FAN DETAIL
SCALE: 1/8" = 1'-0"



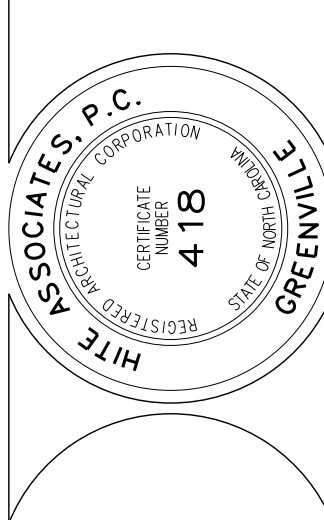
402.1 THEATER EQUIPMENT PLATFORM MECHANICAL PIPING PLAN
SCALE: 1/8" = 1'-0"



Sheet A-404
Sheet A-403

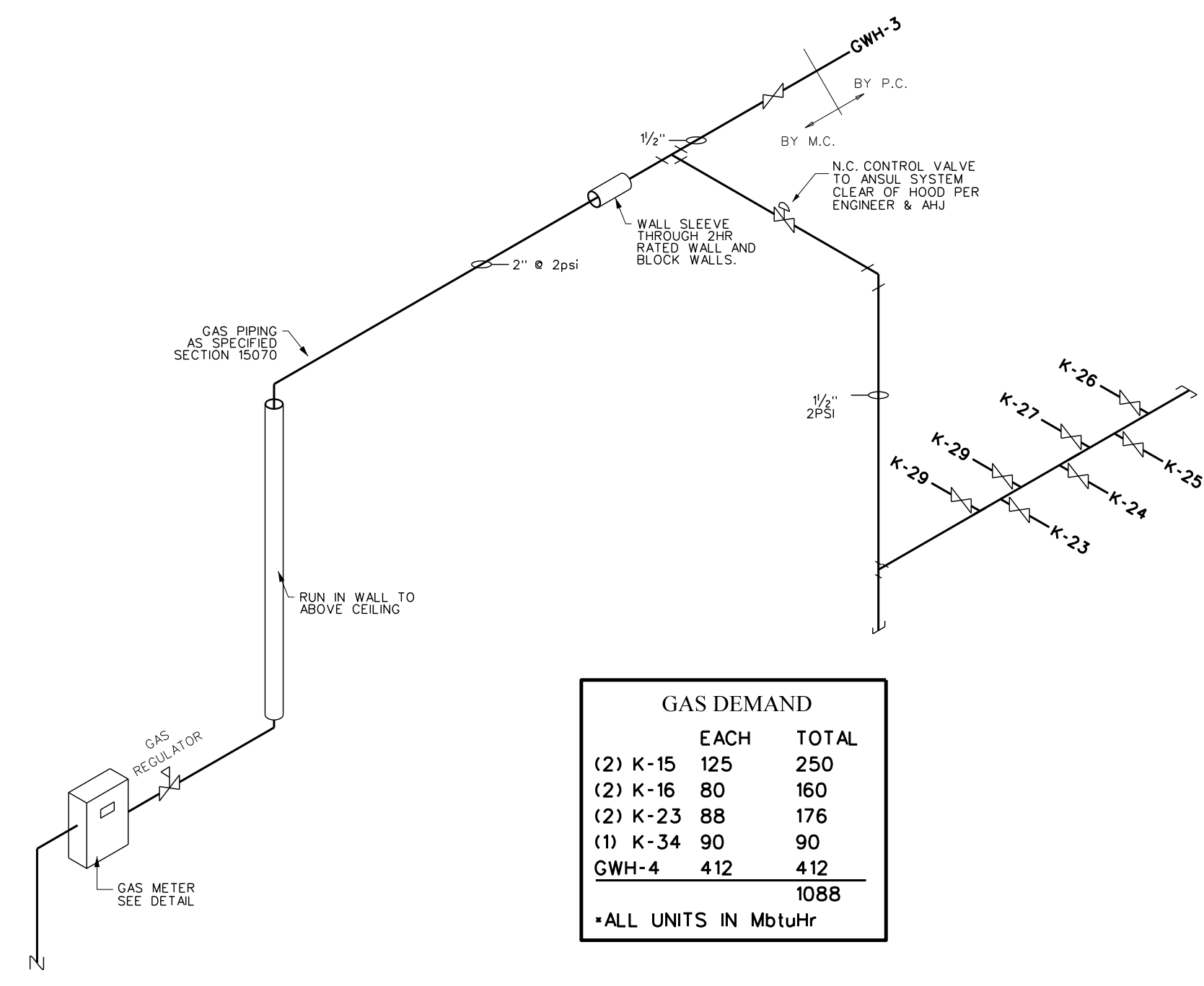
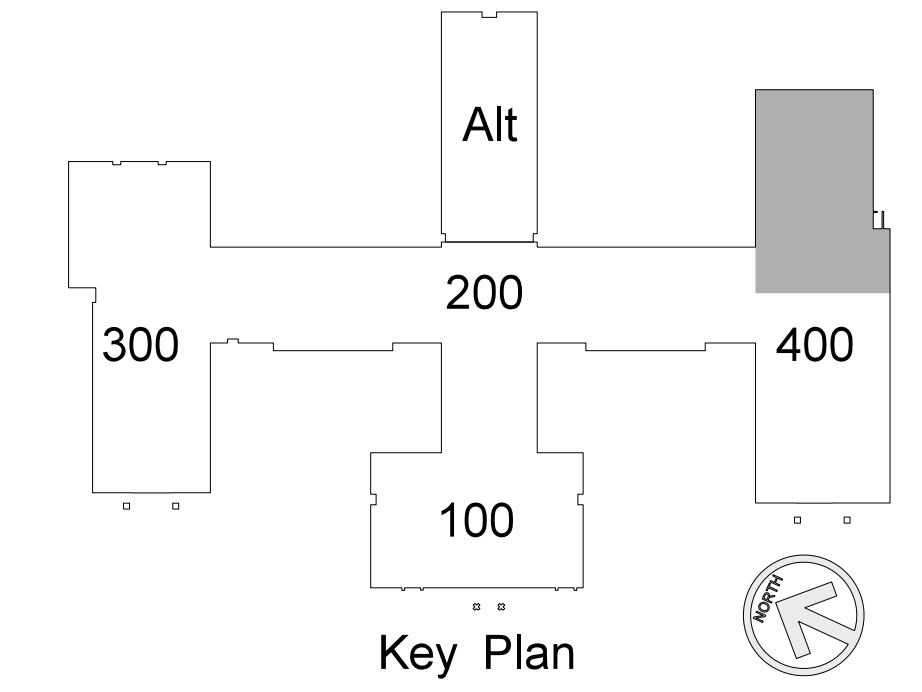
No.	Date	Revision

Hite associates
ARCHITECTURE / ENGINEERING / TECHNOLOGY
2600 Meridian Drive / Greenville, NC 27834 / tel (252) 757-0333

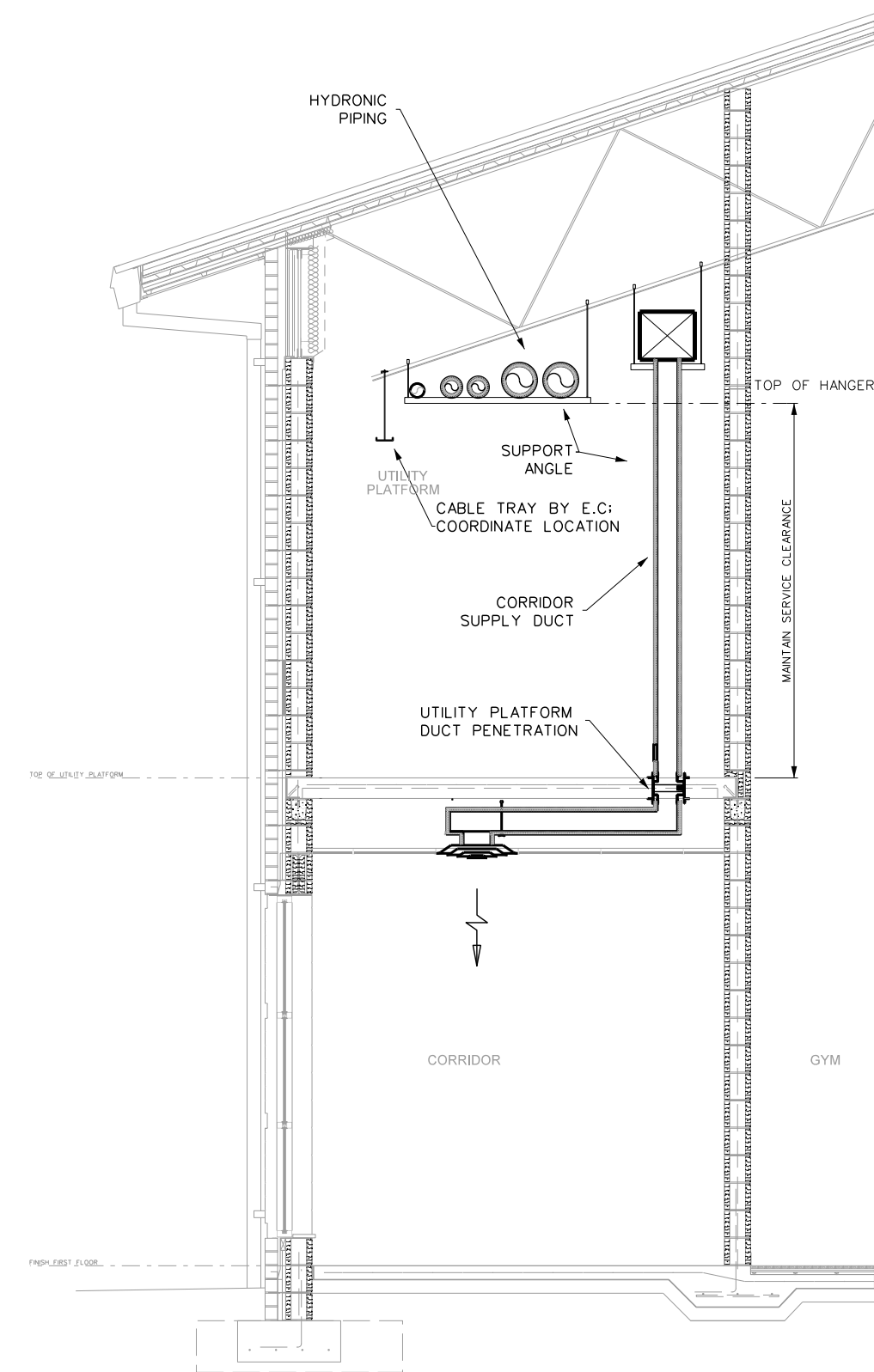


RECORD DRAWING
New Bertie High School
Bertie County Schools
716 US 13 North / NCDPS Unit 080 - School 312
Windsor / Bertie County / North Carolina

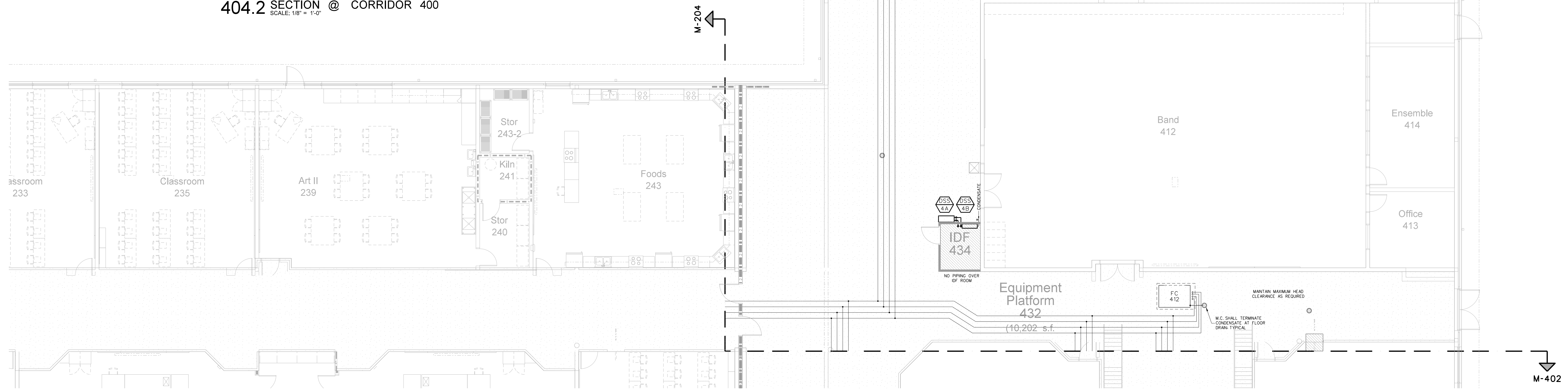
Project No. 21131
Date: 28 March 2012
Drawing no. **M 402**



404.3 GAS RISER DIAGRAM
SCALE: none



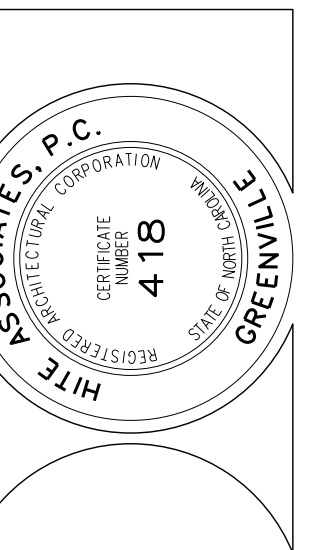
404.2 SECTION @ CORRIDOR 400
SCALE: 1/8" = 1'-0"



404.1 KITCHEN AND CAFETERIA EQUIPMENT PLATFORM PIPING PLAN
SCALE: 1/8" = 1'-0"

No.	Date	Revision

Hite associates
ARCHITECTURE / ENGINEERING / TECHNOLOGY
2600 Meridian Drive / Greenville, NC 27834 / tel (252) 757-0333

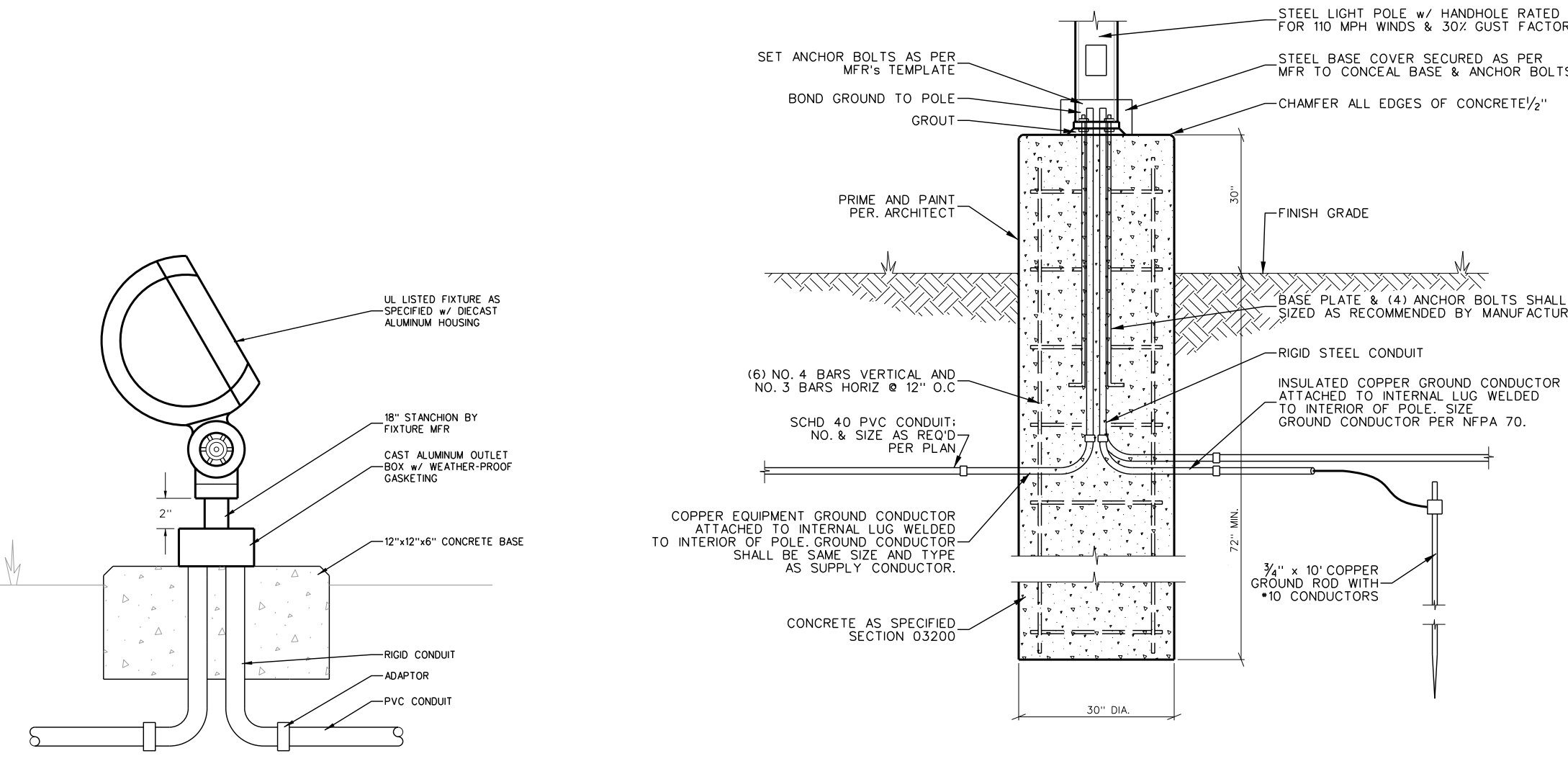


RECORD DRAWING
New Bertie High School
Bertie County Schools
716 US 13 North / NCDPS Unit 080 - School 312
Windsor / Bertie County / North Carolina

Project No. 21131
Date: 28 March 2012
Drawing no. **M 404**

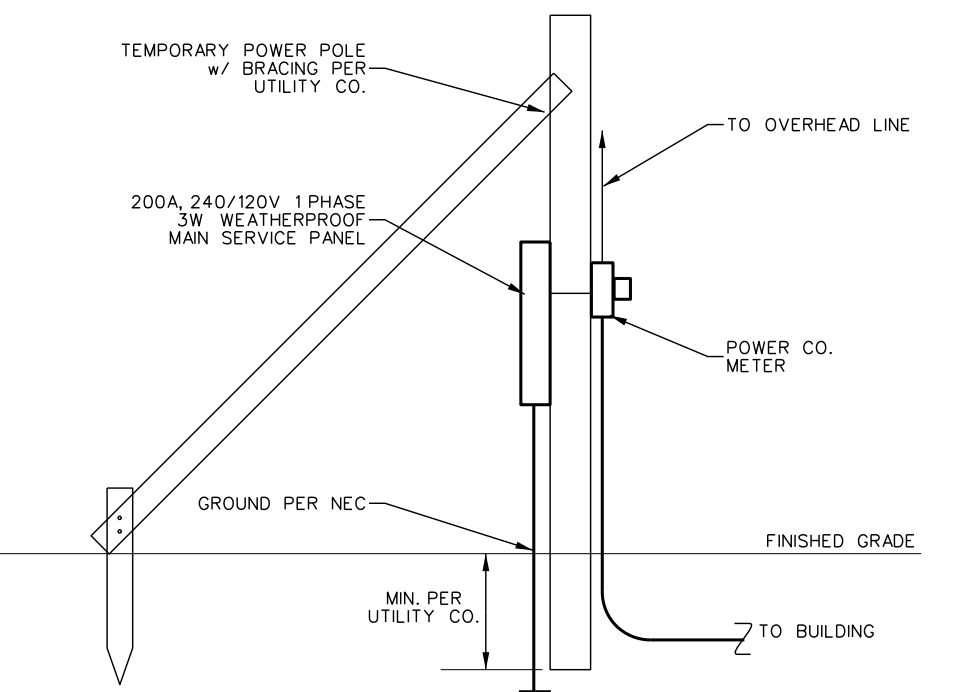
GENERAL ELECTRICAL NOTES

- (1) REFERENCE SPECIFICATIONS AND ARCHITECTURAL, STRUCTURAL, PLUMBING & HVAC DRAWINGS PRIOR TO CONSTRUCTION.
- (2) ALL WORK SHALL BE PERFORMED IN STRICT ACCORDANCE WITH 2008 NEC/NFPA 70. CONTRACTOR SHALL NOTIFY ENGINEER REGARDING ANY CODE DISCREPANCIES SHOWN ON PLAN. ANY PERMIT OR INSPECTION FEES ARE THE RESPONSIBILITY OF THE ELECTRICAL CONTRACTOR.
- (3) THESE DRAWINGS ARE DIAGRAMMATIC ONLY & ARE NOT INTENDED TO SHOW MINOR DETAILS & EXACT LOCATIONS. DESIGN ADJUSTMENTS SHALL BE ANTICIPATED BY THE CONTRACTOR TO PROVIDE A COMPLETE AND OPERATIONAL SYSTEM.
- (4) THE LOCATIONS OF EXISTING UNDERGROUND UTILITIES ARE SHOWN IN AN APPROXIMATE METHOD & HAVE NOT BEEN VERIFIED. CONTRACTOR SHALL DETERMINE EXACT LOCATION OF UNDERGROUND UTILITIES PRIOR TO COMMENCING WORK & IS RESPONSIBLE FOR ANY DAMAGE INCURRED BY FAILURE TO DO SO. EACH PRIME CONTRACTOR PERFORMING EXCAVATIONS OR UNDERGROUND WORK SHALL BE RESPONSIBLE FOR THE LOCATION OF ANY EXISTING UTILITIES IN THE AREA OF THEIR WORK. NOTIFY THE UTILITY LOCATOR SERVICE (1-800-632-4949) AT LEAST 48 HOURS PRIOR TO COMMENCING CONSTRUCTION IN ORDER THAT EXISTING UTILITIES IN THE AREA MAY BE FLAGGED AND STAKED. CONTRACTOR SHALL USE ALL CARE NECESSARY WHEN WORKING IN AREAS KNOWN OR SUSPECTED TO CONTAIN UNDERGROUND UTILITIES INCLUDING HAND DIGGING.
- (5) THE ELECTRICAL CONTRACTOR SHALL COORDINATE THE INSTALLATION OF ELECTRICAL FIXTURES AND EQUIPMENT WITH OTHER PRIME CONTRACTORS PRIOR TO INSTALLATION TO AVOID CONFLICTS. CONTACT ARCHITECT IF ALTERNATE INSTALLATION METHOD IS REQUIRED.
- (6) DO NOT SCALE THESE DRAWINGS; REFER TO LARGEST SCALE ARCHITECTURAL PLANS.
- (7) PROVIDE LINE SIDE POWER WIRING UP TO TERMINATION POINT OF JUNCTION BOX DISCONNECT SWITCHES WIRING THROUGH STARTER ETC. LOAD-SIDE FINAL CONNECTIONS FOR ALL EQUIPMENT BY OTHERS UNLESS NOTED OTHERWISE. REFERENCE MECHANICAL DRAWINGS FOR EQUIPMENT DETAILS AS REQUIRED.
- (8) ALL HOLES CUT IN FLOOR, CEILING AND WALLS SHALL BE CORE-DRILLED OR SAWED.
- (9) ALL CIRCUITS SHALL BE PROVIDED WITH AN INSULATED EQUIPMENT GROUND CONDUCTOR SIZED IN ACCORDANCE WITH 2008 NEC TABLE 250-122. HASHPARK FOR GROUNDING CONDUCTOR IS NOT INDICATED ON THESE DRAWINGS. RACEWAY SHALL NOT BE USED AS EQUIPMENT GROUND.
- (10) IN ADDITION TO MECHANICAL FASTENING TO CEILING TRACK SUPPORT LIGHT FIXTURES AT EACH CORNER INDEPENDENTLY OF SUSPENDED CEILING WITH 12 GAUGE WIRE CONNECT TO STRUCTURAL SYSTEM OF BUILDING.
- (11) ALL CONDUIT SHALL BE CONCEALED UNLESS OTHERWISE NOTED. ALL EMPTY CONDUIT SHALL HAVE A PULL WIRE.
- (12) CONDUIT 1/2" & LARGER SHALL BE ELECTRICAL METALLIC TUBING (EMT). EMT SHALL BE COLD-ROLLED STEEL TUBING W/ A COATING ON THE OUTSIDE & PROTECTED ON THE INSIDE BY A ZINC ENAMEL OR EQUIVALENT CORROSION RESISTANT COATING AND CONFORMING TO THE REQUIREMENTS OF ANSIC 83-10.96 OR LATER EDITION. ALL UNDERGROUND CONDUIT SHALL BE UL LISTED SCHD 40 PVC CONFORMING TO THE 2008 NEC WHERE SCHD 40 PVC IS INSTALLED UNDER FLOOR SLABS, THE ELBOWS REQUIRED TO TURN THE RACEWAY UP INTO CABINETS, EQUIPMENT ETC, SHALL BE OF RIGID STEEL.
- (13) CONDUCTORS SHALL BE TYPE THW OR THWN. BRANCH CIRCUIT CONDUCTOR SHALL NOT BE SMALLER THAN NO. 12 AWG EXCEPT WHERE SPECIFICALLY NOTED OTHERWISE. HOME RUNS ORIGINATING MORE THAN 10 FT FROM PANEL LOCATION SHALL BE NO. 10 AWG MINIMUM SIZE. WIRES NO. 10 AWG AND SMALLER SHALL BE SOLID WIRES NO. 8 AWG AND LARGER SHALL BE STRANDED. PROVISIONS OF SECTION 210.5 COLOR CODE, NEC, SHALL BE STRICTLY COMPLIED WITH AND BE CONSISTENT THROUGHOUT ENTIRE SYSTEM.
- (14) PROVIDE 3 WIRE RED MAGNETIC WARNING TAPE MARKED "BURIED ELECTRIC LINE BELOW 60 INCHES BELOW FINISH GRADE FOR ALL U.G. CONDUIT. ALL U.G. RACEWAYS SHALL BE 18" DEEP TO TOP OF CONCRETE. ALL RACEWAYS INSTALLED BELOW FINISHED GRADE SHALL BE CONCRETE ENCASED.
- (15) ALL JUNCTION OR DEVICE BOXES SHALL HAVE A COVER. PROVIDE COVER PLATES AS SPECIFIED IN SECTION 16140.
- (16) THE TERM "VERIFY" RELATIVE TO THESE DRAWINGS SHALL BE DEFINED AS OBTAINING EQUIPMENT INSTALLATION INSTRUCTIONS FROM EQUIPMENT SUPPLIER OR OBTAIN OWNER'S REPRESENTATIVE'S APPROVAL.
- (17) WHERE MC OR FLEX ARE PERMITTED SUPPORT SHALL BE UL LISTED STEEL DEVICES MAINTAINING PROPER SPACING FROM OTHER MC OR FLEX INSTALLED ADJACENT.



001.4 TYPE 'LF' SIGN LIGHT DETAIL
SCALE: NONE

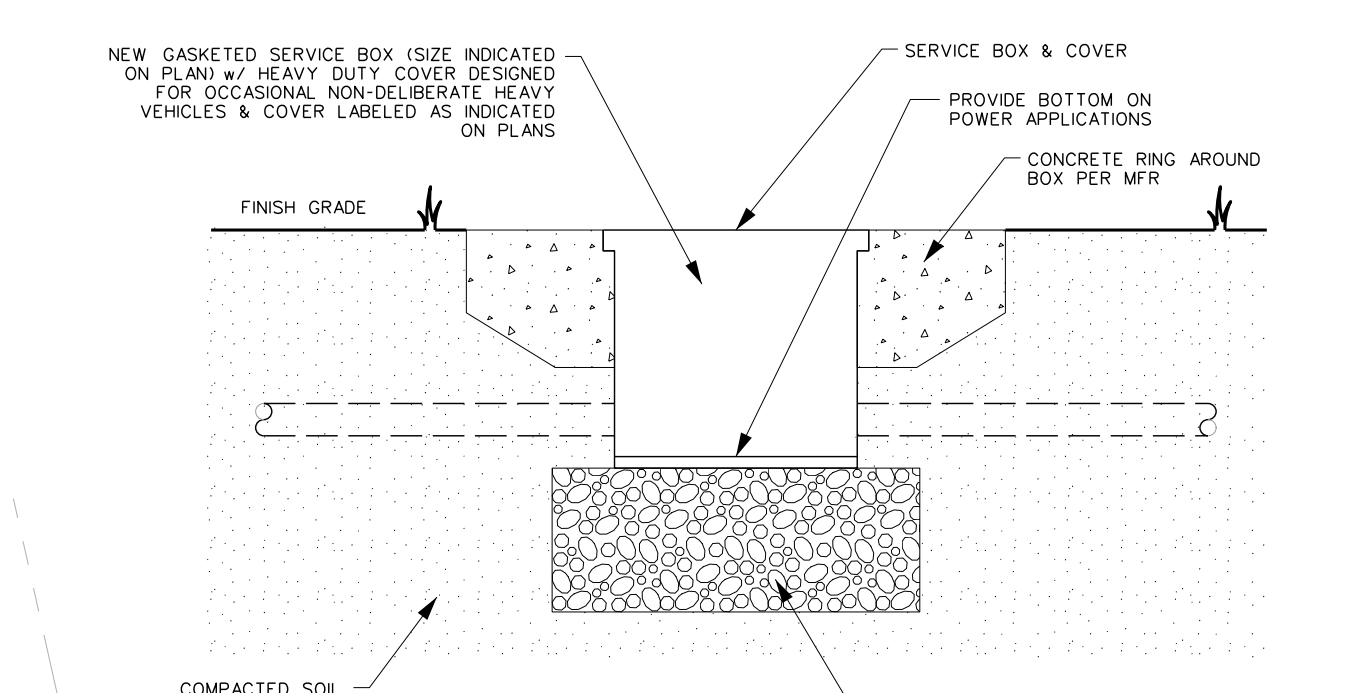
001.3 LIGHT POLE BASE DETAIL
SCALE: NONE



001.2 TEMPORARY POWER DETAIL
SCALE: NONE

SERVICE LOAD SUMMARY			
	CONNECTED	DEMAND	LOAD
LIGHTING (3VA/sqft)	426.9 kVA	1.25	533.7 kVA
RECEPTACLE (1VA/sqft)	142.3 kVA	1.0	142.3 kVA
HVAC	538.7 kVA	1.25	673.4 kVA
EWH	36.0 kW	1.0	36.0 kVA
KITCHEN	165.24 kW	1.0	165.24 kVA
TOTAL			1550.6 kVA
			1865.9 AMPS

480Y/277V, 3ph, 4W

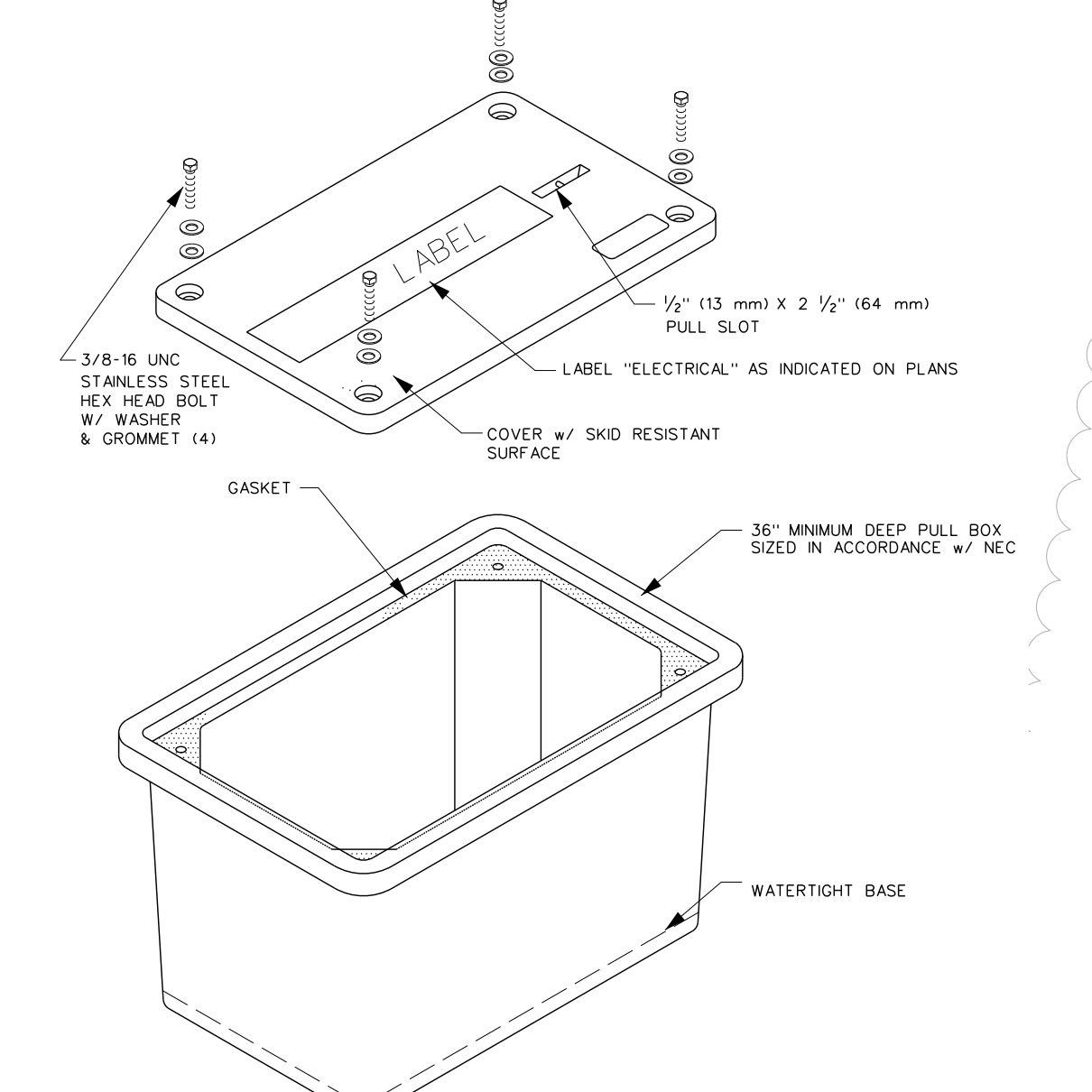


001.6 PULL BOX INSTALLATION DETAIL
SCALE: none

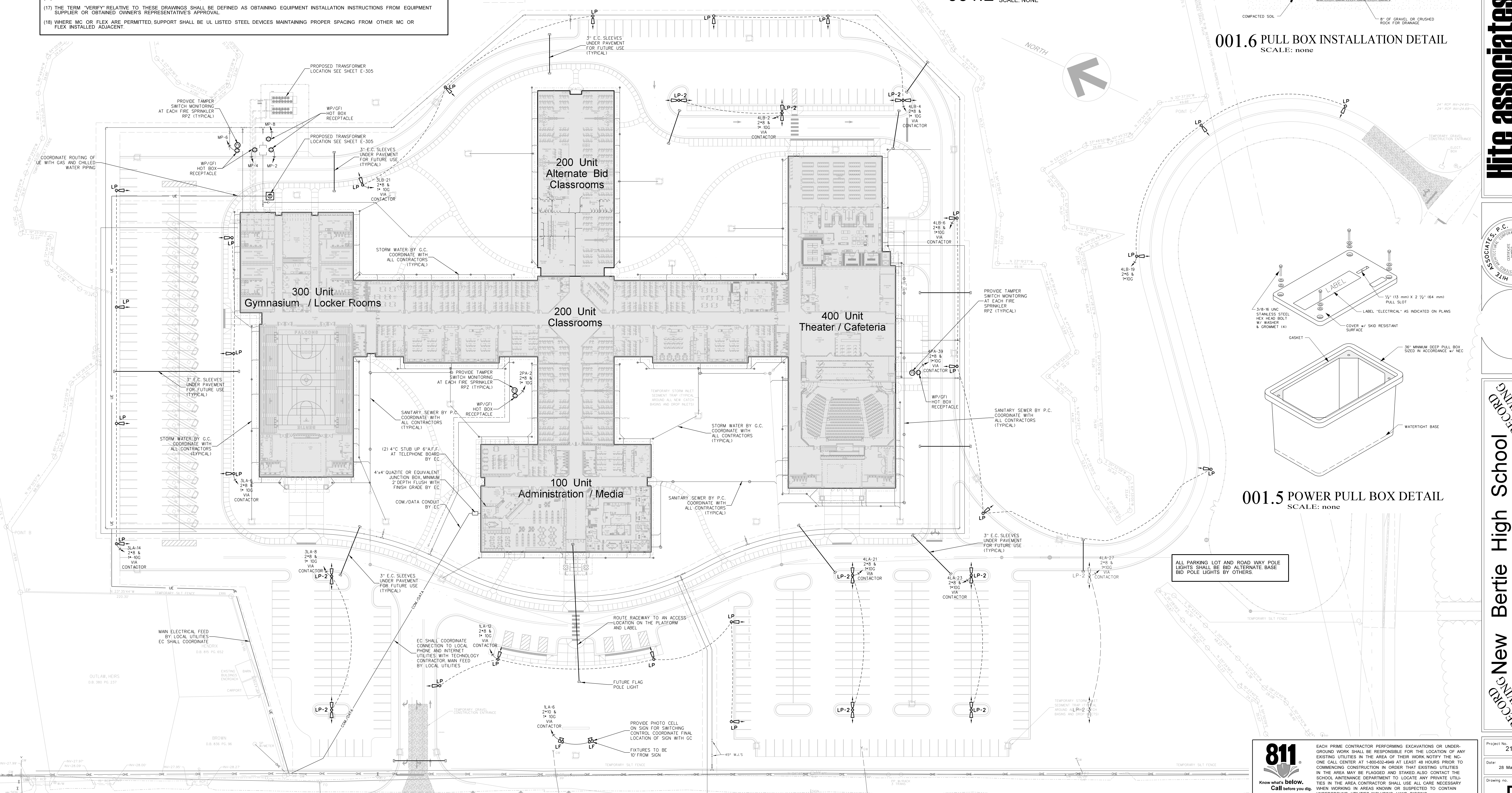
- NOTES:
- 1) PROVIDE TEMP BREAKER FROM MDP. PROVIDE NEW BREAKER AS REQUIRED.
 - 2) CONSTRUCTION TRAILER CONNECTION IS FURNISHED AT EXPENSE OF G.C.
 - 3) E.C. SHALL PROVIDE A 200 AMP MAIN SERVICE PANEL FOR TEMP POWER.
 - 4) ALL PANELS TO BE 240/120V, 1 PHASE, 3 WIRE.
 - 5) PROVIDE & MAINTAIN (4) 110V GFI/RCB RECEPTACLES AT EACH BUILDING.
 - 6) PROVIDE & MAINTAIN (1) 220V GFI/RCB RECEPTACLE AT EACH BUILDING.
 - 7) PROVIDE & MAINTAIN (1) 100W TEMP LIGHT FIXTURE AT 20' O.C. IN CORRIDORS AND OVER UTILITY PLATFORM; (1) 100W LIGHT AT ALL STAIRS EXTRA LIGHTING AT EXPENSE OF G.C.
 - 8) REMOVE TEMPORARY ELECTRICAL SYSTEMS AFTER PERMANENT POWER IS ACTIVATED PER CONSTRUCTION SCHEDULE.
 - 9) ALL CONTRACTORS SHALL MAINTAIN GFI PROTECTION UNTIL OWNER OCCUPIES BUILDING.

001.2 TEMPORARY POWER DETAIL
SCALE: NONE

001.6 PULL BOX INSTALLATION DETAIL
SCALE: none



001.5 POWER PULL BOX DETAIL
SCALE: none



001.1 ELECTRICAL SITE PLAN
SCALE: 1" = 40'-0"

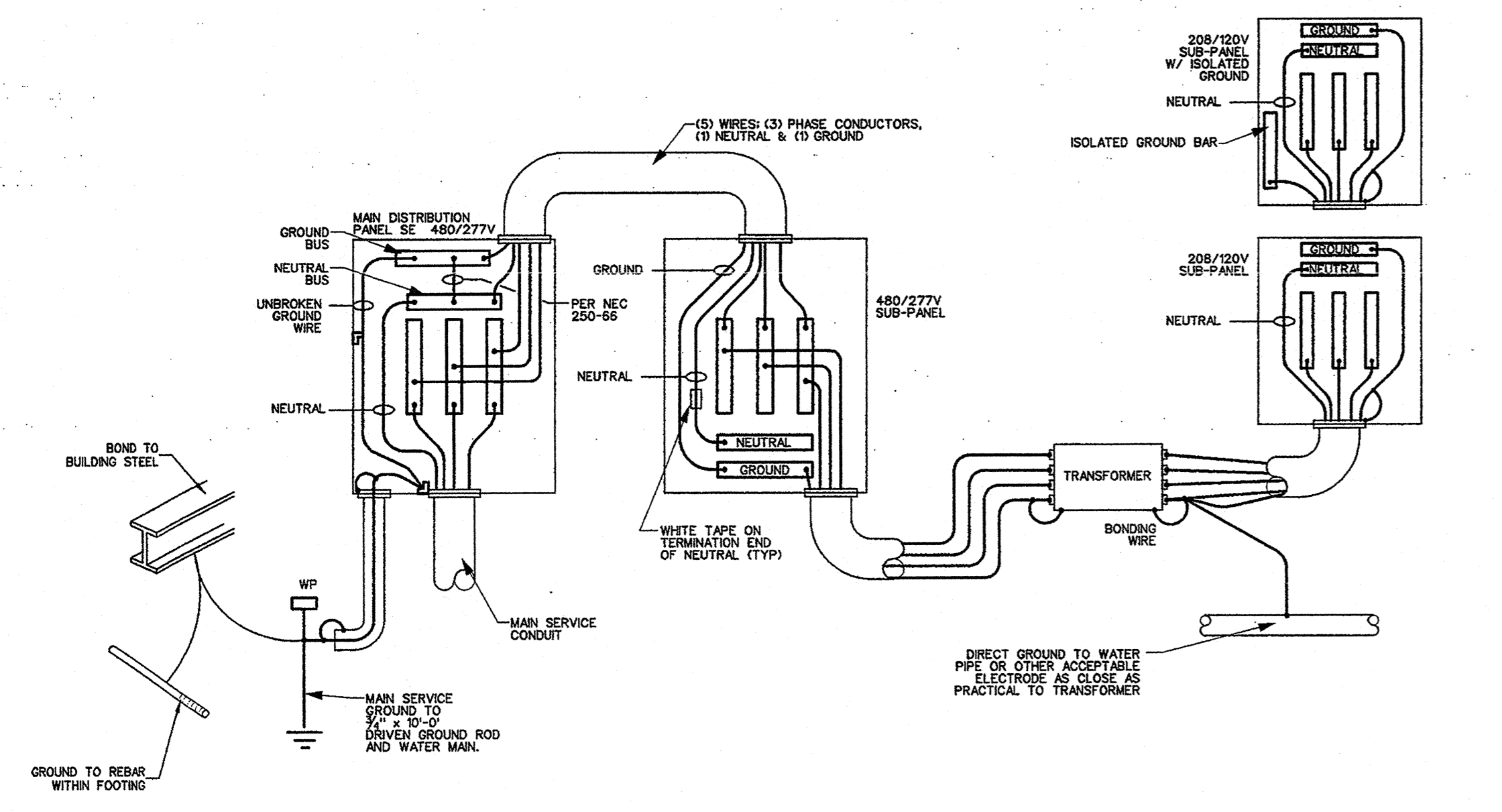
Hite associates
ARCHITECTURE / ENGINEERING / TECHNOLOGY
2600 Meridian Drive / Greenville, NC 27834 / Tel: (252) 751-0333

PROJECT NO. 21131
DATE: 28 March 2012
DRAWING NO. E 001

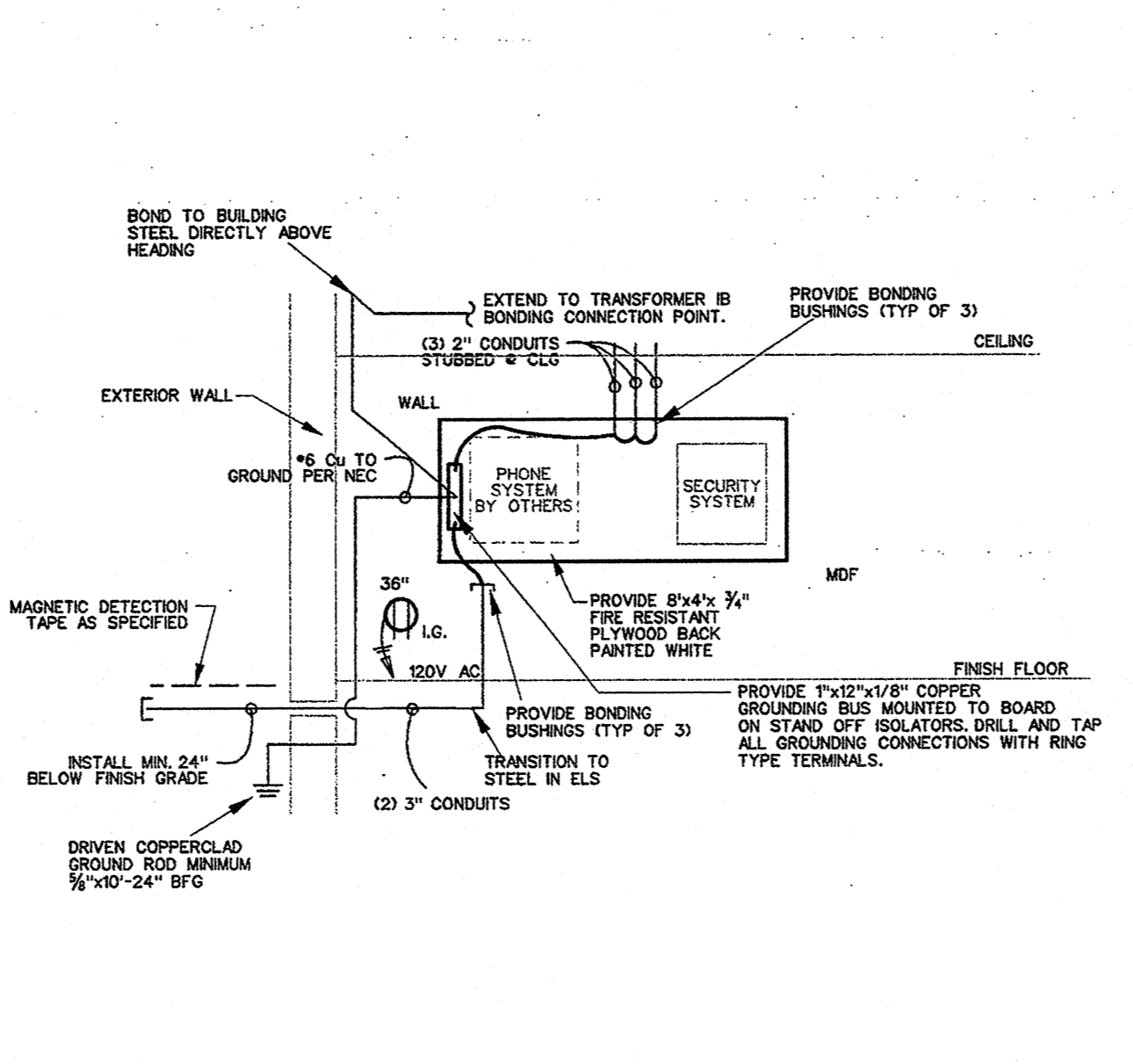
RECORD DRAWING
Bertie County Schools
716 US 13 North / NCDPS Unit 080 - School 312
Windsor / Bertie County / North Carolina

Each prime contractor performing excavations or underground work shall be responsible for the location of any existing utilities in the area of their work. NOTIFY THE ONE-CALL CENTER AT 1-800-632-4949 AT LEAST 48 HOURS PRIOR TO COMMENCING CONSTRUCTION IN ORDER THAT EXISTING UTILITIES IN THE AREA MAY BE FLAGGED AND STAKED. ALSO CONTACT THE SCHOOL MAINTENANCE DEPARTMENT TO LOCATE ANY PRIVATE UTILITIES IN THE AREA. CONTRACTOR SHALL USE ALL CARE NECESSARY WHEN WORKING IN AREAS KNOWN OR SUSPECTED TO CONTAIN UNDERGROUND UTILITIES, INCLUDING HAND DIGGING.

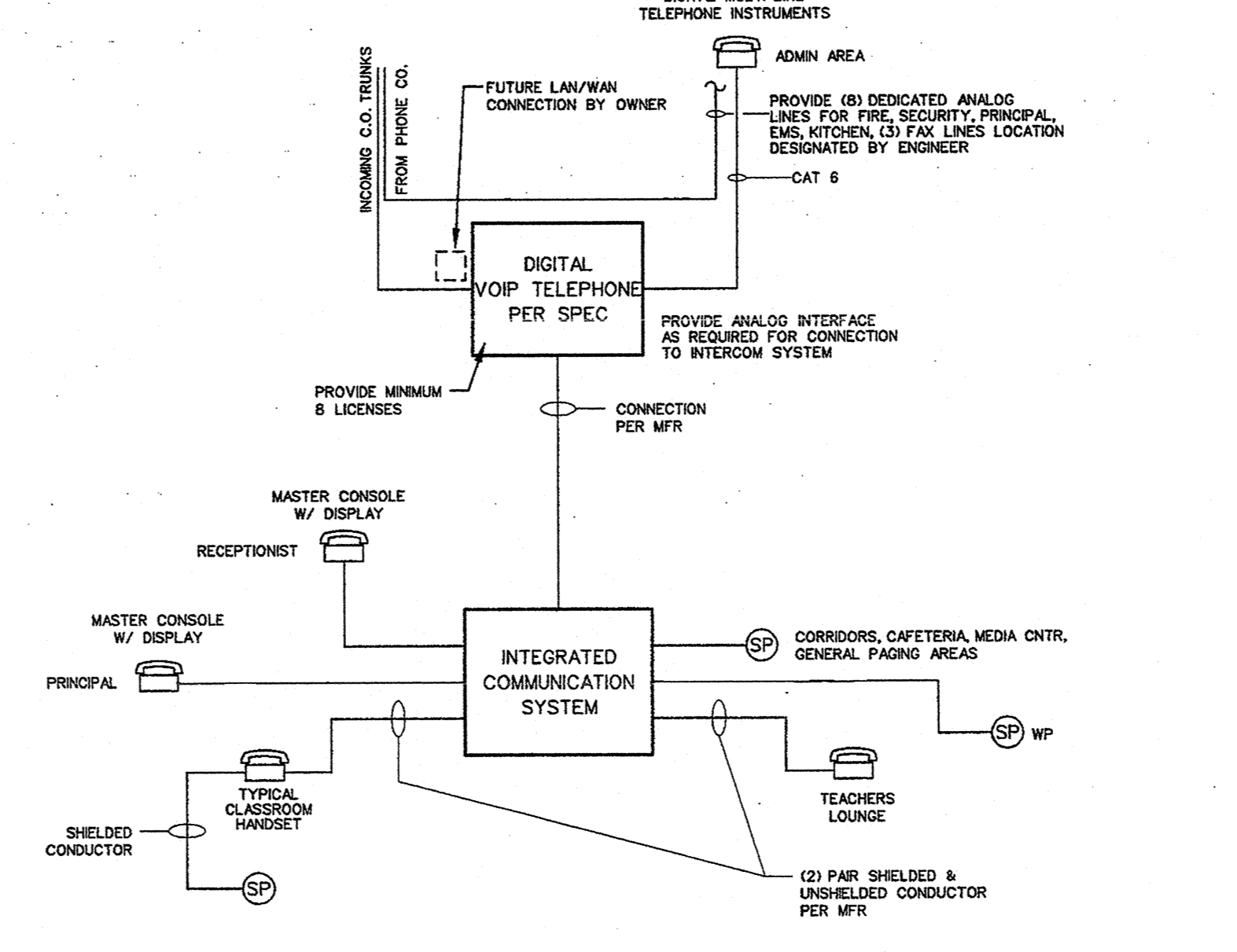
North Carolina One-Call Center



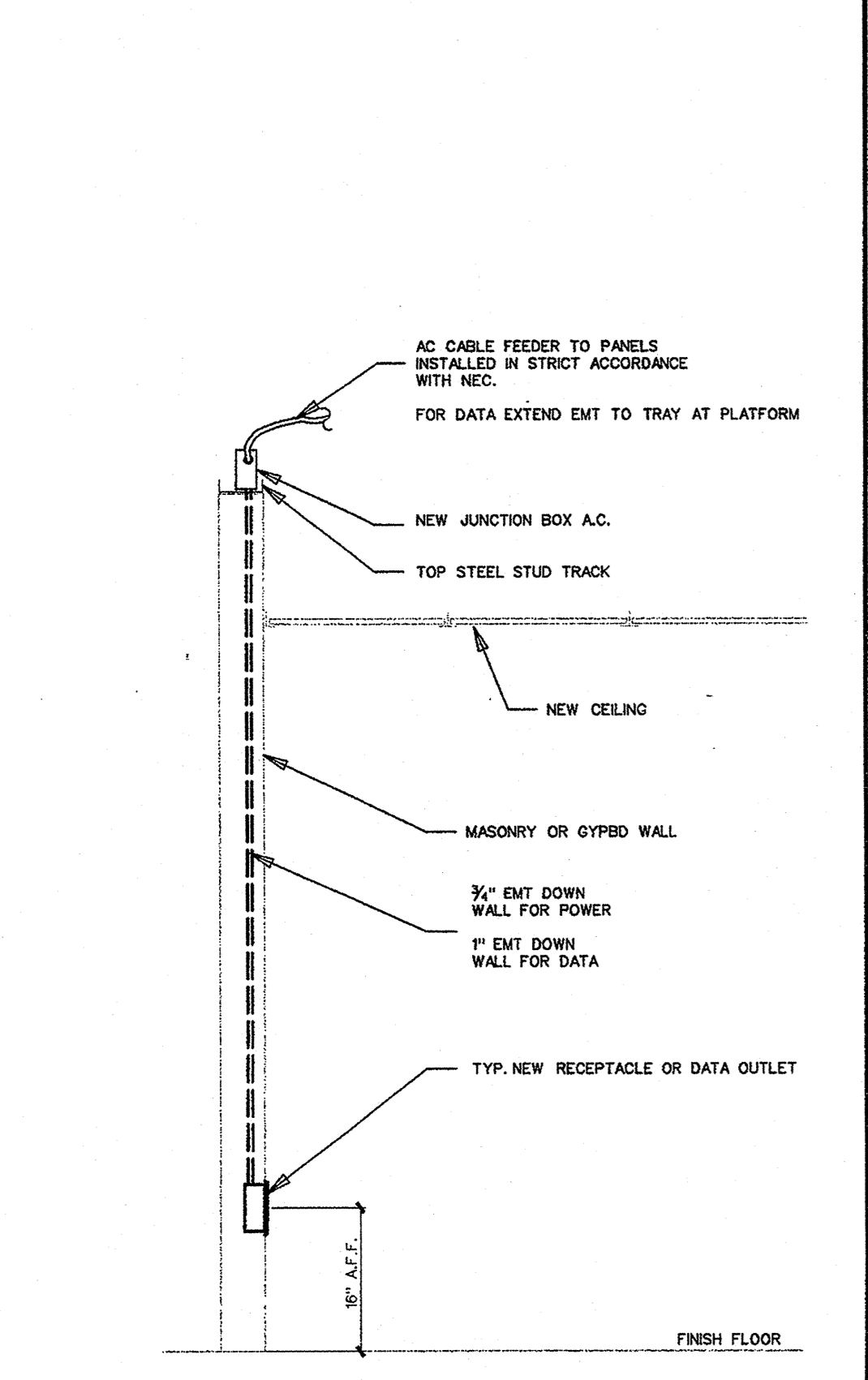
002.9 GROUNDING METHOD DIAGRAM 480-277V
SCALE: none



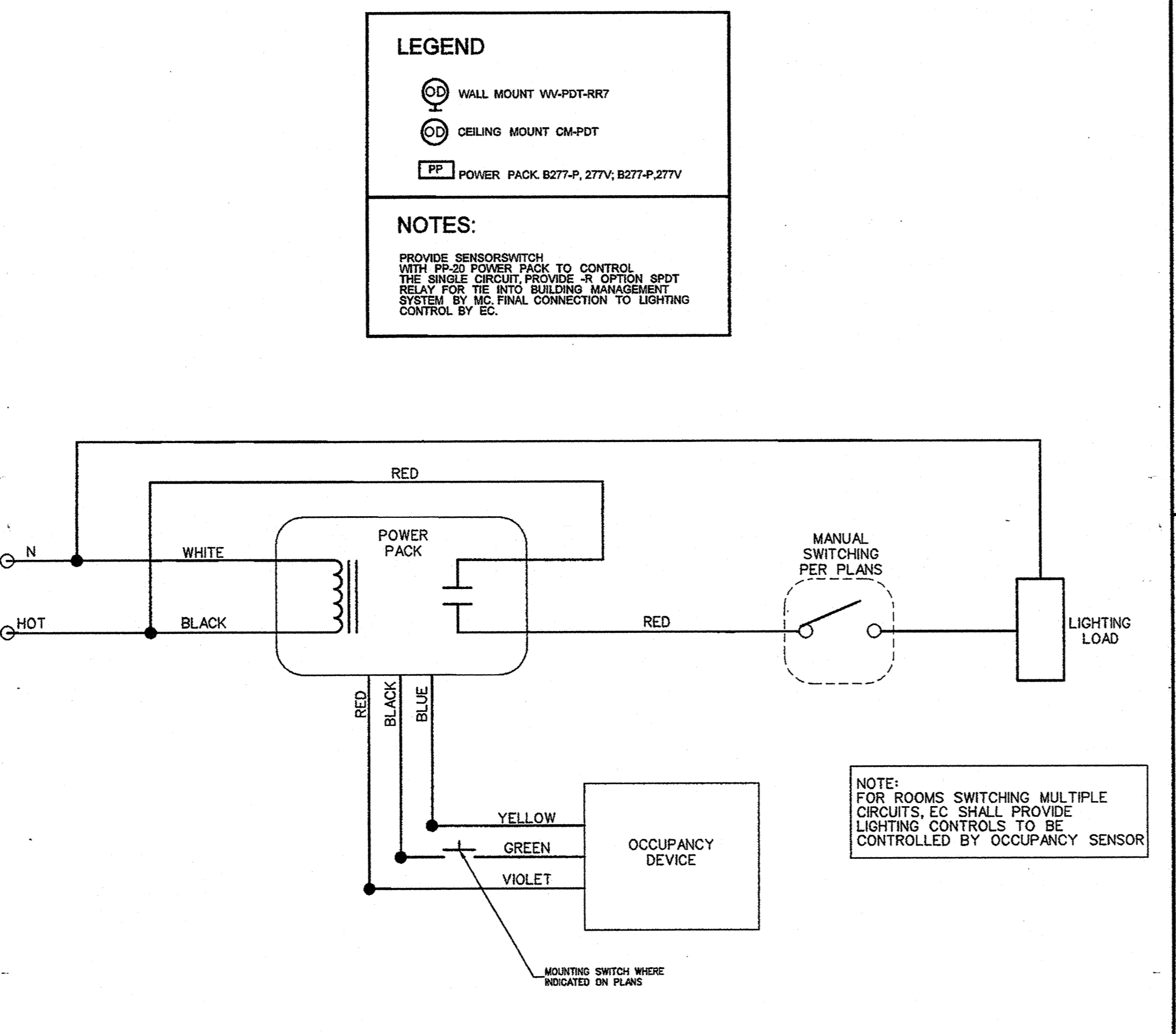
002.8 TELEPHONE SYSTEM RISER
SCALE: none



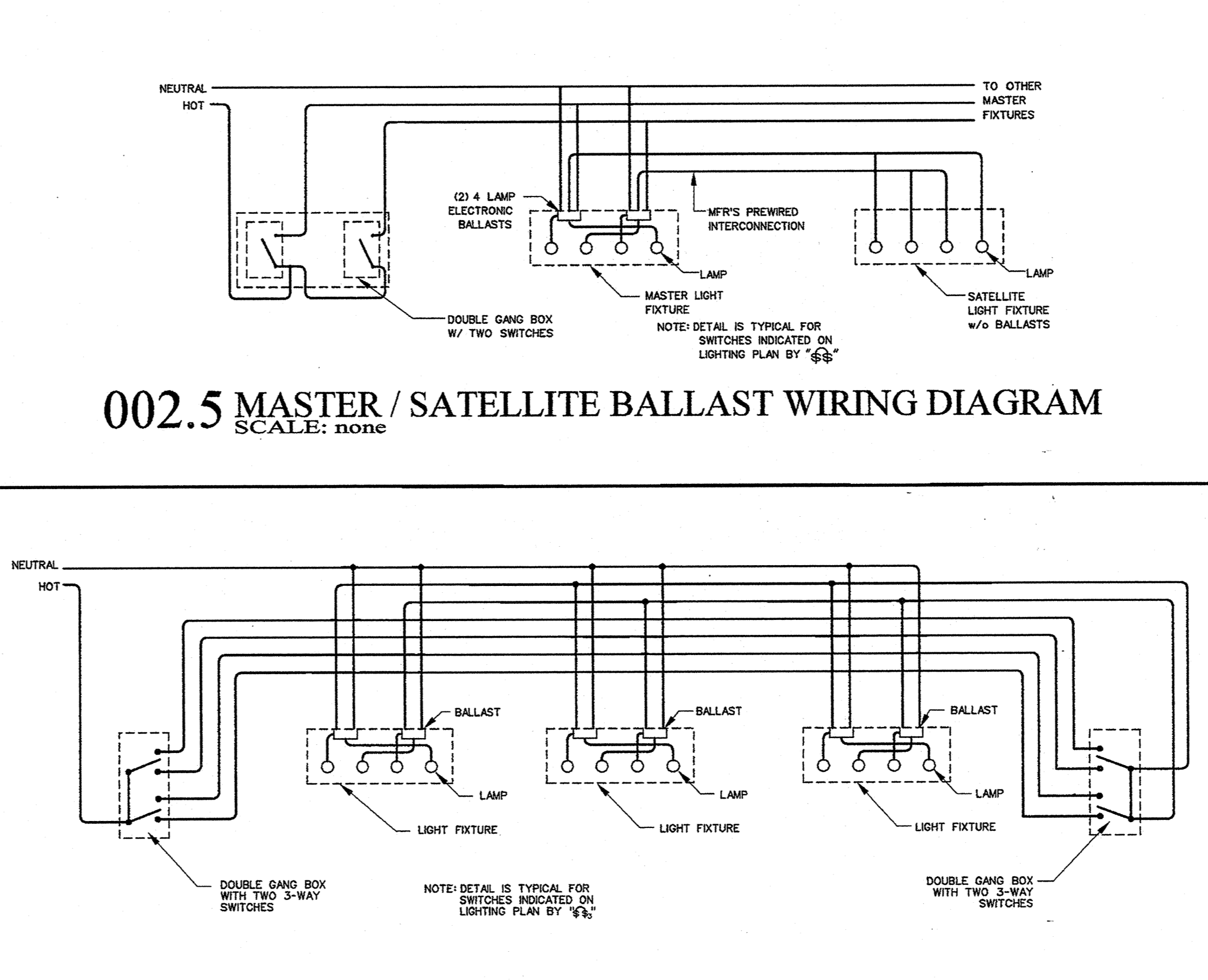
002.7 PHONE - INTERCOM RISER DIAGRAM
SCALE: none



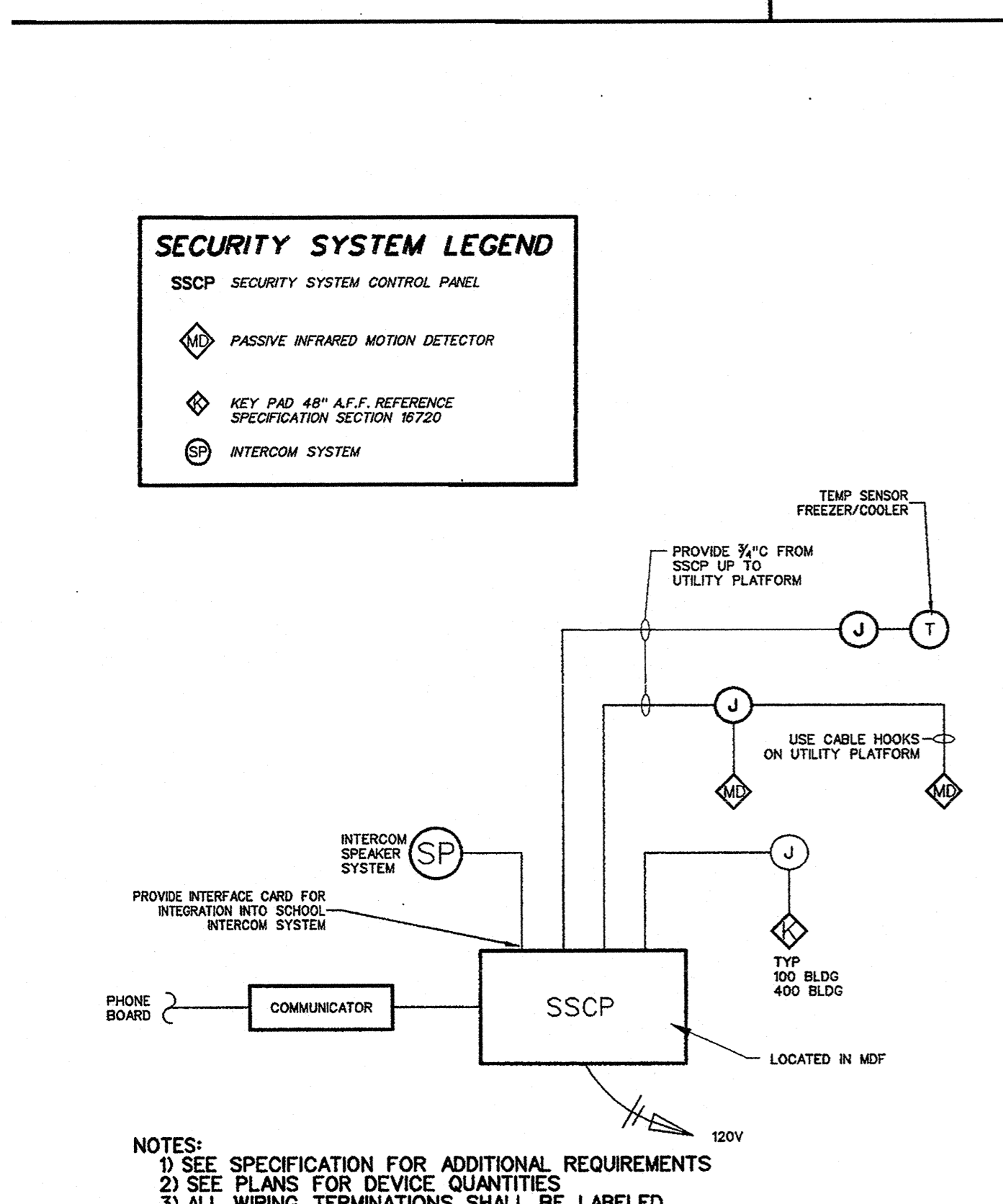
002.6 RACEWAY INSTALLATION
SCALE: none



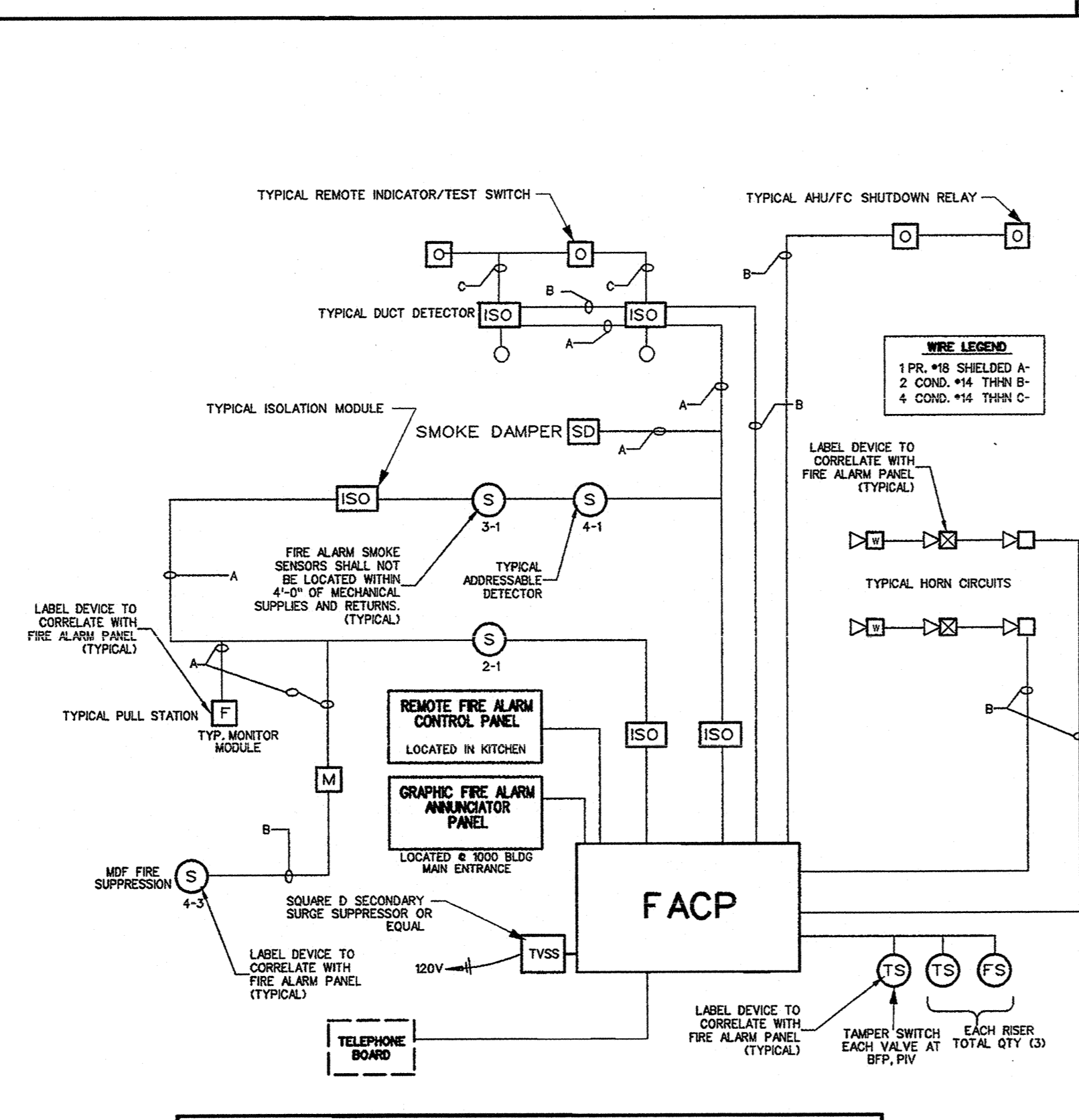
002.4 OCCUPANCY SENSOR CONTROL DIAGRAM
SCALE: none



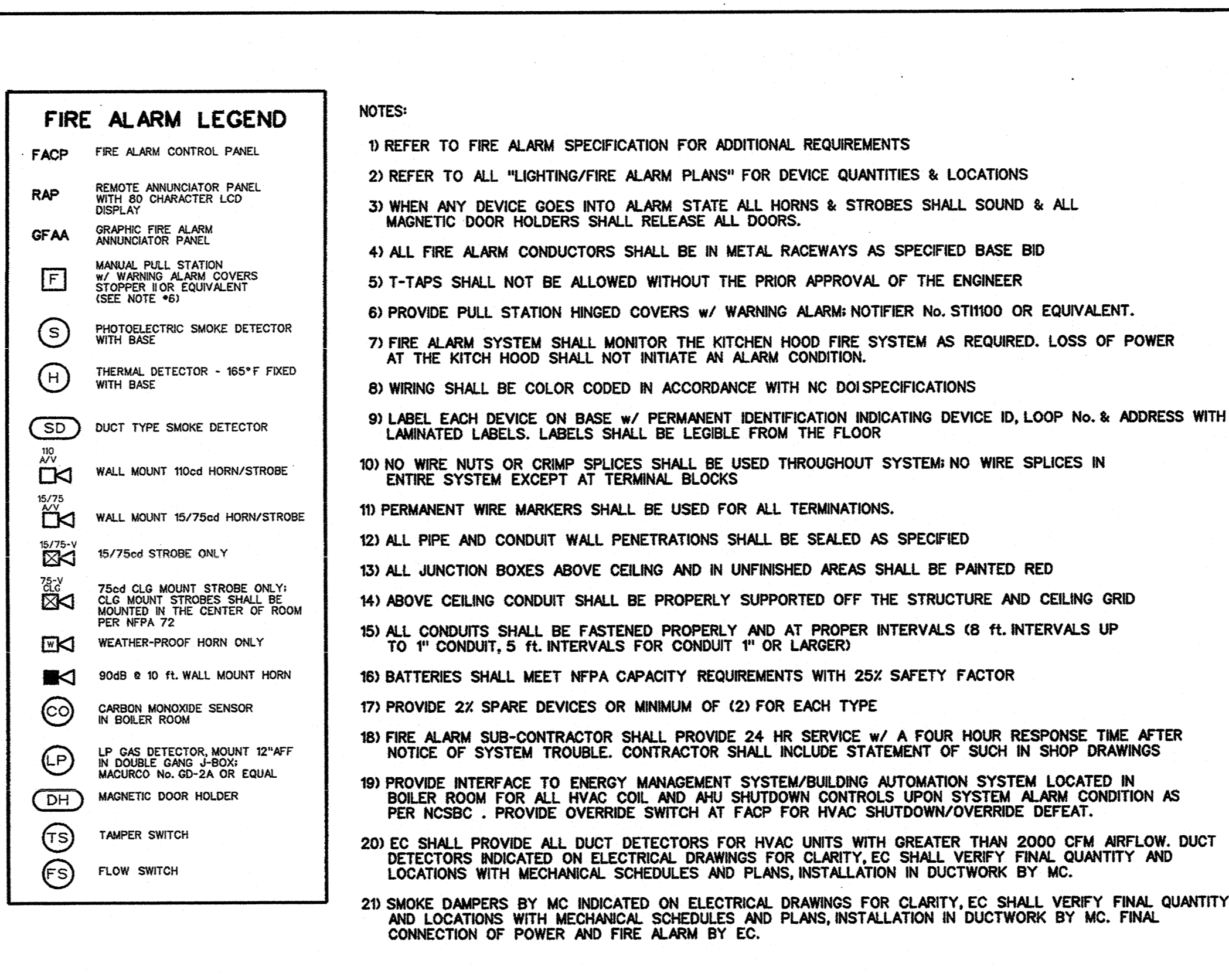
002.5 MASTER / SATELLITE BALLAST WIRING DIAGRAM
SCALE: none



002.2 SECURITY SYSTEM ALARM RISER DIAGRAM
SCALE: none



002.1 ADDRESSABLE FIRE ALARM RISER DIAGRAM
SCALE: none



002.3 SPLIT-BALLAST WIRING DETAIL FOR 3-WAY
SCALE: none

LIGHT FIXTURE SCHEDULE						
TYPE	DESCRIPTION	LAMPS	VOLTS	WATTS	B.F.	CATALOG NUMBER
A	2x4 LAY-IN FLUORESCENT FIXTURE w/ VIRON ACRYLIC LENS, FLAT STEEL DOOR, & (2) 2-LAMP ELECTRONIC BALLAST.	4-F32T8	277	106	.81	DAYBRITE No. 2708432-FS-01-V4-ED OR EQUIVALENT BY LITHONIA OR WILLIAMS
AM	2x4 MASTER FLUORESCENT FIXTURE w/ VIRON ACRYLIC LENS, FLAT STEEL DOOR, & (2) 4-LAMP ELECTRONIC BALLASTS; SEE SWITCHING DETAIL.	4-F32T8	277	106	.81	DAYBRITE No. 2708432-FS-01-V4-ED OR EQUIVALENT BY LITHONIA OR WILLIAMS; PROVIDE MINIMUM LENGTH OF CONNECTOR CABLE.
AS	2x4 LAY-IN SATELLITE FIXTURE w/ VIRON ACRYLIC LENS, FLAT STEEL DOOR, & UL LISTED BALLAST INTERCONNECTION CORD.	4-F32T8	277	106	.81	DAYBRITE No. 2708432-FS-01-V4-ED OR EQUIVALENT BY LITHONIA OR WILLIAMS
B	2x4 LAY-IN FLUORESCENT FIXTURE w/ VIRON ACRYLIC LENS, FLAT STEEL DOOR, & (2) 2-LAMP ELECTRONIC BALLAST & (2) 1-LAMP ELECTRONIC BALLAST; SEE SWITCHING DETAIL.	3-F32T8	277	88	.83	DAYBRITE No. 270332-FS-01-ED OR EQUIVALENT BY LITHONIA OR WILLIAMS
BM	2x4 LAY-IN FLUORESCENT FIXTURE w/ VIRON ACRYLIC LENS, FLAT STEEL DOOR, & (2) 2-LAMP ELECTRONIC BALLAST & (2) 1-LAMP ELECTRONIC BALLAST; SEE SWITCHING DETAIL.	3-F32T8	277	106	.81	DAYBRITE No. 2708432-FS-01-V4-ED OR EQUIVALENT BY LITHONIA OR WILLIAMS
BS	2x4 LAY-IN SATELLITE FIXTURE w/ VIRON ACRYLIC LENS, FLAT STEEL DOOR, & UL LISTED BALLAST INTERCONNECTION CORD.	3-F32T8	277	106	.81	DAYBRITE No. 2708432-FS-01-V4-ED OR EQUIVALENT BY LITHONIA OR WILLIAMS
BPM	FLUORESCENT TROFFER 2x4, 3" PARALOUVER SEM-SPECULAR ANODIZED LOW REFLECTANCE & (2) ENERGY SAVING ELECTRONIC BALLASTS FOR MASTER/SATELLITE WIRING; PROVIDE WITH INTEGRAL 1-SHM CLIPS.	3-F32T8	120	80	.83	DAYBRITE No. 2LP3032-36AL OR EQUIVALENT BY LITHONIA OR WILLIAMS
C	2x4 LAY-IN FLUORESCENT FIXTURE w/ VIRON ACRYLIC LENS, FLAT STEEL DOOR, & (2) 2-LAMP ELECTRONIC BALLASTS; SEE SWITCHING DETAIL.	2-F32T8	277	64	.92	DAYBRITE No. 270332-FS-01-ED OR EQUIVALENT BY LITHONIA OR WILLIAMS
CP	FLUORESCENT TROFFER 2x4, 3" PARALOUVER SEM-SPECULAR ANODIZED LOW REFLECTANCE & ENERGY SAVING ELECTRONIC BALLASTS FOR 2 LEVELS OF LIGHTING OR ENERGY SAVING ELECTRONIC BALLASTS FOR MASTER/SATELLITE WIRING; PROVIDE WITH INTEGRAL 1-SHM CLIPS.	2-F32T8	277	90	.83	DAYBRITE No. 2LP3032-36AL OR EQUIVALENT BY LITHONIA OR WILLIAMS
CG	1x4 FLUORESCENT FIXTURE w/ 1/2" MIN. VIRON ACRYLIC LENS, FLAT STEEL, TAMPER-PROOF DOOR, & (2) 2-LAMP ELECTRONIC BALLAST; WITH FLUSH MOUNTING FRAME FOR COP BRONZE CEILING; UL LISTED FOR DAMP LOCATION RATING.	2-F32T8	277	64	.92	DAYBRITE No. DP-332-18-UV-SEB OR EQUIVALENT BY LITHONIA OR WILLIAMS
D	6" ROUND RECESSED COMPACT FLUORESCENT DOWNLIGHT w/ SELF-LIPPED FINISH FLANGE, ELECTRONIC BALLAST, DE STAMPED PLASTER, FRAME ALUMITE & UL LISTED FOR WET LOCATIONS.	2-CF08W/G24	277	22	.88	CAPRI, CFBV180-U-277-PR02P OR EQUIVALENT BY LITHONIA OR OMEGA
D1	6" ROUND RECESSED COMPACT FLUORESCENT DOWNLIGHT w/ SELF-LIPPED FINISH FLANGE, ELECTRONIC BALLAST, DE STAMPED PLASTER, FRAME ALUMITE & UL LISTED FOR WET LOCATIONS.	2-CF08W/G24	277	22	.88	CAPRI, CFBV180-U-277-PR02P OR EQUIVALENT BY LITHONIA OR OMEGA
G2	OVERHEAD RAPTOR SERIES, EXTRUDED ALUMINA W/ SPECULAR OPTIC, 4" FIXTURE, WITH (2) 2 LAMP ELECTRONIC BALLASTS FOR TWO LEVEL LIGHTING, MULTI-TAP BALLAST, 0.25" PRISMATIC POLYCARBONATE LENS WITH WIRE GUARD AND COORD FLUSH WITH HOOD MOUNT.	2-F54	277	224	.81	LIGHT EDGE RAPTOR R4P-54-41W-CA OR EQUIVALENT BY LITHONIA OR WILLIAMS
G6	OVERHEAD RAPTOR SERIES, EXTRUDED ALUMINA W/ SPECULAR OPTIC, 4" FIXTURE, WITH (2) 2 LAMP ELECTRONIC BALLASTS FOR TWO LEVEL LIGHTING, MULTI-TAP BALLAST, 0.25" PRISMATIC POLYCARBONATE LENS WITH WIRE GUARD AND COORD FLUSH WITH HOOD MOUNT.	6-T5HO	277	336	.81	LIGHT EDGE RAPTOR R4P-54-41W-CA OR EQUIVALENT BY LITHONIA OR WILLIAMS
J	8" LONG SURFACE MOUNT STANDARD 4-LAMP STRIP LIGHT w/ HEAVY DUTY POLYESTER ENCASED DE-FORMED STEEL, HIGH REFLECTANCE WHITE BAKED ENAMEL FINISH & (2) 4-LAMP ELECTRONIC BALLAST IN DISPLAY CASES.	2-F32T8	277	120	.84	DAYBRITE No. T232-277-U-2 OR EQUIVALENT BY LITHONIA OR WILLIAMS
K	2x4 LAY-IN FLUORESCENT FIXTURE w/ 1/2" MIN. VIRON ACRYLIC LENS, FLAT STEEL DOOR, & (2) 2-LAMP ELECTRONIC BALLAST.	4-F32T8	277	106	.81	DAYBRITE No. 270432-FS-18-ED OR EQUIVALENT BY LITHONIA OR WILLIAMS
KM	2x4 LAY-IN FLUORESCENT FIXTURE w/ 1/2" MIN. VIRON ACRYLIC LENS, FLAT STEEL DOOR, & (2) 2-LAMP ELECTRONIC BALLAST FOR MASTER / SATELLITE SWITCHING.	4-F32T8	277	106	.81	DAYBRITE No. 270432-FS-18-ED OR EQUIVALENT BY LITHONIA OR WILLIAMS
LP-1	UL WET LOCATION LISTED POLE LIGHT FIXTURE PROVIDE 30 SQUARE STEEL POLE RATED FOR 100 MPH WIND w/ 1.3 GUST FACTOR; PROVIDE EPA CALCULATIONS WITH FIXTURE SUBMITTALS; DARK BRONZE FINISH.	1-400W M4	277V/PH	400	.88	THOMAS LIGHTING ENDO AVAILANCE R3, FULL CUTOFF FIXTURE WITH PLAT LENS OR EQUIVALENT BY LITHONIA; FOR SERIES OR WEIGHT SEE SHEET E-001 FOR LOCATION OF POLE
LP-2	UL WET LOCATION LISTED POLE LIGHT FIXTURE PROVIDE 30 SQUARE STEEL POLE RATED FOR 100 MPH WIND w/ 1.3 GUST FACTOR; PROVIDE EPA CALCULATIONS WITH FIXTURE SUBMITTALS; DARK BRONZE FINISH.	1-400W M4	277V/PH	400	.88	THOMAS LIGHTING ENDO AVAILANCE R3, FULL CUTOFF FIXTURE WITH PLAT LENS OR EQUIVALENT BY LITHONIA; FOR SERIES OR WEIGHT SEE SHEET E-001 FOR LOCATION OF POLE
LF	MICRO FLOOD LIGHT ON CONCRETE BASE w/ ALUMINA HOUSING, PHOTOCONTROL, TIPPED GLASS LENS, UL LISTED FOR WET LOCATIONS, 1" HPT SHIELD w/ BRANCH FOR IN GROUND/CONCRETE BURIAL MOUNTING, FINISH BY ARCH.	1-100W MH	277	92	.82	GARCOO No. DF-SP-1FL-100MH-277-POB-ST-9 OR EQUAL BY HUBBELL OR WILLIAMS
P1	HORIZONTAL BRASS METAL HUBBELL CORP LIGHT w/ HIGH REFLECTIVE SPECULAR HUBBELL ALUMINA HOUSING, BRONZE FINISH, MOISTURE RESISTANT LENS ENCLOSURE, AND UL LISTED FOR WET LOCATIONS.	1-320PH	277	320	.92	LMI No. HA-ES-320PH-18MM-MS-RC-CO-277 OR EQUAL BY DAYBRITE, LITHONIA OR WILLIAMS
R2	2" ALUMINA HOUSING FLUORESCENT LIGHT w/ 50-F WIRE GUARD.	2-F32T8	277	81	.92	DAYBRITE No. 1A-32F-PR-73 OR EQUAL BY LITHONIA OR WILLIAMS
SS	STANDARD STRIP FOR CONTINUOUS USE ROW INSTALLATION BY TYPE 'S' SINGLE LAMP.	2-F32T8	277	62	.64	DAYBRITE No. SSR-2-32-UV-ED OR EQUIVALENT BY LITHONIA OR WILLIAMS
SG	1x4 FLUORESCENT FIXTURE w/ 1/2" MIN. VIRON ACRYLIC LENS SEALED TO DOOR FRAME w/ TYPICALLY SEALED PERIMETER CASSETTE ONLY ALUMINA HOUSING, FLUSH ALUMINA GASKETED DOOR FRAME, UL LISTED WET LOCATIONS, (2) 2-LAMP ELECTRONIC BALLAST, w/ FLANGE MOUNTING FLUSH IN GYP BOARD CEILING.	2-F32T8	277	64	1.00	DAYBRITE No. 1-0W-F-32-F-A-08-19 OR EQUIVALENT BY LITHONIA OR WILLIAMS
WA	EXTERIOR WALL MOUNT CUT-OFF DOWN-LIGHT DESIGNED LUMINA w/ ALUMINA HOUSING, BRONZE FINISH, MOISTURE RESISTANT LENS ENCLOSURE, AND UL LISTED FOR WET LOCATIONS.	2-280F	277	52	0.85	GARCOO 100W MT 280P BRP WITH INTERNAL BATTERY BACKUP FOR EMERGENCY USE OR EQUAL BY HUBBELL OR LITHONIA
WB	EXTERIOR WALL MOUNT CUT-OFF DOWN-LIGHT DESIGNED LUMINA w/ ALUMINA HOUSING, BRONZE FINISH, MOISTURE RESISTANT LENS ENCLOSURE, AND UL LISTED FOR WET LOCATIONS.	1-100W MH	277	100	0.88	GARCOO 101 MT 100MH RRP OR EQUAL BY HUBBELL OR LITHONIA
WF	EXTERIOR CANOPY MOUNT HALF CYLINDER SCONCE LUMINA w/ ALUMINA HOUSING, BRONZE FINISH, MOISTURE RESISTANT LENS ENCLOSURE, AND UL LISTED FOR WET LOCATIONS. WFA - INTERIOR CORRIDOR w/ EXTERIOR.	WF-1100H MH	277	100	1.73	GARCOO 93-MTLD 277 OR EQUAL BY HUBBELL OR LITHONIA, COLOR SELECTED BY ARCHITECT.
WS	EXTERIOR CANOPY MOUNT CUT-OFF DOWN-LIGHT DESIGNED LUMINA w/ ALUMINA HOUSING, BRONZE FINISH, MOISTURE RESISTANT LENS ENCLOSURE, AND UL LISTED FOR WET LOCATIONS.	2-13W CF	277V	26	0.88	MARLBEN No. 064-CR-TP OR EQUAL BY DAYBRITE HUBBELL OR HOLESPAN
WV	2 1/2" SURFACE MOUNT, 1/2" ROUND BATTERY OPERATED (AA) QUARTZ CRYSTAL ANALOG CLOCK w/ IMPACT-RESISTANT CASE & SHATTERPROOF LENS.	N/A	1.5V DC	N/A	N/A	EMPLEY No. 630-8422 OR EQUAL BY DUKANE OR RAILWAY
WY	INDVA SERIES CEILING/WALL MOUNTED LED EXIT LIGHT CONFORMING TO NFPA 101 STANDARDS, w/ BATTERY & FUSE; TYPE CHARGED SELF-DIAGNOSTIC; A TEST CYCLE THAT DOES NOT DISCHARGE THE BATTERY EVERY 20 DAYS MINIMUM, SELF-CONTAINED, DOUBLE OR SINGLE WHITE FANGLASS/ROBY PLOT & STATUS INDICATING LIGHTS, TEST SWITCH, BROWNIOUT POWER PROTECTION, & 90 MIN EMERGENCY RUN TIME; EXIT SIGN SHALL HAVE 5 YEAR WARRANTY PLUS 7 PRO-DATA YEAR BATTERY WARRANTY - (SEE NOTE 5.)	RED LED 2-9W H.L.T.	277V/6V	2	N/A	PATHWAY No. XR-LT OR EQUAL BY DUAL-LITE OR LITHONIA
WZ	WALL MOUNTED LED EXIT LIGHT CONFORMING TO NFPA 101 STANDARDS, w/ BATTERY AND FUSE TYPE CHARGED SELF-DIAGNOSTIC; A TEST CYCLE THAT DOES NOT DISCHARGE THE BATTERY EVERY 20 DAYS MINIMUM, SELF-CONTAINED, DOUBLE OR SINGLE WHITE FANGLASS/ROBY PLOT & STATUS INDICATING LIGHTS, TEST SWITCH, BROWNIOUT POWER PROTECTION, & 90 MIN EMERGENCY RUN TIME; EXIT SIGN SHALL HAVE 5 YEAR WARRANTY PLUS 7 PRO-DATA YEAR BATTERY WARRANTY - (SEE NOTE 5.)	RED LED 2-9W H.L.T.	277V/6V	2	N/A	PATHWAY EMERGENCY EXIT ONLY No. 15XCR-123R w/ OR EQUAL BY DUAL-LITE OR LITHONIA SEE NOTE 5.
WAA	WALL MOUNTED LED EXIT LIGHT CONFORMING TO NFPA 101 STANDARDS, w/ BATTERY AND FUSE TYPE CHARGED SELF-DIAGNOSTIC; A TEST CYCLE THAT DOES NOT DISCHARGE THE BATTERY EVERY 20 DAYS MINIMUM, SELF-CONTAINED, DOUBLE OR SINGLE WHITE FANGLASS/ROBY PLOT & STATUS INDICATING LIGHTS, TEST SWITCH, BROWNIOUT POWER PROTECTION, & 90 MIN EMERGENCY RUN TIME; EXIT SIGN SHALL HAVE 5 YEAR WARRANTY PLUS 7 PRO-DATA YEAR BATTERY WARRANTY - (SEE NOTE 5.)	RED LED 2-9W H.L.T.	277V/6V	2	N/A	EMERLITE No. LED-8-8W-K12-R-28P-PPD OR EQUAL BY LITHONIA OR DUAL-LITE
WAB	WALL MOUNTED LED EXIT LIGHT CONFORMING TO NFPA 101 STANDARDS, w/ BATTERY AND FUSE TYPE CHARGED SELF-DIAGNOSTIC; A TEST CYCLE THAT DOES NOT DISCHARGE THE BATTERY EVERY 20 DAYS MINIMUM, SELF-CONTAINED, DOUBLE OR SINGLE WHITE FANGLASS/ROBY PLOT & STATUS INDICATING LIGHTS, TEST SWITCH, BROWNIOUT POWER PROTECTION, & 90 MIN EMERGENCY RUN TIME; EXIT SIGN SHALL HAVE 5 YEAR WARRANTY PLUS 7 PRO-DATA YEAR BATTERY WARRANTY - (SEE NOTE 5.)	RED LED 2-9W H.L.T.	277V/6V	2	N/A	PATHWAY No. A2-2-L OR EQUAL BY DUAL-LITE OR LITHONIA SEE NOTE 5.
WAC	WALL MOUNTED LED EXIT LIGHT CONFORMING TO NFPA 101 STANDARDS, w/ BATTERY AND FUSE TYPE CHARGED SELF-DIAGNOSTIC; A TEST CYCLE THAT DOES NOT DISCHARGE THE BATTERY EVERY 20 DAYS MINIMUM, SELF-CONTAINED, DOUBLE OR SINGLE WHITE FANGLASS/ROBY PLOT & STATUS INDICATING LIGHTS, TEST SWITCH, BROWNIOUT POWER PROTECTION, & 90 MIN EMERGENCY RUN TIME; EXIT SIGN SHALL HAVE 5 YEAR WARRANTY PLUS 7 PRO-DATA YEAR BATTERY WARRANTY - (SEE NOTE 5.)	RED LED 2-9W H.L.T.	277V/6V	2	N/A	PATHWAY No. A2-2-L-PLR4X OR EQUAL BY DUAL-LITE OR LITHONIA SEE NOTE 5.
WAD	WALL MOUNTED LED EXIT LIGHT CONFORMING TO NFPA 101 STANDARDS, w/ BATTERY AND FUSE TYPE CHARGED SELF-DIAGNOSTIC; A TEST CYCLE THAT DOES NOT DISCHARGE THE BATTERY EVERY 20 DAYS MINIMUM, SELF-CONTAINED, DOUBLE OR SINGLE WHITE FANGLASS/ROBY PLOT & STATUS INDICATING LIGHTS, TEST SWITCH, BROWNIOUT POWER PROTECTION, & 90 MIN EMERGENCY RUN TIME; EXIT SIGN SHALL HAVE 5 YEAR WARRANTY PLUS 7 PRO-DATA YEAR BATTERY WARRANTY - (SEE NOTE 5.)	RED LED 2-9W H.L.T.	277V/6V	2	N/A	PATHWAY No. A2-2-L-PLR4X OR EQUAL BY DUAL-LITE OR LITHONIA SEE NOTE 5.
WAE	WALL MOUNTED LED EXIT LIGHT CONFORMING TO NFPA 101 STANDARDS, w/ BATTERY AND FUSE TYPE CHARGED SELF-DIAGNOSTIC; A TEST CYCLE THAT DOES NOT DISCHARGE THE BATTERY EVERY 20 DAYS MINIMUM, SELF-CONTAINED, DOUBLE OR SINGLE WHITE FANGLASS/ROBY PLOT & STATUS INDICATING LIGHTS, TEST SWITCH, BROWNIOUT POWER PROTECTION, & 90 MIN EMERGENCY RUN TIME; EXIT SIGN SHALL HAVE 5 YEAR WARRANTY PLUS 7 PRO-DATA YEAR BATTERY WARRANTY - (SEE NOTE 5.)	RED LED 2-9W H.L.T.	277V/6V	2	N/A	PATHWAY No. A2-2-L-PLR4X OR EQUAL BY DUAL-LITE OR LITHONIA SEE NOTE 5.
WAF	WALL MOUNTED LED EXIT LIGHT CONFORMING TO NFPA 101 STANDARDS, w/ BATTERY AND FUSE TYPE CHARGED SELF-DIAGNOSTIC; A TEST CYCLE THAT DOES NOT DISCHARGE THE BATTERY EVERY 20 DAYS MINIMUM, SELF-CONTAINED, DOUBLE OR SINGLE WHITE FANGLASS/ROBY PLOT & STATUS INDICATING LIGHTS, TEST SWITCH, BROWNIOUT POWER PROTECTION, & 90 MIN EMERGENCY RUN TIME; EXIT SIGN SHALL HAVE 5 YEAR WARRANTY PLUS 7 PRO-DATA YEAR BATTERY WARRANTY - (SEE NOTE 5.)	RED LED 2-9W H.L.T.	277V/6V	2	N/A	PATHWAY No. A2-2-L-PLR4X OR EQUAL BY DUAL-LITE OR LITHONIA SEE NOTE 5.
WAG	WALL MOUNTED LED EXIT LIGHT CONFORMING TO NFPA 101 STANDARDS, w/ BATTERY AND FUSE TYPE CHARGED SELF-DIAGNOSTIC; A TEST CYCLE THAT DOES NOT DISCHARGE THE BATTERY EVERY 20 DAYS MINIMUM, SELF-CONTAINED, DOUBLE OR SINGLE WHITE FANGLASS/ROBY PLOT & STATUS INDICATING LIGHTS, TEST SWITCH, BROWNIOUT POWER PROTECTION, & 90 MIN EMERGENCY RUN TIME; EXIT SIGN SHALL HAVE 5 YEAR WARRANTY PLUS 7 PRO-DATA YEAR BATTERY WARRANTY - (SEE NOTE 5.)	RED LED 2-9W H.L.T.	277V/6V	2	N/A	PATHWAY No. A2-2-L-PLR4X OR EQUAL BY DUAL-LITE OR LITHONIA SEE NOTE 5.
WAH	WALL MOUNTED LED EXIT LIGHT CONFORMING TO NFPA 101 STANDARDS, w/ BATTERY AND FUSE TYPE CHARGED SELF-DIAGNOSTIC; A TEST CYCLE THAT DOES NOT DISCHARGE THE BATTERY EVERY 20 DAYS MINIMUM, SELF-CONTAINED, DOUBLE OR SINGLE WHITE FANGLASS/ROBY PLOT & STATUS INDICATING LIGHTS, TEST SWITCH, BROWNIOUT POWER PROTECTION, & 90 MIN EMERGENCY RUN TIME; EXIT SIGN SHALL HAVE 5 YEAR WARRANTY PLUS 7 PRO-DATA YEAR BATTERY WARRANTY - (SEE NOTE 5.)	RED LED 2-9W H.L.T.	277V/6V	2	N/A	PATHWAY No. A2-2-L-PLR4X OR EQUAL BY DUAL-LITE OR LITHONIA SEE NOTE 5.
WAI	WALL MOUNTED LED EXIT LIGHT CONFORMING TO NFPA 101 STANDARDS, w/ BATTERY AND FUSE TYPE CHARGED SELF-DIAGNOSTIC; A TEST CYCLE THAT DOES NOT DISCHARGE THE BATTERY EVERY 20 DAYS MINIMUM, SELF-CONTAINED, DOUBLE OR SINGLE WHITE FANGLASS/ROBY PLOT & STATUS INDICATING LIGHTS, TEST SWITCH, BROWNIOUT POWER PROTECTION, & 90 MIN EMERGENCY RUN TIME; EXIT SIGN SHALL HAVE 5 YEAR WARRANTY PLUS 7 PRO-DATA YEAR BATTERY WARRANTY - (SEE NOTE 5.)	RED LED 2-9W H.L.T.	277V/6V	2	N/A	PATHWAY No. A2-2-L-PLR4X OR EQUAL BY DUAL-LITE OR LITHONIA SEE NOTE 5.
WAJ	WALL MOUNTED LED EXIT LIGHT CONFORMING TO NFPA 101 STANDARDS, w/ BATTERY AND FUSE TYPE CHARGED SELF-DIAGNOSTIC; A TEST CYCLE THAT DOES NOT DISCHARGE THE BATTERY EVERY 20 DAYS MINIMUM, SELF-CONTAINED, DOUBLE OR SINGLE WHITE FANGLASS/ROBY PLOT & STATUS INDICATING LIGHTS, TEST SWITCH, BROWNIOUT POWER PROTECTION, & 90 MIN EMERGENCY RUN TIME; EXIT SIGN SHALL HAVE 5 YEAR WARRANTY PLUS 7 PRO-DATA YEAR BATTERY WARRANTY - (SEE NOTE 5.)	RED LED 2-9W H.L.T.	277V/6V	2	N/A	PATHWAY No. A2-2-L-PLR4X OR EQUAL BY DUAL-LITE OR LITHONIA SEE NOTE 5.
WAK	WALL MOUNTED LED EXIT LIGHT CONFORMING TO NFPA 101 STANDARDS, w/ BATTERY AND FUSE TYPE CHARGED SELF-DIAGNOSTIC; A TEST CYCLE THAT DOES NOT DISCHARGE THE BATTERY EVERY 20 DAYS MINIMUM, SELF-CONTAINED, DOUBLE OR SINGLE WHITE FANGLASS/ROBY PLOT & STATUS INDICATING LIGHTS, TEST SWITCH, BROWNIOUT POWER PROTECTION, & 90 MIN EMERGENCY RUN TIME; EXIT SIGN SHALL HAVE 5 YEAR WARRANTY PLUS 7 PRO-DATA YEAR BATTERY WARRANTY - (SEE NOTE 5.)	RED LED 2-9W H.L.T.	277V/6V	2	N/A	PATHWAY No. A2-2-L-PLR4X OR EQUAL BY DUAL-LITE OR LITHONIA SEE NOTE 5.
WAL	WALL MOUNTED LED EXIT LIGHT CONFORMING TO NFPA 101 STANDARDS, w/ BATTERY AND FUSE TYPE CHARGED SELF-DIAGNOSTIC; A TEST CYCLE THAT DOES NOT DISCHARGE THE BATTERY EVERY 20 DAYS MINIMUM, SELF-CONTAINED, DOUBLE OR SINGLE WHITE FANGLASS/ROBY PLOT & STATUS INDICATING LIGHTS, TEST SWITCH, BROWNIOUT POWER PROTECTION, & 90 MIN EMERGENCY RUN TIME; EXIT SIGN SHALL HAVE 5 YEAR WARRANTY PLUS 7 PRO-DATA YEAR BATTERY WARRANTY - (SEE NOTE 5.)	RED LED 2-9W H.L.T.	277V/6V	2	N/A	PATHWAY No. A2-2-L-PLR4X OR EQUAL BY DUAL-LITE OR LITHONIA SEE NOTE 5.
WAM	WALL MOUNTED LED EXIT LIGHT CONFORMING TO NFPA 101 STANDARDS, w/ BATTERY AND FUSE TYPE CHARGED SELF-DIAGNOSTIC; A TEST CYCLE THAT DOES NOT DISCHARGE THE BATTERY EVERY 20 DAYS MINIMUM, SELF-CONTAINED, DOUBLE OR SINGLE WHITE FANGLASS/ROBY PLOT & STATUS INDICATING LIGHTS, TEST SWITCH, BROWNIOUT POWER PROTECTION, & 90 MIN EMERGENCY RUN TIME; EXIT SIGN SHALL HAVE 5 YEAR WARRANTY PLUS 7 PRO-DATA YEAR BATTERY WARRANTY - (SEE NOTE 5.)	RED LED 2-9W H.L.T.	277V/6V	2	N/A	PATHWAY No. A2-2-L-PLR4X OR EQUAL BY DUAL-LITE OR LITHONIA SEE NOTE 5.
WAN	WALL MOUNTED LED EXIT LIGHT CONFORMING TO NFPA 101 STANDARDS, w/ BATTERY AND FUSE TYPE CHARGED SELF-DIAGNOSTIC; A TEST CYCLE THAT DOES NOT DISCHARGE THE BATTERY EVERY 20 DAYS MINIMUM, SELF-CONTAINED, DOUBLE OR SINGLE WHITE FANGLASS/ROBY PLOT & STATUS INDICATING LIGHTS, TEST SWITCH, BROWNIOUT POWER PROTECTION, & 90 MIN EMERGENCY RUN TIME; EXIT SIGN SHALL HAVE 5 YEAR WARRANTY PLUS 7 PRO-DATA YEAR BATTERY WARRANTY - (SEE NOTE 5.)	RED LED 2-9W H.L.T.	277V/6V	2	N/A	PATHWAY No. A2-2-L-PLR4X OR EQUAL BY DUAL-LITE OR LITHONIA SEE NOTE 5.
WAO	WALL MOUNTED LED EXIT LIGHT CONFORMING TO NFPA 101 STANDARDS, w/ BATTERY AND FUSE TYPE CHARGED SELF-DIAGNOSTIC; A TEST CYCLE THAT DOES NOT DISCHARGE THE BATTERY EVERY 20 DAYS MINIMUM, SELF-CONTAINED, DOUBLE OR SINGLE WHITE FANGLASS/ROBY PLOT & STATUS INDICATING LIGHTS, TEST SWITCH, BROWNIOUT POWER PROTECTION, & 90 MIN EMERGENCY RUN TIME; EXIT SIGN SHALL HAVE 5 YEAR WARRANTY PLUS 7 PRO-DATA YEAR BATTERY WARRANTY - (SEE NOTE 5.)	RED LED 2-9W H.L.T.	277V/6V	2	N/A	PATHWAY No. A2-2-L-PLR4X OR EQUAL BY DUAL-LITE OR LITHONIA SEE NOTE 5.
WAP	WALL MOUNTED LED EXIT LIGHT CONFORMING TO NFPA 101 STANDARDS, w/ BATTERY AND FUSE TYPE CHARGED SELF-DIAGNOSTIC; A TEST CYCLE THAT DOES NOT DISCHARGE THE BATTERY EVERY 20 DAYS MINIMUM, SELF-CONTAINED, DOUBLE OR SINGLE WHITE FANGLASS/ROBY PLOT & STATUS INDICATING LIGHTS, TEST SWITCH, BROWNIOUT POWER PROTECTION, & 90 MIN EMERGENCY RUN TIME; EXIT SIGN SHALL HAVE 5 YEAR WARRANTY PLUS 7 PRO-DATA YEAR BATTERY WARRANTY - (SEE NOTE 5.)	RED LED 2-9W H.L.T.	277V/6V	2	N/A	PATHWAY No. A2-2-L-PLR4X OR EQUAL BY DUAL-LITE OR LITHONIA SEE NOTE 5.
WAQ	WALL MOUNTED LED EXIT LIGHT CONFORMING TO NFPA 101 STANDARDS, w/ BATTERY AND FUSE TYPE CHARGED SELF-DIAGNOSTIC; A TEST CYCLE THAT DOES NOT DISCHARGE THE BATTERY EVERY 20 DAYS MINIMUM, SELF-CONTAINED, DOUBLE OR SINGLE WHITE FANGLASS/ROBY PLOT & STATUS INDICATING LIGHTS, TEST SWITCH, BROWNIOUT POWER PROTECTION, & 90 MIN EMERGENCY RUN TIME; EXIT SIGN SHALL HAVE 5 YEAR WARRANTY PLUS 7 PRO-DATA YEAR BATTERY WARRANTY - (SEE NOTE 5.)	RED LED 2-9W H.L.T.	277V/6V	2	N/A	PATHWAY No. A2-2-L-PLR4X OR EQUAL BY DUAL-LITE OR LITHONIA SEE NOTE 5.
WAR	WALL MOUNTED LED EXIT LIGHT CONFORMING TO NFPA 101 STANDARDS, w/ BATTERY AND FUSE TYPE CHARGED SELF-DIAGNOSTIC; A TEST CYCLE THAT DOES NOT DISCHARGE THE BATTERY EVERY 20 DAYS MINIMUM, SELF-CONTAINED, DOUBLE OR SINGLE WHITE FANGLASS/ROBY PLOT & STATUS INDICATING LIGHTS, TEST SWITCH, BROWNIOUT POWER PROTECTION, & 90 MIN EMERGENCY RUN TIME; EXIT SIGN SHALL HAVE 5 YEAR WARRANTY PLUS 7 PRO-DATA YEAR BATTERY WARRANTY - (SEE NOTE 5.)	RED LED 2-9W H.L.T.	277V/6V	2	N/A	PATHWAY No. A2-2-L-PLR4X OR EQUAL BY DUAL-LITE OR LITHONIA SEE NOTE 5.
WAS	WALL MOUNTED LED EXIT LIGHT CONFORMING TO NFPA 101 STANDARDS, w/ BATTERY AND FUSE TYPE CHARGED SELF-DIAGNOSTIC; A TEST CYCLE THAT DOES NOT DISCHARGE THE BATTERY EVERY 20 DAYS MINIMUM, SELF-CONTAINED, DOUBLE OR SINGLE WHITE FANGLASS/ROBY PLOT & STATUS INDICATING LIGHTS, TEST SWITCH, BROWNIOUT POWER PROTECTION, & 90 MIN EMERGENCY RUN TIME; EXIT SIGN SHALL HAVE 5 YEAR WARRANTY PLUS 7 PRO-DATA YEAR BATTERY WARRANTY - (SEE NOTE 5.)	RED LED 2-9W H.L.T.	277V/6V	2	N/A	PATHWAY No. A2-2-L-PLR4X OR EQUAL BY DUAL-LITE OR LITHONIA SEE NOTE 5.
WAT	WALL MOUNTED LED EXIT LIGHT CONFORMING TO NFPA 101 STANDARDS, w/ BATTERY AND FUSE TYPE CHARGED SELF-DIAGNOSTIC; A TEST CYCLE THAT DOES NOT DISCHARGE THE BATTERY EVERY 20 DAYS MINIMUM, SELF-CONTAINED, DOUBLE OR SINGLE WHITE FANGLASS/ROBY PLOT & STATUS INDICATING LIGHTS, TEST SWITCH, BROWNIOUT POWER PROTECTION, & 90 MIN EMERGENCY RUN TIME; EXIT SIGN SHALL HAVE 5 YEAR WARRANTY PLUS 7 PRO-DATA YEAR BATTERY WARRANTY - (SEE NOTE 5.)	RED LED 2-9W H.L.T.	277V/6V	2	N/A	PATHWAY No. A2-2-L-PLR4X OR EQUAL BY DUAL-LITE OR LITHONIA SEE NOTE 5.
WAV	WALL MOUNTED LED EXIT LIGHT CONFORMING TO NFPA 101 STANDARDS, w/ BATTERY AND FUSE TYPE CHARGED SELF-DIAGNOSTIC; A TEST CYCLE THAT DOES NOT DISCHARGE THE BATTERY EVERY 20 DAYS MINIMUM, SELF-CONTAINED, DOUBLE OR SINGLE WHITE FANGLASS/ROBY PLOT & STATUS INDICATING LIGHTS, TEST SWITCH, BROWNIOUT POWER PROTECTION, & 90 MIN EMERGENCY RUN TIME; EXIT SIGN SHALL HAVE 5 YEAR WARRANTY PLUS 7 PRO-DATA YEAR BATTERY WARRANTY - (SEE NOTE 5.)	RED LED 2-9W H.L.T.	277V/6V	2	N/A	PATHWAY No. A2-2-L-PLR4X OR EQUAL BY DUAL-LITE OR LITHONIA SEE NOTE 5.
WAW	WALL MOUNTED LED EXIT LIGHT CONFORMING TO NFPA 101 STANDARDS, w/ BATTERY AND FUSE TYPE CHARGED SELF-DIAGNOSTIC; A TEST CYCLE THAT DOES NOT DISCHARGE THE BATTERY EVERY 20 DAYS MINIMUM, SELF-CONTAINED, DOUBLE OR SINGLE WHITE FANGLASS/ROBY PLOT & STATUS INDICATING LIGHTS, TEST SWITCH, BROWNIOUT POWER PROTECTION, & 90 MIN EMERGENCY RUN TIME; EXIT SIGN SHALL HAVE 5 YEAR WARRANTY PLUS 7 PRO-DATA YEAR BATTERY WARRANTY - (SEE NOTE 5.)	RED LED 2-9W H.L.T.	277V/6V	2	N/A	PATHWAY No. A2-2-L-PLR4X OR EQUAL BY DUAL-LITE OR LITHONIA SEE NOTE 5.
WAX	WALL MOUNTED LED EXIT LIGHT CONFORMING TO NFPA 101 STANDARDS, w/ BATTERY AND FUSE TYPE CHARGED SELF-DIAGNOSTIC; A TEST CYCLE THAT DOES NOT DISCHARGE THE BATTERY EVERY 20 DAYS MINIMUM, SELF-CONTAINED, DOUBLE OR SINGLE WHITE FANGLASS/ROBY PLOT & STATUS INDICATING LIGHTS, TEST SWITCH, BROWNIOUT POWER PROTECTION, & 90 MIN EMERGENCY RUN TIME; EXIT SIGN SHALL HAVE 5 YEAR WARRANTY PLUS 7 PRO-DATA YEAR BATTERY WARRANTY - (SEE NOTE 5.)	RED LED 2-9W H.L.T.	277V/6V	2	N/A	PATHWAY No. A2-2-L-PLR4X OR EQUAL BY DUAL-LITE OR LITHONIA SEE NOTE 5.
WAY	WALL MOUNTED LED EXIT LIGHT CONFORMING TO NFPA 101 STANDARDS, w/ BATTERY AND FUSE TYPE CHARGED SELF-DIAGNOSTIC; A TEST CYCLE THAT DOES NOT DISCHARGE THE BATTERY EVERY 20 DAYS MINIMUM					

ELECTRICAL SYMBOL LEGEND

-
-
-
-
-
-
-
-
-
-
-
-
-
-
-
-
-
-
-
-
-
-
-
-
-
-
-
-
-
-
-
-
-
-
-
-
-
-
-
-
-
-
-
-
-

- ABBREVIATIONS:**
- | | | | |
|--------|--------------------------------------------------|--------|------------------------|
| A.C. | ABOVE CEILING | C | CONDUIT AS SPECIFIED |
| A.F.F. | ABOVE FINISH FLOOR | NL | 24 HOUR NIGHT LIGHT |
| EF | EXHAUST FAN | U.O.N. | UNLESS OTHERWISE NOTED |
| EW | ELECTRIC WATER HEATER | UG | UNDERGROUND |
| G.C. | GENERAL CONTRACTOR | WP | WEATHERPROOF ENCLOSURE |
| P.C. | PLUMBING CONTRACTOR | U.P. | UTILITY PLATFORM |
| M.C. | MECHANICAL CONTRACTOR | | |
| E.C. | ELECTRICAL CONTRACTOR OR EMPTY CONDUIT | | |
| B-2 | TYPICAL CIRCUIT DESIGNATION PANEL 'B' BREAKER *2 | | |
- NOTE: LEGEND IS FOR REFERENCE ONLY. SYMBOLS/ABBREVIATIONS SHOWN DO NOT NECESSARILY APPLY TO THIS PROJECT.

PANEL BOARD SCHEDULE 1CB

LOAD SERVED	LOAD A/B/C	CB	CKT	PHASE A/B/C	CB	CKT	LOAD A/B/C	LOAD SERVED
RECEPT. RM. 121,123	6	20	1		2	20	9	RECEPT. RM. 124
RECEPT. RM. 121	8	20	3		4	20	9	RECEPT. RM. 128
RECEPT. RM. 121	9	20	5		6	20	6	RECEPT. RM. 128
RECEPT. RM. 121	6	20	9		10	20	6	RECEPT. RM. 128
RECEPT. RM. 121	9	20	11		12	20	6	RECEPT. RM. 128
RECEPT. RM. 121	9	20	13		14	20	6	RECEPT. RM. 128
RECEPT. RM. 121	9	20	15		16	20	6	RECEPT. RM. 128
RECEPT. RM. 121	9	20	17		18	20	6	RECEPT. RM. 128,131
RECEPT. RM. 122	6	20	19		20	20	6	RECEPT. RM. 131
RECEPT. RM. 125	3	20	21		22	20	6	RECEPT. RM. 131
RECEPT. RM. 125	3	20	23		24	20	6	RECEPT. RM. 131
RECEPT. RM. 125	3	20	25		26	20	6	RECEPT. RM. 131
RECEPT. RM. 122 COPPER	16	30	27		28	30	8	RECEPT. RM. 124
SPACE	-	20	29		30	20	5	MDF RACK
SPACE	-	20	31		32	20	5	MDF RACK
SPACE	-	20	33		34	20	5	MDF RACK
SPACE	-	35			36	-	-	SPACE
SPACE	-	37			38	-	-	SPACE
SPACE	-	39			40	-	-	SPACE
SPACE	-	41			42	-	-	SPACE
LOAD IS EXPRESSED IN AMPS								TOTAL LOAD = 82 AMPS

PANEL BOARD SCHEDULE 1CA

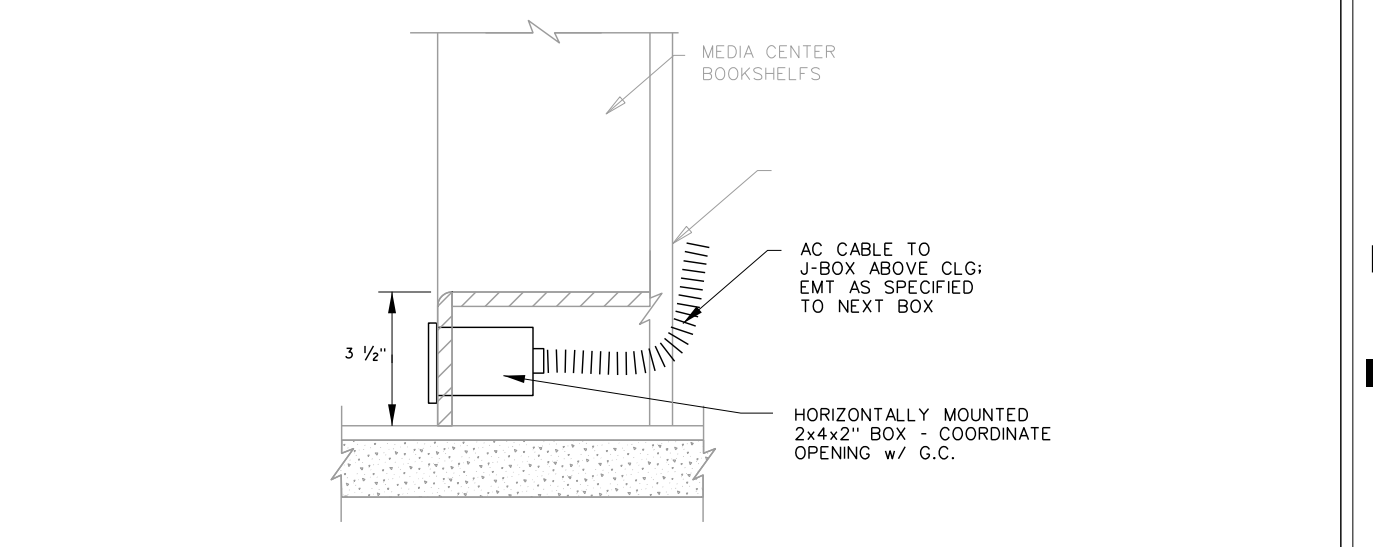
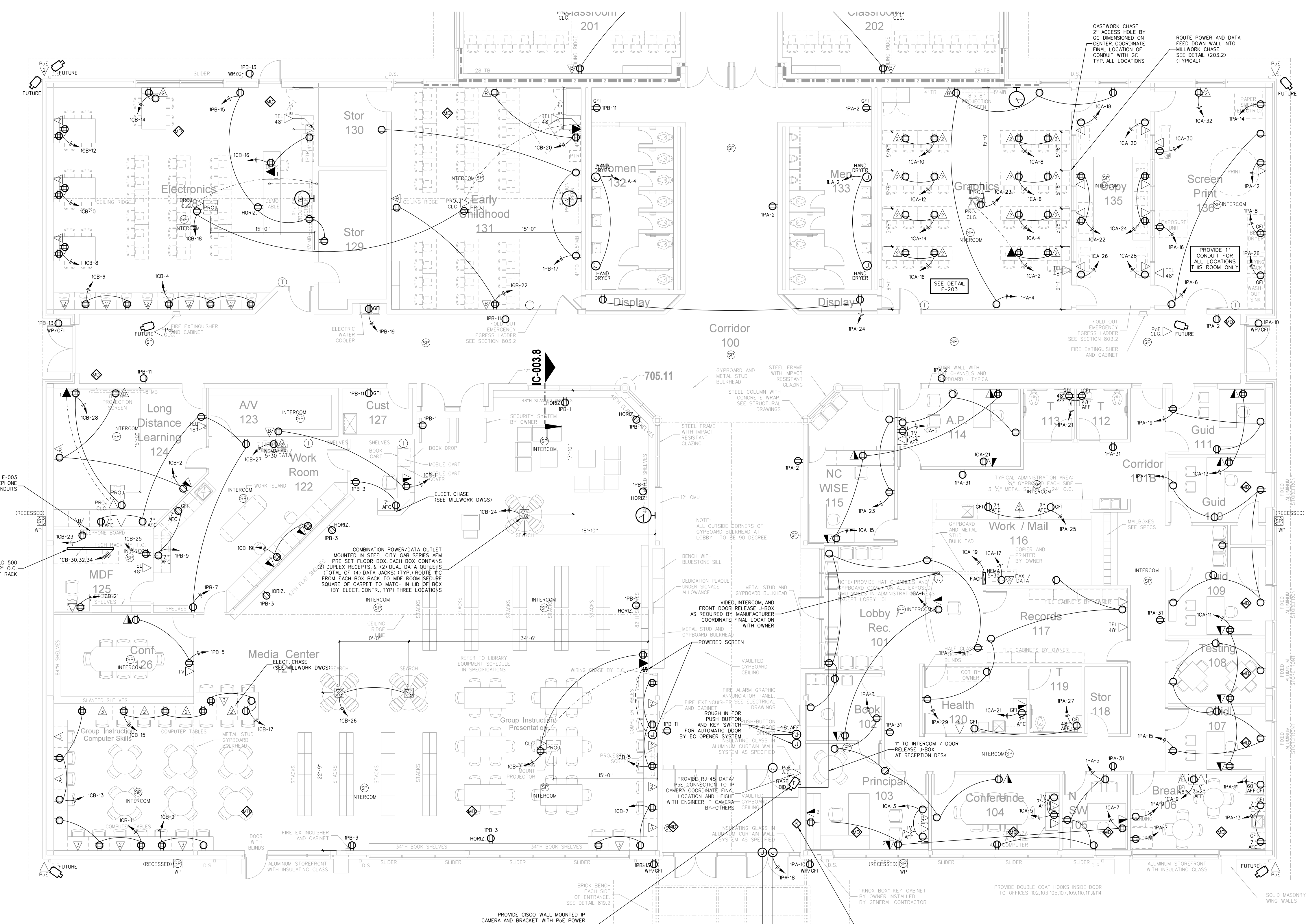
LOAD SERVED	LOAD A/B/C	CB	CKT	PHASE A/B/C	CB	CKT	LOAD A/B/C	LOAD SERVED
RECEPT. RM. 101,102	6	20	1		2	20	3	RECEPT. RM. 134
RECEPT. RM. 103	10	20	3		4	20	3	RECEPT. RM. 134
RECEPT. RM. 104	10	20	5		6	20	3	RECEPT. RM. 134
RECEPT. RM. 103,105	6	20	7		8	20	3	RECEPT. RM. 134
RECEPT. RM. 106	8	20	9		10	20	3	RECEPT. RM. 134
RECEPT. RM. 107,108,109	9	20	11		12	20	3	RECEPT. RM. 134
RECEPT. RM. 10,11	6	20	13		14	20	3	RECEPT. RM. 134
RECEPT. RM. 14,115	9	20	15		16	20	3	RECEPT. RM. 134
RECEPT. RM. 16 COPPER	16	30	17		18	30	16	RECEPT. RM. 135 COPPER
RECEPT. RM. 107,108	6	20	19		20	30	16	RECEPT. RM. 135 COPPER
RECEPT. RM. 100	2	20	21		22	20	6	RECEPT. RM. 135
SPACE	-	20	23		24	20	9	SPACE
SPACE	-	20	25		26	30	16	RECEPT. RM. 135 COPPER
SPACE	-	20	27		28	30	16	RECEPT. RM. 135 COPPER
SPACE	-	20	29		30	20	2	RECEPT. RM. 135
SPACE	-	20	31		32	20	3	RECEPT. RM. 136
SPACE	-	20	33		34	20	-	SPACE
SPACE	-	35			36	-	-	SPACE
SPACE	-	37			38	-	-	SPACE
SPACE	-	39			40	-	-	SPACE
SPACE	-	41			42	-	-	SPACE
LOAD IS EXPRESSED IN AMPS								TOTAL LOAD = 68 AMPS

PANEL BOARD SCHEDULE 1PB

LOAD SERVED	LOAD A/B/C	CB	CKT	PHASE A/B/C	CB	CKT	LOAD A/B/C	LOAD SERVED
RECEPT. RM. 121	8	20	1		2	20	-	SPARE
RECEPT. RM. 121	9	20	3		4	20	-	SPARE
RECEPT. RM. 126	3	20	5		6	20	-	SPARE
RECEPT. RM. 122,124	8	20	7		8	20	-	SPARE
RECEPT. RM. 122	3	20	9		10	20	-	SPARE
RECEPT. RM. CORRIDOR 100	6	20	11		12	20	-	SPARE
EXTERIOR RECEPT.	5	20	13		14	20	-	SPARE
RECEPT. RM. 120,129	6	20	15		16	20	-	SPARE
EMC	6	20	17		18	20	-	SPARE
EMC	6	20	19		20	20	-	SPARE
SPACE	-	20	21		22	20	-	SPACE
EF-VC-ID	6	20	23		24	20	-	SPACE
SPACE	-	20	25		26	20	-	SPACE
SPACE	-	20	27		28	20	-	SPACE
SPACE	-	20	29		30	20	-	SPACE
SPACE	-	20	31		32	20	-	SPACE
SPACE	-	20	33		34	20	-	SPACE
SPACE	-	35			36	-	-	SPACE
SPACE	-	37			38	-	-	SPACE
SPACE	-	39			40	-	-	SPACE
SPACE	-	41			42	-	-	SPACE
LOAD IS EXPRESSED IN AMPS								TOTAL LOAD = 27 AMPS

PANEL BOARD SCHEDULE 1PA

LOAD SERVED	LOAD A/B/C	CB	CKT	PHASE A/B/C	CB	CKT	LOAD A/B/C	LOAD SERVED
RECEPT. RM. 101,102	6	20	1		2	20	8	RECEPT. RM. CORRIDOR 100
RECEPT. RM. 102,103,104	9	20	3		4	20	6	RECEPT. RM. 136
RECEPT. RM. 104,105	6	20	5		6	20	5	RECEPT. RM. 136
RECEPT. RM. 106 VENDING	10	20	7		8	20	4	RECEPT. RM. 136
RECEPT. RM. 106	6	20	9		10	20	6	EXTERIOR RECEPT.
RECEPT. RM. 106 REF.	10	20	11		12	20	2	RECEPT. RM. 136
RECEPT. RM. 106	3	20	13		14	20	4	RECEPT. RM. 136
RECEPT. RM. 107,108	9	20	15		16	20	4	RECEPT. RM. 136
RECEPT. RM. 109,110	9	20	17		18	20	6	H/C AUTOMATIC DOOR OPENER
RECEPT. RM. 111	5	20	19		20	20	8	RECEPT. RM. 137 EQUIP. PLATFORM
RECEPT. RM. 112,113	3	20	21		22	20	5	EMG
RECEPT. RM. 114,115	9	20	23		24	20	3	DISPLAY RECEPT.
RECEPT. RM. 116	3	20	25		26	20	4	RECEPT. RM. 136
RECEPT. RM. 119,120	3	20	27		28	20	-	SPACE
RECEPT. RM. 171,120	8	20	29		30	20	-	SPACE
RECEPT. RM. CORRIDOR	8	20	31		32	20	-	SPACE
EF-1A,1B	6	20	33		34	20	-	SPACE
SPACE	-	20	35		36	20	-	SPACE
SPACE	-	20	37		38	20	-	SPACE
SPACE	-	39			40	-	-	SPACE
SPACE	-	41			42	-	-	SPACE
LOAD IS EXPRESSED IN AMPS								TOTAL LOAD = 55 AMPS



- 101.2 HORIZ RECEPT DETAIL**
SCALE: none
- NOTES:
- ALL RECEPTACLES SHOWN ABOVE CASEWORK SHALL BE MOUNTED 6\"/>
 - ALL RECEPTACLES SHOWN MOUNTED IN BOOKCASES SHALL BE MOUNTED HORIZONTAL IN THE SPACE.

ELECTRICAL EQUIPMENT MOUNTING HEIGHTS

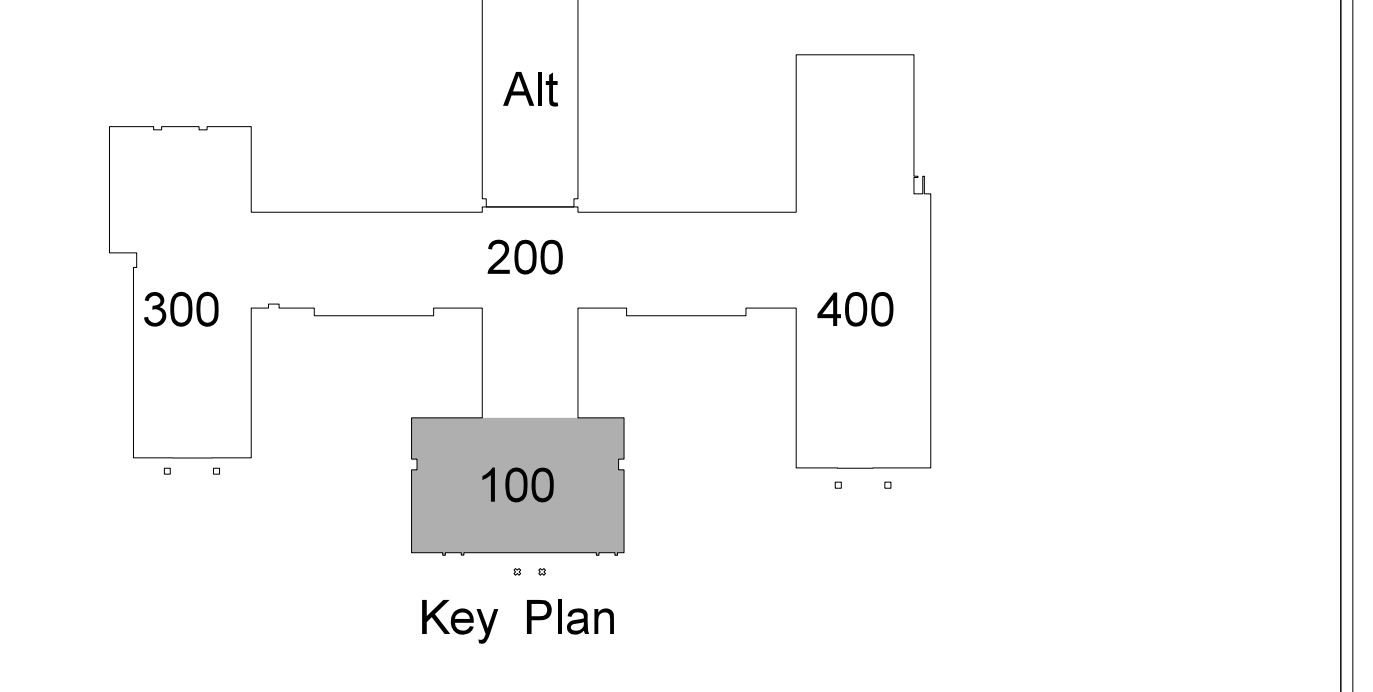
DEVICE	MT HEIGHT	TO																	
PANELBOARDS	6'-6\"/> <tr><td>TOGGLE SWITCH (GYBOARD)</td><td>4'-0\"/> <tr><td>RECEPTACLES (GYBOARD)</td><td>1'-6\"/> <tr><td>RECEPTACLES (BASE CABINETS)</td><td>-7\"/> <tr><td>VOICE/DATA OUTLETS (GYBOARD)</td><td>1'-6\"/> <tr><td>FIRE ALARM PULL STATIONS (GYBOARD)</td><td>4'-0\"/> <tr><td>EMERGENCY LIGHTS</td><td>12\"/> <tr><td>STROBE/HORN(S)</td><td>96\"/> <tr><td>REMOTE ANNUNCIATOR PANEL (RAP)</td><td>4'-0\"/> <tr><td>THERMOSTATS</td><td>48\"/> </td></tr></td></tr></td></tr></td></tr></td></tr></td></tr></td></tr></td></tr></td></tr>	TOGGLE SWITCH (GYBOARD)	4'-0\"/> <tr><td>RECEPTACLES (GYBOARD)</td><td>1'-6\"/> <tr><td>RECEPTACLES (BASE CABINETS)</td><td>-7\"/> <tr><td>VOICE/DATA OUTLETS (GYBOARD)</td><td>1'-6\"/> <tr><td>FIRE ALARM PULL STATIONS (GYBOARD)</td><td>4'-0\"/> <tr><td>EMERGENCY LIGHTS</td><td>12\"/> <tr><td>STROBE/HORN(S)</td><td>96\"/> <tr><td>REMOTE ANNUNCIATOR PANEL (RAP)</td><td>4'-0\"/> <tr><td>THERMOSTATS</td><td>48\"/> </td></tr></td></tr></td></tr></td></tr></td></tr></td></tr></td></tr></td></tr>	RECEPTACLES (GYBOARD)	1'-6\"/> <tr><td>RECEPTACLES (BASE CABINETS)</td><td>-7\"/> <tr><td>VOICE/DATA OUTLETS (GYBOARD)</td><td>1'-6\"/> <tr><td>FIRE ALARM PULL STATIONS (GYBOARD)</td><td>4'-0\"/> <tr><td>EMERGENCY LIGHTS</td><td>12\"/> <tr><td>STROBE/HORN(S)</td><td>96\"/> <tr><td>REMOTE ANNUNCIATOR PANEL (RAP)</td><td>4'-0\"/> <tr><td>THERMOSTATS</td><td>48\"/> </td></tr></td></tr></td></tr></td></tr></td></tr></td></tr></td></tr>	RECEPTACLES (BASE CABINETS)	-7\"/> <tr><td>VOICE/DATA OUTLETS (GYBOARD)</td><td>1'-6\"/> <tr><td>FIRE ALARM PULL STATIONS (GYBOARD)</td><td>4'-0\"/> <tr><td>EMERGENCY LIGHTS</td><td>12\"/> <tr><td>STROBE/HORN(S)</td><td>96\"/> <tr><td>REMOTE ANNUNCIATOR PANEL (RAP)</td><td>4'-0\"/> <tr><td>THERMOSTATS</td><td>48\"/> </td></tr></td></tr></td></tr></td></tr></td></tr></td></tr>	VOICE/DATA OUTLETS (GYBOARD)	1'-6\"/> <tr><td>FIRE ALARM PULL STATIONS (GYBOARD)</td><td>4'-0\"/> <tr><td>EMERGENCY LIGHTS</td><td>12\"/> <tr><td>STROBE/HORN(S)</td><td>96\"/> <tr><td>REMOTE ANNUNCIATOR PANEL (RAP)</td><td>4'-0\"/> <tr><td>THERMOSTATS</td><td>48\"/> </td></tr></td></tr></td></tr></td></tr></td></tr>	FIRE ALARM PULL STATIONS (GYBOARD)	4'-0\"/> <tr><td>EMERGENCY LIGHTS</td><td>12\"/> <tr><td>STROBE/HORN(S)</td><td>96\"/> <tr><td>REMOTE ANNUNCIATOR PANEL (RAP)</td><td>4'-0\"/> <tr><td>THERMOSTATS</td><td>48\"/> </td></tr></td></tr></td></tr></td></tr>	EMERGENCY LIGHTS	12\"/> <tr><td>STROBE/HORN(S)</td><td>96\"/> <tr><td>REMOTE ANNUNCIATOR PANEL (RAP)</td><td>4'-0\"/> <tr><td>THERMOSTATS</td><td>48\"/> </td></tr></td></tr></td></tr>	STROBE/HORN(S)	96\"/> <tr><td>REMOTE ANNUNCIATOR PANEL (RAP)</td><td>4'-0\"/> <tr><td>THERMOSTATS</td><td>48\"/> </td></tr></td></tr>	REMOTE ANNUNCIATOR PANEL (RAP)	4'-0\"/> <tr><td>THERMOSTATS</td><td>48\"/> </td></tr>	THERMOSTATS	48\"/>
TOGGLE SWITCH (GYBOARD)	4'-0\"/> <tr><td>RECEPTACLES (GYBOARD)</td><td>1'-6\"/> <tr><td>RECEPTACLES (BASE CABINETS)</td><td>-7\"/> <tr><td>VOICE/DATA OUTLETS (GYBOARD)</td><td>1'-6\"/> <tr><td>FIRE ALARM PULL STATIONS (GYBOARD)</td><td>4'-0\"/> <tr><td>EMERGENCY LIGHTS</td><td>12\"/> <tr><td>STROBE/HORN(S)</td><td>96\"/> <tr><td>REMOTE ANNUNCIATOR PANEL (RAP)</td><td>4'-0\"/> <tr><td>THERMOSTATS</td><td>48\"/> </td></tr></td></tr></td></tr></td></tr></td></tr></td></tr></td></tr></td></tr>	RECEPTACLES (GYBOARD)	1'-6\"/> <tr><td>RECEPTACLES (BASE CABINETS)</td><td>-7\"/> <tr><td>VOICE/DATA OUTLETS (GYBOARD)</td><td>1'-6\"/> <tr><td>FIRE ALARM PULL STATIONS (GYBOARD)</td><td>4'-0\"/> <tr><td>EMERGENCY LIGHTS</td><td>12\"/> <tr><td>STROBE/HORN(S)</td><td>96\"/> <tr><td>REMOTE ANNUNCIATOR PANEL (RAP)</td><td>4'-0\"/> <tr><td>THERMOSTATS</td><td>48\"/> </td></tr></td></tr></td></tr></td></tr></td></tr></td></tr></td></tr>	RECEPTACLES (BASE CABINETS)	-7\"/> <tr><td>VOICE/DATA OUTLETS (GYBOARD)</td><td>1'-6\"/> <tr><td>FIRE ALARM PULL STATIONS (GYBOARD)</td><td>4'-0\"/> <tr><td>EMERGENCY LIGHTS</td><td>12\"/> <tr><td>STROBE/HORN(S)</td><td>96\"/> <tr><td>REMOTE ANNUNCIATOR PANEL (RAP)</td><td>4'-0\"/> <tr><td>THERMOSTATS</td><td>48\"/> </td></tr></td></tr></td></tr></td></tr></td></tr></td></tr>	VOICE/DATA OUTLETS (GYBOARD)	1'-6\"/> <tr><td>FIRE ALARM PULL STATIONS (GYBOARD)</td><td>4'-0\"/> <tr><td>EMERGENCY LIGHTS</td><td>12\"/> <tr><td>STROBE/HORN(S)</td><td>96\"/> <tr><td>REMOTE ANNUNCIATOR PANEL (RAP)</td><td>4'-0\"/> <tr><td>THERMOSTATS</td><td>48\"/> </td></tr></td></tr></td></tr></td></tr></td></tr>	FIRE ALARM PULL STATIONS (GYBOARD)	4'-0\"/> <tr><td>EMERGENCY LIGHTS</td><td>12\"/> <tr><td>STROBE/HORN(S)</td><td>96\"/> <tr><td>REMOTE ANNUNCIATOR PANEL (RAP)</td><td>4'-0\"/> <tr><td>THERMOSTATS</td><td>48\"/> </td></tr></td></tr></td></tr></td></tr>	EMERGENCY LIGHTS	12\"/> <tr><td>STROBE/HORN(S)</td><td>96\"/> <tr><td>REMOTE ANNUNCIATOR PANEL (RAP)</td><td>4'-0\"/> <tr><td>THERMOSTATS</td><td>48\"/> </td></tr></td></tr></td></tr>	STROBE/HORN(S)	96\"/> <tr><td>REMOTE ANNUNCIATOR PANEL (RAP)</td><td>4'-0\"/> <tr><td>THERMOSTATS</td><td>48\"/> </td></tr></td></tr>	REMOTE ANNUNCIATOR PANEL (RAP)	4'-0\"/> <tr><td>THERMOSTATS</td><td>48\"/> </td></tr>	THERMOSTATS	48\"/>		
RECEPTACLES (GYBOARD)	1'-6\"/> <tr><td>RECEPTACLES (BASE CABINETS)</td><td>-7\"/> <tr><td>VOICE/DATA OUTLETS (GYBOARD)</td><td>1'-6\"/> <tr><td>FIRE ALARM PULL STATIONS (GYBOARD)</td><td>4'-0\"/> <tr><td>EMERGENCY LIGHTS</td><td>12\"/> <tr><td>STROBE/HORN(S)</td><td>96\"/> <tr><td>REMOTE ANNUNCIATOR PANEL (RAP)</td><td>4'-0\"/> <tr><td>THERMOSTATS</td><td>48\"/> </td></tr></td></tr></td></tr></td></tr></td></tr></td></tr></td></tr>	RECEPTACLES (BASE CABINETS)	-7\"/> <tr><td>VOICE/DATA OUTLETS (GYBOARD)</td><td>1'-6\"/> <tr><td>FIRE ALARM PULL STATIONS (GYBOARD)</td><td>4'-0\"/> <tr><td>EMERGENCY LIGHTS</td><td>12\"/> <tr><td>STROBE/HORN(S)</td><td>96\"/> <tr><td>REMOTE ANNUNCIATOR PANEL (RAP)</td><td>4'-0\"/> <tr><td>THERMOSTATS</td><td>48\"/> </td></tr></td></tr></td></tr></td></tr></td></tr></td></tr>	VOICE/DATA OUTLETS (GYBOARD)	1'-6\"/> <tr><td>FIRE ALARM PULL STATIONS (GYBOARD)</td><td>4'-0\"/> <tr><td>EMERGENCY LIGHTS</td><td>12\"/> <tr><td>STROBE/HORN(S)</td><td>96\"/> <tr><td>REMOTE ANNUNCIATOR PANEL (RAP)</td><td>4'-0\"/> <tr><td>THERMOSTATS</td><td>48\"/> </td></tr></td></tr></td></tr></td></tr></td></tr>	FIRE ALARM PULL STATIONS (GYBOARD)	4'-0\"/> <tr><td>EMERGENCY LIGHTS</td><td>12\"/> <tr><td>STROBE/HORN(S)</td><td>96\"/> <tr><td>REMOTE ANNUNCIATOR PANEL (RAP)</td><td>4'-0\"/> <tr><td>THERMOSTATS</td><td>48\"/> </td></tr></td></tr></td></tr></td></tr>	EMERGENCY LIGHTS	12\"/> <tr><td>STROBE/HORN(S)</td><td>96\"/> <tr><td>REMOTE ANNUNCIATOR PANEL (RAP)</td><td>4'-0\"/> <tr><td>THERMOSTATS</td><td>48\"/> </td></tr></td></tr></td></tr>	STROBE/HORN(S)	96\"/> <tr><td>REMOTE ANNUNCIATOR PANEL (RAP)</td><td>4'-0\"/> <tr><td>THERMOSTATS</td><td>48\"/> </td></tr></td></tr>	REMOTE ANNUNCIATOR PANEL (RAP)	4'-0\"/> <tr><td>THERMOSTATS</td><td>48\"/> </td></tr>	THERMOSTATS	48\"/>				
RECEPTACLES (BASE CABINETS)	-7\"/> <tr><td>VOICE/DATA OUTLETS (GYBOARD)</td><td>1'-6\"/> <tr><td>FIRE ALARM PULL STATIONS (GYBOARD)</td><td>4'-0\"/> <tr><td>EMERGENCY LIGHTS</td><td>12\"/> <tr><td>STROBE/HORN(S)</td><td>96\"/> <tr><td>REMOTE ANNUNCIATOR PANEL (RAP)</td><td>4'-0\"/> <tr><td>THERMOSTATS</td><td>48\"/> </td></tr></td></tr></td></tr></td></tr></td></tr></td></tr>	VOICE/DATA OUTLETS (GYBOARD)	1'-6\"/> <tr><td>FIRE ALARM PULL STATIONS (GYBOARD)</td><td>4'-0\"/> <tr><td>EMERGENCY LIGHTS</td><td>12\"/> <tr><td>STROBE/HORN(S)</td><td>96\"/> <tr><td>REMOTE ANNUNCIATOR PANEL (RAP)</td><td>4'-0\"/> <tr><td>THERMOSTATS</td><td>48\"/> </td></tr></td></tr></td></tr></td></tr></td></tr>	FIRE ALARM PULL STATIONS (GYBOARD)	4'-0\"/> <tr><td>EMERGENCY LIGHTS</td><td>12\"/> <tr><td>STROBE/HORN(S)</td><td>96\"/> <tr><td>REMOTE ANNUNCIATOR PANEL (RAP)</td><td>4'-0\"/> <tr><td>THERMOSTATS</td><td>48\"/> </td></tr></td></tr></td></tr></td></tr>	EMERGENCY LIGHTS	12\"/> <tr><td>STROBE/HORN(S)</td><td>96\"/> <tr><td>REMOTE ANNUNCIATOR PANEL (RAP)</td><td>4'-0\"/> <tr><td>THERMOSTATS</td><td>48\"/> </td></tr></td></tr></td></tr>	STROBE/HORN(S)	96\"/> <tr><td>REMOTE ANNUNCIATOR PANEL (RAP)</td><td>4'-0\"/> <tr><td>THERMOSTATS</td><td>48\"/> </td></tr></td></tr>	REMOTE ANNUNCIATOR PANEL (RAP)	4'-0\"/> <tr><td>THERMOSTATS</td><td>48\"/> </td></tr>	THERMOSTATS	48\"/>						
VOICE/DATA OUTLETS (GYBOARD)	1'-6\"/> <tr><td>FIRE ALARM PULL STATIONS (GYBOARD)</td><td>4'-0\"/> <tr><td>EMERGENCY LIGHTS</td><td>12\"/> <tr><td>STROBE/HORN(S)</td><td>96\"/> <tr><td>REMOTE ANNUNCIATOR PANEL (RAP)</td><td>4'-0\"/> <tr><td>THERMOSTATS</td><td>48\"/> </td></tr></td></tr></td></tr></td></tr></td></tr>	FIRE ALARM PULL STATIONS (GYBOARD)	4'-0\"/> <tr><td>EMERGENCY LIGHTS</td><td>12\"/> <tr><td>STROBE/HORN(S)</td><td>96\"/> <tr><td>REMOTE ANNUNCIATOR PANEL (RAP)</td><td>4'-0\"/> <tr><td>THERMOSTATS</td><td>48\"/> </td></tr></td></tr></td></tr></td></tr>	EMERGENCY LIGHTS	12\"/> <tr><td>STROBE/HORN(S)</td><td>96\"/> <tr><td>REMOTE ANNUNCIATOR PANEL (RAP)</td><td>4'-0\"/> <tr><td>THERMOSTATS</td><td>48\"/> </td></tr></td></tr></td></tr>	STROBE/HORN(S)	96\"/> <tr><td>REMOTE ANNUNCIATOR PANEL (RAP)</td><td>4'-0\"/> <tr><td>THERMOSTATS</td><td>48\"/> </td></tr></td></tr>	REMOTE ANNUNCIATOR PANEL (RAP)	4'-0\"/> <tr><td>THERMOSTATS</td><td>48\"/> </td></tr>	THERMOSTATS	48\"/>								
FIRE ALARM PULL STATIONS (GYBOARD)	4'-0\"/> <tr><td>EMERGENCY LIGHTS</td><td>12\"/> <tr><td>STROBE/HORN(S)</td><td>96\"/> <tr><td>REMOTE ANNUNCIATOR PANEL (RAP)</td><td>4'-0\"/> <tr><td>THERMOSTATS</td><td>48\"/> </td></tr></td></tr></td></tr></td></tr>	EMERGENCY LIGHTS	12\"/> <tr><td>STROBE/HORN(S)</td><td>96\"/> <tr><td>REMOTE ANNUNCIATOR PANEL (RAP)</td><td>4'-0\"/> <tr><td>THERMOSTATS</td><td>48\"/> </td></tr></td></tr></td></tr>	STROBE/HORN(S)	96\"/> <tr><td>REMOTE ANNUNCIATOR PANEL (RAP)</td><td>4'-0\"/> <tr><td>THERMOSTATS</td><td>48\"/> </td></tr></td></tr>	REMOTE ANNUNCIATOR PANEL (RAP)	4'-0\"/> <tr><td>THERMOSTATS</td><td>48\"/> </td></tr>	THERMOSTATS	48\"/>										
EMERGENCY LIGHTS	12\"/> <tr><td>STROBE/HORN(S)</td><td>96\"/> <tr><td>REMOTE ANNUNCIATOR PANEL (RAP)</td><td>4'-0\"/> <tr><td>THERMOSTATS</td><td>48\"/> </td></tr></td></tr></td></tr>	STROBE/HORN(S)	96\"/> <tr><td>REMOTE ANNUNCIATOR PANEL (RAP)</td><td>4'-0\"/> <tr><td>THERMOSTATS</td><td>48\"/> </td></tr></td></tr>	REMOTE ANNUNCIATOR PANEL (RAP)	4'-0\"/> <tr><td>THERMOSTATS</td><td>48\"/> </td></tr>	THERMOSTATS	48\"/>												
STROBE/HORN(S)	96\"/> <tr><td>REMOTE ANNUNCIATOR PANEL (RAP)</td><td>4'-0\"/> <tr><td>THERMOSTATS</td><td>48\"/> </td></tr></td></tr>	REMOTE ANNUNCIATOR PANEL (RAP)	4'-0\"/> <tr><td>THERMOSTATS</td><td>48\"/> </td></tr>	THERMOSTATS	48\"/>														
REMOTE ANNUNCIATOR PANEL (RAP)	4'-0\"/> <tr><td>THERMOSTATS</td><td>48\"/> </td></tr>	THERMOSTATS	48\"/>																
THERMOSTATS	48\"/>																		

NOTES:

- TYPICAL MOUNTING HEIGHTS ARE LISTED UNLESS NOTED OTHERWISE.
- BFC-BELOW FINISHED CLG., AFC-ABOVE FINISHED CABINET.
- FOR MAX 10'-0\"/>
- CONTRACTOR SHALL REFERENCE ARCHITECTURAL ELEVATIONS FOR FINAL OUTLET MOUNTING HEIGHT AND LOCATION.

WALL LEGEND

	12\"/> <tr><td></td><td>8\"/> <tr><td></td><td>6\"/> <tr><td></td><td>8\"/> <tr><td></td><td>6\"/> <tr><td></td><td>3 5/8\"/> <tr><td></td><td>3 5/8\"/> <tr><td></td><td>SMOKE TIGHT CONSTRUCTION WALLS AND CEILING</td></tr> <tr><td></td><td>ONE HOUR RATED FIRE BARRIER (PRIORITY 5 - LOWEST)</td></tr> <tr><td></td><td>ONE HOUR FIRE AND SMOKE BARRIER (PRIORITY 4)</td></tr> <tr><td></td><td>TWO HOUR RATED FIRE BARRIER (PRIORITY 3)</td></tr> <tr><td></td><td>TWO HOUR RATED FIRE AND SMOKE BARRIER (PRIORITY 2)</td></tr> <tr><td></td><td>THREE HOUR RATED FIRE AND SMOKE BARRIER (PRIORITY 1 - HIGHEST)</td></tr> </td></tr></td></tr></td></tr></td></tr></td></tr></td></tr>		8\"/> <tr><td></td><td>6\"/> <tr><td></td><td>8\"/> <tr><td></td><td>6\"/> <tr><td></td><td>3 5/8\"/> <tr><td></td><td>3 5/8\"/> <tr><td></td><td>SMOKE TIGHT CONSTRUCTION WALLS AND CEILING</td></tr> <tr><td></td><td>ONE HOUR RATED FIRE BARRIER (PRIORITY 5 - LOWEST)</td></tr> <tr><td></td><td>ONE HOUR FIRE AND SMOKE BARRIER (PRIORITY 4)</td></tr> <tr><td></td><td>TWO HOUR RATED FIRE BARRIER (PRIORITY 3)</td></tr> <tr><td></td><td>TWO HOUR RATED FIRE AND SMOKE BARRIER (PRIORITY 2)</td></tr> <tr><td></td><td>THREE HOUR RATED FIRE AND SMOKE BARRIER (PRIORITY 1 - HIGHEST)</td></tr> </td></tr></td></tr></td></tr></td></tr></td></tr>		6\"/> <tr><td></td><td>8\"/> <tr><td></td><td>6\"/> <tr><td></td><td>3 5/8\"/> <tr><td></td><td>3 5/8\"/> <tr><td></td><td>SMOKE TIGHT CONSTRUCTION WALLS AND CEILING</td></tr> <tr><td></td><td>ONE HOUR RATED FIRE BARRIER (PRIORITY 5 - LOWEST)</td></tr> <tr><td></td><td>ONE HOUR FIRE AND SMOKE BARRIER (PRIORITY 4)</td></tr> <tr><td></td><td>TWO HOUR RATED FIRE BARRIER (PRIORITY 3)</td></tr> <tr><td></td><td>TWO HOUR RATED FIRE AND SMOKE BARRIER (PRIORITY 2)</td></tr> <tr><td></td><td>THREE HOUR RATED FIRE AND SMOKE BARRIER (PRIORITY 1 - HIGHEST)</td></tr> </td></tr></td></tr></td></tr></td></tr>		8\"/> <tr><td></td><td>6\"/> <tr><td></td><td>3 5/8\"/> <tr><td></td><td>3 5/8\"/> <tr><td></td><td>SMOKE TIGHT CONSTRUCTION WALLS AND CEILING</td></tr> <tr><td></td><td>ONE HOUR RATED FIRE BARRIER (PRIORITY 5 - LOWEST)</td></tr> <tr><td></td><td>ONE HOUR FIRE AND SMOKE BARRIER (PRIORITY 4)</td></tr> <tr><td></td><td>TWO HOUR RATED FIRE BARRIER (PRIORITY 3)</td></tr> <tr><td></td><td>TWO HOUR RATED FIRE AND SMOKE BARRIER (PRIORITY 2)</td></tr> <tr><td></td><td>THREE HOUR RATED FIRE AND SMOKE BARRIER (PRIORITY 1 - HIGHEST)</td></tr> </td></tr></td></tr></td></tr>		6\"/> <tr><td></td><td>3 5/8\"/> <tr><td></td><td>3 5/8\"/> <tr><td></td><td>SMOKE TIGHT CONSTRUCTION WALLS AND CEILING</td></tr> <tr><td></td><td>ONE HOUR RATED FIRE BARRIER (PRIORITY 5 - LOWEST)</td></tr> <tr><td></td><td>ONE HOUR FIRE AND SMOKE BARRIER (PRIORITY 4)</td></tr> <tr><td></td><td>TWO HOUR RATED FIRE BARRIER (PRIORITY 3)</td></tr> <tr><td></td><td>TWO HOUR RATED FIRE AND SMOKE BARRIER (PRIORITY 2)</td></tr> <tr><td></td><td>THREE HOUR RATED FIRE AND SMOKE BARRIER (PRIORITY 1 - HIGHEST)</td></tr> </td></tr></td></tr>		3 5/8\"/> <tr><td></td><td>3 5/8\"/> <tr><td></td><td>SMOKE TIGHT CONSTRUCTION WALLS AND CEILING</td></tr> <tr><td></td><td>ONE HOUR RATED FIRE BARRIER (PRIORITY 5 - LOWEST)</td></tr> <tr><td></td><td>ONE HOUR FIRE AND SMOKE BARRIER (PRIORITY 4)</td></tr> <tr><td></td><td>TWO HOUR RATED FIRE BARRIER (PRIORITY 3)</td></tr> <tr><td></td><td>TWO HOUR RATED FIRE AND SMOKE BARRIER (PRIORITY 2)</td></tr> <tr><td></td><td>THREE HOUR RATED FIRE AND SMOKE BARRIER (PRIORITY 1 - HIGHEST)</td></tr> </td></tr>		3 5/8\"/> <tr><td></td><td>SMOKE TIGHT CONSTRUCTION WALLS AND CEILING</td></tr> <tr><td></td><td>ONE HOUR RATED FIRE BARRIER (PRIORITY 5 - LOWEST)</td></tr> <tr><td></td><td>ONE HOUR FIRE AND SMOKE BARRIER (PRIORITY 4)</td></tr> <tr><td></td><td>TWO HOUR RATED FIRE BARRIER (PRIORITY 3)</td></tr> <tr><td></td><td>TWO HOUR RATED FIRE AND SMOKE BARRIER (PRIORITY 2)</td></tr> <tr><td></td><td>THREE HOUR RATED FIRE AND SMOKE BARRIER (PRIORITY 1 - HIGHEST)</td></tr>		SMOKE TIGHT CONSTRUCTION WALLS AND CEILING		ONE HOUR RATED FIRE BARRIER (PRIORITY 5 - LOWEST)		ONE HOUR FIRE AND SMOKE BARRIER (PRIORITY 4)		TWO HOUR RATED FIRE BARRIER (PRIORITY 3)		TWO HOUR RATED FIRE AND SMOKE BARRIER (PRIORITY 2)		THREE HOUR RATED FIRE AND SMOKE BARRIER (PRIORITY 1 - HIGHEST)
	8\"/> <tr><td></td><td>6\"/> <tr><td></td><td>8\"/> <tr><td></td><td>6\"/> <tr><td></td><td>3 5/8\"/> <tr><td></td><td>3 5/8\"/> <tr><td></td><td>SMOKE TIGHT CONSTRUCTION WALLS AND CEILING</td></tr> <tr><td></td><td>ONE HOUR RATED FIRE BARRIER (PRIORITY 5 - LOWEST)</td></tr> <tr><td></td><td>ONE HOUR FIRE AND SMOKE BARRIER (PRIORITY 4)</td></tr> <tr><td></td><td>TWO HOUR RATED FIRE BARRIER (PRIORITY 3)</td></tr> <tr><td></td><td>TWO HOUR RATED FIRE AND SMOKE BARRIER (PRIORITY 2)</td></tr> <tr><td></td><td>THREE HOUR RATED FIRE AND SMOKE BARRIER (PRIORITY 1 - HIGHEST)</td></tr> </td></tr></td></tr></td></tr></td></tr></td></tr>		6\"/> <tr><td></td><td>8\"/> <tr><td></td><td>6\"/> <tr><td></td><td>3 5/8\"/> <tr><td></td><td>3 5/8\"/> <tr><td></td><td>SMOKE TIGHT CONSTRUCTION WALLS AND CEILING</td></tr> <tr><td></td><td>ONE HOUR RATED FIRE BARRIER (PRIORITY 5 - LOWEST)</td></tr> <tr><td></td><td>ONE HOUR FIRE AND SMOKE BARRIER (PRIORITY 4)</td></tr> <tr><td></td><td>TWO HOUR RATED FIRE BARRIER (PRIORITY 3)</td></tr> <tr><td></td><td>TWO HOUR RATED FIRE AND SMOKE BARRIER (PRIORITY 2)</td></tr> <tr><td></td><td>THREE HOUR RATED FIRE AND SMOKE BARRIER (PRIORITY 1 - HIGHEST)</td></tr> </td></tr></td></tr></td></tr></td></tr>		8\"/> <tr><td></td><td>6\"/> <tr><td></td><td>3 5/8\"/> <tr><td></td><td>3 5/8\"/> <tr><td></td><td>SMOKE TIGHT CONSTRUCTION WALLS AND CEILING</td></tr> <tr><td></td><td>ONE HOUR RATED FIRE BARRIER (PRIORITY 5 - LOWEST)</td></tr> <tr><td></td><td>ONE HOUR FIRE AND SMOKE BARRIER (PRIORITY 4)</td></tr> <tr><td></td><td>TWO HOUR RATED FIRE BARRIER (PRIORITY 3)</td></tr> <tr><td></td><td>TWO HOUR RATED FIRE AND SMOKE BARRIER (PRIORITY 2)</td></tr> <tr><td></td><td>THREE HOUR RATED FIRE AND SMOKE BARRIER (PRIORITY 1 - HIGHEST)</td></tr> </td></tr></td></tr></td></tr>		6\"/> <tr><td></td><td>3 5/8\"/> <tr><td></td><td>3 5/8\"/> <tr><td></td><td>SMOKE TIGHT CONSTRUCTION WALLS AND CEILING</td></tr> <tr><td></td><td>ONE HOUR RATED FIRE BARRIER (PRIORITY 5 - LOWEST)</td></tr> <tr><td></td><td>ONE HOUR FIRE AND SMOKE BARRIER (PRIORITY 4)</td></tr> <tr><td></td><td>TWO HOUR RATED FIRE BARRIER (PRIORITY 3)</td></tr> <tr><td></td><td>TWO HOUR RATED FIRE AND SMOKE BARRIER (PRIORITY 2)</td></tr> <tr><td></td><td>THREE HOUR RATED FIRE AND SMOKE BARRIER (PRIORITY 1 - HIGHEST)</td></tr> </td></tr></td></tr>		3 5/8\"/> <tr><td></td><td>3 5/8\"/> <tr><td></td><td>SMOKE TIGHT CONSTRUCTION WALLS AND CEILING</td></tr> <tr><td></td><td>ONE HOUR RATED FIRE BARRIER (PRIORITY 5 - LOWEST)</td></tr> <tr><td></td><td>ONE HOUR FIRE AND SMOKE BARRIER (PRIORITY 4)</td></tr> <tr><td></td><td>TWO HOUR RATED FIRE BARRIER (PRIORITY 3)</td></tr> <tr><td></td><td>TWO HOUR RATED FIRE AND SMOKE BARRIER (PRIORITY 2)</td></tr> <tr><td></td><td>THREE HOUR RATED FIRE AND SMOKE BARRIER (PRIORITY 1 - HIGHEST)</td></tr> </td></tr>		3 5/8\"/> <tr><td></td><td>SMOKE TIGHT CONSTRUCTION WALLS AND CEILING</td></tr> <tr><td></td><td>ONE HOUR RATED FIRE BARRIER (PRIORITY 5 - LOWEST)</td></tr> <tr><td></td><td>ONE HOUR FIRE AND SMOKE BARRIER (PRIORITY 4)</td></tr> <tr><td></td><td>TWO HOUR RATED FIRE BARRIER (PRIORITY 3)</td></tr> <tr><td></td><td>TWO HOUR RATED FIRE AND SMOKE BARRIER (PRIORITY 2)</td></tr> <tr><td></td><td>THREE HOUR RATED FIRE AND SMOKE BARRIER (PRIORITY 1 - HIGHEST)</td></tr>		SMOKE TIGHT CONSTRUCTION WALLS AND CEILING		ONE HOUR RATED FIRE BARRIER (PRIORITY 5 - LOWEST)		ONE HOUR FIRE AND SMOKE BARRIER (PRIORITY 4)		TWO HOUR RATED FIRE BARRIER (PRIORITY 3)		TWO HOUR RATED FIRE AND SMOKE BARRIER (PRIORITY 2)		THREE HOUR RATED FIRE AND SMOKE BARRIER (PRIORITY 1 - HIGHEST)		
	6\"/> <tr><td></td><td>8\"/> <tr><td></td><td>6\"/> <tr><td></td><td>3 5/8\"/> <tr><td></td><td>3 5/8\"/> <tr><td></td><td>SMOKE TIGHT CONSTRUCTION WALLS AND CEILING</td></tr> <tr><td></td><td>ONE HOUR RATED FIRE BARRIER (PRIORITY 5 - LOWEST)</td></tr> <tr><td></td><td>ONE HOUR FIRE AND SMOKE BARRIER (PRIORITY 4)</td></tr> <tr><td></td><td>TWO HOUR RATED FIRE BARRIER (PRIORITY 3)</td></tr> <tr><td></td><td>TWO HOUR RATED FIRE AND SMOKE BARRIER (PRIORITY 2)</td></tr> <tr><td></td><td>THREE HOUR RATED FIRE AND SMOKE BARRIER (PRIORITY 1 - HIGHEST)</td></tr> </td></tr></td></tr></td></tr></td></tr>		8\"/> <tr><td></td><td>6\"/> <tr><td></td><td>3 5/8\"/> <tr><td></td><td>3 5/8\"/> <tr><td></td><td>SMOKE TIGHT CONSTRUCTION WALLS AND CEILING</td></tr> <tr><td></td><td>ONE HOUR RATED FIRE BARRIER (PRIORITY 5 - LOWEST)</td></tr> <tr><td></td><td>ONE HOUR FIRE AND SMOKE BARRIER (PRIORITY 4)</td></tr> <tr><td></td><td>TWO HOUR RATED FIRE BARRIER (PRIORITY 3)</td></tr> <tr><td></td><td>TWO HOUR RATED FIRE AND SMOKE BARRIER (PRIORITY 2)</td></tr> <tr><td></td><td>THREE HOUR RATED FIRE AND SMOKE BARRIER (PRIORITY 1 - HIGHEST)</td></tr> </td></tr></td></tr></td></tr>		6\"/> <tr><td></td><td>3 5/8\"/> <tr><td></td><td>3 5/8\"/> <tr><td></td><td>SMOKE TIGHT CONSTRUCTION WALLS AND CEILING</td></tr> <tr><td></td><td>ONE HOUR RATED FIRE BARRIER (PRIORITY 5 - LOWEST)</td></tr> <tr><td></td><td>ONE HOUR FIRE AND SMOKE BARRIER (PRIORITY 4)</td></tr> <tr><td></td><td>TWO HOUR RATED FIRE BARRIER (PRIORITY 3)</td></tr> <tr><td></td><td>TWO HOUR RATED FIRE AND SMOKE BARRIER (PRIORITY 2)</td></tr> <tr><td></td><td>THREE HOUR RATED FIRE AND SMOKE BARRIER (PRIORITY 1 - HIGHEST)</td></tr> </td></tr></td></tr>		3 5/8\"/> <tr><td></td><td>3 5/8\"/> <tr><td></td><td>SMOKE TIGHT CONSTRUCTION WALLS AND CEILING</td></tr> <tr><td></td><td>ONE HOUR RATED FIRE BARRIER (PRIORITY 5 - LOWEST)</td></tr> <tr><td></td><td>ONE HOUR FIRE AND SMOKE BARRIER (PRIORITY 4)</td></tr> <tr><td></td><td>TWO HOUR RATED FIRE BARRIER (PRIORITY 3)</td></tr> <tr><td></td><td>TWO HOUR RATED FIRE AND SMOKE BARRIER (PRIORITY 2)</td></tr> <tr><td></td><td>THREE HOUR RATED FIRE AND SMOKE BARRIER (PRIORITY 1 - HIGHEST)</td></tr> </td></tr>		3 5/8\"/> <tr><td></td><td>SMOKE TIGHT CONSTRUCTION WALLS AND CEILING</td></tr> <tr><td></td><td>ONE HOUR RATED FIRE BARRIER (PRIORITY 5 - LOWEST)</td></tr> <tr><td></td><td>ONE HOUR FIRE AND SMOKE BARRIER (PRIORITY 4)</td></tr> <tr><td></td><td>TWO HOUR RATED FIRE BARRIER (PRIORITY 3)</td></tr> <tr><td></td><td>TWO HOUR RATED FIRE AND SMOKE BARRIER (PRIORITY 2)</td></tr> <tr><td></td><td>THREE HOUR RATED FIRE AND SMOKE BARRIER (PRIORITY 1 - HIGHEST)</td></tr>		SMOKE TIGHT CONSTRUCTION WALLS AND CEILING		ONE HOUR RATED FIRE BARRIER (PRIORITY 5 - LOWEST)		ONE HOUR FIRE AND SMOKE BARRIER (PRIORITY 4)		TWO HOUR RATED FIRE BARRIER (PRIORITY 3)		TWO HOUR RATED FIRE AND SMOKE BARRIER (PRIORITY 2)		THREE HOUR RATED FIRE AND SMOKE BARRIER (PRIORITY 1 - HIGHEST)				
	8\"/> <tr><td></td><td>6\"/> <tr><td></td><td>3 5/8\"/> <tr><td></td><td>3 5/8\"/> <tr><td></td><td>SMOKE TIGHT CONSTRUCTION WALLS AND CEILING</td></tr> <tr><td></td><td>ONE HOUR RATED FIRE BARRIER (PRIORITY 5 - LOWEST)</td></tr> <tr><td></td><td>ONE HOUR FIRE AND SMOKE BARRIER (PRIORITY 4)</td></tr> <tr><td></td><td>TWO HOUR RATED FIRE BARRIER (PRIORITY 3)</td></tr> <tr><td></td><td>TWO HOUR RATED FIRE AND SMOKE BARRIER (PRIORITY 2)</td></tr> <tr><td></td><td>THREE HOUR RATED FIRE AND SMOKE BARRIER (PRIORITY 1 - HIGHEST)</td></tr> </td></tr></td></tr></td></tr>		6\"/> <tr><td></td><td>3 5/8\"/> <tr><td></td><td>3 5/8\"/> <tr><td></td><td>SMOKE TIGHT CONSTRUCTION WALLS AND CEILING</td></tr> <tr><td></td><td>ONE HOUR RATED FIRE BARRIER (PRIORITY 5 - LOWEST)</td></tr> <tr><td></td><td>ONE HOUR FIRE AND SMOKE BARRIER (PRIORITY 4)</td></tr> <tr><td></td><td>TWO HOUR RATED FIRE BARRIER (PRIORITY 3)</td></tr> <tr><td></td><td>TWO HOUR RATED FIRE AND SMOKE BARRIER (PRIORITY 2)</td></tr> <tr><td></td><td>THREE HOUR RATED FIRE AND SMOKE BARRIER (PRIORITY 1 - HIGHEST)</td></tr> </td></tr></td></tr>		3 5/8\"/> <tr><td></td><td>3 5/8\"/> <tr><td></td><td>SMOKE TIGHT CONSTRUCTION WALLS AND CEILING</td></tr> <tr><td></td><td>ONE HOUR RATED FIRE BARRIER (PRIORITY 5 - LOWEST)</td></tr> <tr><td></td><td>ONE HOUR FIRE AND SMOKE BARRIER (PRIORITY 4)</td></tr> <tr><td></td><td>TWO HOUR RATED FIRE BARRIER (PRIORITY 3)</td></tr> <tr><td></td><td>TWO HOUR RATED FIRE AND SMOKE BARRIER (PRIORITY 2)</td></tr> <tr><td></td><td>THREE HOUR RATED FIRE AND SMOKE BARRIER (PRIORITY 1 - HIGHEST)</td></tr> </td></tr>		3 5/8\"/> <tr><td></td><td>SMOKE TIGHT CONSTRUCTION WALLS AND CEILING</td></tr> <tr><td></td><td>ONE HOUR RATED FIRE BARRIER (PRIORITY 5 - LOWEST)</td></tr> <tr><td></td><td>ONE HOUR FIRE AND SMOKE BARRIER (PRIORITY 4)</td></tr> <tr><td></td><td>TWO HOUR RATED FIRE BARRIER (PRIORITY 3)</td></tr> <tr><td></td><td>TWO HOUR RATED FIRE AND SMOKE BARRIER (PRIORITY 2)</td></tr> <tr><td></td><td>THREE HOUR RATED FIRE AND SMOKE BARRIER (PRIORITY 1 - HIGHEST)</td></tr>		SMOKE TIGHT CONSTRUCTION WALLS AND CEILING		ONE HOUR RATED FIRE BARRIER (PRIORITY 5 - LOWEST)		ONE HOUR FIRE AND SMOKE BARRIER (PRIORITY 4)		TWO HOUR RATED FIRE BARRIER (PRIORITY 3)		TWO HOUR RATED FIRE AND SMOKE BARRIER (PRIORITY 2)		THREE HOUR RATED FIRE AND SMOKE BARRIER (PRIORITY 1 - HIGHEST)						
	6\"/> <tr><td></td><td>3 5/8\"/> <tr><td></td><td>3 5/8\"/> <tr><td></td><td>SMOKE TIGHT CONSTRUCTION WALLS AND CEILING</td></tr> <tr><td></td><td>ONE HOUR RATED FIRE BARRIER (PRIORITY 5 - LOWEST)</td></tr> <tr><td></td><td>ONE HOUR FIRE AND SMOKE BARRIER (PRIORITY 4)</td></tr> <tr><td></td><td>TWO HOUR RATED FIRE BARRIER (PRIORITY 3)</td></tr> <tr><td></td><td>TWO HOUR RATED FIRE AND SMOKE BARRIER (PRIORITY 2)</td></tr> <tr><td></td><td>THREE HOUR RATED FIRE AND SMOKE BARRIER (PRIORITY 1 - HIGHEST)</td></tr> </td></tr></td></tr>		3 5/8\"/> <tr><td></td><td>3 5/8\"/> <tr><td></td><td>SMOKE TIGHT CONSTRUCTION WALLS AND CEILING</td></tr> <tr><td></td><td>ONE HOUR RATED FIRE BARRIER (PRIORITY 5 - LOWEST)</td></tr> <tr><td></td><td>ONE HOUR FIRE AND SMOKE BARRIER (PRIORITY 4)</td></tr> <tr><td></td><td>TWO HOUR RATED FIRE BARRIER (PRIORITY 3)</td></tr> <tr><td></td><td>TWO HOUR RATED FIRE AND SMOKE BARRIER (PRIORITY 2)</td></tr> <tr><td></td><td>THREE HOUR RATED FIRE AND SMOKE BARRIER (PRIORITY 1 - HIGHEST)</td></tr> </td></tr>		3 5/8\"/> <tr><td></td><td>SMOKE TIGHT CONSTRUCTION WALLS AND CEILING</td></tr> <tr><td></td><td>ONE HOUR RATED FIRE BARRIER (PRIORITY 5 - LOWEST)</td></tr> <tr><td></td><td>ONE HOUR FIRE AND SMOKE BARRIER (PRIORITY 4)</td></tr> <tr><td></td><td>TWO HOUR RATED FIRE BARRIER (PRIORITY 3)</td></tr> <tr><td></td><td>TWO HOUR RATED FIRE AND SMOKE BARRIER (PRIORITY 2)</td></tr> <tr><td></td><td>THREE HOUR RATED FIRE AND SMOKE BARRIER (PRIORITY 1 - HIGHEST)</td></tr>		SMOKE TIGHT CONSTRUCTION WALLS AND CEILING		ONE HOUR RATED FIRE BARRIER (PRIORITY 5 - LOWEST)		ONE HOUR FIRE AND SMOKE BARRIER (PRIORITY 4)		TWO HOUR RATED FIRE BARRIER (PRIORITY 3)		TWO HOUR RATED FIRE AND SMOKE BARRIER (PRIORITY 2)		THREE HOUR RATED FIRE AND SMOKE BARRIER (PRIORITY 1 - HIGHEST)								
	3 5/8\"/> <tr><td></td><td>3 5/8\"/> <tr><td></td><td>SMOKE TIGHT CONSTRUCTION WALLS AND CEILING</td></tr> <tr><td></td><td>ONE HOUR RATED FIRE BARRIER (PRIORITY 5 - LOWEST)</td></tr> <tr><td></td><td>ONE HOUR FIRE AND SMOKE BARRIER (PRIORITY 4)</td></tr> <tr><td></td><td>TWO HOUR RATED FIRE BARRIER (PRIORITY 3)</td></tr> <tr><td></td><td>TWO HOUR RATED FIRE AND SMOKE BARRIER (PRIORITY 2)</td></tr> <tr><td></td><td>THREE HOUR RATED FIRE AND SMOKE BARRIER (PRIORITY 1 - HIGHEST)</td></tr> </td></tr>		3 5/8\"/> <tr><td></td><td>SMOKE TIGHT CONSTRUCTION WALLS AND CEILING</td></tr> <tr><td></td><td>ONE HOUR RATED FIRE BARRIER (PRIORITY 5 - LOWEST)</td></tr> <tr><td></td><td>ONE HOUR FIRE AND SMOKE BARRIER (PRIORITY 4)</td></tr> <tr><td></td><td>TWO HOUR RATED FIRE BARRIER (PRIORITY 3)</td></tr> <tr><td></td><td>TWO HOUR RATED FIRE AND SMOKE BARRIER (PRIORITY 2)</td></tr> <tr><td></td><td>THREE HOUR RATED FIRE AND SMOKE BARRIER (PRIORITY 1 - HIGHEST)</td></tr>		SMOKE TIGHT CONSTRUCTION WALLS AND CEILING		ONE HOUR RATED FIRE BARRIER (PRIORITY 5 - LOWEST)		ONE HOUR FIRE AND SMOKE BARRIER (PRIORITY 4)		TWO HOUR RATED FIRE BARRIER (PRIORITY 3)		TWO HOUR RATED FIRE AND SMOKE BARRIER (PRIORITY 2)		THREE HOUR RATED FIRE AND SMOKE BARRIER (PRIORITY 1 - HIGHEST)										
	3 5/8\"/> <tr><td></td><td>SMOKE TIGHT CONSTRUCTION WALLS AND CEILING</td></tr> <tr><td></td><td>ONE HOUR RATED FIRE BARRIER (PRIORITY 5 - LOWEST)</td></tr> <tr><td></td><td>ONE HOUR FIRE AND SMOKE BARRIER (PRIORITY 4)</td></tr> <tr><td></td><td>TWO HOUR RATED FIRE BARRIER (PRIORITY 3)</td></tr> <tr><td></td><td>TWO HOUR RATED FIRE AND SMOKE BARRIER (PRIORITY 2)</td></tr> <tr><td></td><td>THREE HOUR RATED FIRE AND SMOKE BARRIER (PRIORITY 1 - HIGHEST)</td></tr>		SMOKE TIGHT CONSTRUCTION WALLS AND CEILING		ONE HOUR RATED FIRE BARRIER (PRIORITY 5 - LOWEST)		ONE HOUR FIRE AND SMOKE BARRIER (PRIORITY 4)		TWO HOUR RATED FIRE BARRIER (PRIORITY 3)		TWO HOUR RATED FIRE AND SMOKE BARRIER (PRIORITY 2)		THREE HOUR RATED FIRE AND SMOKE BARRIER (PRIORITY 1 - HIGHEST)												
	SMOKE TIGHT CONSTRUCTION WALLS AND CEILING																								
	ONE HOUR RATED FIRE BARRIER (PRIORITY 5 - LOWEST)																								
	ONE HOUR FIRE AND SMOKE BARRIER (PRIORITY 4)																								
	TWO HOUR RATED FIRE BARRIER (PRIORITY 3)																								
	TWO HOUR RATED FIRE AND SMOKE BARRIER (PRIORITY 2)																								
	THREE HOUR RATED FIRE AND SMOKE BARRIER (PRIORITY 1 - HIGHEST)																								



101.1 ADMINISTRATION / MEDIA CENTER / STUDENT SERVICES: POWER PLAN

SCALE: 1/8\"/>

Hite associates
 ARCHITECTURE / ENGINEERING / TECHNOLOGY
 2600 Meridian Drive / Greenville, NC 27834 / Tel: (252) 757-0333

Project No. 21131
 Date: 28 March 2012
 Drawing No. **E 101**

PANEL BOARD SCHEDULE 11A		400 AMP MB 65,000			480/277V 3PH, 4W A.I.C. FED FROM SERVICE		
LOAD SERVED	LOAD A B C	CB	PHASE A B C	CB	LOAD A B C	LOAD SERVED	
LTG. RM. 102,103,104,105,106,107,108,109,110,111	9	20	1	2	20	11	HAND DRIVER
LTG. RM. 101,102,103,104,105,106,107,108,109,110	12	20	3	4	20	11	HAND DRIVER
LTG. RM. CORRIDOR 100 MAIN LOBBY	8	20	5	6	20	8	PARKING LOT LIGHTS
LTG. RM. CORRIDOR 100 MAIN LOBBY	8	20	7	8	20	-	SPARE
LTG. RM. 121	6	20	9	10	20	-	SPARE
LTG. RM. 121	10	20	11	12	20	-	SPARE
LTG. RM. 122,123,124,125,126,127	8	20	13	14	20	-	SPARE
LTG. RM. CORRIDOR 100,102,103	8	20	15	16	20	-	SPARE
LTG. RM. 128,129,130,131	8	20	17	18	20	-	SPARE
LTG. RM. 134,135,136	8	20	19	20	20	-	SPARE
EXTERIOR LIGHTING	8	20	21	22	20	2	FC-100,121
LTG. RM. 137 EQUIPMENT PLATFORM	3	20	23	24	20	2	3*12 & 1*102 IN 3/4" C
SPARE	-	20	25	26	20	6	FC-122,128,131,140,141
SPARE	-	20	27	28	20	6	3*12 & 1*102 IN 3/4" C
SPARE	-	20	29	30	20	-	SPARE
SPACE	-	31	31	32	20	4	FC-101,102,134,135
SPACE	-	33	33	34	20	4	3*12 & 1*102 IN 3/4" C
SPACE	-	35	35	36	20	4	3*12 & 1*102 IN 3/4" C
T-1B (PANEL 1CA, 1CB)	139	37	37	38	20	82	T-1A IPANEL 1PA, 1PB
	125	70	39	40	20	65	
	131	41	41	42	20	69	
LOAD IS EXPRESSED IN AMPS							TOTAL LOAD = 277 AMPS
PROVIDE CIRCUIT BREAKER LOCK							



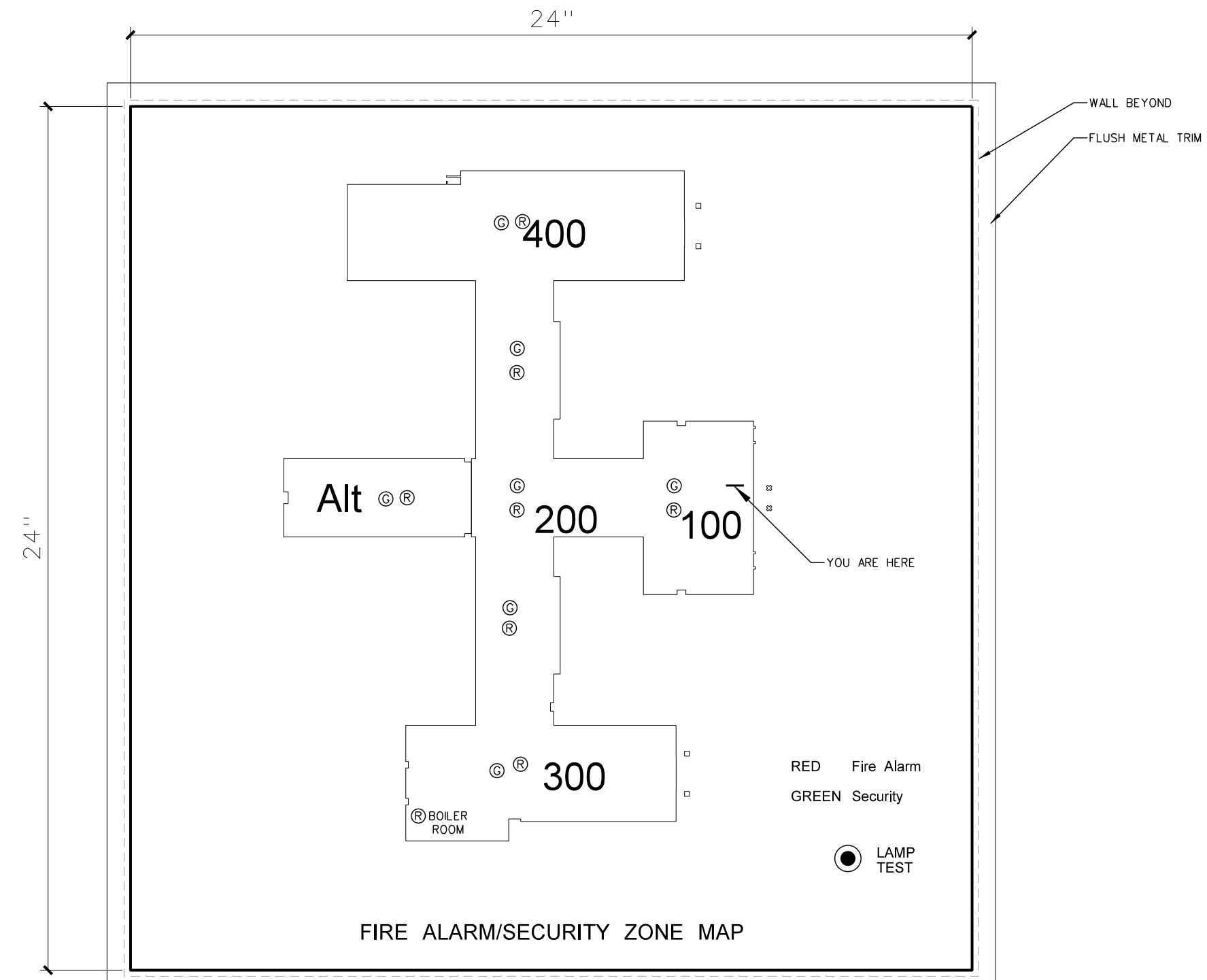
SWITCHBANK TABLE	
MARK	SERVICE
\$\$\$ _{A,B}	MEDIA CONTROL DESK, REFERENCE
\$\$\$ _{C,D}	MEDIA CENTER
\$\$\$ _{E,F}	BOOK STACKS
\$\$\$ _{G,H}	LEISURE READING
NOTE: ALL 3-WAY SWITCHES ARE NOTED ON PLAN	

102.2 MEDIA CENTER SWITCHBANK DETAIL
SCALE: none

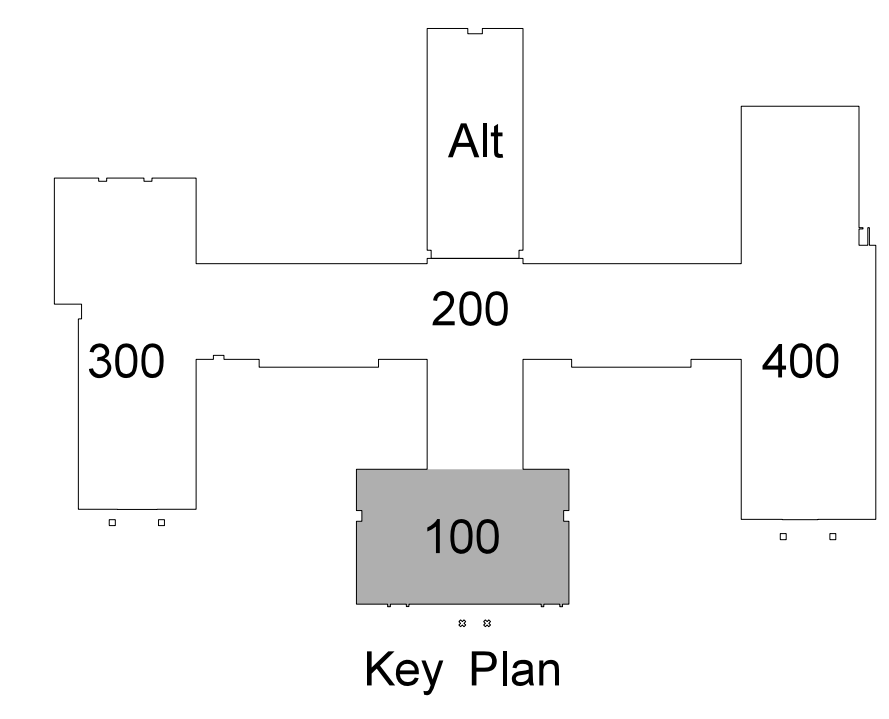
102.1 ADMINISTRATION / MEDIA CENTER / STUDENT SERVICES:
LIGHTING / FIRE ALARM PLAN
SCALE: 1/8" = 1'-0"

ELECTRICAL EQUIPMENT MOUNTING HEIGHTS		
DEVICE	MT HEIGHT	TO
PANELBOARDS	6'-6" AFF TOP	TOP
TOGGLE SWITCH (GYPBOARD)	4'-0" AFF TOP	TOP
RECEPTACLES (BASE CABINET)	1'-6" AFF	⊕
RECEPTACLES (BASE CABINET)	7'-0" AFF	⊕
VOICE/DATA OUTLETS (GYPBOARD)	1'-6" AFF	⊕
FIRE ALARM PULL STATIONS (GYPBOARD)	4'-0" AFF TOP	TOP
EMERGENCY LIGHTS	12" BFC	TOP
STROBE/HORNS	96" AFF TOP	TOP
REMOTE ANNUNCIATOR PANEL (RAP)	4'-0" AFF	⊕
THERMOSTATS	48" AFF TOP	TOP

1) TYPICAL MOUNTING HEIGHTS ARE LISTED UNLESS NOTED OTHERWISE
 2) BFC-BELOW FINISHED C.L.G., AFC-ABOVE FINISHED CABINET
 3) FOR MAX 10'-0" CEILINGS, HIGHER CEILINGS MOUNT 9'-0" OR AS DIMENSIONED FROM ARCHITECTURAL ELEVATIONS OR AS DIRECTED BY ENGINEER
 4) CONTRACTOR SHALL REFERENCE ARCHITECTURAL ELEVATIONS FOR FINAL OUTLET MOUNTING HEIGHT AND LOCATION

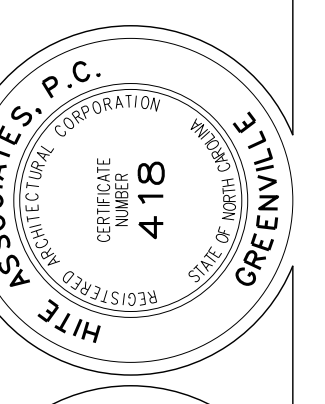


102.4 GRAPHIC ANNUNCIATOR DETAIL
SCALE: NONE



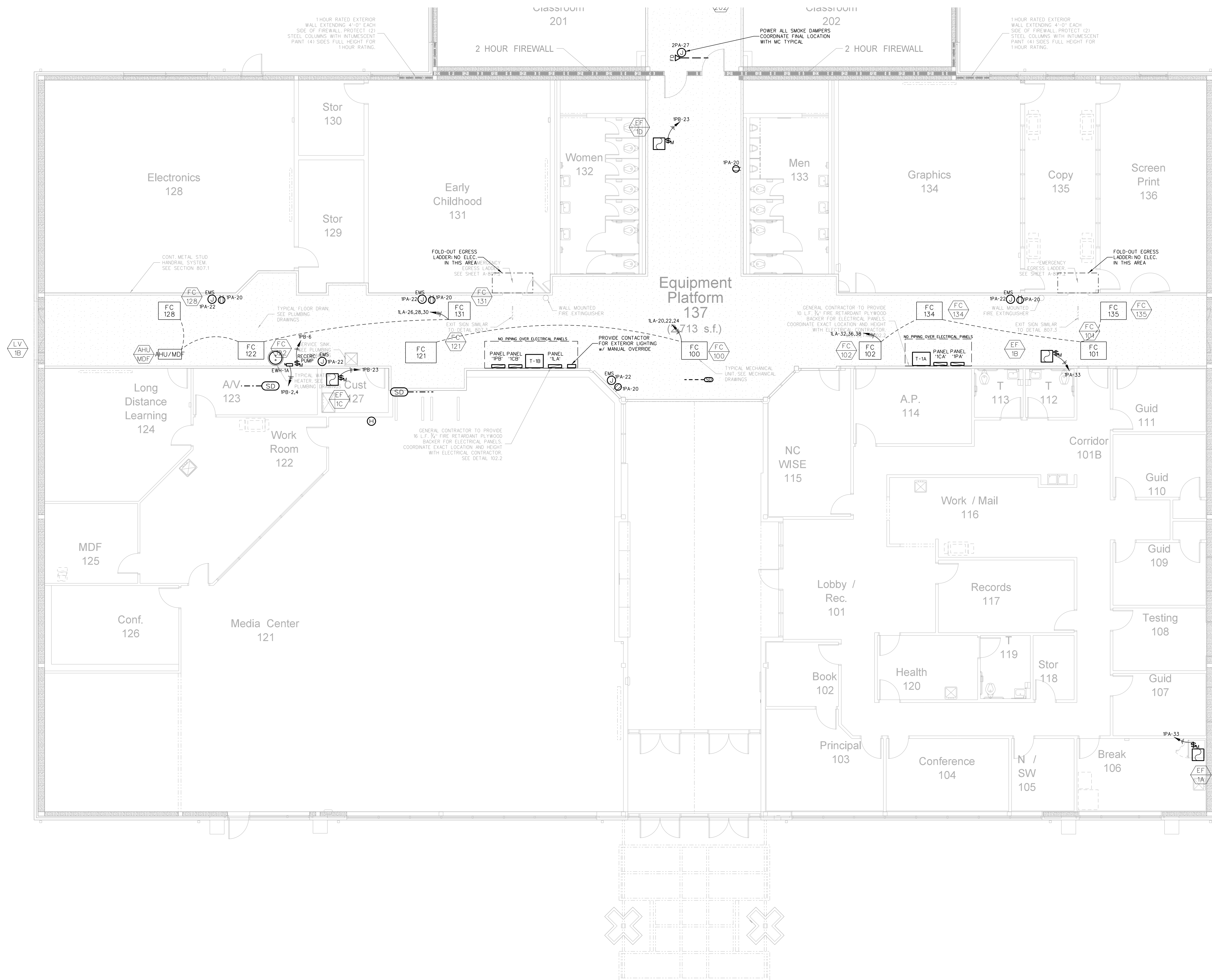
No.	Date

Hite associates
 ARCHITECTURE / ENGINEERING / TECHNOLOGY
 2600 Meridian Drive / Greenville, NC 27834 / tel (252) 757-0333

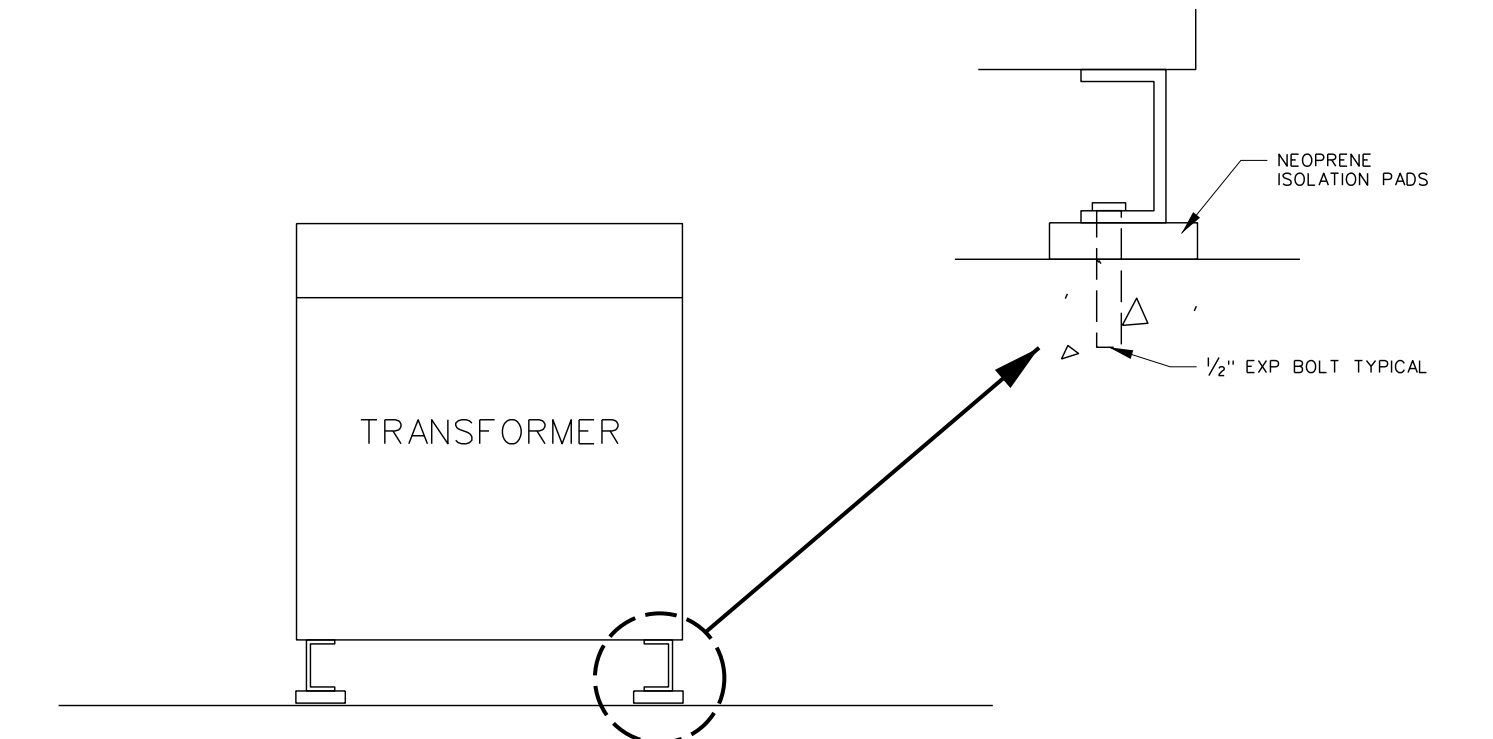


RECORD DRAWING
Bertie High School
 Bertie County Schools
 716 US 13 North / NCDPS Unit 080 - School 312
 Windsor / Bertie County / North Carolina

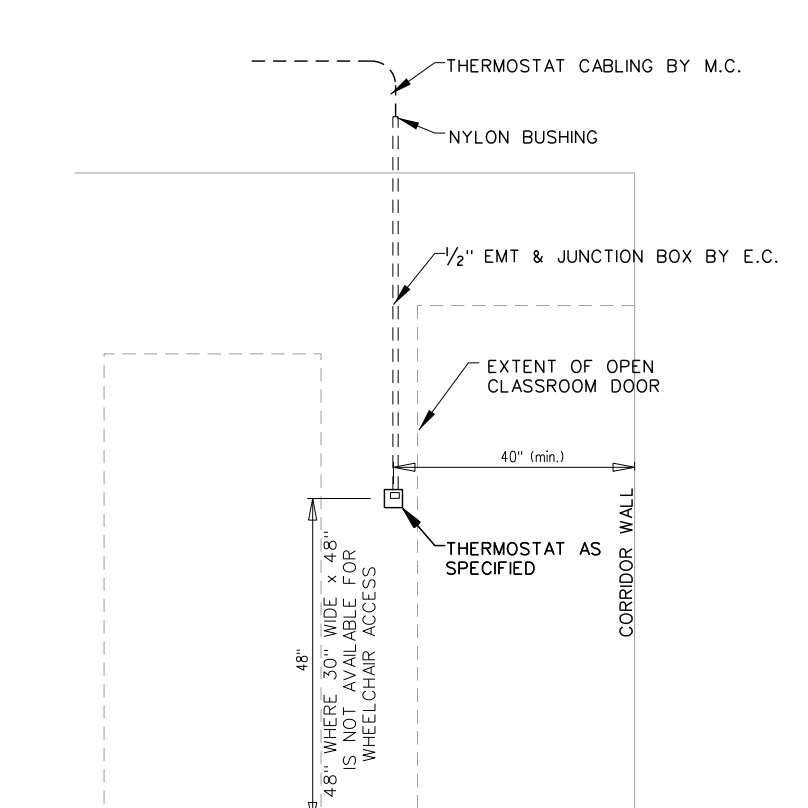
Project No. 21131
 Date: 28 March 2012
 Drawing No. **E 102**



103.1 ADMINISTRATION / MEDIA CENTER / STUDENT SERVICES: EQUIPMENT PLATFORM POWER PLAN
SCALE: 1/8" = 1'-0"



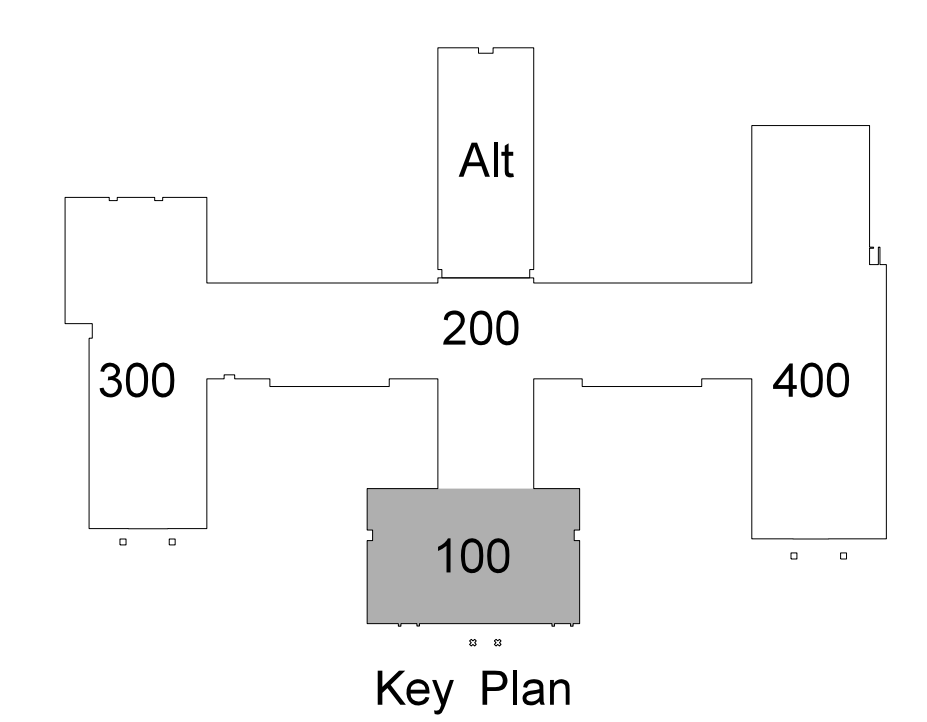
103.3 TRANSFORMER DETAIL
SCALE: none



103.2 T-STAT INSTALLATION DETAIL
SCALE: none

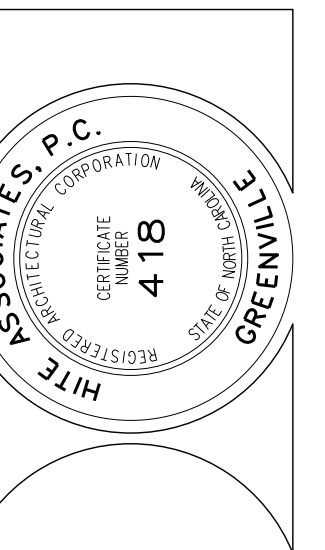
ELECTRICAL EQUIPMENT MOUNTING HEIGHTS		
DEVICE	MT HEIGHT	TO
PANELBOARDS	6'-6" AFF	TOP
TOGGLE SWITCH (GYBOARD)	4'-0" AFF	TOP
RECEPTACLES (GYBOARD)	1'-6" AFF	℄
RECEPTACLES (BASE CABINETS)	-7" AFC	℄
VOICE/DATA OUTLETS (GYBOARD)	1'-6" AFF	℄
FIRE ALARM PULL STATIONS (GYBOARD)	4'-0" AFF	TOP
EMERGENCY LIGHTS	12" BFC	TOP ³
STROBE/HORN	96" AFF	TOP
REMOTE ANNUNCIATOR PANEL (RAP)	4'-0" AFF	℄
THERMOSTATS	48" AFF	TOP

1) TYPICAL MOUNTING HEIGHTS ARE LISTED UNLESS NOTED OTHERWISE
 2) BFC=BELOW FINISHED C.L.G., AFC=ABOVE FINISHED CABINET
 3) FOR MAX 10'-0" CEILINGS, HIGHER CEILING MOUNT 9'-0" OR AS DIMENSIONED FROM ARCHITECTURAL ELEVATIONS OR AS DIRECTED BY ENGINEER
 4) CONTRACTOR SHALL REFERENCE ARCHITECTURAL ELEVATIONS FOR FINAL OUTLET MOUNTING HEIGHT AND LOCATION



No.	Date	Revision

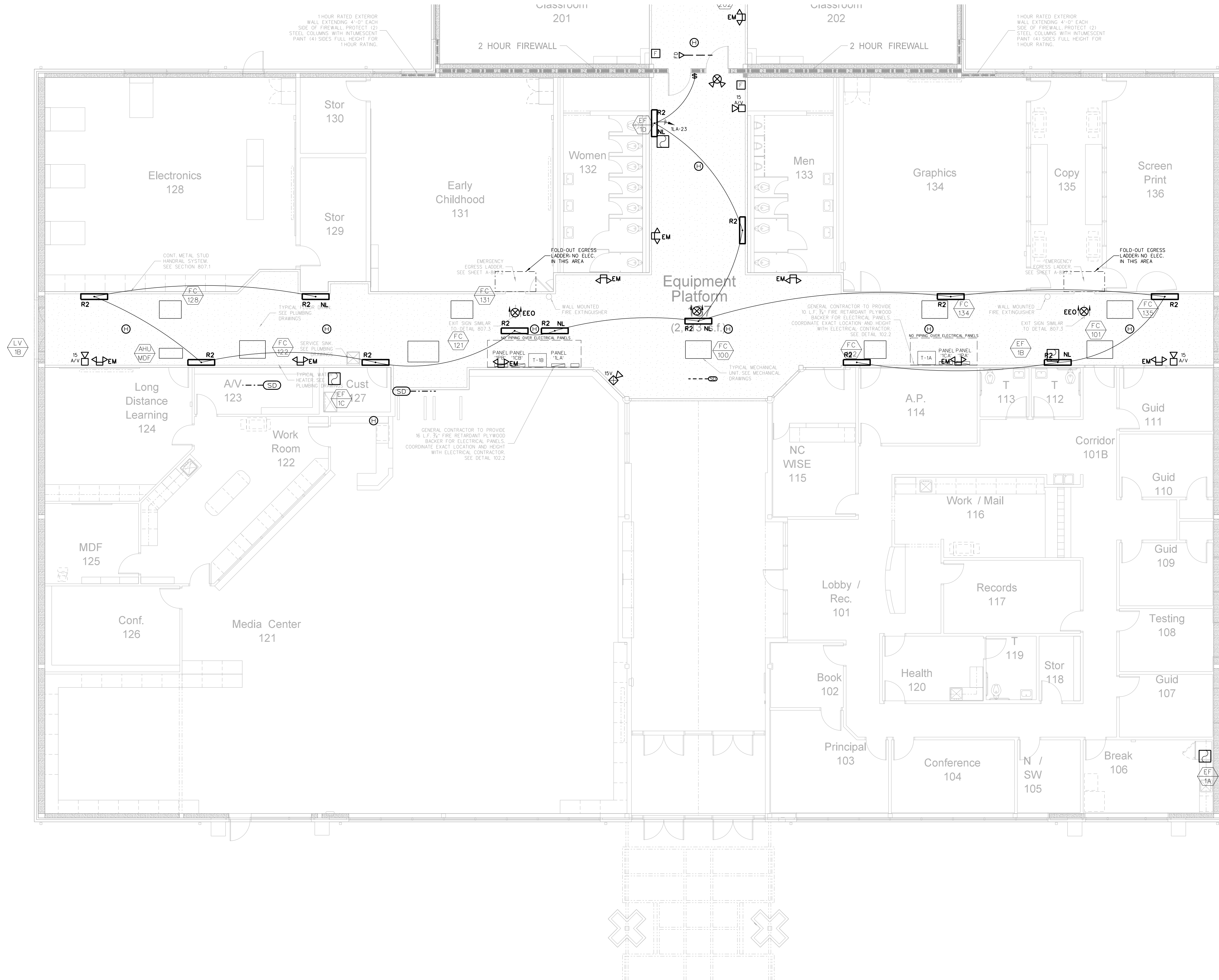
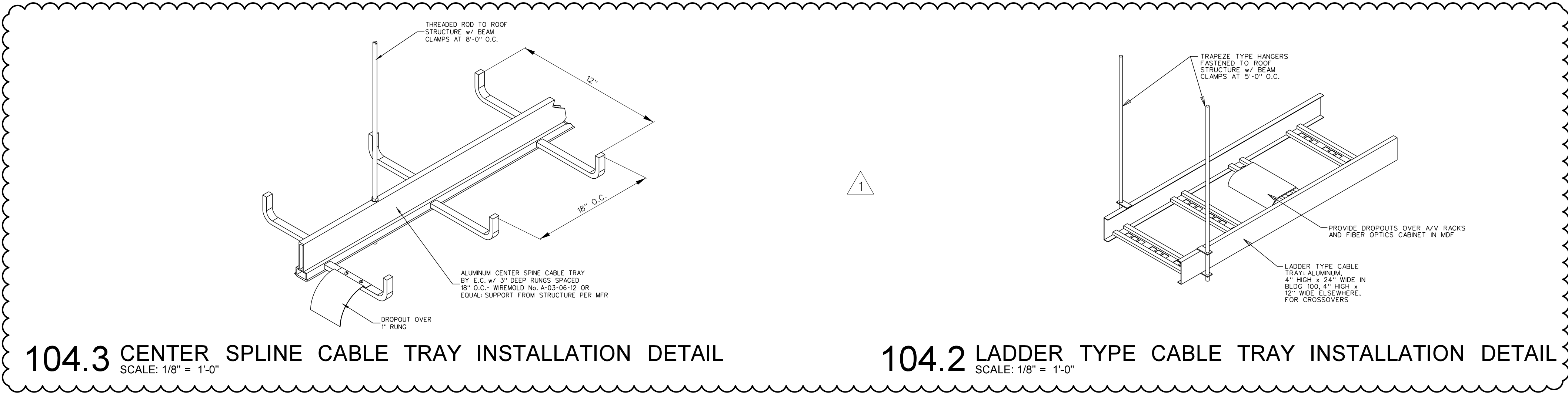
Hite associates
ARCHITECTURE / ENGINEERING / TECHNOLOGY
2600 Meridian Drive / Greenville, NC 27834 / tel (252) 757-0333



RECORD DRAWING

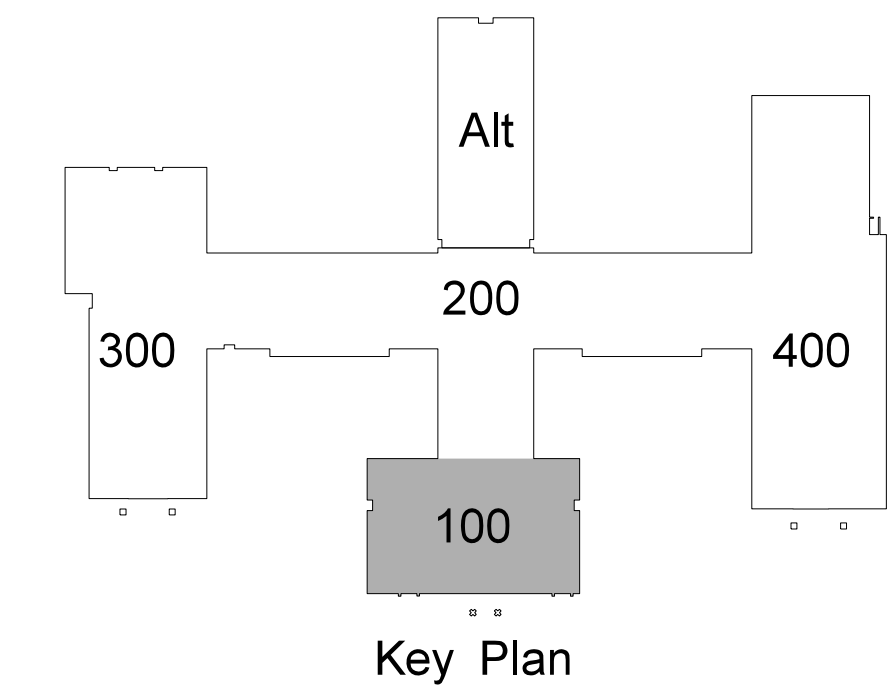
RECORD DRAWING
New Bertie High School
Bertie County Schools
716 US 13 North / NCDPS Unit 080 - School 312
Windsor / Bertie County / North Carolina

Project No. 21131
Date: 28 March 2012
Drawing no. **E 103**



DEVICE	MT HEIGHT	TO
PANELBOARDS	6'-6" AFF	TOP
TOGGLE SWITCH (GYBOARD)	4'-0" AFF	TOP
RECEPTACLES (GYBOARD)	1'-6" AFF	⊥
RECEPTACLES (BASE CABINETS)	-7" AFC	⊥
VOICE/DATA OUTLETS (GYBOARD)	1'-6" AFF	⊥
FIRE ALARM PULL STATIONS (GYBOARD)	4'-0" AFF	TOP
EMERGENCY LIGHTS	12" BFC	TOP ³
STROBE/HORNS	96" AFF	TOP
REMOTE ANNUNCIATOR PANEL (RAP)	4'-0" AFF	⊥
THERMOSTATS	48" AFF	TOP

1) TYPICAL MOUNTING HEIGHTS ARE LISTED UNLESS NOTED OTHERWISE
 2) BFC=BELOW FINISHED C.L.G., AFC=ABOVE FINISHED CABINET
 3) FOR MAX 10'-0" CEILINGS, LOWER CEILING MOUNT 9'-0" OR AS DIMENSIONED FROM ARCHITECTURAL ELEVATIONS OR AS DIRECTED BY ENGINEER
 4) CONTRACTOR SHALL REFERENCE ARCHITECTURAL ELEVATIONS FOR FINAL OUTLET MOUNTING HEIGHT AND LOCATION



104.1 ADMINISTRATION / MEDIA CENTER / STUDENT SERVICES: EQUIPMENT PLATFORM LIGHTING / FIRE ALARM PLAN
SCALE: 1/8" = 1'-0"

Hite associates
ARCHITECTURE / ENGINEERING / TECHNOLOGY
2600 Meridian Drive / Greenville, NC 27834 / tel (252) 757-0833

RECORD DRAWING
Bertie High School
Bertie County Schools
716 US 13 North / NCDPS Unit 080 - School 312
Windsor / Bertie County / North Carolina

Project No. 21131
Date: 28 March 2012
Drawing no. E 104

PANEL BOARD SCHEDULE 2CC		150 AMP MB 10,000 A.I.C. FED FROM SERVICE		208/120V 3PH, 4W		A.I.C. FED FROM SERVICE	
LOAD SERVED	LOAD A B C	CB	CKT	PHASE A B C	CKT	LOAD A B C	LOAD SERVED
RECEPT. RM. 228	6	20	1	2	20	9	RECEPT. RM. 224
RECEPT. RM. 228	6	20	3	4	20	9	RECEPT. RM. 224
RECEPT. RM. 228	6	20	5	6	20	9	RECEPT. RM. 224
RECEPT. RM. 228	6	20	7	8	20	9	RECEPT. RM. 220
RECEPT. RM. 228	6	20	9	10	20	9	RECEPT. RM. 220
RECEPT. RM. 228	6	20	11	12	20	9	RECEPT. RM. 220
RECEPT. RM. 228	6	20	13	14	20	9	RECEPT. RM. 219
RECEPT. RM. 228	6	20	15	16	20	6	RECEPT. RM. 217
RECEPT. RM. 228	6	20	17	18	20	10	RECEPT. RM. 217,219
RECEPT. RM. 228	10	20	19	20	20	6	RECEPT. RM. 218
RECEPT. RM. 229	6	20	21	22	20	6	RECEPT. RM. 218
RECEPT. RM. 229	6	20	23	24	20	-	SPACE
RECEPT. RM. 227,229	6	20	25	26	20	-	SPACE
RECEPT. RM. 227	6	20	27	28	20	-	SPACE
RECEPT. RM. 227	6	20	29	30	20	-	SPACE
RECEPT. RM. 221,225	10	20	31	32	20	-	SPACE
RECEPT. RM. 225	6	20	33	34	-	-	SPACE
RECEPT. RM. 225	6	20	35	36	-	-	SPACE
RECEPT. RM. 221	6	20	37	38	-	-	SPACE
RECEPT. RM. 221	6	20	39	40	-	-	SPACE
RECEPT. RM. 219	6	20	41	42	-	-	SPACE
LOAD IS EXPRESSED IN AMPS				TOTAL LOAD = 63 AMPS			
PROVIDE CIRCUIT BREAKER LOCK							

PANEL BOARD SCHEDULE 2PC		150 AMP MB 10,000 A.I.C. FED FROM SERVICE		208/120V 3PH, 4W		A.I.C. FED FROM SERVICE	
LOAD SERVED	LOAD A B C	CB	CKT	PHASE A B C	CKT	LOAD A B C	LOAD SERVED
RECEPT. RM. 228	6	20	1	2	20	9	RECEPT. RM. 224
RECEPT. RM. 227,229	6	20	3	4	20	2	RECEPT. RM. 222
RECEPT. RM. 227,229	6	20	5	6	20	10	RECEPT. RM. 222
RECEPT. RM. 217,219	6	20	7	8	20	3	RECEPT. RM. 222
RECEPT. RM. 217	8	20	9	10	20	3	RECEPT. RM. 222
RECEPT. RM. 218	3	20	11	12	20	8	RECEPT. RM. 220
RECEPT. CORRIDOR 200	6	20	13	14	20	2	RECIRCULATION PUMP
EF-2H	4	15	15	16	30	22	EMH-2B
EF-2A	4	10	17	18	30	22	3/4" & 1/2" IN 3/4" C
SMOKE DAMPERS	4	20	19	20	20	22	EMH-2B
SPARE	-	20	21	22	20	22	3/4" & 1/2" IN 3/4" C
SPARE	-	20	23	24	20	5	EMS
SPARE	-	20	25	26	20	8	RECEPT. RM. 260 EQUIP. PLATFORM
SPARE	-	20	27	28	20	-	SPACE
SPARE	-	20	29	30	20	-	SPACE
SPARE	-	20	31	32	20	-	SPACE
SPARE	-	20	33	34	-	-	SPACE
SPARE	-	20	35	36	-	-	SPACE
SPARE	-	20	37	38	-	-	SPACE
SPARE	-	20	39	40	-	-	SPACE
SPARE	-	20	41	42	-	-	SPACE
LOAD IS EXPRESSED IN AMPS				TOTAL LOAD = 63 AMPS			
PROVIDE CIRCUIT BREAKER LOCK							

PANEL BOARD SCHEDULE P220		100 AMP MB 10,000 A.I.C. FED FROM SERVICE		208/120V 3PH, 4W		WITH SHUNT TRIP	
LOAD SERVED	LOAD A B C	CB	CKT	PHASE A B C	CKT	LOAD A B C	LOAD SERVED
PORTABLE HEAT ELEMENT - RM 220	9	20	1	2	20	9	PORTABLE HEAT ELEMENT - RM 220
PORTABLE HEAT ELEMENT - RM 220	9	20	3	4	20	9	PORTABLE HEAT ELEMENT - RM 220
PORTABLE HEAT ELEMENT - RM 220	9	20	5	6	20	2	RECEPT. RM. 220
PORTABLE HEAT ELEMENT - RM 220	9	20	7	8	20	2	RECEPT. RM. 220
PORTABLE HEAT ELEMENT - RM 220	9	20	9	10	20	2	RECEPT. RM. 220
PORTABLE HEAT ELEMENT - RM 220	9	20	11	12	20	2	RECEPT. RM. 220
PORTABLE HEAT ELEMENT - RM 220	9	20	13	14	20	2	RECEPT. RM. 220
PORTABLE HEAT ELEMENT - RM 220	9	20	15	16	20	2	RECEPT. RM. 220
PORTABLE HEAT ELEMENT - RM 220	9	20	17	18	20	1	HVC WATER VALVE E-STOP
PORTABLE HEAT ELEMENT - RM 220	9	20	19	20	20	-	SPACE
PORTABLE HEAT ELEMENT - RM 220	9	20	21	22	20	-	SPACE
PORTABLE HEAT ELEMENT - RM 220	9	20	23	24	20	-	SPACE
LOAD IS EXPRESSED IN AMPS				TOTAL LOAD = 49 AMPS			
PROVIDE CIRCUIT BREAKER LOCK							

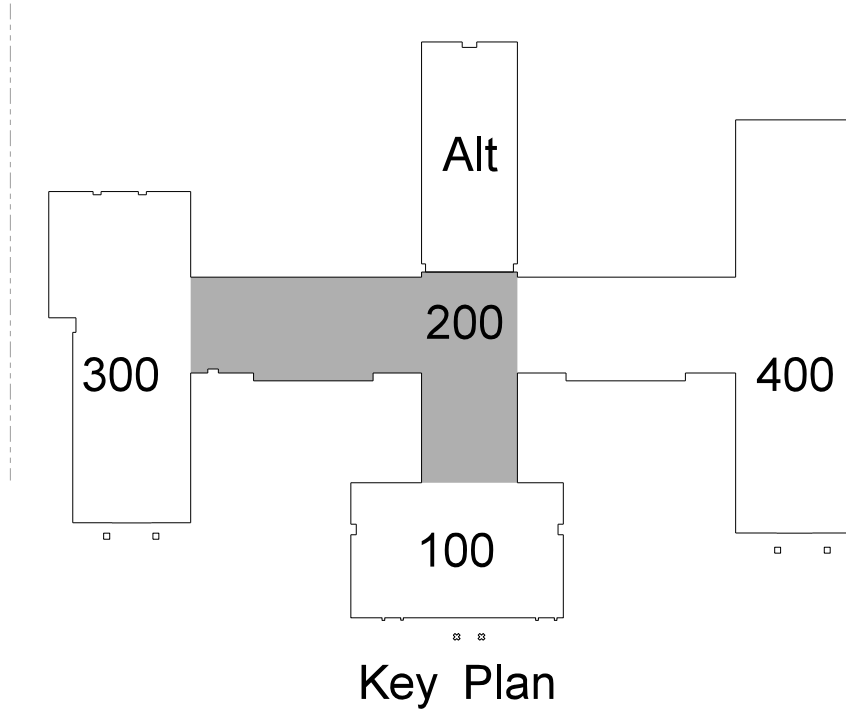
PANEL BOARD SCHEDULE B224		100 AMP MB 10,000 A.I.C. FED FROM SERVICE		208/120V 3PH, 4W		WITH SHUNT TRIP	
LOAD SERVED	LOAD A B C	CB	CKT	PHASE A B C	CKT	LOAD A B C	LOAD SERVED
PORTABLE HEAT ELEMENT - RM 224	9	20	1	2	20	9	PORTABLE HEAT ELEMENT - RM 224
PORTABLE HEAT ELEMENT - RM 224	9	20	3	4	20	9	PORTABLE HEAT ELEMENT - RM 224
PORTABLE HEAT ELEMENT - RM 224	9	20	5	6	20	2	RECEPT. RM. 224
PORTABLE HEAT ELEMENT - RM 224	9	20	7	8	20	2	RECEPT. RM. 224
PORTABLE HEAT ELEMENT - RM 224	9	20	9	10	20	2	RECEPT. RM. 224
PORTABLE HEAT ELEMENT - RM 224	9	20	11	12	20	2	RECEPT. RM. 224
PORTABLE HEAT ELEMENT - RM 224	9	20	13	14	20	2	RECEPT. RM. 224
PORTABLE HEAT ELEMENT - RM 224	9	20	15	16	20	2	RECEPT. RM. 224
PORTABLE HEAT ELEMENT - RM 224	9	20	17	18	20	1	HVC WATER VALVE E-STOP
PORTABLE HEAT ELEMENT - RM 224	9	20	19	20	20	-	SPACE
PORTABLE HEAT ELEMENT - RM 224	9	20	21	22	20	-	SPACE
PORTABLE HEAT ELEMENT - RM 224	9	20	23	24	20	-	SPACE
LOAD IS EXPRESSED IN AMPS				TOTAL LOAD = 49 AMPS			
PROVIDE CIRCUIT BREAKER LOCK							

PANEL BOARD SCHEDULE 2CA		70 AMP MB 10,000 A.I.C. FED FROM SERVICE		208/120V 3PH, 4W		A.I.C. FED FROM SERVICE	
LOAD SERVED	LOAD A B C	CB	CKT	PHASE A B C	CKT	LOAD A B C	LOAD SERVED
RECEPT. RM. 201	6	20	1	2	20	-	SPACE
RECEPT. RM. 201	6	20	3	4	20	-	SPACE
RECEPT. RM. 201,203	10	20	5	6	20	-	SPACE
RECEPT. RM. 203	6	20	7	8	20	-	SPACE
RECEPT. RM. 203	6	20	9	10	20	-	SPACE
RECEPT. RM. 205	6	20	11	12	20	-	SPACE
RECEPT. RM. 205	6	20	13	14	20	-	SPACE
RECEPT. RM. 205,207	10	20	15	16	20	-	SPACE
RECEPT. RM. 207	6	20	17	18	20	-	SPACE
RECEPT. RM. 207	6	20	19	20	20	-	SPACE
RECEPT. RM. 209	6	20	21	22	20	-	SPACE
RECEPT. RM. 211	6	20	23	24	20	-	SPACE
RECEPT. RM. 211	6	20	25	26	20	-	SPACE
SPARE	-	20	27	28	20	-	SPACE
SPARE	-	20	29	30	20	-	SPACE
SPARE	-	20	31	32	20	-	SPACE
SPARE	-	20	33	34	20	-	SPACE
SPARE	-	20	35	36	20	-	SPACE
SPARE	-	20	37	38	20	-	SPACE
SPARE	-	20	39	40	20	-	SPACE
SPARE	-	20	41	42	20	-	SPACE
LOAD IS EXPRESSED IN AMPS				TOTAL LOAD = 31 AMPS			
PROVIDE CIRCUIT BREAKER LOCK							

PANEL BOARD SCHEDULE 2PA		100 AMP MB 10,000 A.I.C. FED FROM SERVICE		208/120V 3PH, 4W		A.I.C. FED FROM SERVICE	
LOAD SERVED	LOAD A B C	CB	CKT	PHASE A B C	CKT	LOAD A B C	LOAD SERVED
RECEPT. RM. 201,203,205	6	20	1	2	20	9	HOT BOX
RECEPT. RM. 207,209	6	20	3	4	20	9	SPACE
RECEPT. CORRIDOR 200	8	20	5	6	20	-	SPACE
RECEPT. RM. 202,204,206	9	20	7	8	20	-	SPACE
RECEPT. RM. 202,204,206	9	20	9	10	20	-	SPACE
RECEPT. CORRIDOR 200	6	20	11	12	20	-	SPACE
RECEPT. RM. 211	5	20	13	14	20	-	SPACE
RECEPT. RM. 211 VENDING	10	20	15	16	20	-	SPACE
RECEPT. RM. 211 VENDING	10	20	17	18	20	-	SPACE
RECEPT. RM. 211,213,214	6	20	19	20	20	-	SPACE
RECEPT. RM. 211 REIF.	10	20	21	22	20	-	SPACE
EMS	6	20	23	24	20	-	SPACE
RECEPT. RM. 261	3	20	25	26	20	-	SPACE
RECEPT. RM. 260 EQUIP. PLATFORM	9	20	27	28	20	-	SPACE
EMS	2	20	29	30	20	-	SPACE
SPARE	-	20	31	32	20	-	SPACE
EF-2B	6	18	33	34	-	-	SPACE
SSS-2A/2B	17	35	35	36	-	-	SPACE
3/4" & 1/2" IN 3/4" C	17	37	37	38	-	-	SPACE
SPACE	-	20	39	40	-	-	SPACE
SPACE	-	20	41	42	-	-	SPACE
LOAD IS EXPRESSED IN AMPS				TOTAL LOAD = 65 AMPS			
PROVIDE CIRCUIT BREAKER LOCK							

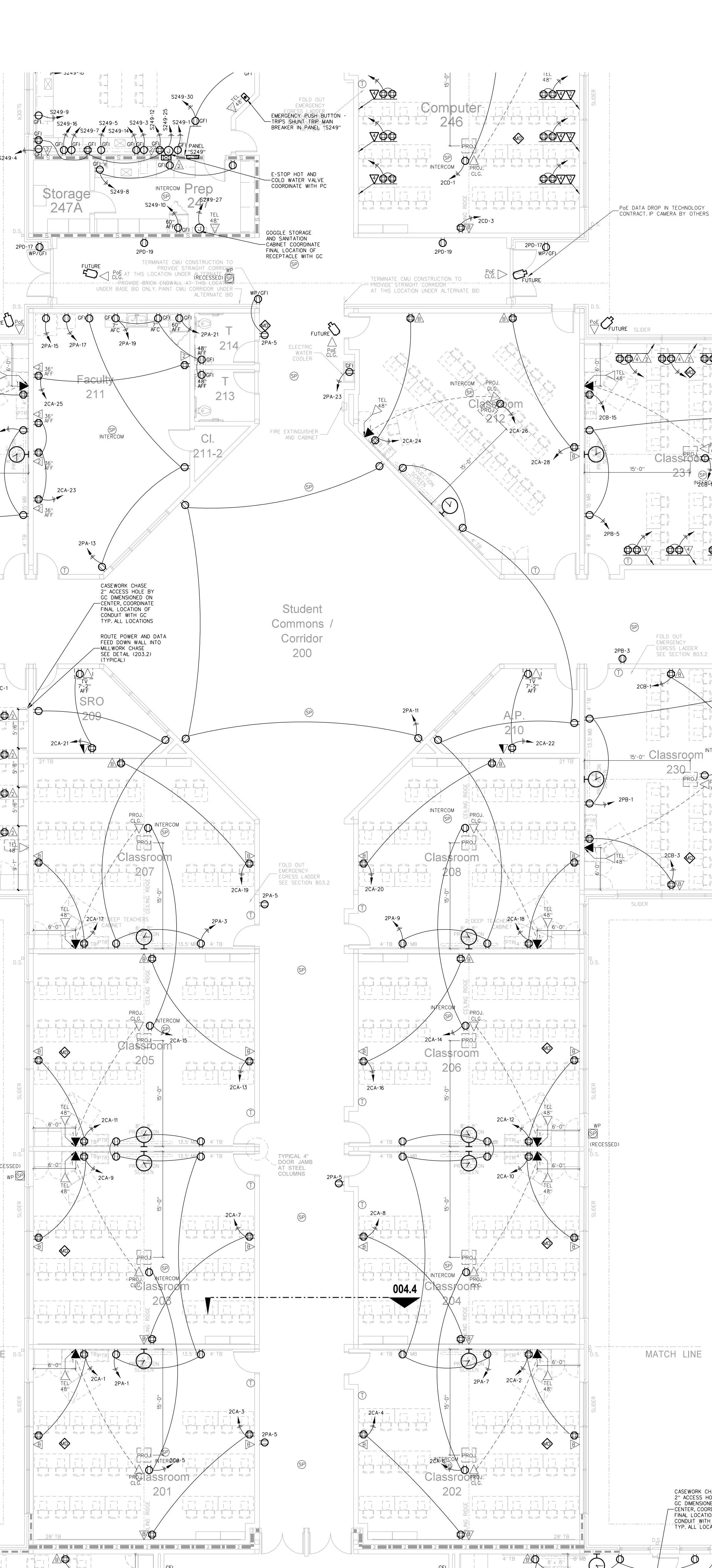
DEVICE	MT HEIGHT	TO
PANELBOARDS	6'-0" AFF	TOP
TOGGLE SWITCH (GYBOARD)	4'-0" AFF	TOP
RECEPTACLES (GYBOARD)	7'-6" AFF	TOP
RECEPTACLES (BASE CABINETS)	7'-0" AFF	TOP
VOICE/DATA OUTLETS (GYBOARD)	7'-6" AFF	TOP
FIRE ALARM PULL STATIONS (GYBOARD)	4'-0" AFF	TOP
EMERGENCY LIGHTS	12" BFC	TOP
STROBE/HORNS	96" AFF	TOP
REMOTE ANNUNCIATOR PANEL (RAP)	4'-0" AFF	TOP
THERMOSTATS	48" AFF	TOP

1) TYPICAL MOUNTING HEIGHTS ARE LISTED UNLESS NOTED OTHERWISE
 2) BFC=BELOW FINISHED C.C., AFC=ABOVE FINISHED CABINET
 3) FOR MAX 10'-0" CEILINGS, HIGHER CEILING MOUNT 9'-0" OR AS DETERMINED FROM ARCHITECTURAL ELEVATIONS OR AS DIRECTED BY ENGINEER
 4) CONTRACTOR SHALL REFERENCE ARCHITECTURAL ELEVATIONS FOR FINAL OUTLET MOUNTING HEIGHT AND LOCATION



201.1 CLASSROOM WING NORTH POWER PLAN

SCALE: 1/8" = 1'-0"

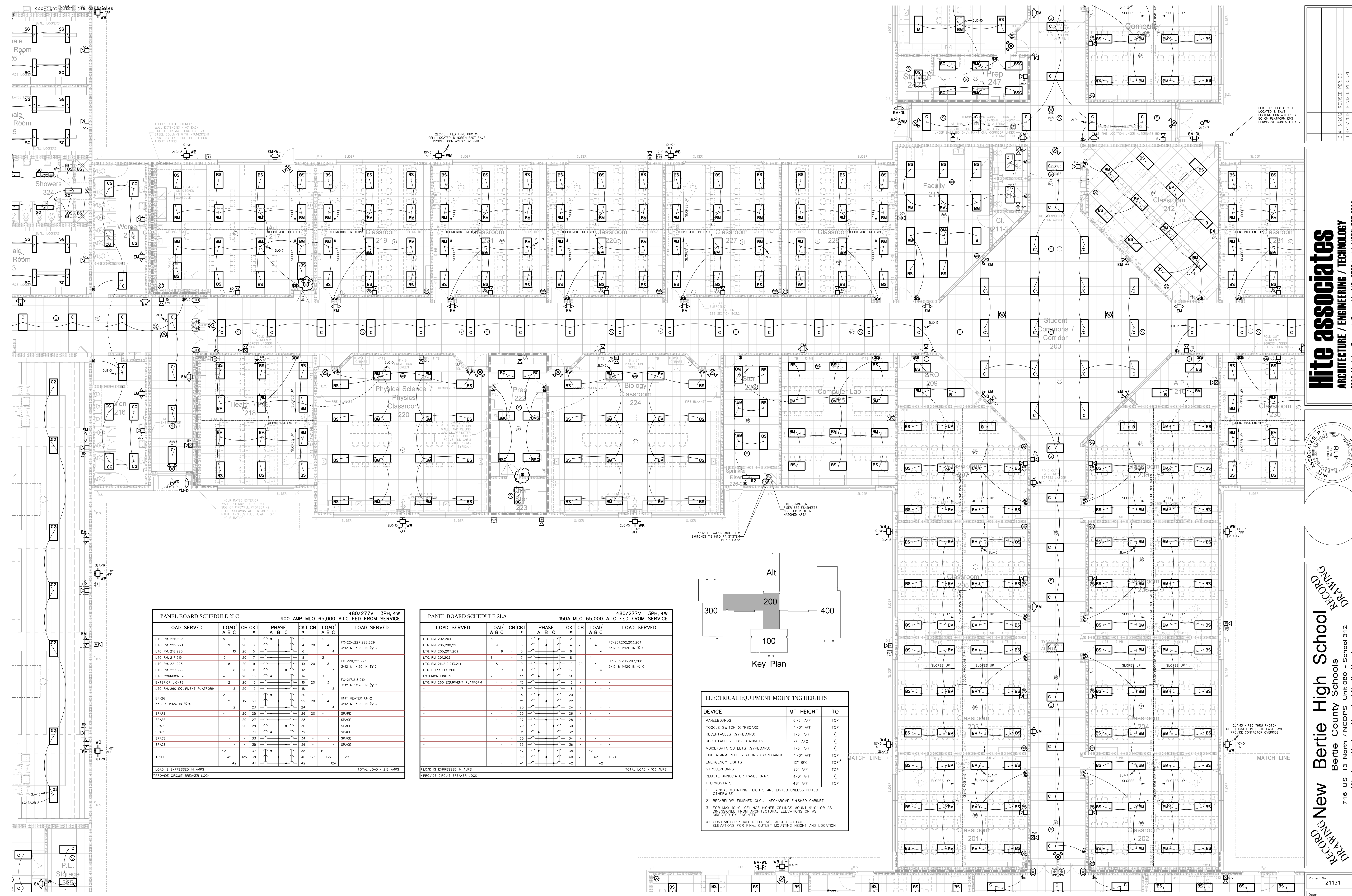


Project No: 21131
Date: 28 March 2012
Drawing No: E 201

RECORD DRAWING

Hite associates
ARCHITECTURE / ENGINEERING / TECHNOLOGY
2000 Meridian Drive / Greenville, NC 27834 / Tel: (252) 757-0333

Bertie High School
Bertie County Schools
716 US 13 North / NCDPS Unit 080 - School 312
Windsor / Bertie County / North Carolina



PANEL BOARD SCHEDULE 21C
400 AMP MLO 65,000 480/277V 3PH, 4W A.I.C. FED FROM SERVICE

LOAD SERVED	LOAD A	LOAD B	LOAD C	CB	CKT	PHASE A	PHASE B	PHASE C	CKT	LOAD A	LOAD B	LOAD C	LOAD SERVED
LTC RM. 226,228	5	20	1						2	4			FC-224,227,228,229
LTC RM. 222,224	9	20	3						4	20	4		3#12 & 1#12G IN 3/4" C
LTC RM. 218,220	10	20	5						6				
LTC RM. 217,219	10	20	7						8	3			FC-220,221,225
LTC RM. 221,223	8	20	9						10				
LTC RM. 227,229	8	20	11						12				3#12 & 1#12G IN 3/4" C
LTC CORRIDOR 200	4	20	13						14	3			FC-217,218,219
EXTERIOR LIGHTS	2	20	15						16	20	3		3#12 & 1#12G IN 3/4" C
LTC RM. 260 EQUIPMENT PLATFORM	3	20	17						18				
EF-2G	2	15	21						22	20	4		UNIT HEATER UH-2
3#12 & 1#12G IN 3/4" C	2	23	23						24				3#12 & 1#12G IN 3/4" C
SPARE	-	20	25						26	20	-		SPARE
SPARE	-	20	27						28	-	-		SPARE
SPARE	-	20	29						30	-	-		SPARE
SPARE	-	31	31						32	-	-		SPARE
SPARE	-	33	33						34	-	-		SPARE
SPARE	-	35	35						36	-	-		SPARE
1-2BP	42	37	37						38	141			1-2C
	42	125	39						40	125	135		1-2C
		41	41						42		124		

LOAD IS EXPRESSED IN AMPS
PROVIDE CIRCUIT BREAKER LOCK

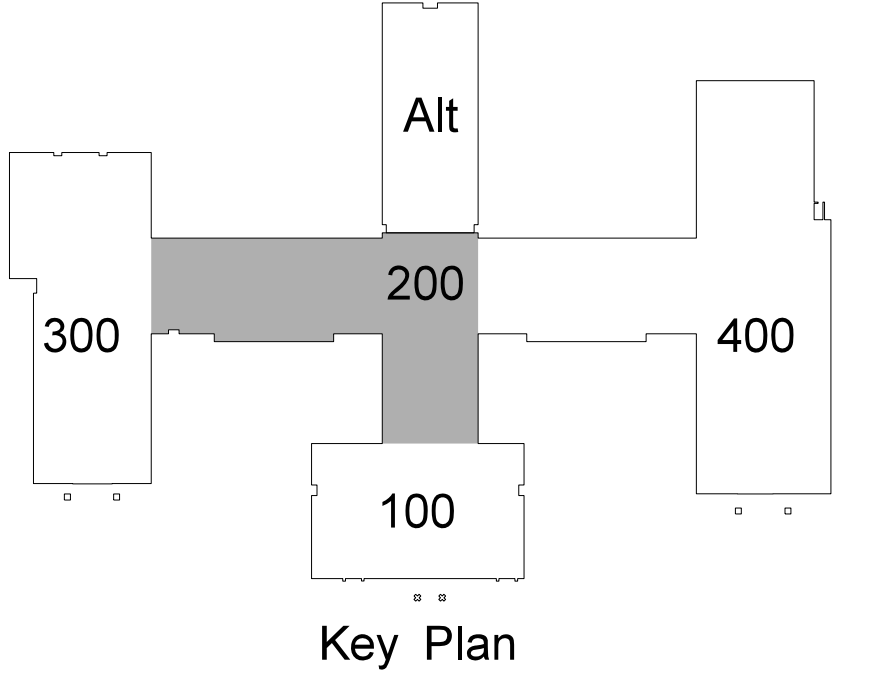
TOTAL LOAD = 212 AMPS

PANEL BOARD SCHEDULE 21A
150A MLO 65,000 480/277V 3PH, 4W A.I.C. FED FROM SERVICE

LOAD SERVED	LOAD A	LOAD B	LOAD C	CB	CKT	PHASE A	PHASE B	PHASE C	CKT	LOAD A	LOAD B	LOAD C	LOAD SERVED
LTC RM. 202,204	8				1				2				FC-201,202,203,204
LTC RM. 206,208,210	9				3				4	20	4		3#12 & 1#12G IN 3/4" C
LTC RM. 205,207,209	9				5				6				
LTC RM. 201,203	8				7				8				
LTC RM. 212,213,214	8				9				10	20	4		HP-205,206,207,208
LTC CORRIDOR 200	7				11				12				3#12 & 1#12G IN 3/4" C
EXTERIOR LIGHTS	2				13				14				
LTC RM. 260 EQUIPMENT PLATFORM	4				15				16				
					17				18				
					19				20				
					21				22				
					23				24				
					25				26				
					27				28				
					29				30				
					31				32				
					33				34				
					35				36				
					37				38				
					39				40	70	42		1-2A
					41				42		42		

LOAD IS EXPRESSED IN AMPS
PROVIDE CIRCUIT BREAKER LOCK

TOTAL LOAD = 103 AMPS



ELECTRICAL EQUIPMENT MOUNTING HEIGHTS

DEVICE	MT HEIGHT	TO
PANELBOARDS	6'-6" AFF	TOP
TOGGLE SWITCH (GYPBOARD)	4'-0" AFF	TOP
RECEPTACLES (GYPBOARD)	1'-6" AFF	CEILING
RECEPTACLES (BASE CABINETS)	1'-7" AFF	CEILING
VOICE/DATA OUTLETS (GYPBOARD)	1'-6" AFF	CEILING
FIRE ALARM PULL STATIONS (GYPBOARD)	4'-0" AFF	TOP
EMERGENCY LIGHTS	12" BFC	TOP
STROBE/HORN	96" AFF	TOP
REMOTE ANNUNCIATOR PANEL (RAP)	4'-0" AFF	CEILING
THERMOSTATS	48" AFF	TOP

1) TYPICAL MOUNTING HEIGHTS ARE LISTED UNLESS NOTED OTHERWISE
2) BFC-BELOW FINISHED CLG., AFC-ABOVE FINISHED CABINET
3) FOR MAIN 15'-0" CEILINGS HIGHER CEILINGS MOUNT 9'-0" OR AS DIMENSIONED FROM ARCHITECTURAL ELEVATIONS OR AS DIRECTED BY ENGINEER
4) CONTRACTOR SHALL REFERENCE ARCHITECTURAL ELEVATIONS FOR FINAL OUTLET MOUNTING HEIGHT AND LOCATION

Hite associates
ARCHITECTURE / ENGINEERING / TECHNOLOGY
2600 Meridian Drive / Greenville, NC 27834 / Tel: (252) 757-0333

RECORD DRAWING
Bertie County Schools
716 US 13 North / NCDPS Unit 080 - School 312
Windsor / Bertie County / North Carolina

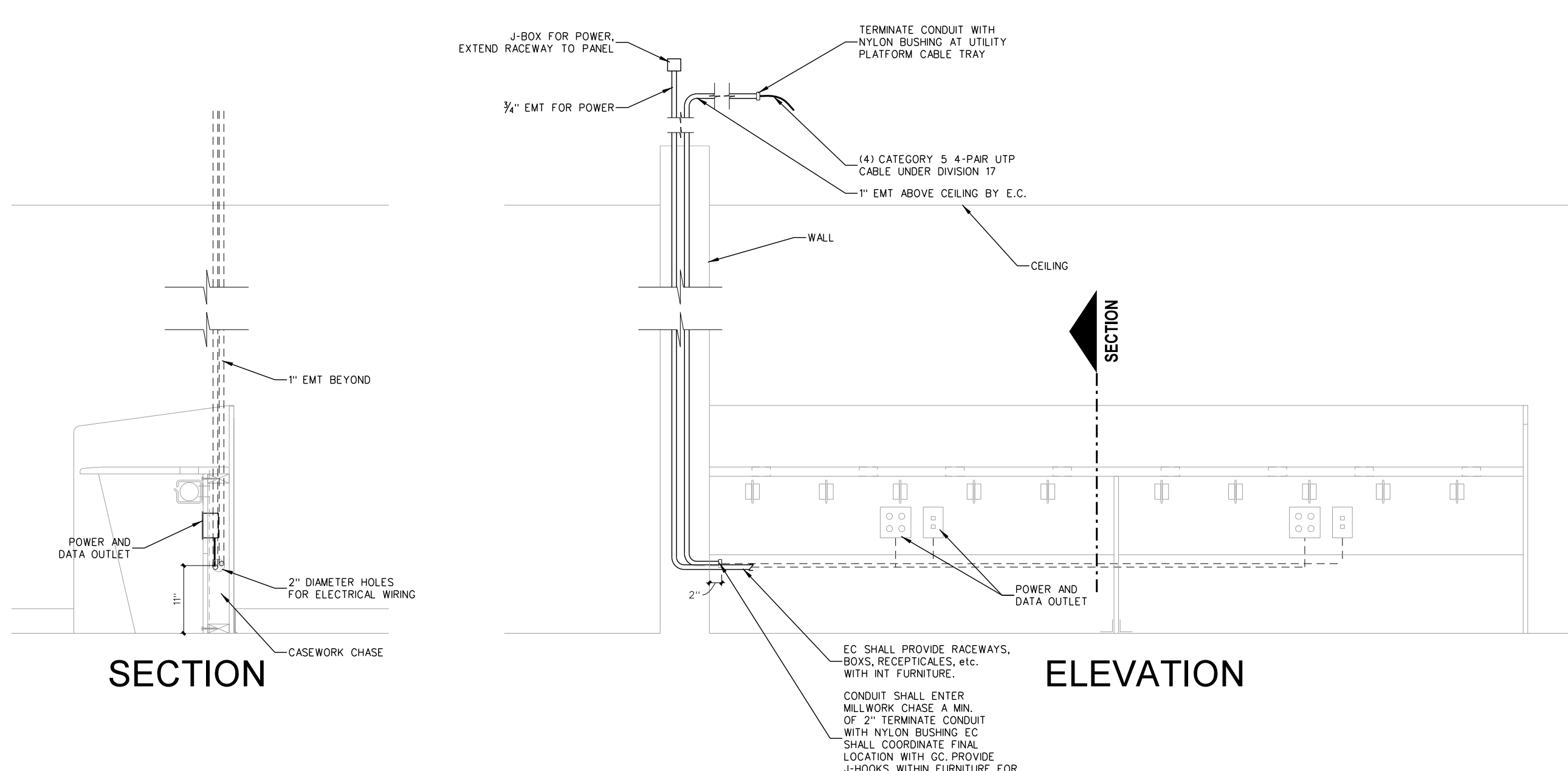
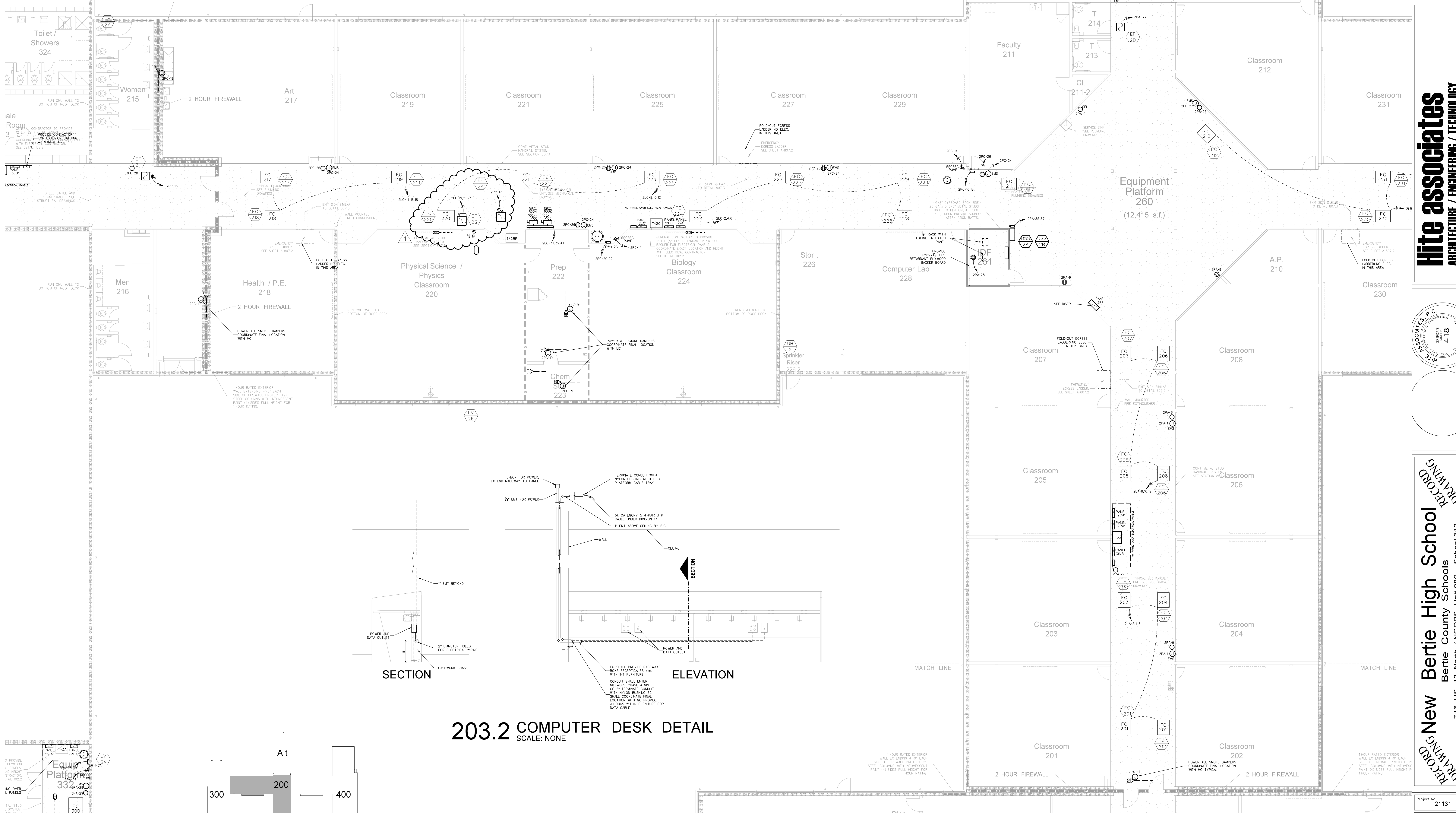
Project No: 21131
Date: 28 March 2012
Drawing No: **E 202**

Revision:
2/14/2014 REVISED PER CUI
1/14/2014 REVISED PER CUI
No. Date

202.1 CLASSROOM WING NORTH LIGHTING / FIRE ALARM PLAN
SCALE: 1/8" = 1'-0"

DEVICE	MT HEIGHT	TO
PANELBOARDS	6'-6" AFF	TOP
TOGGLE SWITCH (GYPBOARD)	4'-0" AFF	TOP
RECEPTACLES (GYPBOARD)	1'-6" AFF	CEILING
RECEPTACLES (BASE CABINET)	1'-7" AFF	CEILING
VOICE/DATA OUTLETS (GYPBOARD)	1'-6" AFF	CEILING
FIRE ALARM PULL STATIONS (GYPBOARD)	4'-0" AFF	TOP
EMERGENCY LIGHTS	12" BFC	TOP
STROBE/HORNS	96" AFF	TOP
REMOTE ANNUNCIATOR PANEL (RAP)	4'-0" AFF	CEILING
THERMOSTATS	48" AFF	TOP

1) TYPICAL MOUNTING HEIGHTS ARE LISTED UNLESS NOTED OTHERWISE
 2) BFC-BELOW FINISHED CLG., AFC-ABOVE FINISHED CABINET
 3) FOR MAX 10'-0" CEILINGS, HIGHER CEILINGS MOUNT 2'-0" OR AS DIMENSIONED FROM ARCHITECTURAL ELEVATIONS OR AS DIRECTED BY ENGINEER
 4) CONTRACTOR SHALL REFERENCE ARCHITECTURAL ELEVATIONS FOR FINAL OUTLET MOUNTING HEIGHT AND LOCATION



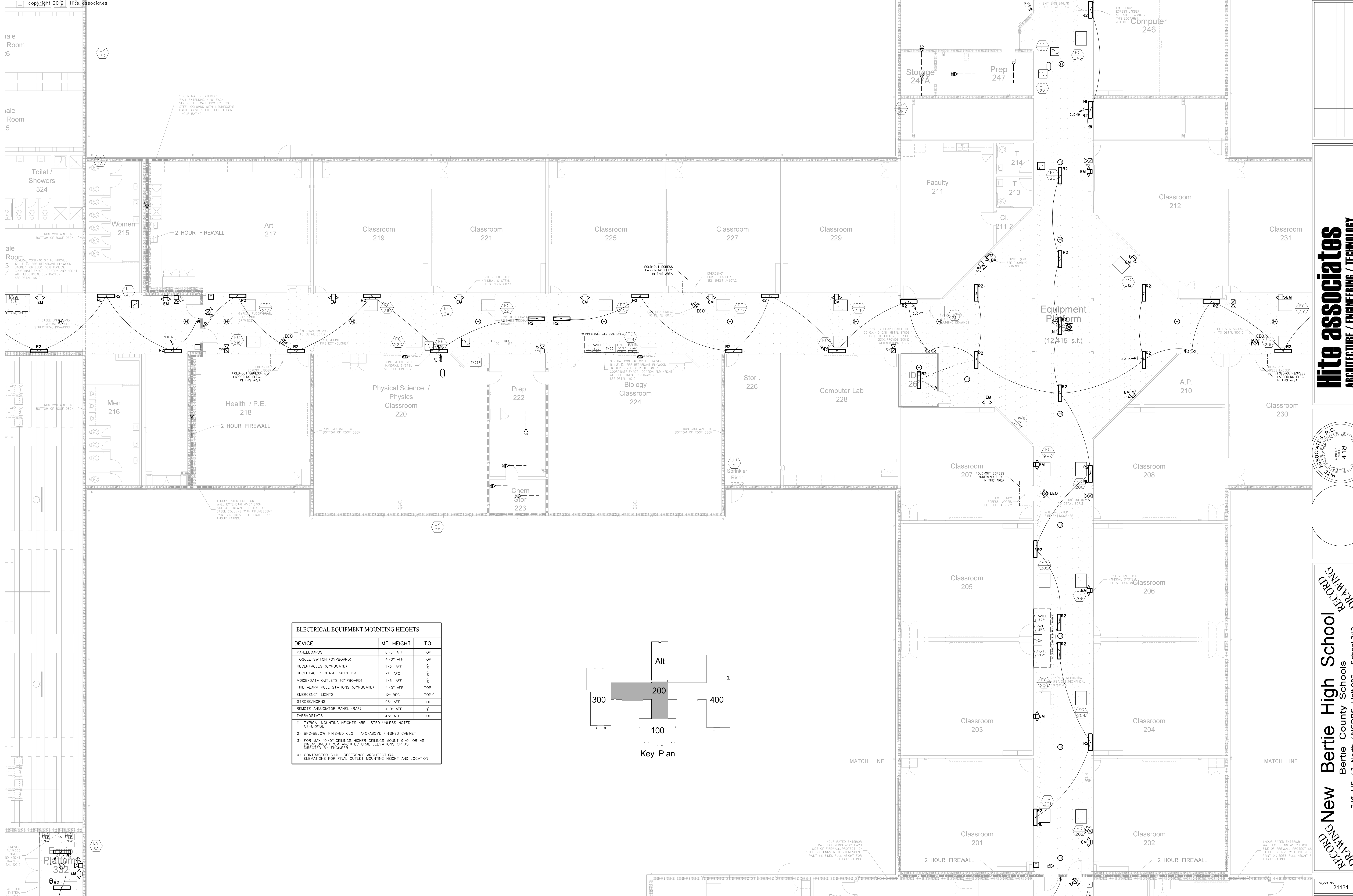
203.2 COMPUTER DESK DETAIL
SCALE: NONE

203.1 CLASSROOM WING NORTH EQUIPMENT PLATFORM POWER PLAN
SCALE: 1/8" = 1'-0"

Hite associates
 ARCHITECTURE / ENGINEERING / TECHNOLOGY
 2600 Meridian Drive / Greenville, NC 27834 / tel (252) 757-0333

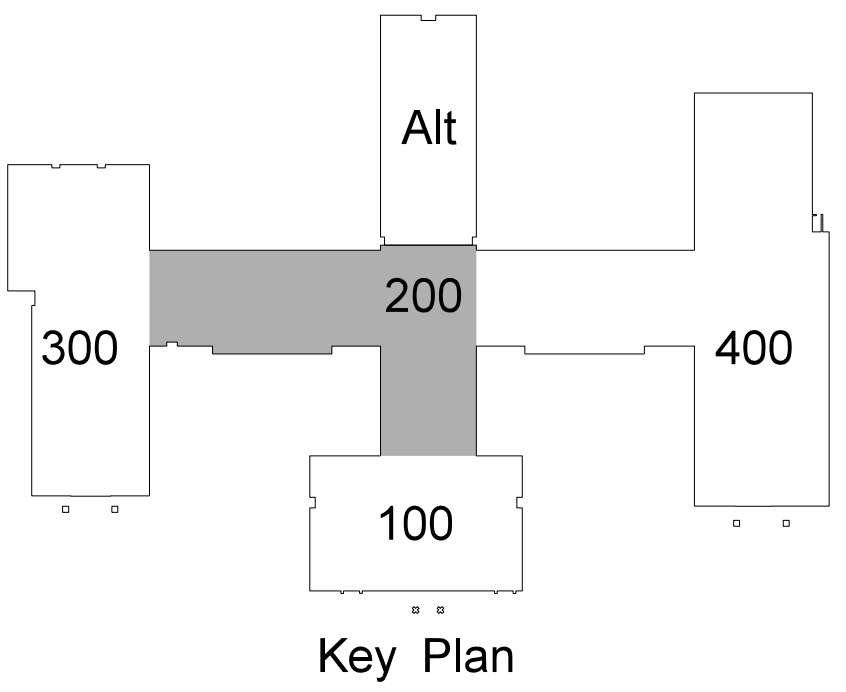
Project No. 21131
 Date: 28 March 2012
 Drawing no. **E 203**

RECORD DRAWING
 Bertie High School
 Bertie County Schools
 716 US 13 North / NCDPS Unit 080 - School 312
 Windsor / Bertie County / North Carolina



ELECTRICAL EQUIPMENT MOUNTING HEIGHTS		
DEVICE	MT HEIGHT	TO
PANELBOARDS	8'-6" AFF	TOP
TWIDDLE SWITCH (GYPBOARD)	4'-0" AFF	TOP
RECEPTACLES (GYPBOARD)	1'-6" AFF	CL
RECEPTACLES (BASE CABINETS)	1'-2" AFC	CL
VOICE/DATA OUTLETS (GYPBOARD)	1'-6" AFF	CL
FIRE ALARM PULL STATIONS (GYPBOARD)	4'-0" AFF	TOP
EMERGENCY LIGHTS	12" BFC	TOP ³
STROBE/HORNS	96" AFF	TOP
REMOTE ANNUNCIATOR PANEL (RAP)	4'-0" AFF	CL
THERMOSTATS	48" AFF	TOP

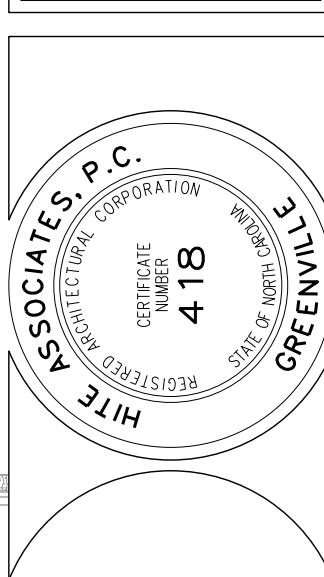
1) TYPICAL MOUNTING HEIGHTS ARE LISTED UNLESS NOTED OTHERWISE.
 2) BFC=BELOW FINISHED CLG., AFC=ABOVE FINISHED CABINET
 3) FOR MAX 10'-0" CEILINGS, HIGHER CEILINGS MOUNT 9'-0" OR AS DIMENSIONED FROM ARCHITECTURAL ELEVATIONS OR AS DIRECTED BY ENGINEER
 4) CONTRACTOR SHALL REFERENCE ARCHITECTURAL ELEVATIONS FOR FINAL OUTLET MOUNTING HEIGHT AND LOCATION



204.1 CLASSROOM WING NORTH: EQUIPMENT PLATFORM LIGHTING / FIRE ALARM PLAN
 SCALE: 1/8" = 1'-0"

No.	Date	Revision

Hite associates
 ARCHITECTURE / ENGINEERING / TECHNOLOGY
 2600 Meridian Drive / Greenville, NC 27834 / tel (252) 757-0333



RECORD DRAWING
 Bertie High School
 Bertie County Schools
 716 US 13 North / NCDPS Unit 080 - School 312
 Windsor / Bertie County / North Carolina

Project No.	21131
Date	28 March 2012
Drawing No.	E 204

DEVICE	MT HEIGHT	TO
PANELBOARDS	6'-0" AFF	TOP
TOGGLE SWITCH (GYBOARD)	4'-0" AFF	TOP
RECEPTACLES (GYBOARD)	1'-6" AFF	C
RECEPTACLES (BASE CABINETS)	1'-7" AFC	C
VOICE/DATA OUTLETS (GYBOARD)	1'-6" AFF	C
FIRE ALARM PULL STATIONS (GYBOARD)	4'-0" AFF	TOP
EMERGENCY LIGHTS	12" BFC	TOP
STROBE LIGHTS	96" AFF	TOP
REMOTE AMPLIFIER PANEL (RAP)	4'-0" AFF	C
THERMOSTATS	48" AFF	TOP

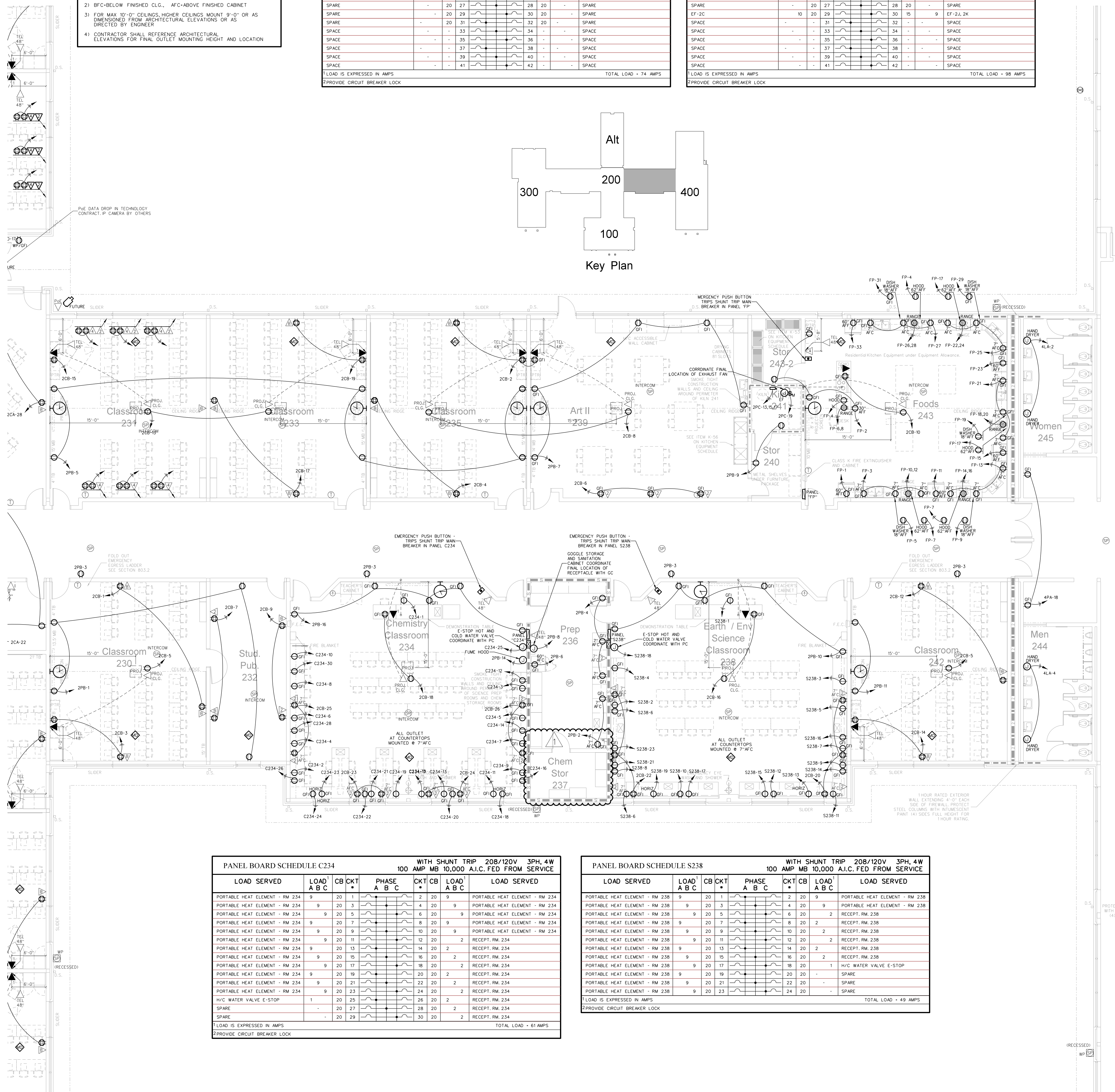
1) TYPICAL MOUNTING HEIGHTS ARE LISTED UNLESS NOTED OTHERWISE
 2) BFC-BELOW FINISHED CLG., AFC-ABOVE FINISHED CABINET
 3) FOR MAX 10'-0" CEILINGS, HIGHER CEILINGS MOUNT 9'-0" OR AS DIMENSIONS FROM ARCHITECTURAL ELEVATIONS OR AS DIRECTED BY ENGINEER
 4) CONTRACTOR SHALL REFERENCE ARCHITECTURAL ELEVATIONS FOR FINAL OUTLET MOUNTING HEIGHT AND LOCATION

PANEL BOARD SCHEDULE 2CB		150 AMP MB 10,000 A.I.C. FED FROM SERVICE		208/120V 3PH, 4W	
LOAD SERVED	LOAD A B C	CB	CKT	PHASE A B C	LOAD SERVED
RECEPT. RM. 230	6 20 1	2	20	9	RECEPT. RM. 235,239
RECEPT. RM. 230	6 20 3	4	20	6	RECEPT. RM. 235
RECEPT. RM. 230,242	6 20 5	6	20	3	RECEPT. RM. 239
RECEPT. RM. 232	6 20 7	8	20	10	RECEPT. RM. 235,239
RECEPT. RM. 232	6 20 9	10	20	8	RECEPT. RM. 243
RECEPT. RM. 231	6 20 11	12	20	6	RECEPT. RM. 242
RECEPT. RM. 231,233	10 20 13	14	20	6	RECEPT. RM. 242
RECEPT. RM. 231	10 20 15	16	20	8	RECEPT. RM. 238
RECEPT. RM. 233	6 20 17	18	20	8	RECEPT. RM. 234
RECEPT. RM. 233	6 20 19	20	20	9	RECEPT. RM. 238
RECEPT. RM. 235	6 20 21	22	20	9	RECEPT. RM. 238
RECEPT. RM. 234	6 20 23	24	20	6	RECEPT. RM. 234
RECEPT. RM. 234	6 20 25	26	20	6	RECEPT. RM. 234
SPARE	- 20 27	28	20	-	SPARE
SPARE	- 20 29	30	20	-	SPARE
SPARE	- 20 31	32	20	-	SPARE
SPACE	- 33	34	-	-	SPACE
SPACE	- 35	36	-	-	SPACE
SPACE	- 37	38	-	-	SPACE
SPACE	- 39	40	-	-	SPACE
SPACE	- 41	42	-	-	SPACE

LOAD IS EXPRESSED IN AMPS
 PROVIDE CIRCUIT BREAKER LOCK
 TOTAL LOAD = 74 AMPS

PANEL BOARD SCHEDULE 2PB		150 AMP MB 10,000 A.I.C. FED FROM SERVICE		208/120V 3PH, 4W	
LOAD SERVED	LOAD A B C	CB	CKT	PHASE A B C	LOAD SERVED
RECEPT. RM. 230,232	6 20 1	2	20	5	RECEPT. RM. 236
RECEPT. RM. CORRIDOR 200	6 20 3	4	20	5	RECEPT. RM. 236
RECEPT. RM. 231,233,235	6 20 5	6	20	10	RECEPT. RM. 236 REF.
RECEPT. RM. 239	8 20 7	8	20	2	RECEPT. RM. 236 GOGGLE CABINET
RECEPT. RM. 240,241	3 20 9	10	20	8	RECEPT. RM. 238
RECEPT. RM. 242	3 20 11	12	15	-	SPARE
RECEPT. RM. 241,KLN	40	13	14	11	FUME HOOD COMBO. EF-1U RM. 2014
345 & 1"DG IN FC	40 60	15	16	20	8 RECEPT. RM. 234
RECEPT. RM. 234	40	17	18	20	1 RECIRCULATION PUMP
HLN EXHAUST FAN	2 20 19	20	22	20	2 EHV-DC
RECEPT. RM. 260 EQUIP. PLATFORM	6 20 21	22	22	22	3"HD & 1"DG IN 3/4"C
EMS	4 20 23	24	15	6	EF-2E
SMOKE DAMPERS	8 20 25	26	20	-	SPARE
SPARE	- 20 27	28	20	-	SPARE
EF-2C	- 10 20 29	30	15	9	EF-2A,2K
SPACE	- 31	32	-	-	SPACE
SPACE	- 33	34	-	-	SPACE
SPACE	- 35	36	-	-	SPACE
SPACE	- 37	38	-	-	SPACE
SPACE	- 39	40	-	-	SPACE
SPACE	- 41	42	-	-	SPACE

LOAD IS EXPRESSED IN AMPS
 PROVIDE CIRCUIT BREAKER LOCK
 TOTAL LOAD = 98 AMPS



PANEL BOARD SCHEDULE FP		WITH SHUNT TRIP 208/120V 3PH, 4W	
		225 AMP MB 10,000 A.I.C. FED FROM SERVICE	
LOAD SERVED	LOAD A B C	CB	CKT
RECEPT. RM. 243 REFRIGERATOR	10 20 1	2	20
RECEPT. RM. 243	5 20 3	4	20
RECEPT. RM. 243 DISHWASHER	11 20 5	6	30
RECEPT. RM. 243 HOOD	6 20 7	8	30
RECEPT. RM. 243 DISHWASHER	11 20 9	10	30
RECEPT. RM. 243 REFRIGERATOR	10 20 11	12	30
RECEPT. RM. 243	5 20 13	14	30
RECEPT. RM. 243 REFRIGERATOR	10 20 15	16	30
RECEPT. RM. 243 HOOD	6 20 17	18	30
RECEPT. RM. 243 DISHWASHER	11 20 19	20	30
RECEPT. RM. 243	3 20 21	22	30
RECEPT. RM. 243 REFRIGERATOR	10 20 23	24	30
RECEPT. RM. 243	3 20 25	26	30
RECEPT. RM. 243	3 20 27	28	30
RECEPT. RM. 243 DISHWASHER	11 20 29	30	-
RECEPT. RM. 243 DISHWASHER	11 20 31	32	-
RECEPT. RM. 243 REFRIGERATOR	10 20 33	34	-
SPARE	- 20 35	36	-
SPARE	- 20 37	38	-
SPACE	- 39	40	-
SPACE	- 41	42	-

LOAD IS EXPRESSED IN AMPS
 PROVIDE CIRCUIT BREAKER LOCK
 TOTAL LOAD = 172 AMPS

PANEL BOARD SCHEDULE C234		WITH SHUNT TRIP 208/120V 3PH, 4W	
		100 AMP MB 10,000 A.I.C. FED FROM SERVICE	
LOAD SERVED	LOAD A B C	CB	CKT
PORTABLE HEAT ELEMENT - RM 234	9 20 1	2	20
PORTABLE HEAT ELEMENT - RM 234	9 20 3	4	20
PORTABLE HEAT ELEMENT - RM 234	9 20 5	6	20
PORTABLE HEAT ELEMENT - RM 234	9 20 7	8	20
PORTABLE HEAT ELEMENT - RM 234	9 20 9	10	20
PORTABLE HEAT ELEMENT - RM 234	9 20 11	12	20
PORTABLE HEAT ELEMENT - RM 234	9 20 13	14	20
PORTABLE HEAT ELEMENT - RM 234	9 20 15	16	20
PORTABLE HEAT ELEMENT - RM 234	9 20 17	18	20
PORTABLE HEAT ELEMENT - RM 234	9 20 19	20	20
PORTABLE HEAT ELEMENT - RM 234	9 20 21	22	20
PORTABLE HEAT ELEMENT - RM 234	9 20 23	24	20
H/C WATER VALVE E-STOP	1 20 25	26	2
SPARE	- 20 27	28	2
SPARE	- 20 29	30	2

LOAD IS EXPRESSED IN AMPS
 PROVIDE CIRCUIT BREAKER LOCK
 TOTAL LOAD = 61 AMPS

PANEL BOARD SCHEDULE S238		WITH SHUNT TRIP 208/120V 3PH, 4W	
		100 AMP MB 10,000 A.I.C. FED FROM SERVICE	
LOAD SERVED	LOAD A B C	CB	CKT
PORTABLE HEAT ELEMENT - RM 238	9 20 1	2	20
PORTABLE HEAT ELEMENT - RM 238	9 20 3	4	20
PORTABLE HEAT ELEMENT - RM 238	9 20 5	6	20
PORTABLE HEAT ELEMENT - RM 238	9 20 7	8	20
PORTABLE HEAT ELEMENT - RM 238	9 20 9	10	20
PORTABLE HEAT ELEMENT - RM 238	9 20 11	12	20
PORTABLE HEAT ELEMENT - RM 238	9 20 13	14	20
PORTABLE HEAT ELEMENT - RM 238	9 20 15	16	20
PORTABLE HEAT ELEMENT - RM 238	9 20 17	18	20
PORTABLE HEAT ELEMENT - RM 238	9 20 19	20	20
PORTABLE HEAT ELEMENT - RM 238	9 20 21	22	20
PORTABLE HEAT ELEMENT - RM 238	9 20 23	24	20

LOAD IS EXPRESSED IN AMPS
 PROVIDE CIRCUIT BREAKER LOCK
 TOTAL LOAD = 49 AMPS

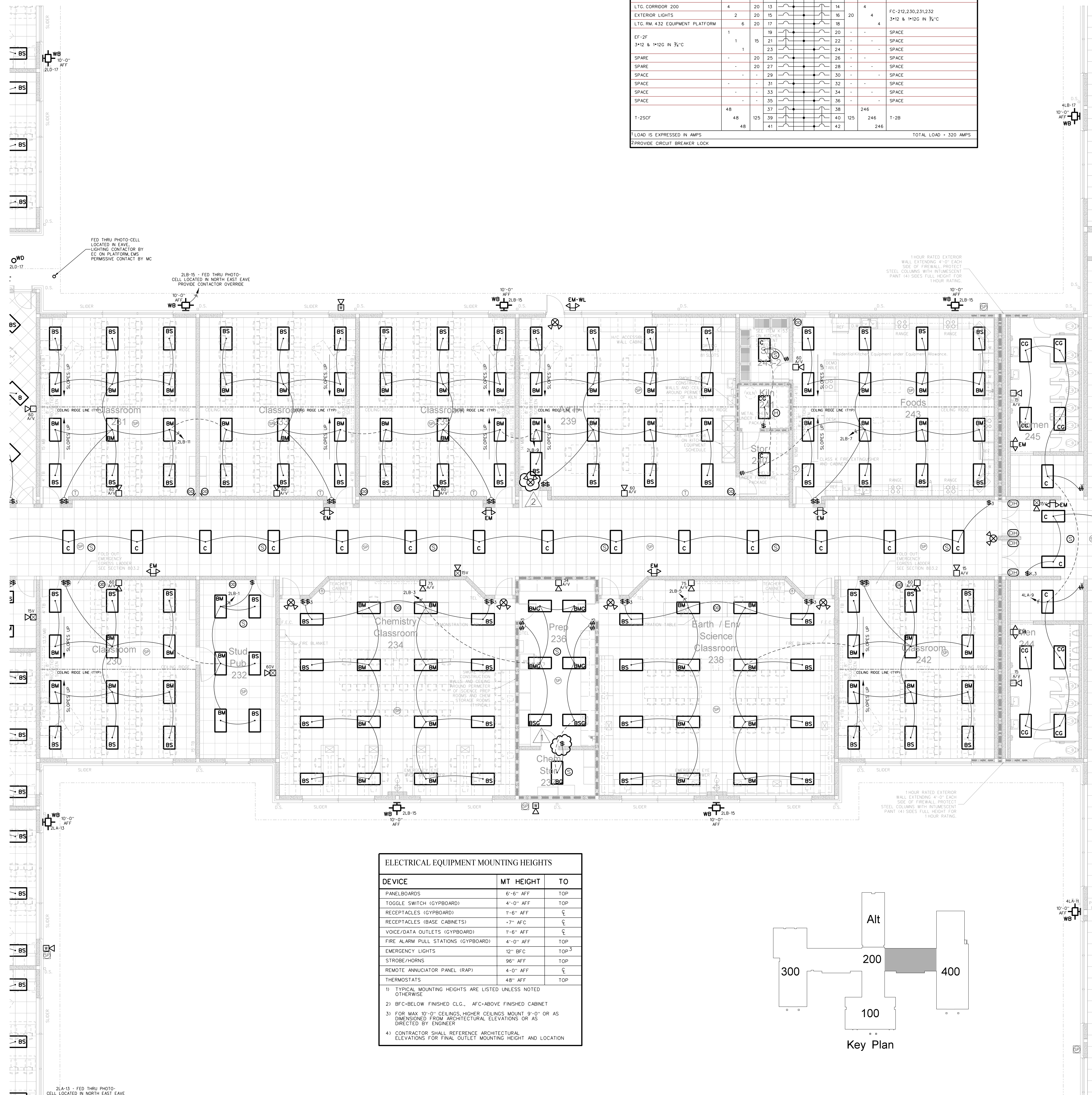
205.1 CLASSROOM WING SOUTH POWER PLAN
 SCALE: 1/8" = 1'-0"

Hite associates
 ARCHITECTURE / ENGINEERING / TECHNOLOGY
 2600 Meridian Drive / Greenville, NC 27834 / tel (252) 757-0333

RECORD DRAWING
 Bertie High School
 Bertie County Schools
 Unit 080 - School 312
 Windsor / Bertie County / North Carolina

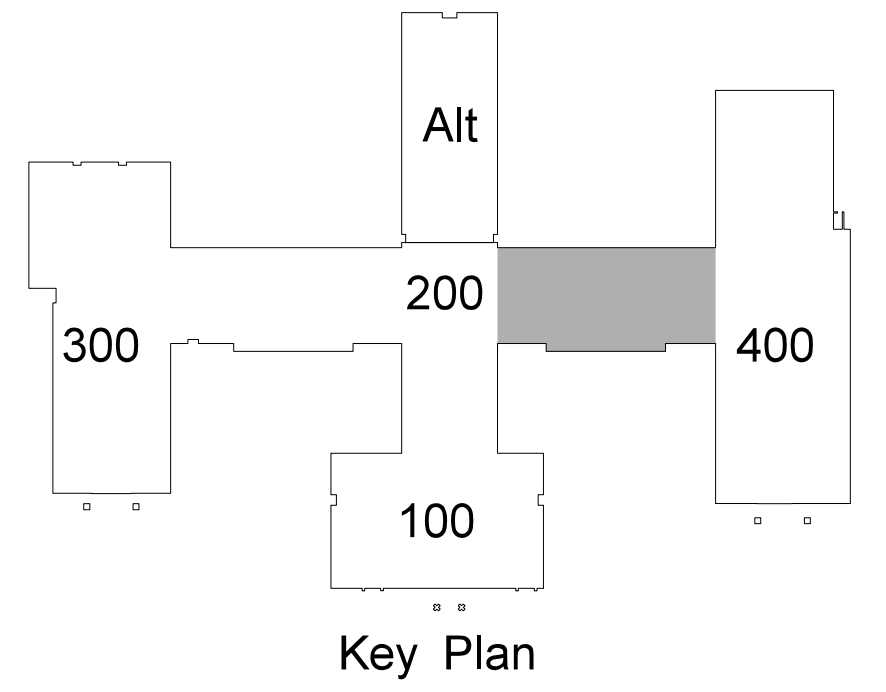
Project No. 21131
 Date: 28 March 2012
 Drawing No. E 205

PANEL BOARD SCHEDULE 2LB		400 AMP MLO 65,000 A.I.C. FED FROM SERVICE				
LOAD SERVED	LOAD A B C	CB	PHASE A B C	CKT	LOAD A B C	LOAD SERVED
LTC. RM. 230,232	5	20	1	2	3	FC-230,242,243
LTC. RM. 234,236	6	20	3	4	3	5#2 & MISC N 3/4" C
LTC. RM. 238,242	10	20	5	6	3	
LTC. RM. 240,241,243,244	7	20	7	8	3	
LTC. RM. 235,239	10	20	9	10	3	FC-234,235,239
LTC. RM. 231,233	6	20	11	12	3	5#2 & MISC N 3/4" C
LTC. CORRIDOR 200	4	20	13	14	4	
EXTERIOR LIGHTS	2	20	15	16	4	FC-210,230,231,332
LTC. RM. 432 EQUIPMENT PLATFORM	6	20	17	18	4	
EF-2F	1	15	21	22	-	SPACE
5#2 & MISC N 3/4" C	1	23	24	-	-	SPACE
SPARE	-	20	25	26	-	SPACE
SPARE	-	20	27	28	-	SPACE
SPARE	-	20	29	30	-	SPACE
SPARE	-	20	31	32	-	SPACE
SPARE	-	20	33	34	-	SPACE
SPARE	-	20	35	36	-	SPACE
1-250F	48	37	38	38	246	
	48	125	39	40	125	246
		41	42	42	246	
LOAD IS EXPRESSED IN AMPS					TOTAL LOAD = 320 AMPS	
PROVIDE CIRCUIT BREAKER LOCK						



DEVICE	MT. HEIGHT	TO
PANELBOARDS	6'-6" AFF	TOP
TOGGLE SWITCH (GYBOARD)	4'-0" AFF	TOP
RECEPTACLES (GYBOARD)	1'-6" AFF	∅
RECEPTACLES (BASE CABINETS)	-7" AFC	∅
VOICE/DATA OUTLETS (GYBOARD)	1'-6" AFF	∅
FIRE ALARM PULL STATIONS (GYBOARD)	4'-0" AFF	TOP
EMERGENCY LIGHTS	12" BFC	TOP-3
STROBE/HORNS	96" AFF	TOP
REMOTE ANNUNCIATOR PANEL (RAP)	4'-0" AFF	∅
THERMOSTATS	48" AFF	TOP

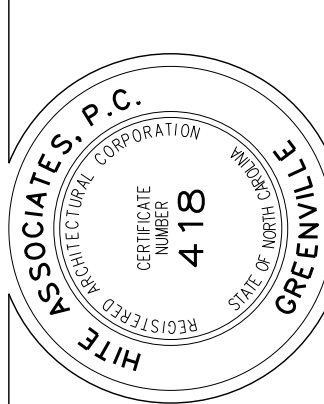
1) TYPICAL MOUNTING HEIGHTS ARE LISTED UNLESS NOTED OTHERWISE
 2) BFC-BELOW FINISHED CLG., AFC-ABOVE FINISHED CABINET
 3) FOR MAX 10'-0" CEILINGS, HIGHER CEILINGS MOUNT 9'-0" OR AS DIMENSIONED FROM ARCHITECTURAL ELEVATIONS OR AS DIRECTED BY ENGINEER
 4) CONTRACTOR SHALL REFERENCE ARCHITECTURAL ELEVATIONS FOR FINAL OUTLET MOUNTING HEIGHT AND LOCATION



206.1 CLASSROOM WING SOUTH LIGHTING / FIRE ALARM PLAN
 SCALE: 1/8" = 1'-0"

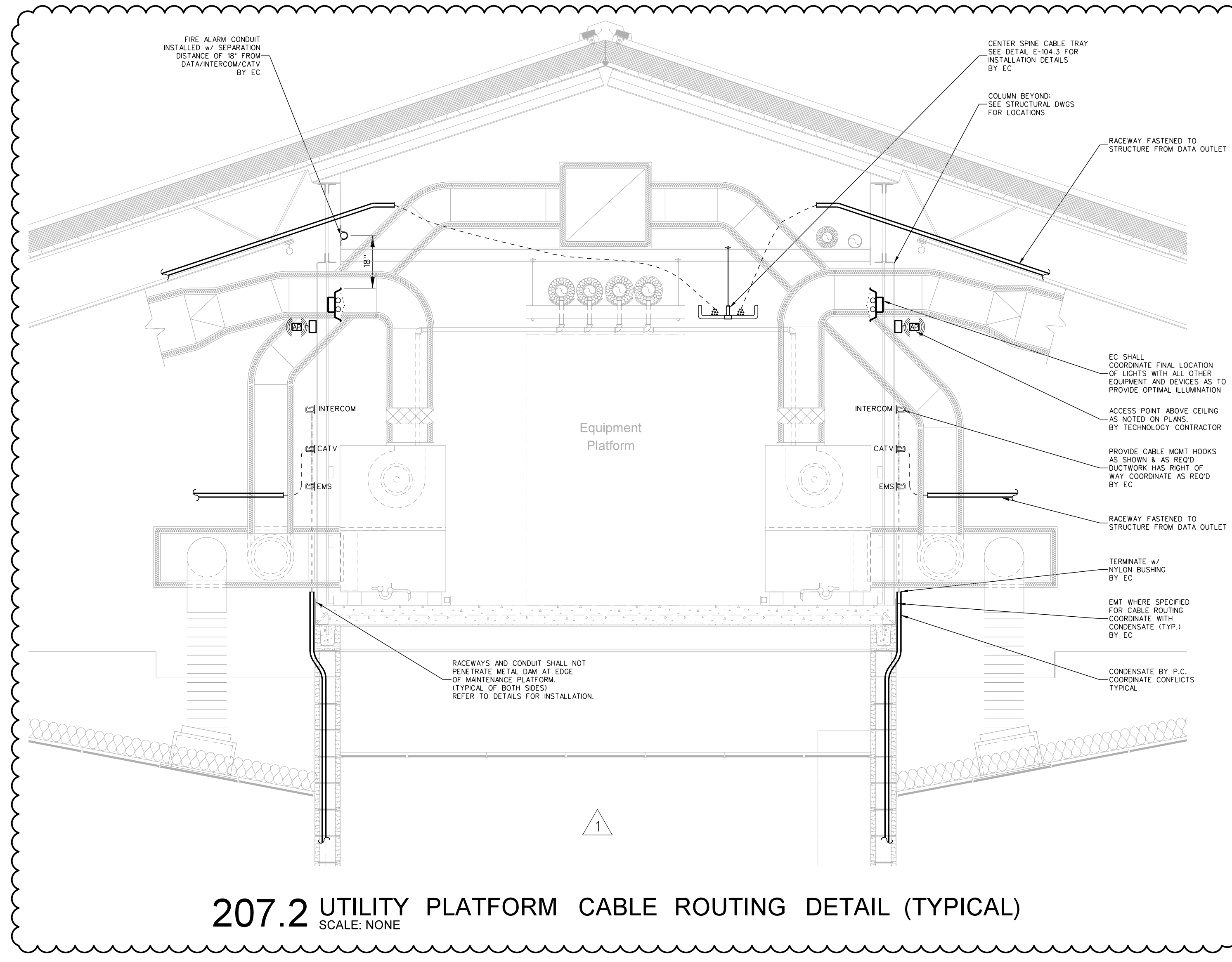
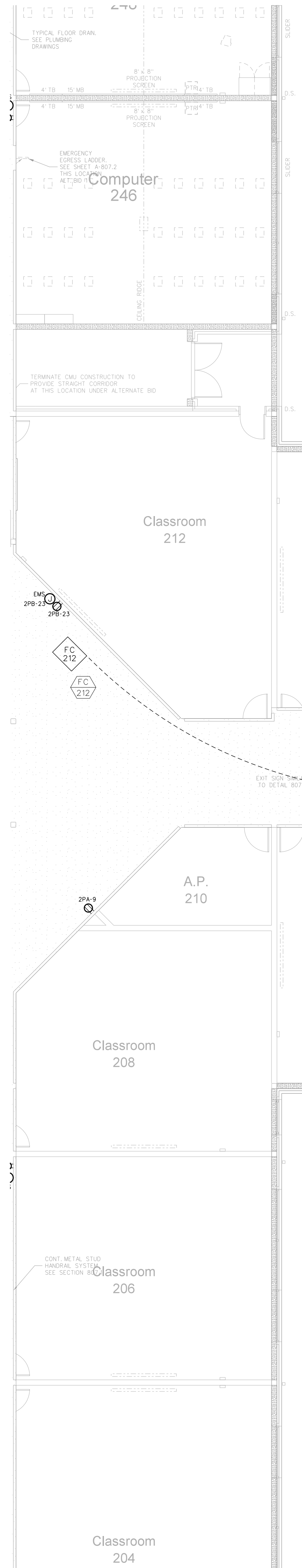
No.	Date	Revision
1	2/4/16/2012	REVISED PER. DDI
2	1/4/16/2012	REVISED PER. DDI

Hite associates
 ARCHITECTURE / ENGINEERING / TECHNOLOGY
 2600 Meridian Drive / Greenville, NC 27834 / tel (252) 757-0333



RECORD DRAWING
Bertie High School
 Bertie County Schools
 716 US 13 North / NCDPS Unit 080 - School 312
 Windsor / Bertie County / North Carolina

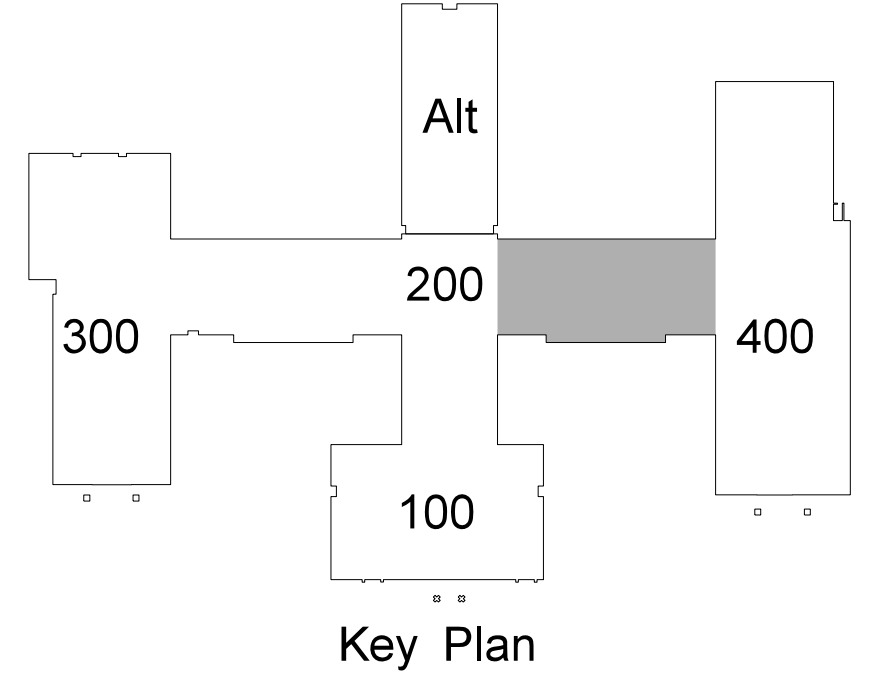
Project No.	21131
Date	28 March 2012
Drawing No.	E 206



207.2 UTILITY PLATFORM CABLE ROUTING DETAIL (TYPICAL)
SCALE: NONE

ELECTRICAL EQUIPMENT MOUNTING HEIGHTS		
DEVICE	MT HEIGHT	TO
PANELBOARDS	6'-6" AFF	TOP
TOGGLE SWITCH (GYBOARD)	4'-0" AFF	TOP
RECEPTACLES (GYBOARD)	1'-6" AFF	CL
RECEPTACLES (BASE CABINETS)	1'-7" AFC	CL
VOICE/DATA OUTLETS (GYBOARD)	1'-6" AFF	CL
FIRE ALARM PULL STATIONS (GYBOARD)	4'-0" AFF	TOP
EMERGENCY LIGHTS	12" BFC	TOP ³
STROBE/HORNS	96" AFF	TOP
REMOTE ANNUNCIATOR PANEL (RAP)	4'-0" AFF	CL
THERMOSTATS	4'-8" AFF	TOP

1) TYPICAL MOUNTING HEIGHTS ARE LISTED UNLESS NOTED OTHERWISE.
2) BFC=BELOW FINISHED CL.G., AFC=ABOVE FINISHED CABINET
3) FOR MAX 10'-0" CEILINGS, HIGHER CEILINGS MOUNT 9'-0" OR AS DIMENSIONED FROM ARCHITECTURAL ELEVATIONS OR AS DIRECTED BY ENGINEER
4) CONTRACTOR SHALL REFERENCE ARCHITECTURAL ELEVATIONS FOR FINAL OUTLET MOUNTING HEIGHT AND LOCATION



207.1 CLASSROOM WING SOUTH EQUIPMENT PLATFORM POWER PLAN
SCALE: 1/8" = 1'-0"

RECORD DRAWING

Bertie High School
Bertie County Schools
716 US 13 North / NCDPS Unit 080 - School 312
Windsor / Bertie County / North Carolina

RECORD DRAWING

Project No. 21131

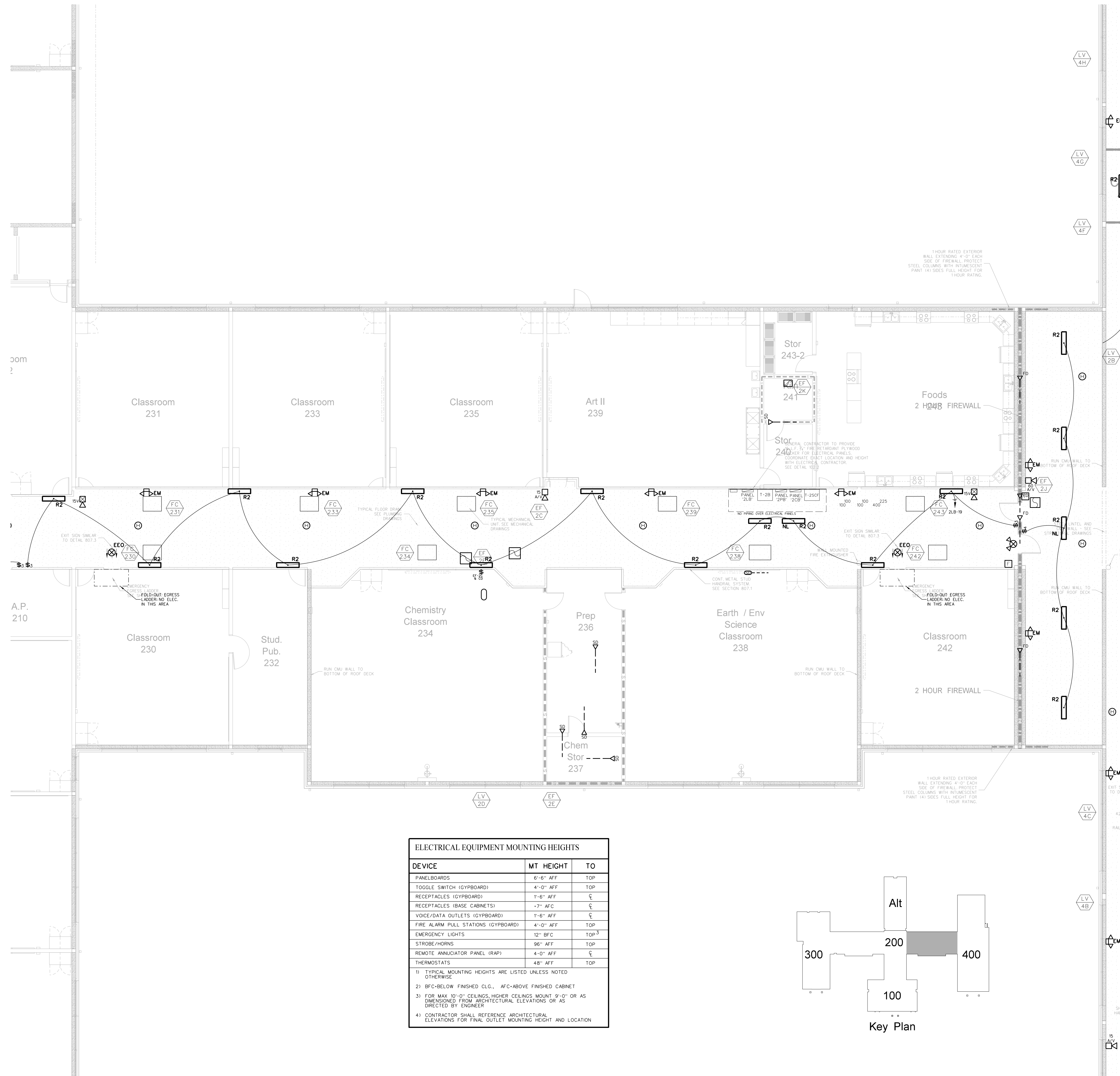
Date: 28 March 2012

Drawing no. E 207

Hite associates
ARCHITECTURE / ENGINEERING / TECHNOLOGY
2600 Meridian Drive / Greenville, NC 27834 / tel (252) 757-0333

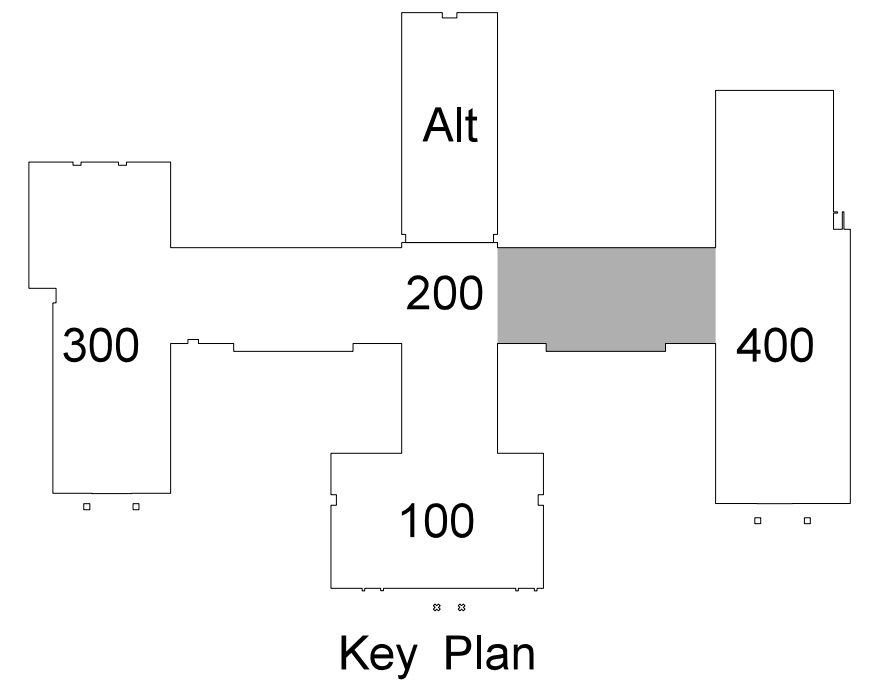
Professional Engineer
No. 418
Hite Associates, P.C.
Professional Corporation
Greenville, NC

Revision
2-14-17-2012 RELOCATED EXHAUST FANS
1-14-17-2012 SECTION AT PLATFORM



ELECTRICAL EQUIPMENT MOUNTING HEIGHTS		
DEVICE	MT HEIGHT	TO
PANELBOARDS	8'-6" AFF	TOP
TOGGLE SWITCH (GYPBOARD)	4'-0" AFF	TOP
RECEPTACLES (GYPBOARD)	1'-6" AFF	⊕
RECEPTACLES (BASE CABINETS)	-7" AFC	⊕
VOICE/DATA OUTLETS (GYPBOARD)	1'-6" AFF	⊕
FIRE ALARM PULL STATIONS (GYPBOARD)	4'-0" AFF	TOP
EMERGENCY LIGHTS	12" BFC	TOP ³
STROBE/HORNS	96" AFF	TOP
REMOTE ANNUNCIATOR PANEL (RAP)	4'-0" AFF	⊕
THERMOSTATS	48" AFF	TOP

1) TYPICAL MOUNTING HEIGHTS ARE LISTED UNLESS NOTED OTHERWISE
 2) BFC-BELOW FINISHED C.L.G., AFC-ABOVE FINISHED CABINET
 3) FOR MAX 10'-0" CEILINGS, HIGHER CEILINGS MOUNT 9'-0" OR AS DIMENSIONED FROM ARCHITECTURAL ELEVATIONS OR AS DIRECTED BY ENGINEER
 4) CONTRACTOR SHALL REFERENCE ARCHITECTURAL ELEVATIONS FOR FINAL OUTLET MOUNTING HEIGHT AND LOCATION



208.1 CLASSROOM WING SOUTH EQUIPMENT PLATFORM LIGHTING / FIRE ALARM PLAN
 SCALE: 1/8" = 1'-0"

No.
Date
Revision

2600 Meridian Drive / Greenville, NC 27834 / tel (252) 757-0333

RECORD DRAWING

Bertie High School

Bertie County Schools

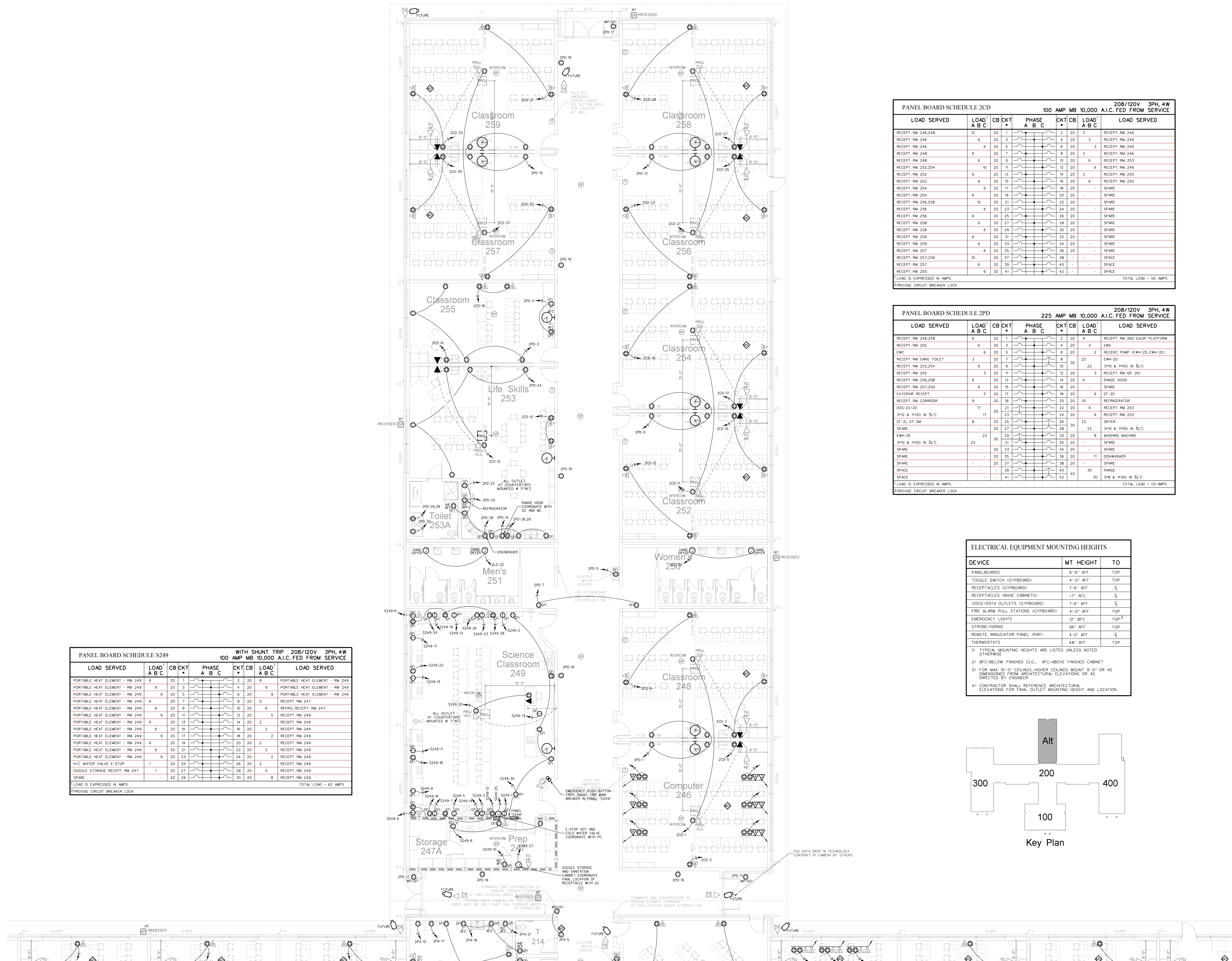
716 US 13 North / NCDPS Unit 080 - School 312

Windsor / Bertie County / North Carolina

Project No. 21131

Date: 28 March 2012

Drawing no. **E 208**



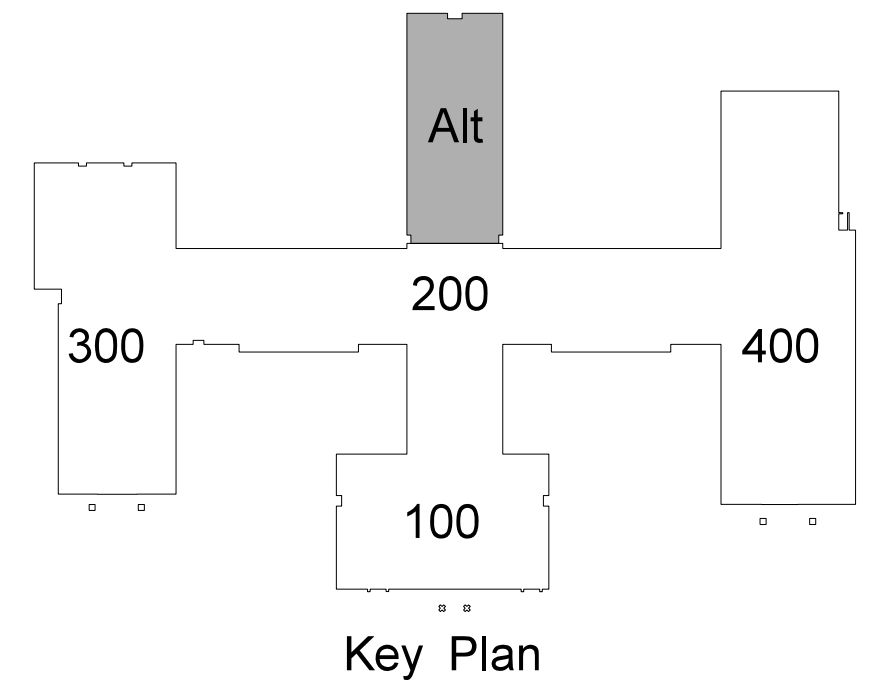
PANEL BOARD SCHEDULE S249									
WITH SHUNT TRIP 208/120V 3PH, 4W									
100 AMP MB 10,000 A.I.C. FED FROM SERVICE									
LOAD SERVED	LOAD A B C	CB	CKT	PHASE A B C	CKT	LOAD A B C	LOAD SERVED		
PORTABLE HEAT ELEMENT - RM 249	9	20	1			2	20	9	PORTABLE HEAT ELEMENT - RM 249
PORTABLE HEAT ELEMENT - RM 249	9	20	3			4	20	9	PORTABLE HEAT ELEMENT - RM 249
PORTABLE HEAT ELEMENT - RM 249	9	20	5			6	20	9	PORTABLE HEAT ELEMENT - RM 249
PORTABLE HEAT ELEMENT - RM 249	9	20	7			8	20	5	RECEPT. RM. 247
PORTABLE HEAT ELEMENT - RM 249	9	20	9			10	20	6	REFRIG. RECEPT. RM. 247
PORTABLE HEAT ELEMENT - RM 249	9	20	11			12	20	5	RECEPT. RM. 249
PORTABLE HEAT ELEMENT - RM 249	9	20	13			14	20	2	RECEPT. RM. 249
PORTABLE HEAT ELEMENT - RM 249	9	20	15			16	20	2	RECEPT. RM. 249
PORTABLE HEAT ELEMENT - RM 249	9	20	17			18	20	2	RECEPT. RM. 249
PORTABLE HEAT ELEMENT - RM 249	9	20	19			20	20	2	RECEPT. RM. 249
PORTABLE HEAT ELEMENT - RM 249	9	20	21			22	20	2	RECEPT. RM. 249
PORTABLE HEAT ELEMENT - RM 249	9	20	23			24	20	2	RECEPT. RM. 249
HVC WATER VALVE E-STOP	1	20	25			26	20	2	RECEPT. RM. 249
GOOGLE STORAGE RECEPT. RM. 247	1	20	27			28	20	5	RECEPT. RM. 249
SPARE	-	20	29			30	20	8	RECEPT. RM. 249
LOAD IS EXPRESSED IN AMPS							TOTAL LOAD = 62 AMPS		
PROVIDE CIRCUIT BREAKER LOCK									

PANEL BOARD SCHEDULE 2CD									
100 AMP MB 10,000 A.I.C. FED FROM SERVICE									
LOAD SERVED	LOAD A B C	CB	CKT	PHASE A B C	CKT	LOAD A B C	LOAD SERVED		
RECEPT. RM. 246,248	10	20	1			2	20	3	RECEPT. RM. 246
RECEPT. RM. 246	6	20	3			4	20	3	RECEPT. RM. 246
RECEPT. RM. 246	6	20	5			6	20	3	RECEPT. RM. 246
RECEPT. RM. 248	6	20	7			8	20	3	RECEPT. RM. 246
RECEPT. RM. 248	6	20	9			10	20	6	RECEPT. RM. 253
RECEPT. RM. 252,254	10	20	11			12	20	6	RECEPT. RM. 246
RECEPT. RM. 252	6	20	13			14	20	3	RECEPT. RM. 255
RECEPT. RM. 252	6	20	15			16	20	6	RECEPT. RM. 255
RECEPT. RM. 254	6	20	17			18	20	-	SPARE
RECEPT. RM. 254	6	20	19			20	20	-	SPARE
RECEPT. RM. 256,258	10	20	21			22	20	-	SPARE
RECEPT. RM. 256	6	20	23			24	20	-	SPARE
RECEPT. RM. 256	6	20	25			26	20	-	SPARE
RECEPT. RM. 258	6	20	27			28	20	-	SPARE
RECEPT. RM. 258	6	20	29			30	20	-	SPARE
RECEPT. RM. 259	6	20	31			32	20	-	SPARE
RECEPT. RM. 259	6	20	33			34	20	-	SPARE
RECEPT. RM. 257	6	20	35			36	20	-	SPARE
RECEPT. RM. 257,259	10	20	37			38	-	-	SPACE
RECEPT. RM. 257	6	20	39			40	-	-	SPACE
RECEPT. RM. 255	6	20	41			42	-	-	SPACE
LOAD IS EXPRESSED IN AMPS							TOTAL LOAD = 55 AMPS		
PROVIDE CIRCUIT BREAKER LOCK									

PANEL BOARD SCHEDULE 2PD									
225 AMP MB 10,000 A.I.C. FED FROM SERVICE									
LOAD SERVED	LOAD A B C	CB	CKT	PHASE A B C	CKT	LOAD A B C	LOAD SERVED		
RECEPT. RM. 246,248	6	20	1			2	20	9	RECEPT. RM. 250 EQUIP. PLATFORM
RECEPT. RM. 255	6	20	3			4	20	3	EMS
EWG	6	20	5			6	20	2	RECEIVE PLUM (EWH-20, EWH-2E)
RECEPT. RM. GANG TOILET	3	20	7			8	20	8	EW-20
RECEPT. RM. 252,254	6	20	9			10	30	22	3"ID & H10G IN 3/4" C
RECEPT. RM. 255	3	20	11			12	20	3	RECEPT. RM. DF 261
RECEPT. RM. 256,258	6	20	13			14	20	4	RANGE HOOD
RECEPT. RM. 257,259	6	20	15			16	20	-	SPARE
EXTERIOR RECEPT.	5	20	17			18	20	6	EF-20
RECEPT. RM. CORRIDOR	9	20	19			20	20	10	REFRIGERATOR
DSS-20/20	17	20	21			22	20	9	RECEPT. RM. 253
3"ID & H10G IN 3/4" C	17	20	23			24	20	6	RECEPT. RM. 253
EF-2L, EF-2M	8	20	25			26	30	22	DRYER
SPARE	-	20	27			28	20	22	3"ID & H10G IN 3/4" C
EW-2E	22	30	29			30	20	8	WASHING MACHINE
3"ID & H10G IN 3/4" C	22	30	31			32	20	-	SPARE
SPARE	-	20	33			34	20	-	SPARE
SPARE	-	20	35			36	20	11	DISHWASHER
SPARE	-	20	37			38	20	-	SPARE
SPACE	-	-	39			40	50	-	RANGE
SPACE	-	-	41			42	30	3"ID & H10G IN 3/4" C	-
LOAD IS EXPRESSED IN AMPS							TOTAL LOAD = 131 AMPS		
PROVIDE CIRCUIT BREAKER LOCK									

ELECTRICAL EQUIPMENT MOUNTING HEIGHTS		
DEVICE	MT HEIGHT	TO
PANELBOARDS	6'-6" AFF	TOP
TOGGLE SWITCH (GYBOARD)	4'-0" AFF	TOP
RECEPTACLES (GYBOARD)	1'-6" AFF	⊥
RECEPTACLES (BASE CABINETS)	7" AFC	⊥
VOICE/DATA OUTLETS (GYBOARD)	1'-6" AFF	⊥
FIRE ALARM PULL STATIONS (GYBOARD)	4'-0" AFF	TOP
EMERGENCY LIGHTS	12" BFC	TOP ¹⁾
STROBE/HORNS	96" AFF	TOP
REMOTE ANNUNCIATOR PANEL (RAP)	4'-0" AFF	⊥
THERMOSTATS	48" AFF	TOP

1) TYPICAL MOUNTING HEIGHTS ARE LISTED UNLESS NOTED OTHERWISE
 2) BFC=BELOW FINISHED C.L., AFC=ABOVE FINISHED CABINET
 3) FOR MAX 10'-0" CEILINGS, HIGHER CEILINGS MOUNT 9'-0" OR AS DIMENSIONED FROM ARCHITECTURAL ELEVATIONS OR AS DIRECTED BY ENGINEER
 4) CONTRACTOR SHALL REFERENCE ARCHITECTURAL ELEVATIONS FOR FINAL OUTLET MOUNTING HEIGHT AND LOCATION



209.1 CLASSROOM WING EAST POWER PLAN
 SCALE: 1/8" = 1'-0"

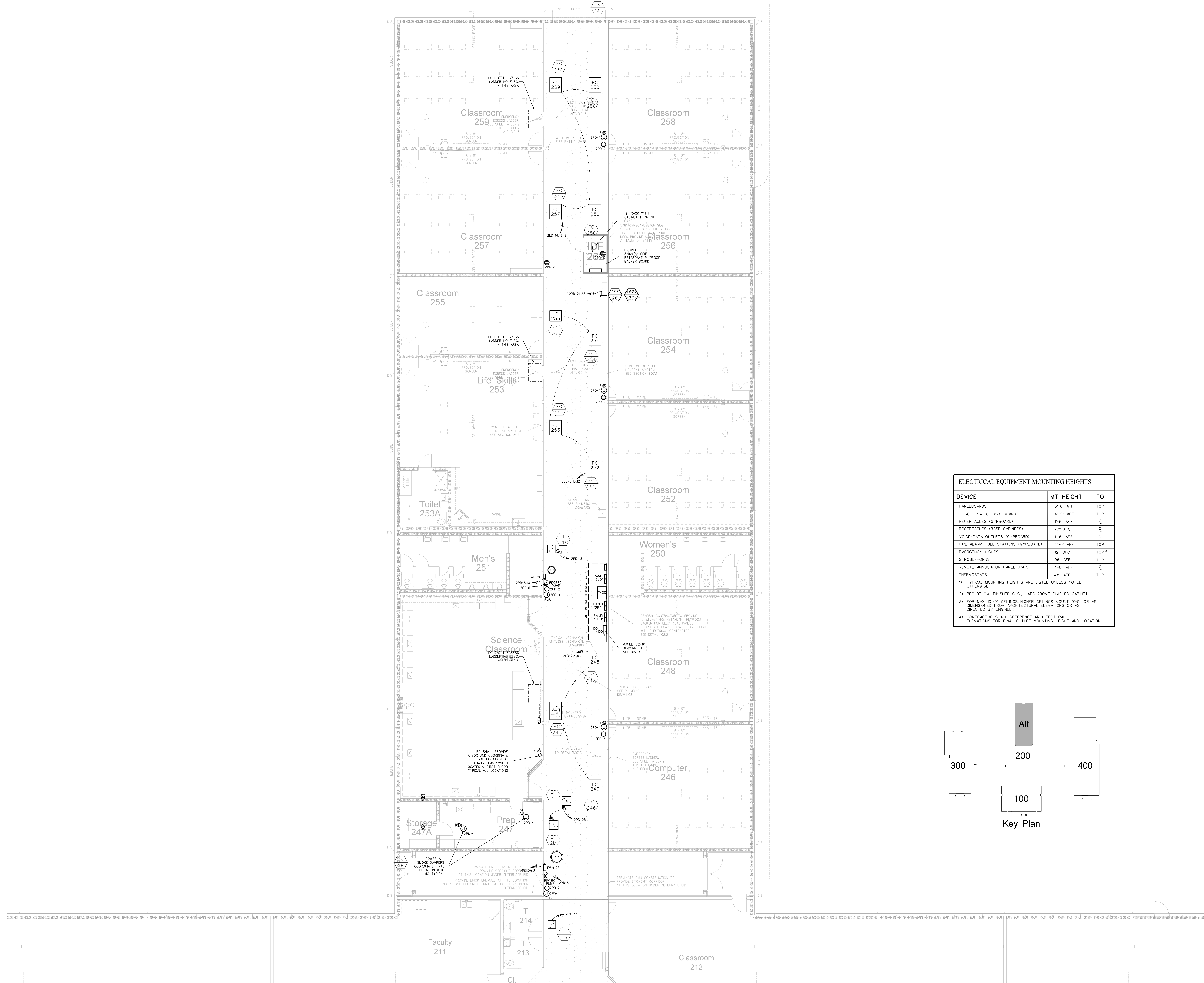
Revision
No. Date

Hite associates
 ARCHITECTURE / ENGINEERING / TECHNOLOGY
 2600 Meridian Drive / Greenville, NC 27834 / tel (252) 757-0333

HITE ASSOCIATES, P.C.
 PROFESSIONAL CORPORATION
 LICENSE NO. 418
 REGISTERED PROFESSIONAL ENGINEER

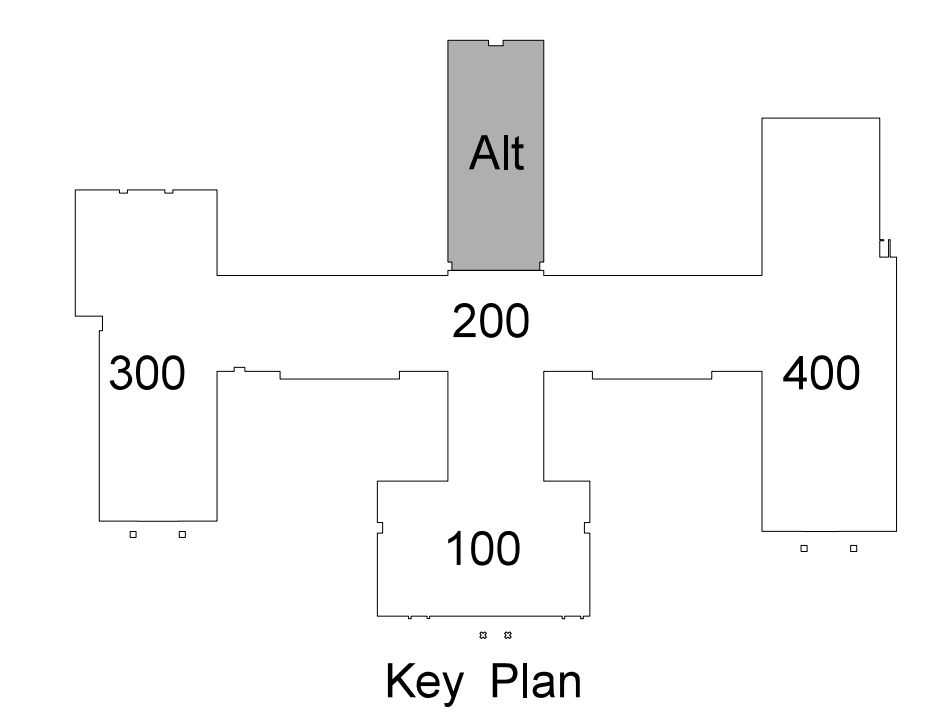
RECORD DRAWING
 Bertie High School
 Bertie County Schools
 716 US 13 North / NCDPS Unit 080 - School 312
 Windsor / Bertie County / North Carolina

Project No. 21131
 Date: 28 March 2012
 Drawing no. **E 209**



ELECTRICAL EQUIPMENT MOUNTING HEIGHTS		
DEVICE	MT HEIGHT	TO
PANELBOARDS	6'-6" AFF	TOP
TOGGLE SWITCH (GYPBOARD)	4'-0" AFF	TOP
RECEPTACLES (GYPBOARD)	1'-6" AFF	CL
RECEPTACLES (BASE CABINETS)	-7" AFC	CL
VOICE/DATA OUTLETS (GYPBOARD)	1'-6" AFF	CL
FIRE ALARM PULL STATIONS (GYPBOARD)	4'-0" AFF	TOP
EMERGENCY LIGHTS	12" BFC	TOP
STROBE/HORNS	96" AFF	TOP
REMOTE ANNUNCIATOR PANEL (RAP)	4'-0" AFF	CL
THERMOSTATS	48" AFF	TOP

1) TYPICAL MOUNTING HEIGHTS ARE LISTED UNLESS NOTED OTHERWISE.
 2) BFC-BELOW FINISHED CLG., AFC-ABOVE FINISHED CABINET
 3) FOR MAX 12'-0" CEILINGS, HIGHER CEILINGS MOUNT 9'-0" OR AS DIMENSIONED FROM ARCHITECTURAL ELEVATIONS OR AS DIRECTED BY ENGINEER
 4) CONTRACTOR SHALL REFERENCE ARCHITECTURAL ELEVATIONS FOR FINAL OUTLET MOUNTING HEIGHT AND LOCATION



211.1 CLASSROOM WING EAST EQUIPMENT PLATFORM POWER PLAN
 SCALE: 1/8" = 1'-0"

Project No. 21131

Date: 28 March 2012

Drawing no. **E 211**

Hite associates
 ARCHITECTURE / ENGINEERING / TECHNOLOGY

2600 Meridian Drive / Greenville, NC 27834 / tel (252) 757-0333

Revision

No.	Date

RECORD DRAWING

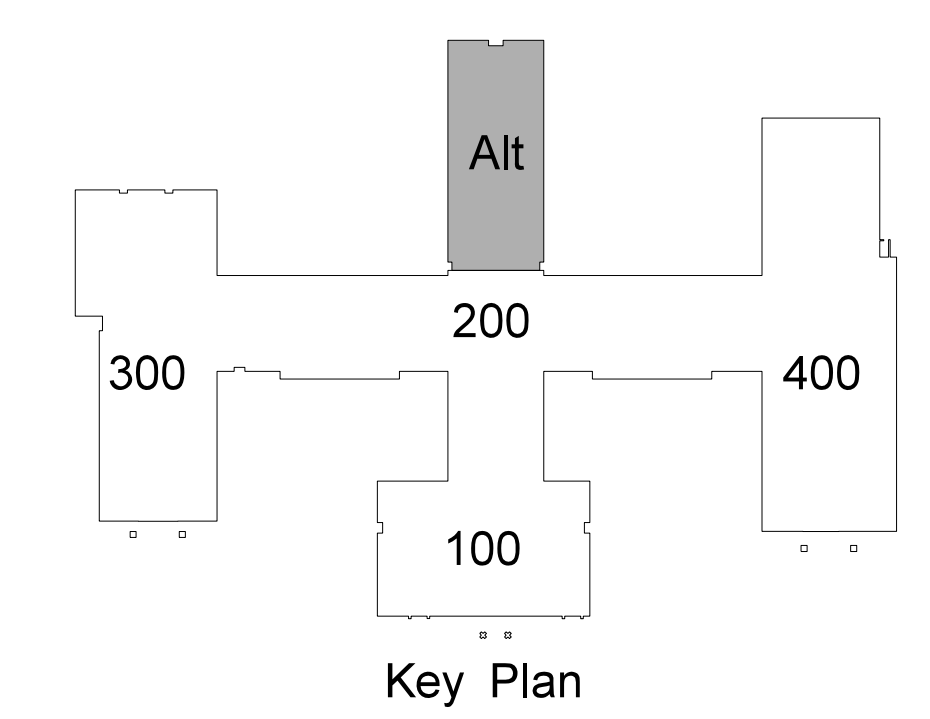
Bertie High School
 Bertie County Schools
 716 US 13 North / NCDPS Unit 080 - School 312
 Windsor / Bertie County / North Carolina

RECORD DRAWING



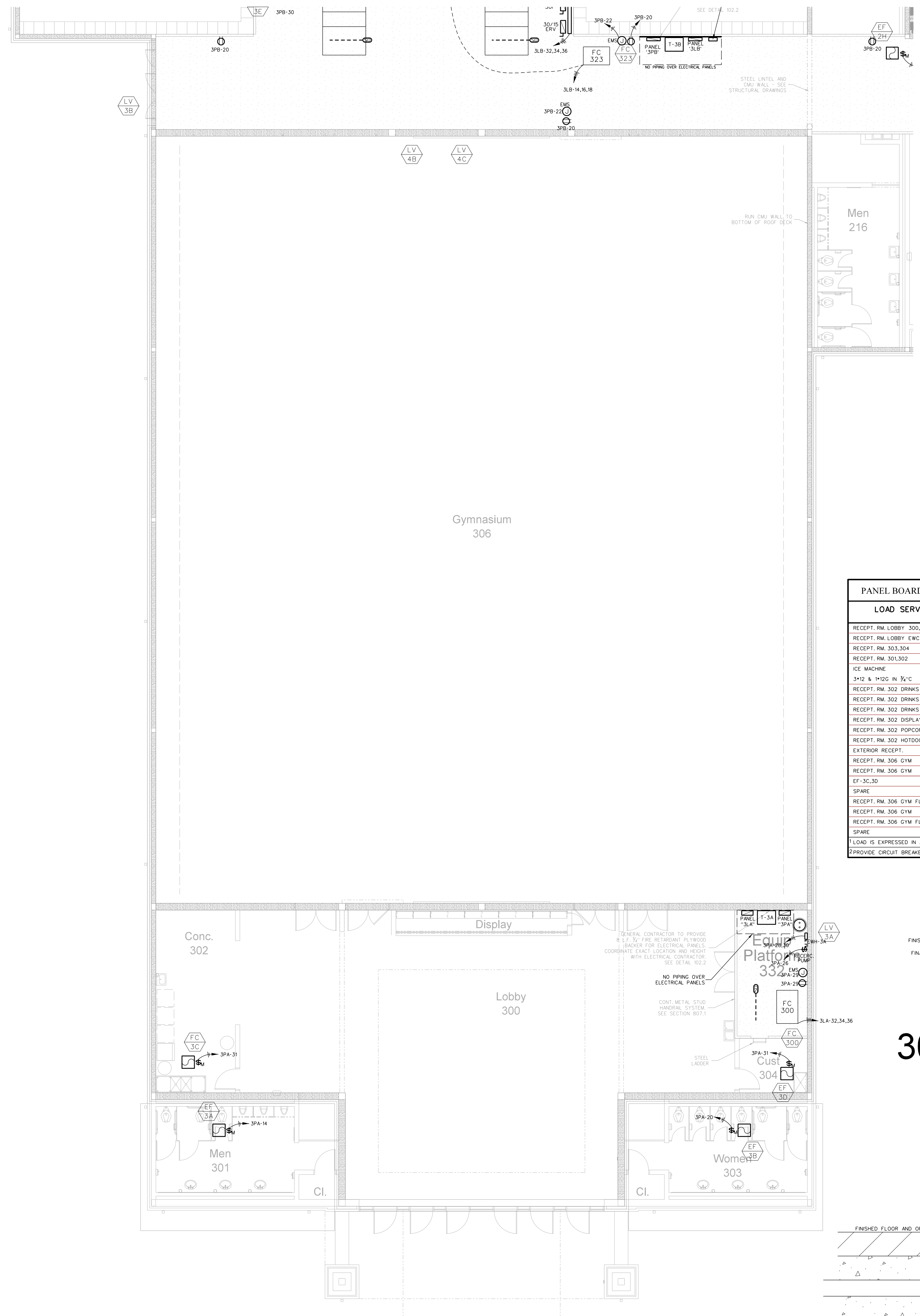
ELECTRICAL EQUIPMENT MOUNTING HEIGHTS		
DEVICE	MT HEIGHT	TO
PANELBOARDS	6'-6" AFF	TOP
TOGGLE SWITCH (GYPBOARD)	4'-0" AFF	TOP
RECEPTACLES (GYPBOARD)	1'-6" AFF	CL
RECEPTACLES (BASE CABINETS)	-7" AFC	CL
VOICE/DATA OUTLETS (GYPBOARD)	1'-6" AFF	CL
FIRE ALARM PULL STATIONS (GYPBOARD)	4'-0" AFF	TOP
EMERGENCY LIGHTS	12" BFC	TOP
STROBE/HORNS	96" AFF	TOP
REMOTE ANNUNCIATOR PANEL (RAP)	4'-0" AFF	CL
THERMOSTATS	48" AFF	TOP

1) TYPICAL MOUNTING HEIGHTS ARE LISTED UNLESS NOTED OTHERWISE.
 2) BFC-BELOW FINISHED CLG., AFC-ABOVE FINISHED CABINET
 3) FOR MAX 12'-0" CEILINGS, HIGHER CEILINGS MOUNT 9'-0" OR AS DIMENSIONED FROM ARCHITECTURAL ELEVATIONS OR AS DIRECTED BY ENGINEER
 4) CONTRACTOR SHALL REFERENCE ARCHITECTURAL ELEVATIONS FOR FINAL OUTLET MOUNTING HEIGHT AND LOCATION



212.1 CLASSROOM WING EAST EQUIPMENT PLATFORM LIGHTING / FIRE ALARM PLAN
 SCALE: 1/8" = 1'-0"

<p>Hite associates ARCHITECTURE / ENGINEERING / TECHNOLOGY</p> <p>2600 Meridian Drive / Greenville, NC 27834 / tel (252) 757-0333</p>	<p>PROJECT NO. 21131 DATE: 28 March 2012 DRAWING NO. E 212</p>
<p>RECORD DRAWING</p> <p>Bertie High School Bertie County Schools 716 US 13 North / NCDPS Unit 080 - School 312 Windsor / Bertie County / North Carolina</p>	<p>RECORD DRAWING</p> <p>NO. _____ DATE _____</p> <p>REVISION</p>



301.2 GYMNASIUM EQUIPMENT PLATFORM POWER PLAN
SCALE: 1/8" = 1'-0"

ELECTRICAL EQUIPMENT MOUNTING HEIGHTS

DEVICE	MT HEIGHT	TO
PANELBOARDS	6'-6" AFF	TOP
TOGGLE SWITCH (GYPBOARD)	4'-0" AFF	TOP
RECEPTACLES (GYPBOARD)	1'-6" AFF	CL
RECEPTACLES (BASE CABINETS)	1'-0" AFF	CL
VOICE/DATA OUTLETS (GYPBOARD)	1'-6" AFF	CL
FIRE ALARM PULL STATIONS (GYPBOARD)	4'-0" AFF	TOP
EMERGENCY LIGHTS	12" BFC	TOP ³
STROBE/HORNS	96" AFF	TOP
REMOTE ANNUNCIATOR PANEL (RAP)	4'-0" AFF	CL
THERMOSTATS	48" AFF	TOP

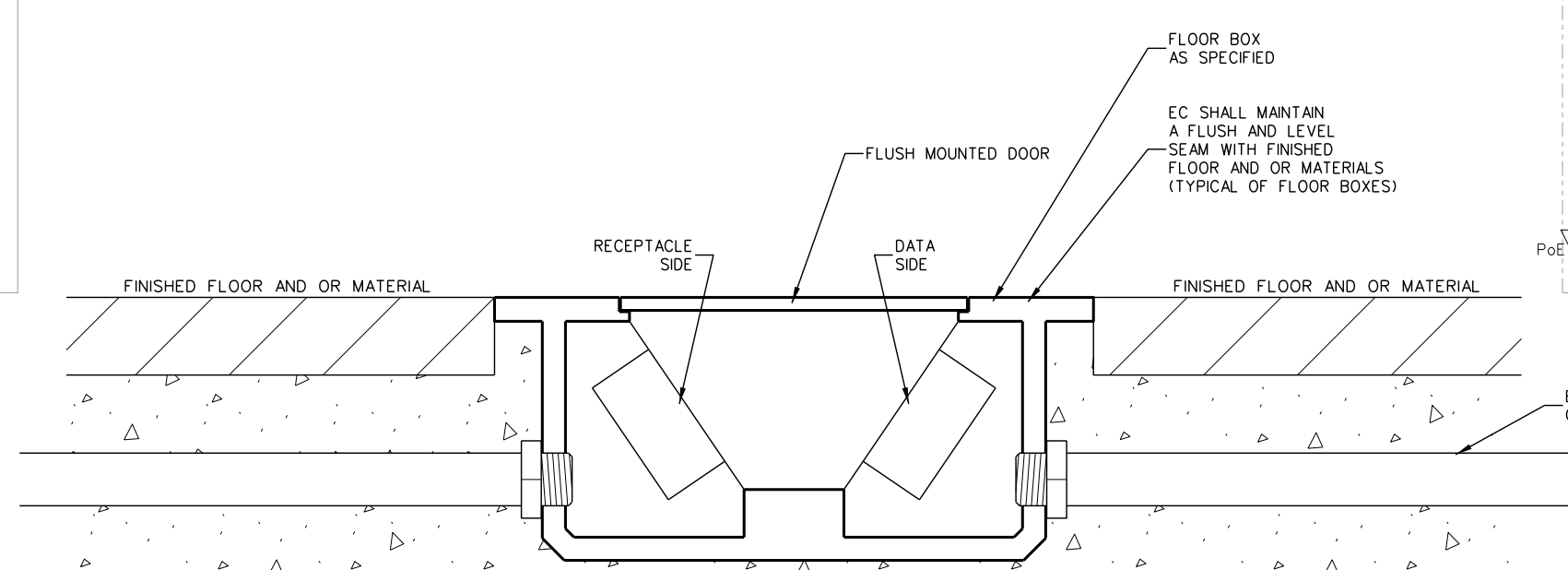
1) TYPICAL MOUNTING HEIGHTS ARE LISTED UNLESS NOTED OTHERWISE.
2) BFC-BELOW FINISHED CLG., AFC-ABOVE FINISHED CABINET.
3) FOR MAX 10'-0" CEILINGS, HIGHER CEILINGS MOUNT 9'-0" OR AS DIMENSIONS FROM ARCHITECTURAL ELEVATIONS OR AS DIRECTED BY ENGINEER.
4) CONTRACTOR SHALL REFERENCE ARCHITECTURAL ELEVATIONS FOR FINAL OUTLET MOUNTING HEIGHT AND LOCATION.

PANEL BOARD SCHEDULE 3PA

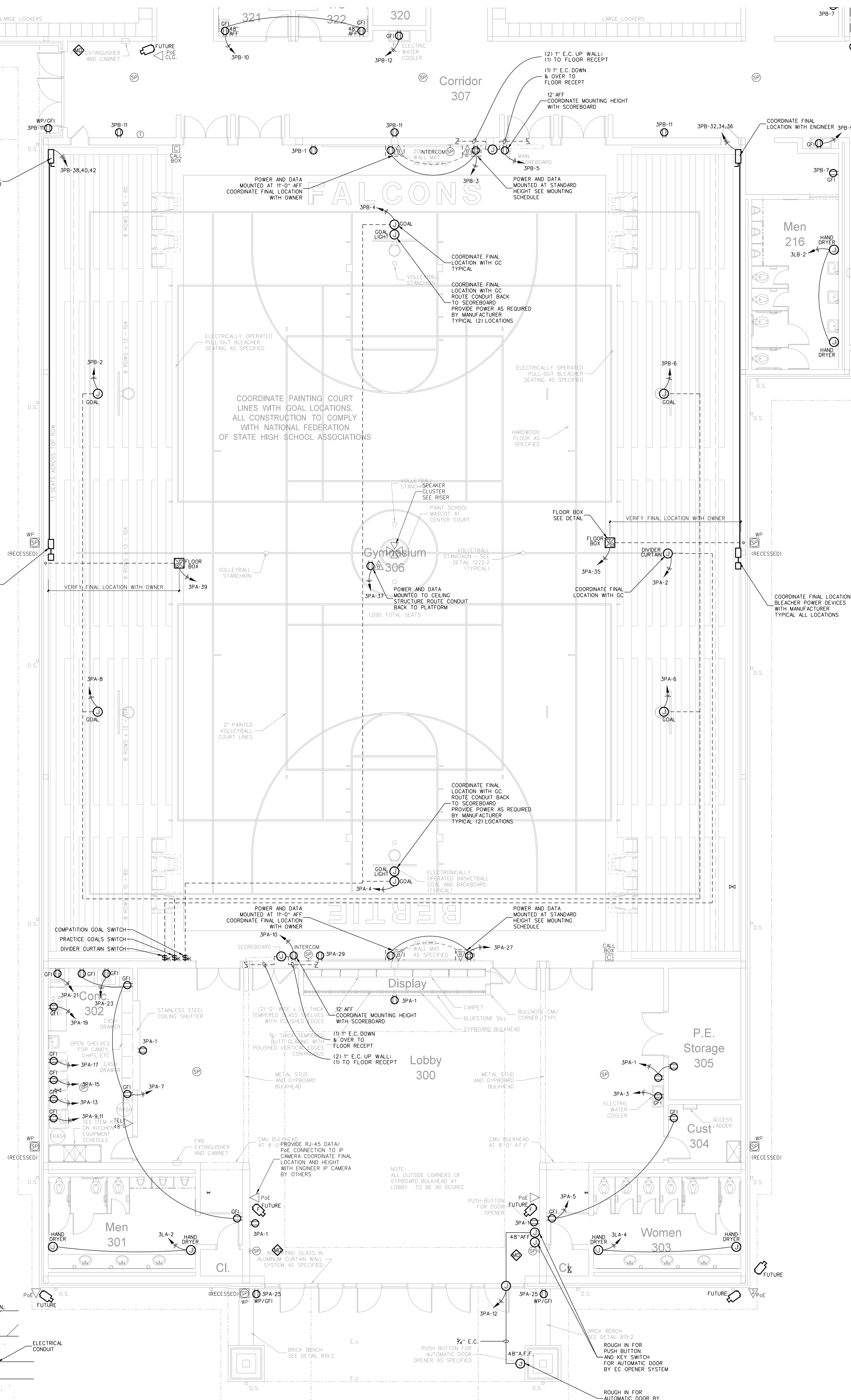
LOAD SERVED	LOAD A B C	CB	CKT	PHASE A B C	CKT A B C	LOAD A B C	LOAD SERVED
RECEPT. RM. LOBBY EWC	6	-	3		2 25 14		DIVIDER CURTAIN (3xP)
RECEPT. RM. 303,304	3	-	5		4 25 14		GOAL
RECEPT. RM. 301,302	6	-	7		8 25 14		GOAL
ICE MACHINE	12	20	9		18 20 5		RECEPT. RM. 306 GYM SCOREBOARD
3/4" & 1/2" IN 3/4" C	10	-	13		12 20 6		AUTOMATIC DOOR OPENER
RECEPT. RM. 302 DRINKS	10	-	15		14 15 6		EF-3A
RECEPT. RM. 302 DRINKS	10	-	15		16 20 -		SPARE
RECEPT. RM. 302 DRINKS	10	-	17		18 20 -		SPARE
RECEPT. RM. 302 DISPLAY SYSTEM	4	-	19		20 15 6		EF-3B
RECEPT. RM. 302 DISPCORN	11	-	21		22 - -		SPACE
RECEPT. RM. 302 HOTDOG	10	-	23		24 - -		SPACE
EXTERIOR RECEPT.	3	-	25		26 20 1		RECEP. PUMP
RECEPT. RM. 306 GYM	6	-	27		28 20 22		EW-3A
RECEPT. RM. 306 GYM	6	-	29		30 20 22		3/4" & 1/2" IN 3/4" C
EF-3C,3D	2	-	31		32 3		BLEACHER POWER GYM
SPARE	-	-	33		34 15 3		3/4" & 1/2" IN 3/4" C
RECEPT. RM. 306 GYM FLOOR BOX	3	-	35		36		
RECEPT. RM. 306 GYM	3	-	37		38		BLEACHER POWER GYM
RECEPT. RM. 306 GYM FLOOR BOX	3	-	39		40 15 3		3/4" & 1/2" IN 3/4" C
SPARE	-	-	41		42		
TOTAL LOAD - 95 AMPS							

LOAD IS EXPRESSED IN AMPS
PROVIDE CIRCUIT BREAKER LOCK

301.4 BLEACHER MOTOR CONNECTOR DETAIL
SCALE: none



301.3 FLOOR BOX MOUNTING DETAIL
SCALE: NONE



301.1 GYMNASIUM POWER PLAN
SCALE: 1/8" = 1'-0"

Revision
No. Date

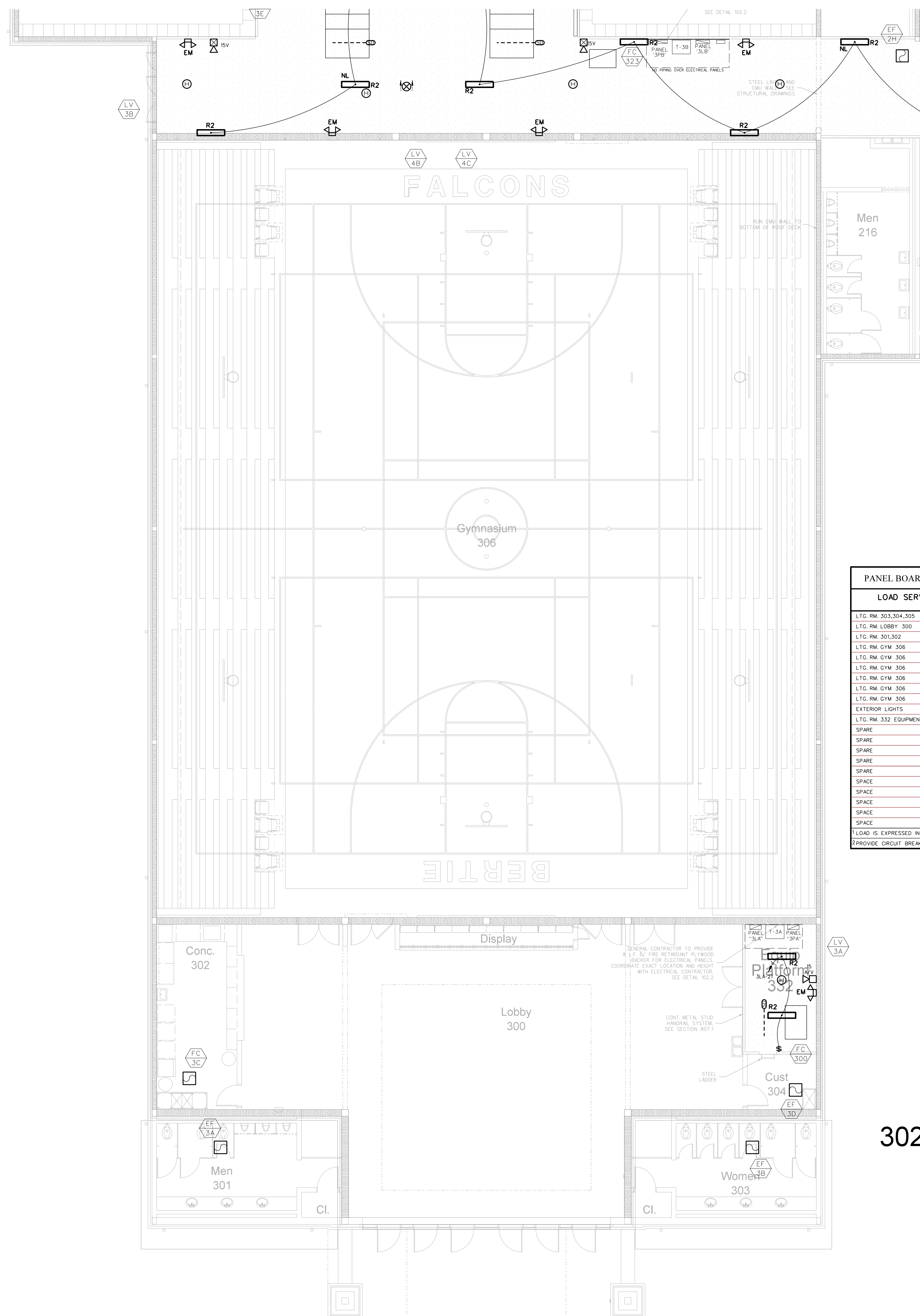
Hite associates
ARCHITECTURE / ENGINEERING / TECHNOLOGY
2600 Meridian Drive / Greenville, NC 27834 / Tel: (252) 757-0333

HITE ASSOCIATES, P.C.
MEMBER OF THE
NATIONAL ASSOCIATION OF ARCHITECTS
418
REGISTERED PROFESSIONAL ENGINEERS

RECORD DRAWING
Bertie High School
Bertie County Schools
716 US 13 North / NCDPS Unit 080 - School 312
Windsor / Bertie County / North Carolina

Project No. 21131
Date: 28 March 2012
Drawing no. **E 301**

No.	Date	Revision



ELECTRICAL EQUIPMENT MOUNTING HEIGHTS

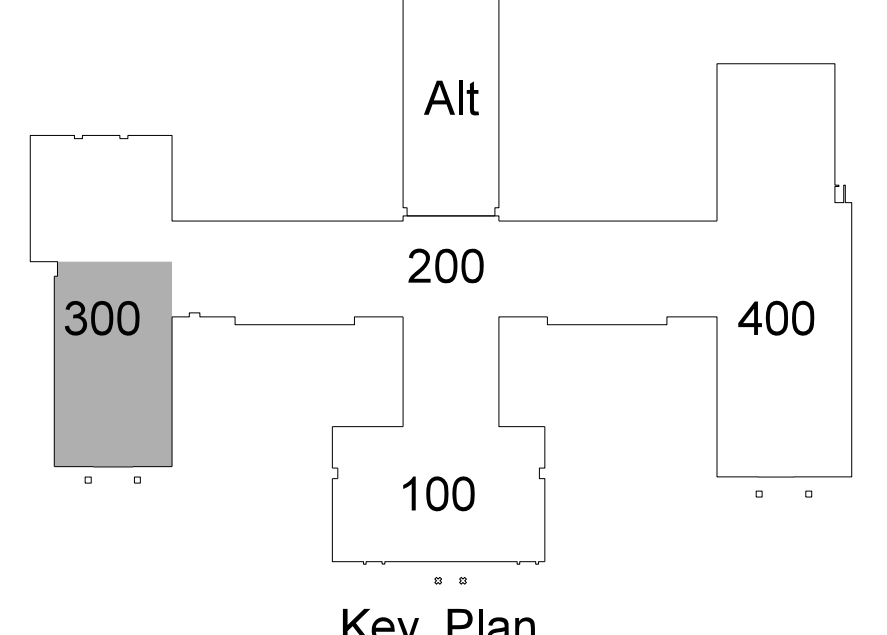
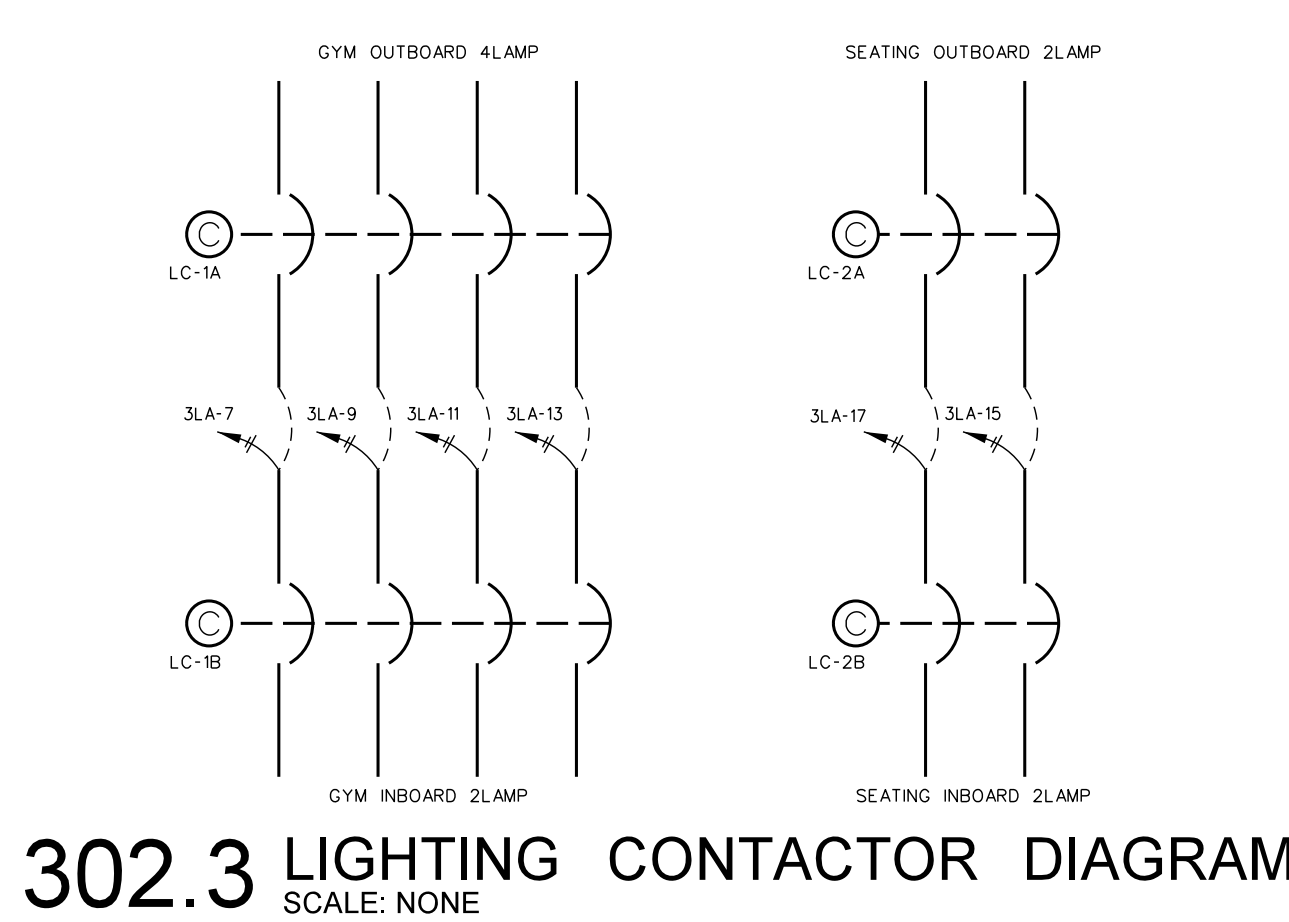
DEVICE	MT HEIGHT	TO
PANELBOARDS	6'-0" AFF TOP	
TOGGLE SWITCH (GYBOARD)	4'-0" AFF TOP	
RECEPTACLES (GYBOARD)	1'-6" AFF	⊕
RECEPTACLES (BASE CABINETS)	1'-0" AFF	⊕
VOICE/DATA OUTLETS (GYBOARD)	1'-6" AFF	⊕
FIRE ALARM PULL STATIONS (GYBOARD)	4'-0" AFF TOP	
EMERGENCY LIGHTS	12" BFC	⊕
STROBE/HORN	96" AFF TOP	
REMOTE ANNUNCIATOR PANEL (RAP)	4'-0" AFF	⊕
THERMOSTATS	48" AFF TOP	

1) TYPICAL MOUNTING HEIGHTS ARE LISTED UNLESS NOTED OTHERWISE
 2) BFC-BELOW FINISHED CLG., AFC-ABOVE FINISHED CABINET
 3) FOR MAX 10'-0" CEILINGS, HIGHER CEILINGS MOUNT 9'-0" OR AS DIMENSIONED FROM ARCHITECTURAL ELEVATIONS OR AS DIRECTED BY ENGINEER
 4) CONTRACTOR SHALL REFERENCE ARCHITECTURAL ELEVATIONS FOR FINAL OUTLET MOUNTING HEIGHT AND LOCATION

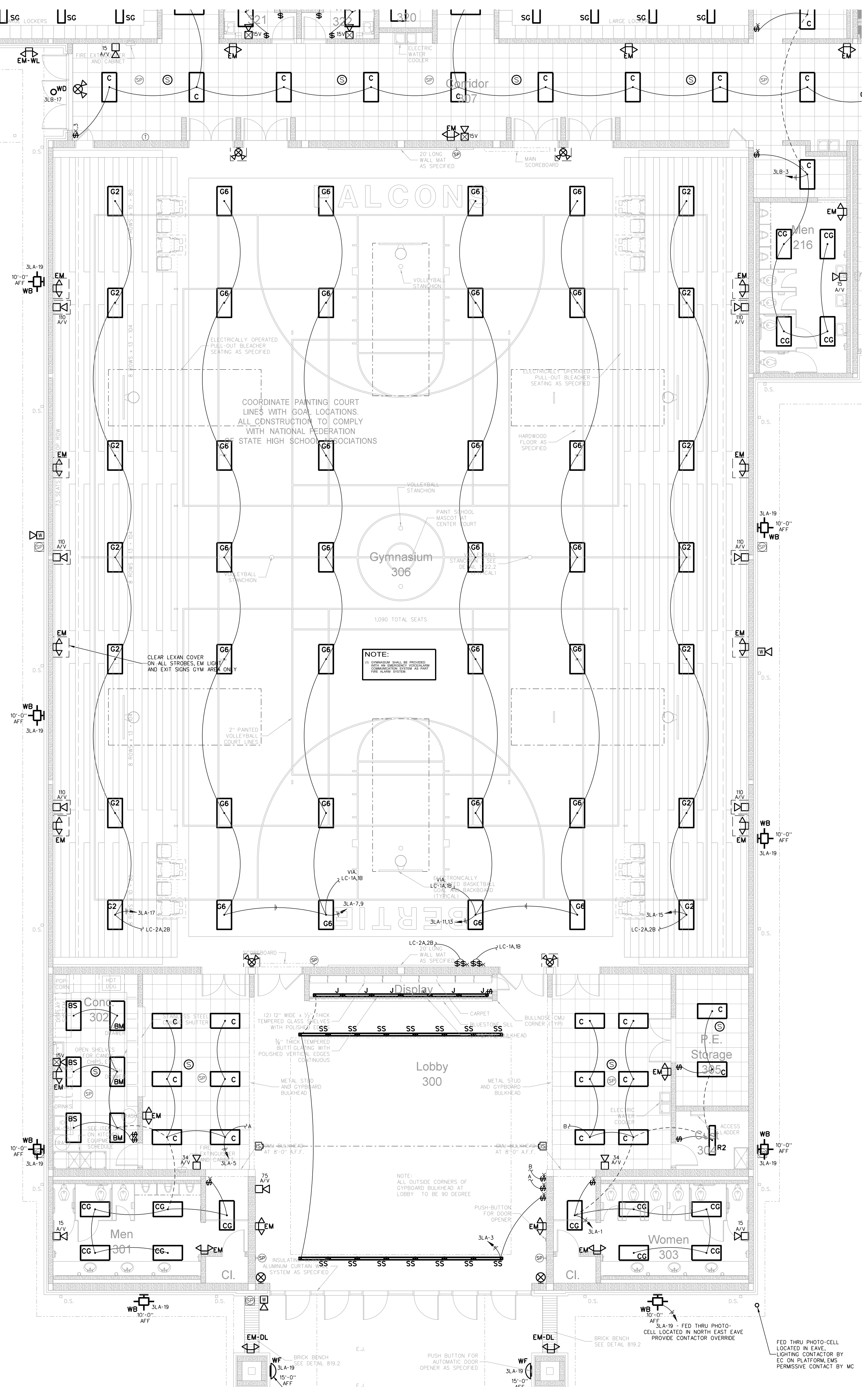
PANEL BOARD SCHEDULE 31A

LOAD SERVED	LOAD A B C	CB	CKT	PHASE A B C	AMP	CKT CB	LOAD A B C	LOAD SERVED
L.T.G. RM. 301,304,305	3	20	1		2	20		HAND DRYER
L.T.G. RM. LOBBY 300	4	20	3		4	20		HAND DRYER
L.T.G. RM. 301,302	5	20	5		6	20		PARKING LOT LIGHTS
L.T.G. RM. GYM 306	10	20	7		8	20		PARKING LOT LIGHTS
L.T.G. RM. GYM 306	10	20	9		10	20		SPARE
L.T.G. RM. GYM 306	10	20	11		12	20		SPARE
L.T.G. RM. GYM 306	10	20	13		14	20		PARKING LOT LIGHTS
L.T.G. RM. GYM 306	7	20	15		16	20		SPARE
L.T.G. RM. GYM 306	7	20	17		18	20		SPARE
EXTERIOR LIGHTS	7	20	19		20	20		SPARE
L.T.G. RM. 322 EQUIPMENT PLATFORM	1	20	21		22	-		SPARE
SPARE	-	20	23		24	-		SPARE
SPARE	-	20	25		26	-		SPARE
SPARE	-	20	27		28	-		SPARE
SPARE	-	20	29		30	-		SPARE
SPARE	-	20	31		32	2		FC-300
SPARE	-	33			34	20	2	3x12 & 1x20 IN 3/4" C
SPARE	-	35			36			
SPARE	-	37			38	41		
SPARE	-	39			40	125	41	T-3A
SPARE	-	41			42		41	

LOAD IS EXPRESSED IN AMPS
 PROVIDE CIRCUIT BREAKER LOCK
 TOTAL LOAD = 86 AMPS

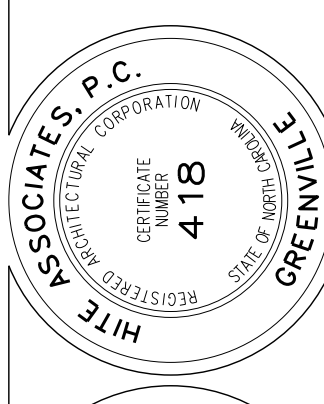


302.2 GYMNASIUM EQUIPMENT PLATFORM LIGHTING / FIRE ALARM PLAN
 SCALE: 1/8" = 1'-0"



302.1 GYMNASIUM LIGHTING / FIRE ALARM PLAN
 SCALE: 1/8" = 1'-0"

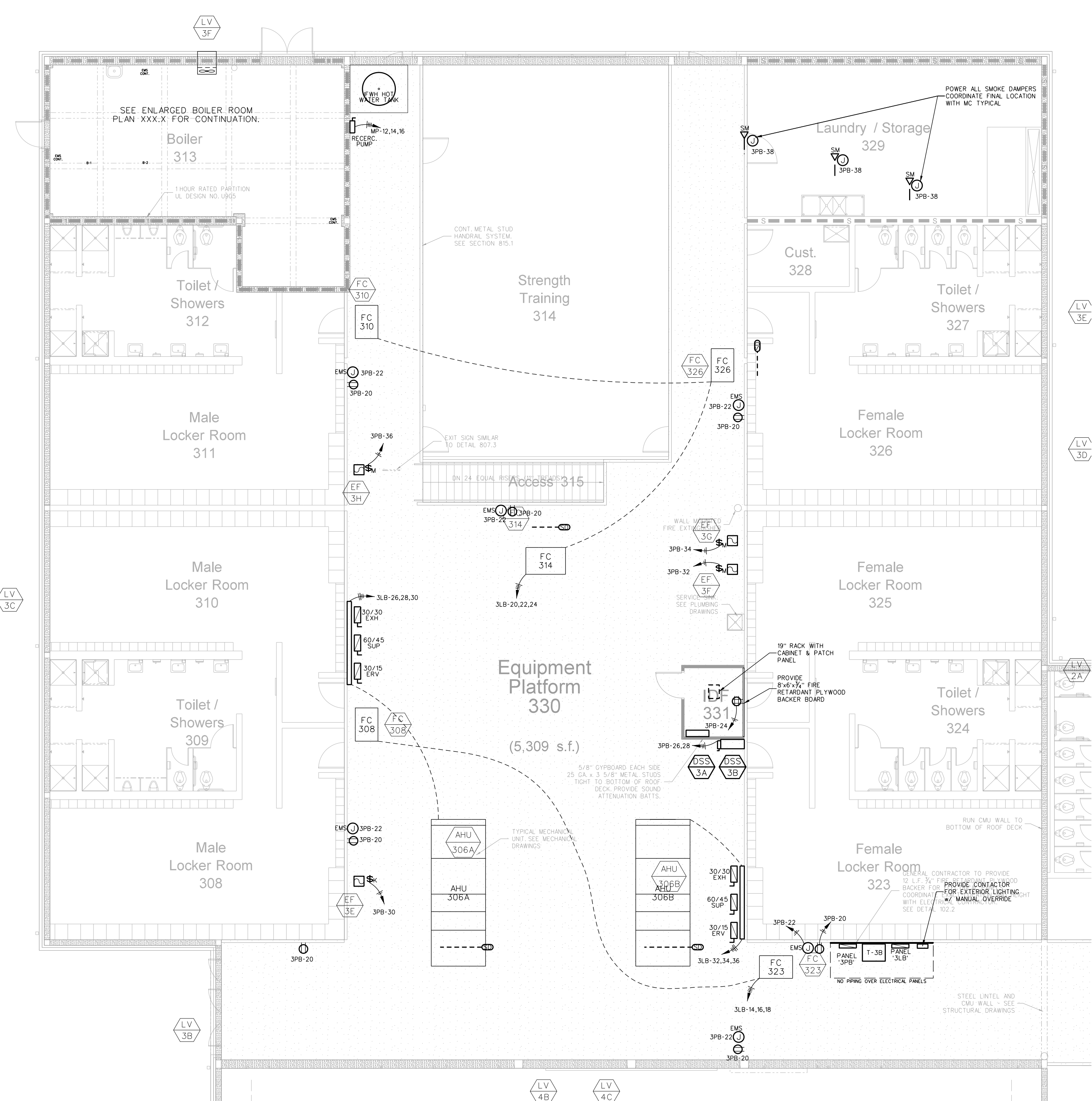
Hite associates
 ARCHITECTURE / ENGINEERING / TECHNOLOGY
 2600 Meridian Drive / Greenville, NC 27834 / tel (252) 757-0333



RECORD DRAWING
New Bertie High School
 Bertie County Schools
 716 US 13 North / NCDPS Unit 080 - School 312
 Windsor / Bertie County / North Carolina

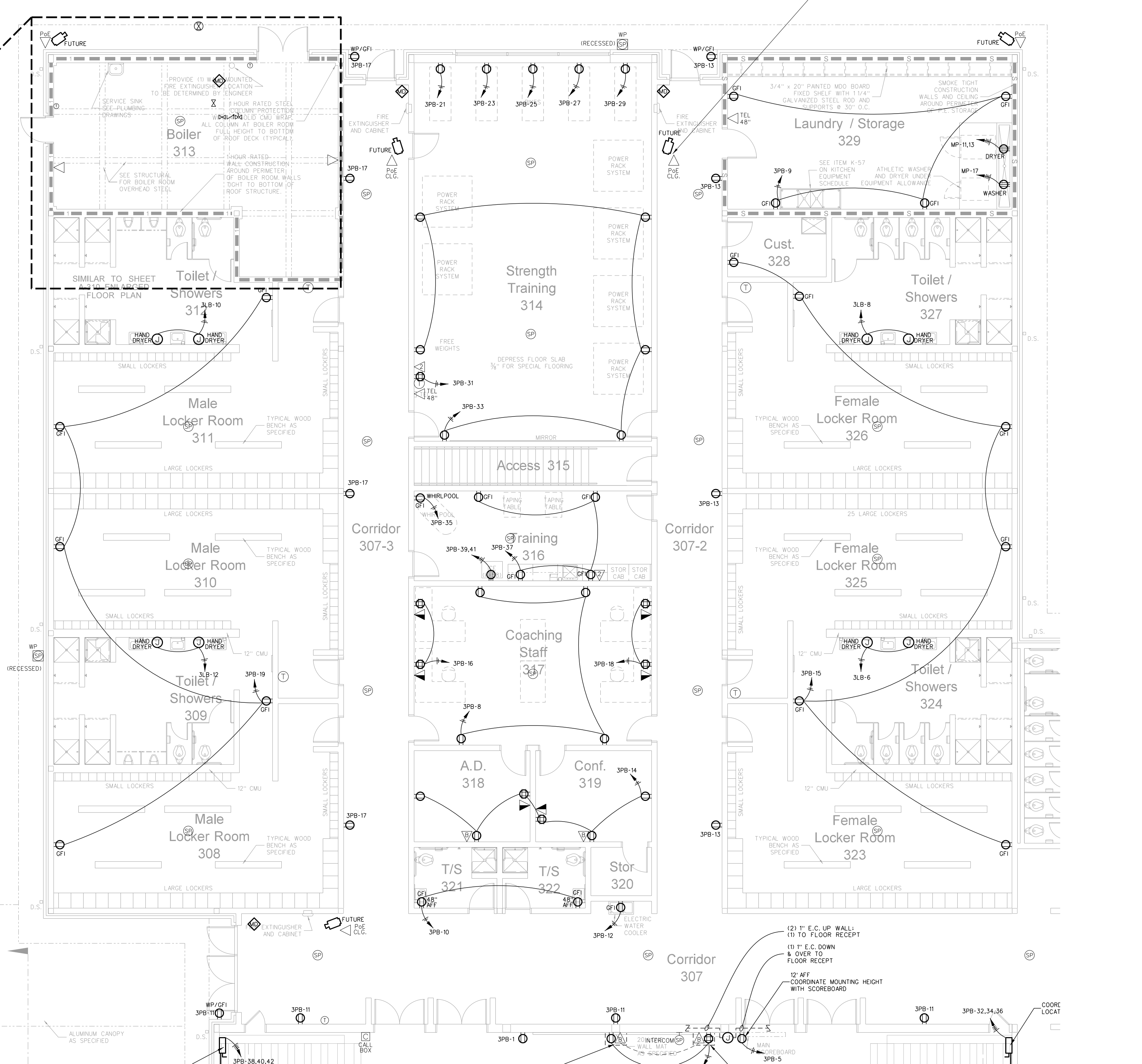
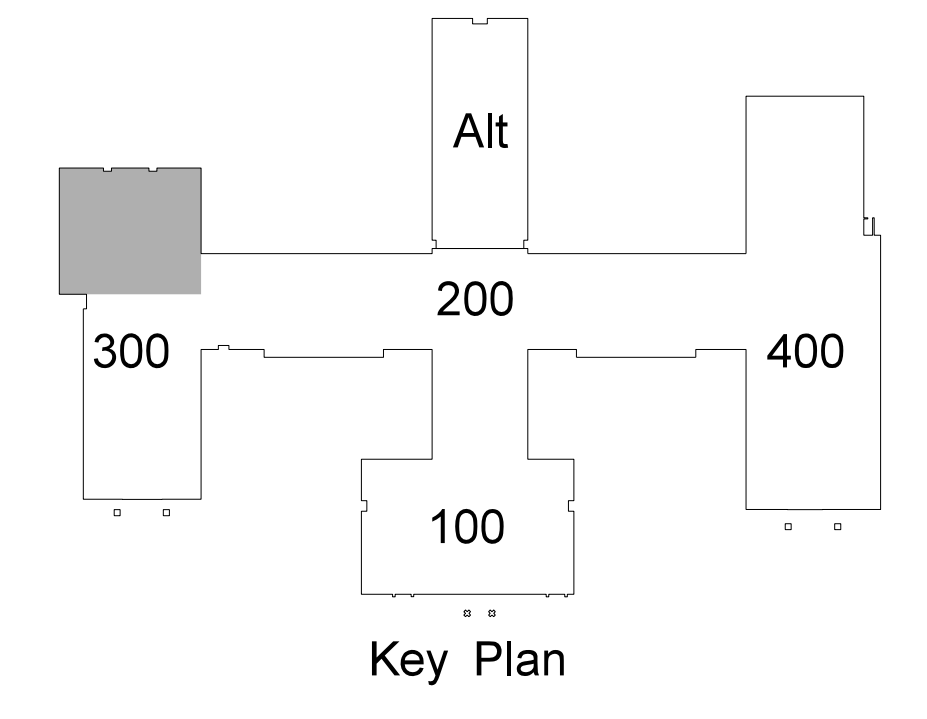
Project No: 21131
 Date: 28 March 2012
 Drawing No: **E 302**

PANEL BOARD SCHEDULE 3PB										150 AMP MB 10,000 A.I.C. FED FROM SERVICE			208/120V 3PH, 4W		
LOAD SERVED	LOAD A B C	CB	CKT	PHASE A B C	CKT	CB	LOAD A B C	A.I.C.	FED FROM SERVICE	LOAD SERVED					
RECEPT. RM. 306 GYM	3	20	1			2	25	14		GOAL					
RECEPT. RM. 306 GYM	6	20	3			4	25	14		GOAL					
RECEPT. RM. 306 GYM SCOREBOARD	6	20	5			6	25	14		GOAL					
RECEPT. RM. 323,324	3	20	7			8	20	6		RECEPT. RM. 317					
RECEPT. CORRIDOR 307 EWC	6	20	9			10	20	3		RECEPT. RM. 321,322					
RECEPT. CORRIDOR 307	9	20	11			12	20	6		RECEPT. CORRIDOR 307 EWC					
RECEPT. CORRIDOR 307-2	6	20	13			14	20	9		RECEPT. RM. 318,319					
RECEPT. RM. 323,324,325,326,327,328	9	20	15			16	20	6		RECEPT. RM. 317					
RECEPT. CORRIDOR 307-3	6	20	17			18	20	6		RECEPT. RM. 317					
RECEPT. RM. 308,309,310,311,312	8	20	19			20	20	10		RECEPT. RM. 330 EQUIP. PLATFORM					
RECEPT. RM. 314	4	20	21			22	20	6		EMS					
RECEPT. RM. 314	4	20	23			24	20	3		RECEPT. RM. OF 333					
RECEPT. RM. 314	4	20	25			26	20	17		DSS-3A/3B					
RECEPT. RM. 314	4	20	27			28	17			3*12 & 1*12G IN 1/2" C					
RECEPT. RM. 314	4	20	29			30	15	6		EF-3C					
RECEPT. RM. 314	3	20	31			32	15	6		EF-3F					
RECEPT. RM. 314	9	20	33			34	15	6		EF-3C					
RECEPT. RM. 316 WHIRLPOOL	12	3	35			36	15	6		EF-3H					
RECEPT. RM. 316	6	20	37			38	20	3		SMOKE DAMPERS					
ICE MACHINE RM. 316	12	30	39			40	-	-		SPACE					
3*12 & 1*12G IN 1/2" C	12	20	41			42	-	-		SPACE					
LOAD IS EXPRESSED IN AMPS										TOTAL LOAD = 102 AMPS					
PROVIDE CIRCUIT BREAKER LOCK															
WHIRLPOOL RECEPT SUBJECT TO CHANGE PER COORDINATION w/ OWNER'S EQUIPMENT															



DEVICE	MT HEIGHT	TO
PANELBOARDS	6'-6" AFF	TOP
TODDLE SWITCH (GYBOARD)	4'-0" AFF	TOP
RECEPTACLES (GYBOARD)	1'-6" AFF	€
RECEPTACLES (BASE CABINETS)	1'-7" AFF	€
VOICE/DATA OUTLETS (GYBOARD)	1'-0" AFF	€
FIRE ALARM PULL STATIONS (GYBOARD)	4'-0" AFF	TOP
EMERGENCY LIGHTS	12" BFC	TOP ¹
STROBE/HORNS	96" AFF	€
REMOTE ANNUNCIATOR PANEL (RAP)	4'-0" AFF	€
THERMOSTATS	48" AFF	TOP

1) TYPICAL MOUNTING HEIGHTS ARE LISTED UNLESS NOTED OTHERWISE
 2) BFC-BELOW FINISHED C.L.G., AFC-ABOVE FINISHED CABINET
 3) FOR MAX. 10'-0" CEILINGS, HIGHER CEILINGS MOUNT 9'-0" OR AS DIMENSIONED FROM ARCHITECTURAL ELEVATIONS OR AS DIRECTED BY ENGINEER
 4) CONTRACTOR SHALL REFERENCE ARCHITECTURAL ELEVATIONS FOR FINAL OUTLET MOUNTING HEIGHT AND LOCATION



303.2 LOCKER ROOM / BOILER ROOM EQUIPMENT PLATFORM LIGHTING / FIRE ALARM PLAN
 SCALE: 1/8" = 1'-0"

303.1 LOCKER ROOM / BOILER ROOM POWER PLAN
 SCALE: 1/8" = 1'-0"

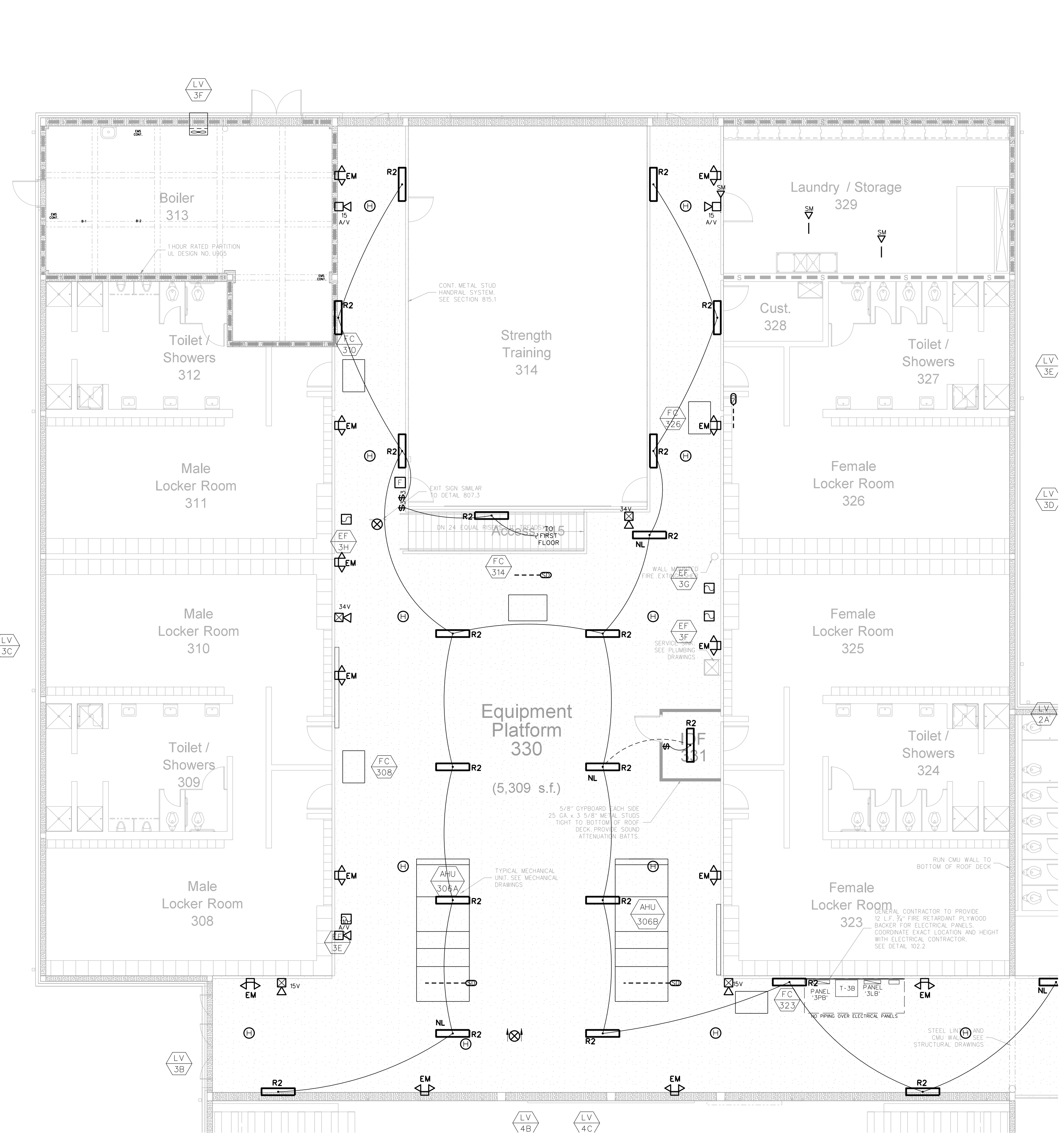
Hite associates
 ARCHITECTURE / ENGINEERING / TECHNOLOGY
 2600 Meridian Drive / Greenville, NC 27834 / Tel: (252) 757-0333

RECORD DRAWING
 Bertie High School
 Bertie County Schools
 716 US 13 North / NCDPS Unit 080 - School 312
 Windsor / Bertie County / North Carolina

Project No. 21131
 Date: 28 March 2012
 Drawing No. E 303

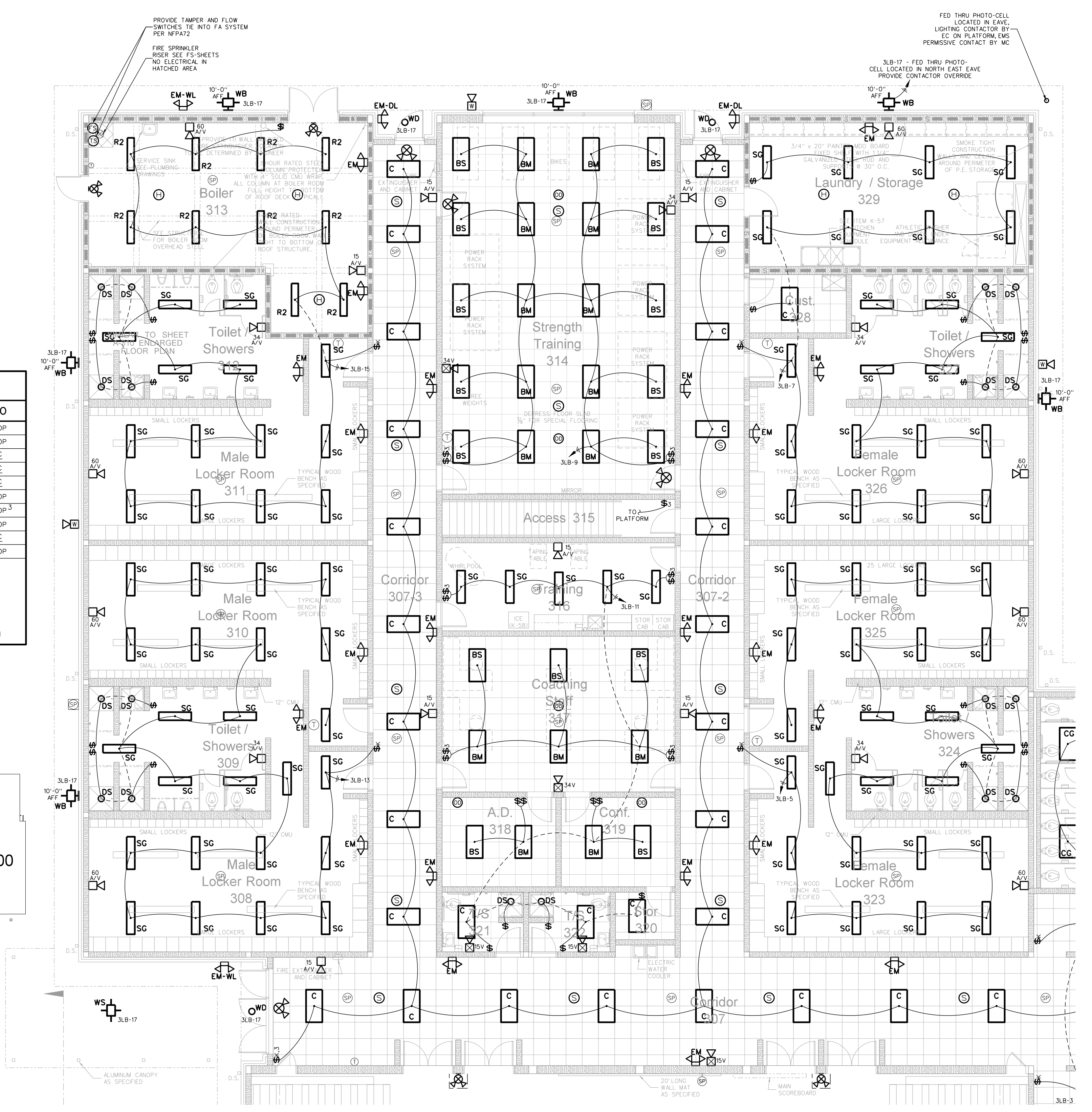
LOAD SERVED	250 AMP MLO 65,000			480/277V 3PH, 4W		
	LOAD A B C	CB	CKT	PHASE A B C	CKT	LOAD A B C
LITG. CORRIDOR, 307-2,307-3	7	20	1		2	20
LITG. RM. 215,216	3	20	3		4	20
LITG. RM. 323,324,325	8	20	5		6	20
LITG. RM. 326,327,328,329	6	20	7		8	20
LITG. RM. 334	7	20	9		10	20
LITG. RM. 316,317,318,319,320,321,322	6	20	11		12	20
LITG. RM. 308,309,310	8	20	13		14	2
LITG. RM. 311,312,313	6	20	15		16	2
EXTERIOR LIGHTS	3	20	17		18	3
LITG. RM. 330 EQUIPMENT PLATFORM	5	20	19		20	3
PARKING LOT LIGHTS	6	20	21		22	3
SPARE	-	20	23		24	3
SPARE	-	20	25		26	37
SPARE	-	20	27		28	50
SPARE	-	20	29		30	37
SPARE	-	20	31		32	37
SPARE	-	20	33		34	50
SPARE	-	20	35		36	37
SPARE	-	20	37		38	71
SPARE	-	20	39		40	79
SPARE	-	20	41		42	82
TOTAL LOAD = 202 AMPS						

LOAD IS EXPRESSED IN AMPS
PROVIDE CIRCUIT BREAKER LOCK



DEVICE	MT HEIGHT	TO
PANELBOARDS	6'-6" AFF	TOP
TOGGLE SWITCH (GYBOARD)	4'-0" AFF	TOP
RECEPTACLES (GYBOARD)	1'-6" AFF	CL
RECEPTACLES (BASE CABINETS)	1'-6" AFF	CL
VOICE/DATA OUTLETS (GYBOARD)	1'-6" AFF	CL
FIRE ALARM PULL STATIONS (GYBOARD)	4'-0" AFF	TOP
EMERGENCY LIGHTS	12'-0" BFC	TOP ³
STROBE/HORN	96" AFF	TOP
REMOTE ANNUNCIATOR PANEL (RAP)	4'-0" AFF	CL
THERMOSTATS	4'-8" AFF	TOP

1) TYPICAL MOUNTING HEIGHTS ARE LISTED UNLESS NOTED OTHERWISE
 2) BFC=BELOW FINISHED CLG., AFC=ABOVE FINISHED CABINET
 3) FOR MAX 10'-0" CEILINGS, HIGHER CEILINGS MOUNT 9'-0" OR AS DIMENSIONED FROM ARCHITECTURAL ELEVATIONS OR AS DIRECTED BY ENGINEER
 4) CONTRACTOR SHALL REFERENCE ARCHITECTURAL ELEVATIONS FOR FINAL OUTLET MOUNTING HEIGHT AND LOCATION



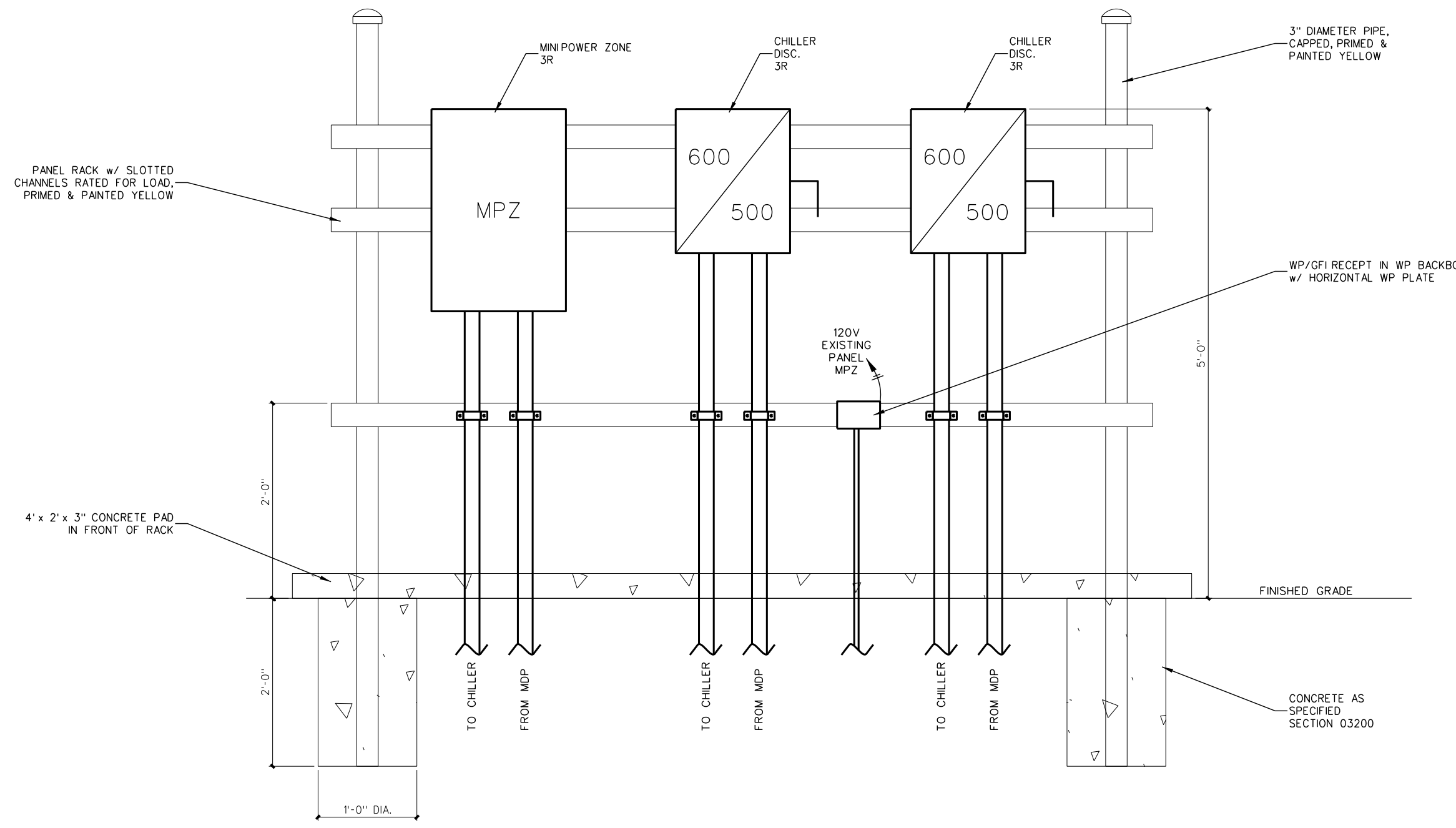
304.2 LOCKER ROOM / BOILER ROOM EQUIPMENT PLATFORM LIGHTING / FIRE ALARM PLAN
SCALE: 1/8" = 1'-0"

304.1 LOCKER ROOM / BOILER ROOM LIGHTING / FIRE ALARM PLAN
SCALE: 1/8" = 1'-0"

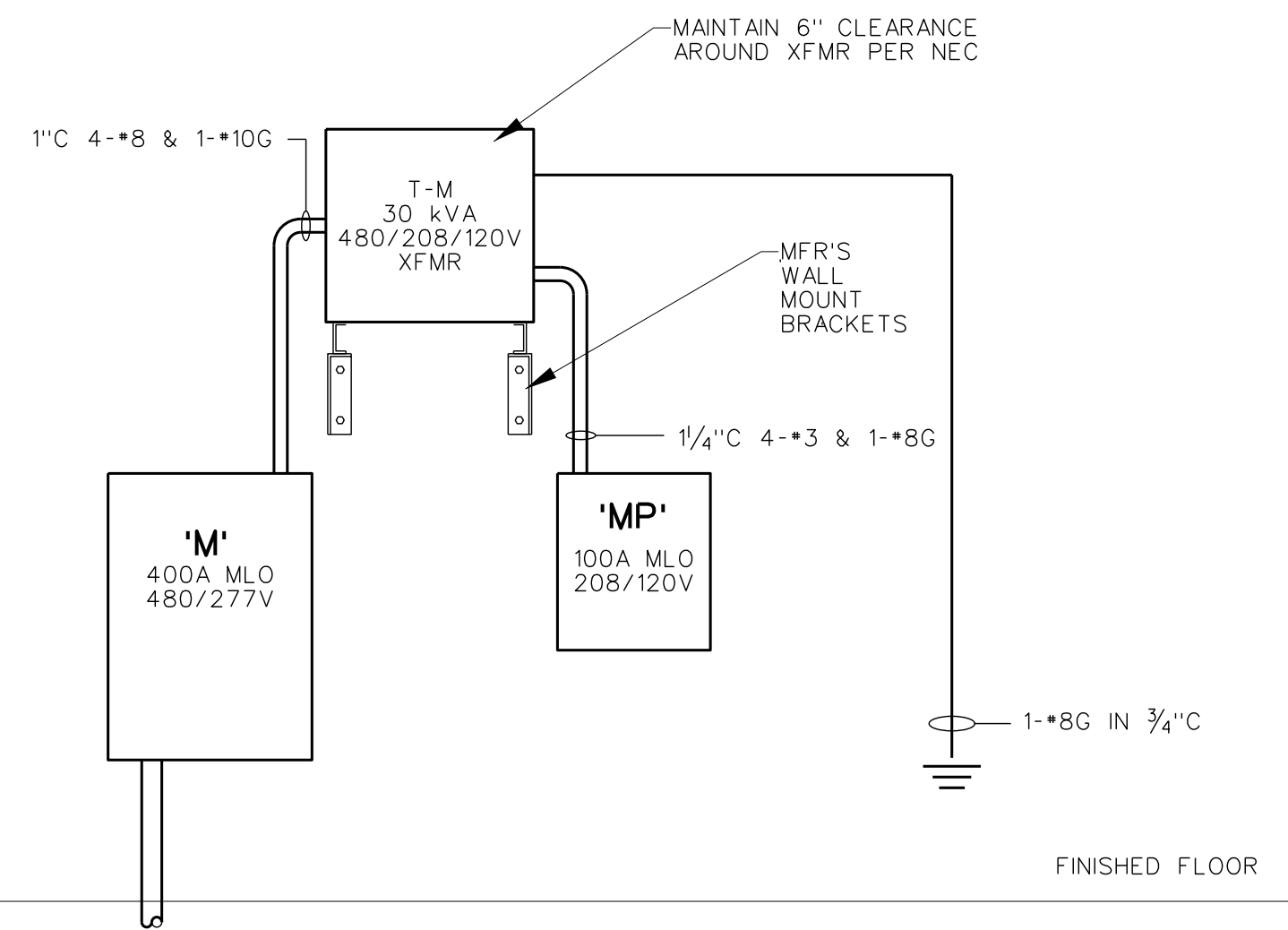
Project No. 21131
Date: 28 March 2012
Drawing No. E 304

Hite associates
ARCHITECTURE / ENGINEERING / TECHNOLOGY
2600 Meridian Drive / Greenville, NC 27834 / tel (252) 757-0333

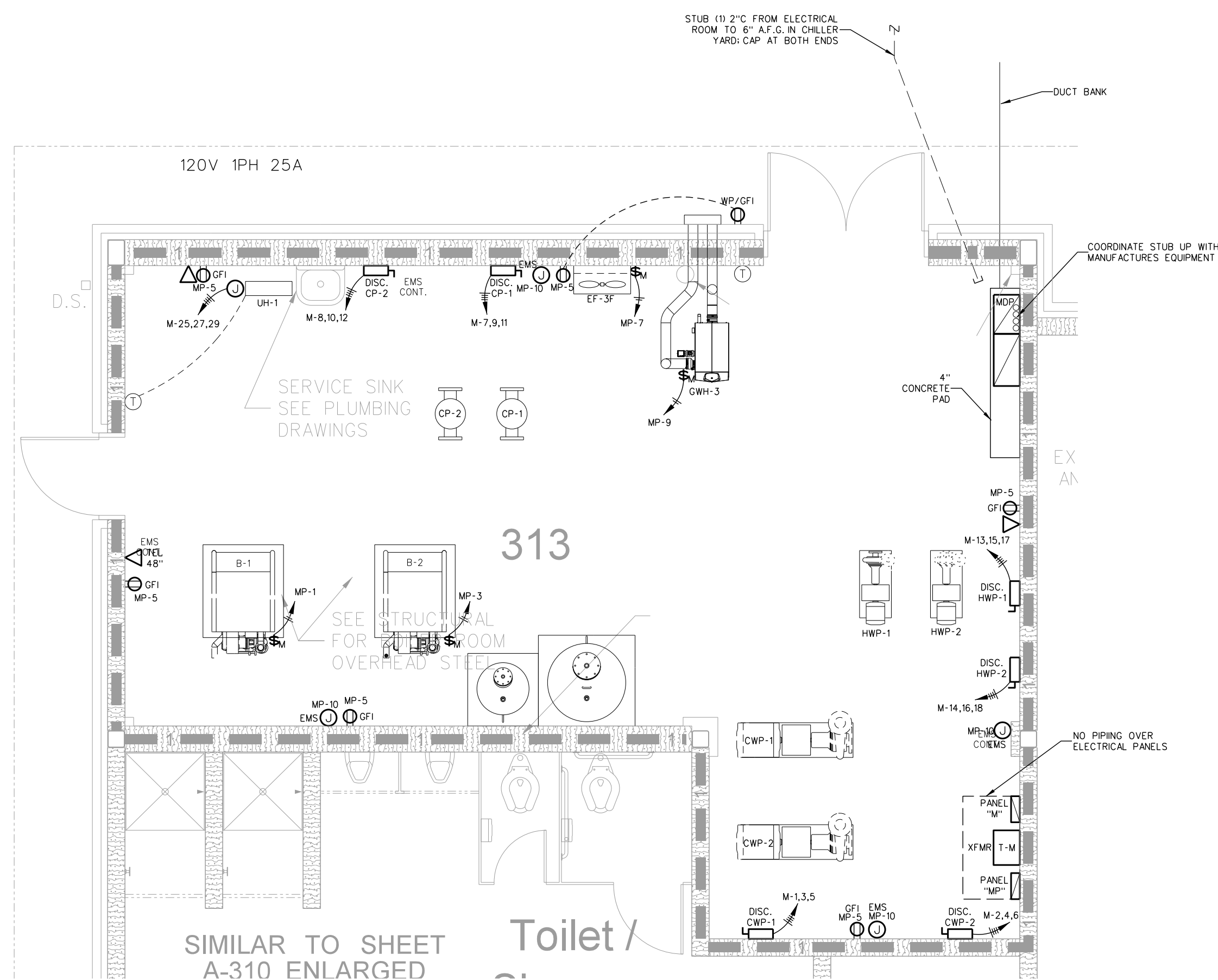
RECORD DRAWING
Bertie High School
Bertie County Schools
716 US 13 North / NCDPS Unit 080 - School 312
Windsor / Bertie County / North Carolina



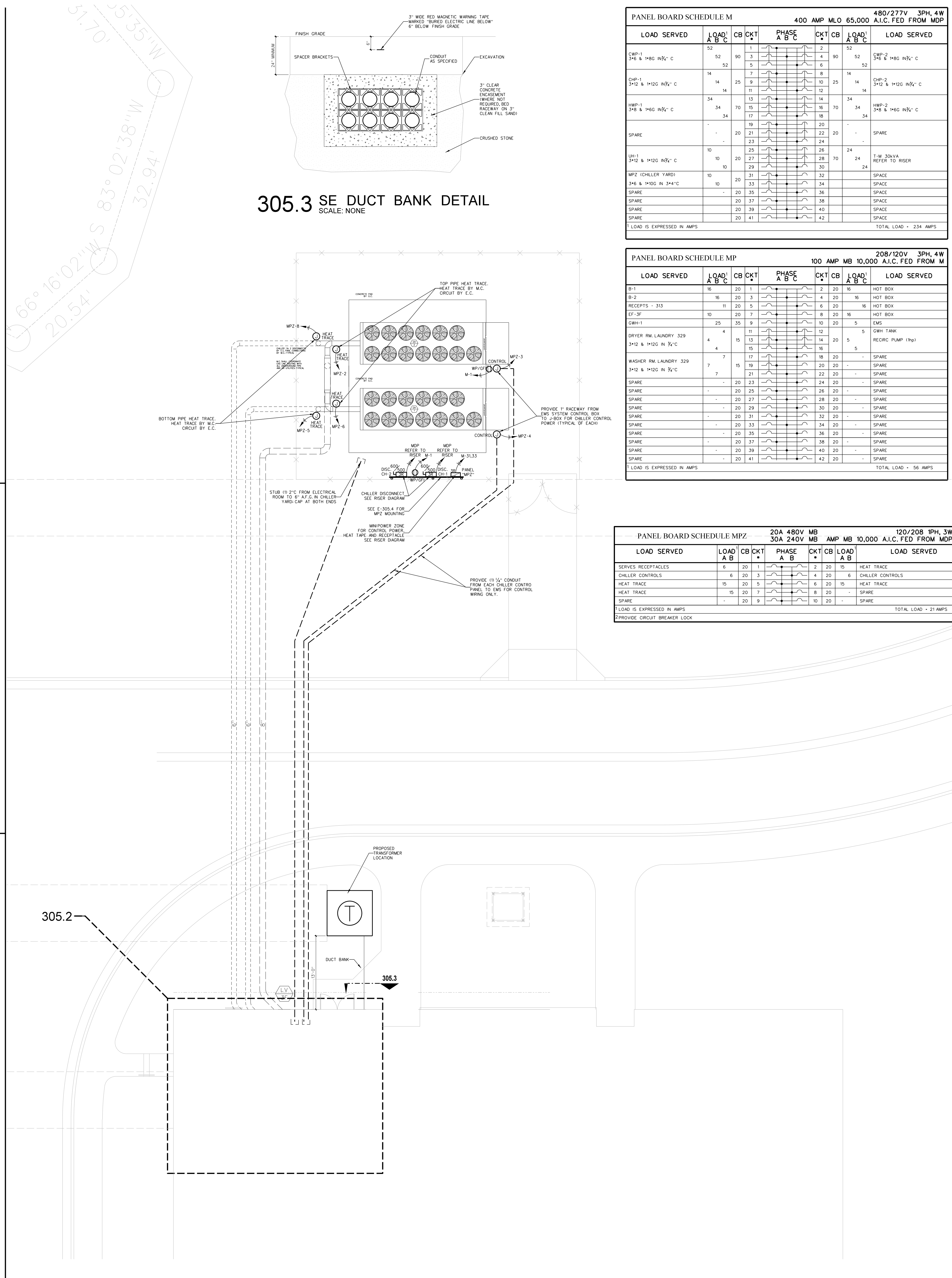
305.5 CHILLER MPZ / DISCONNECT MOUNTING DETAIL
SCALE: NONE



305.4 PARTIAL RISER DIAGRAM
SCALE: NONE



305.2 ENLARGED BOILER ROOM POWER PLAN
SCALE: 1/4" = 1'-0"



305.3 SE DUCT BANK DETAIL
SCALE: NONE

PANEL BOARD SCHEDULE M

LOAD SERVED	LOAD A B C	CB	CKT	PHASE A B C	CKT	CB	LOAD A B C	LOAD SERVED
SWP-1 3/4 & 1/2 IN 3/4\" C	52	90	1	1	2	90	52	SWP-2 1/2 IN 3/4\" C
CHP-1 3/4 & 1/2 IN 3/4\" C	14	25	9	1	10	25	14	CHP-2 3/4 & 1/2 IN 3/4\" C
HWP-1 3/4 & 1/2 IN 3/4\" C	34	70	13	1	14	70	34	HWP-2 3/4 & 1/2 IN 3/4\" C
SPARE	-	20	21	1	22	20	-	SPARE
SPARE	-	20	23	1	24	20	-	SPARE
SPARE	-	20	25	1	26	20	-	SPARE
SPARE	-	20	27	1	28	20	-	SPARE
SPARE	-	20	29	1	30	20	-	SPARE
SPARE	-	20	31	1	32	20	-	SPARE
SPARE	-	20	33	1	34	20	-	SPARE
SPARE	-	20	35	1	36	20	-	SPARE
SPARE	-	20	37	1	38	20	-	SPARE
SPARE	-	20	39	1	40	20	-	SPARE
SPARE	-	20	41	1	42	20	-	SPARE
LOAD IS EXPRESSED IN AMPS								TOTAL LOAD = 234 AMPS

PANEL BOARD SCHEDULE MP

LOAD SERVED	LOAD A B C	CB	CKT	PHASE A B C	CKT	CB	LOAD A B C	LOAD SERVED
B-1	16	20	3	1	20	16	16	HOT BOX
B-2	11	20	5	1	20	11	11	HOT BOX
RECEPTS - 313	10	20	7	1	20	10	10	HOT BOX
EF-3F	25	35	9	1	10	20	5	HOT BOX
OWH-1	4	15	11	1	12	15	5	DRY WASH
DRYER RM LAUNDRY 329	4	15	13	1	14	20	5	RECIRC PUMP (1hp)
WASHER RM LAUNDRY 329	7	17	15	1	18	20	-	SPARE
SPARE	-	20	21	1	22	20	-	SPARE
SPARE	-	20	23	1	24	20	-	SPARE
SPARE	-	20	25	1	26	20	-	SPARE
SPARE	-	20	27	1	28	20	-	SPARE
SPARE	-	20	29	1	30	20	-	SPARE
SPARE	-	20	31	1	32	20	-	SPARE
SPARE	-	20	33	1	34	20	-	SPARE
SPARE	-	20	35	1	36	20	-	SPARE
SPARE	-	20	37	1	38	20	-	SPARE
SPARE	-	20	39	1	40	20	-	SPARE
SPARE	-	20	41	1	42	20	-	SPARE
LOAD IS EXPRESSED IN AMPS								TOTAL LOAD = 56 AMPS

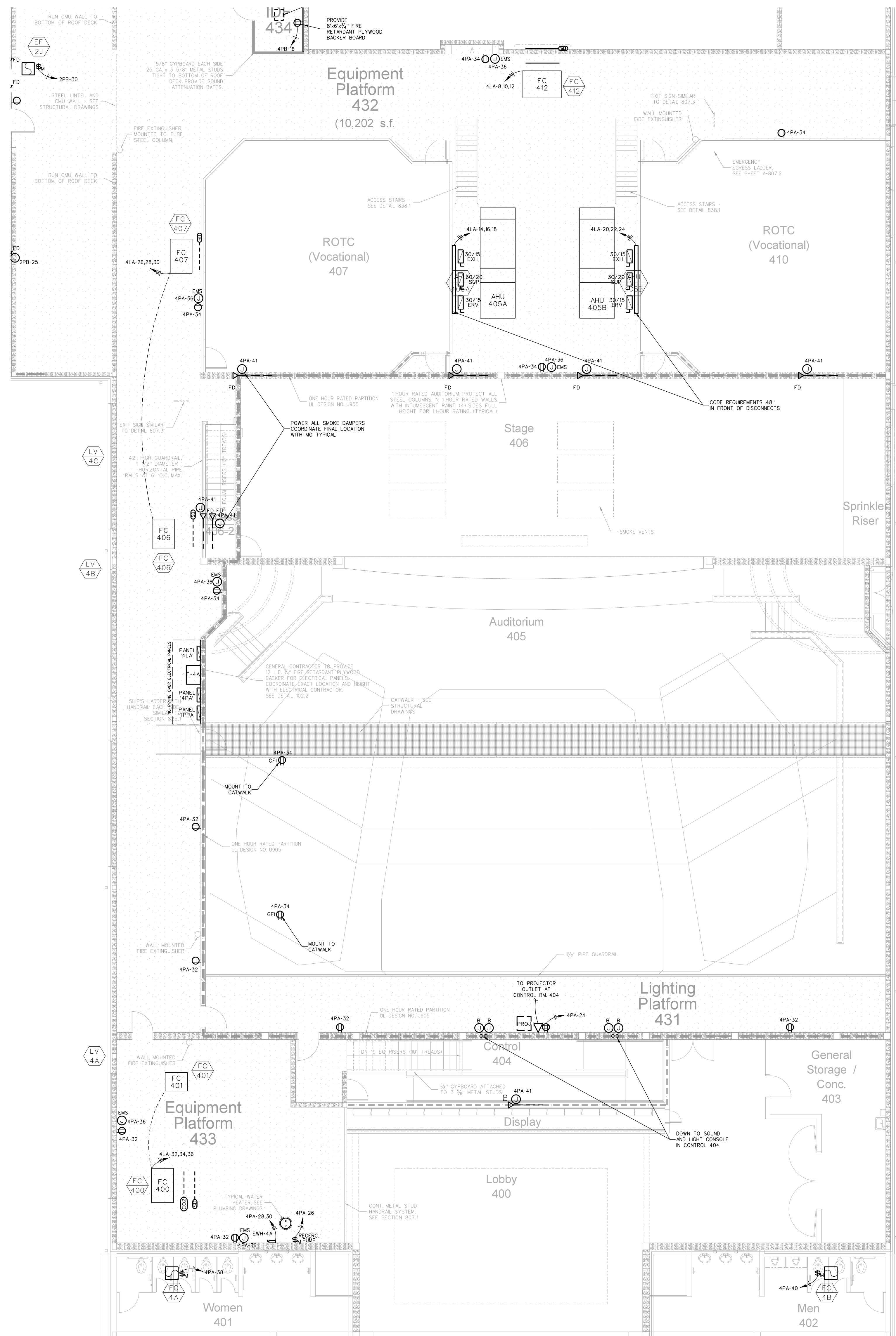
PANEL BOARD SCHEDULE MPZ

LOAD SERVED	LOAD A B C	CB	CKT	PHASE A B C	CKT	CB	LOAD A B C	LOAD SERVED
SERVES RECEPTACLES	6	20	1	1	2	20	10	HEAT TRACE
CHILLER CONTROLS	6	20	3	1	4	20	6	CHILLER CONTROLS
HEAT TRACE	15	20	5	1	6	20	15	HEAT TRACE
HEAT TRACE	15	20	7	1	8	20	-	SPARE
SPARE	-	20	9	1	10	20	-	SPARE
LOAD IS EXPRESSED IN AMPS								TOTAL LOAD = 21 AMPS

Hite associates
ARCHITECTURE / ENGINEERING / TECHNOLOGY
2600 Meridian Drive / Greenville, NC 27834 / Tel: (252) 757-0333

RECORD DRAWING
Bertie High School
Bertie County Schools
716 US 13 North / NCDPS Unit 080 - School 312
Windsor / Bertie County / North Carolina

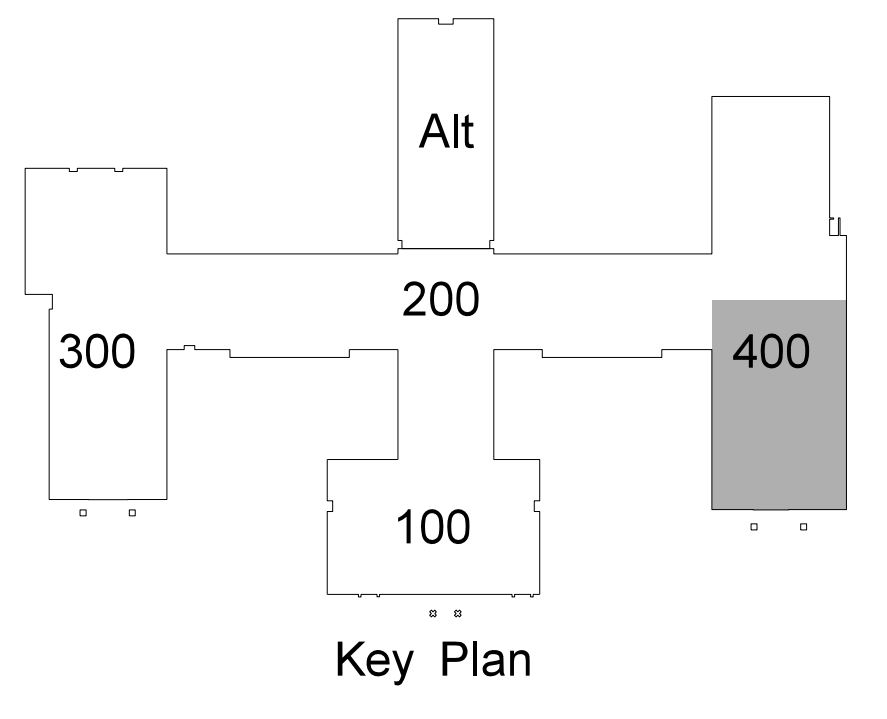
Project No. 21131
Date: 28 March 2012
Drawing No. E 305



ELECTRICAL EQUIPMENT MOUNTING HEIGHTS

DEVICE	MT HEIGHT	TO
PANELBOARDS	6'-6" AFF	TOP
TOGGLE SWITCH (GYBOARD)	4'-0" AFF	TOP
RECEPTACLES (GYBOARD)	7'-6" AFF	⊥
RECEPTACLES (BASE CABINETS)	7'-7" AFC	⊥
VOICE/DATA OUTLETS (GYBOARD)	7'-6" AFF	⊥
FIRE ALARM PULL STATIONS (GYBOARD)	4'-0" AFF	TOP
EMERGENCY LIGHTS	12" BFC	TOP
STROBE/HORN	96" AFF	TOP
REMOTE ANNUNCIATOR PANEL (RAP)	4'-0" AFF	⊥
THERMOSTATS	48" AFF	TOP

1) TYPICAL MOUNTING HEIGHTS ARE LISTED UNLESS NOTED OTHERWISE.
 2) BFC-BELOW FINISHED C.L.C., AFC-ABOVE FINISHED CABINET.
 3) FOR MAX 10'-0" CEILING, HIGHER CEILING MOUNT 9'-0" OR AS DIMENSIONED FROM ARCHITECTURAL ELEVATIONS OR AS DIRECTED BY ENGINEER.
 4) CONTRACTOR SHALL REFERENCE ARCHITECTURAL ELEVATIONS FOR FINAL OUTLET MOUNTING HEIGHT AND LOCATION.

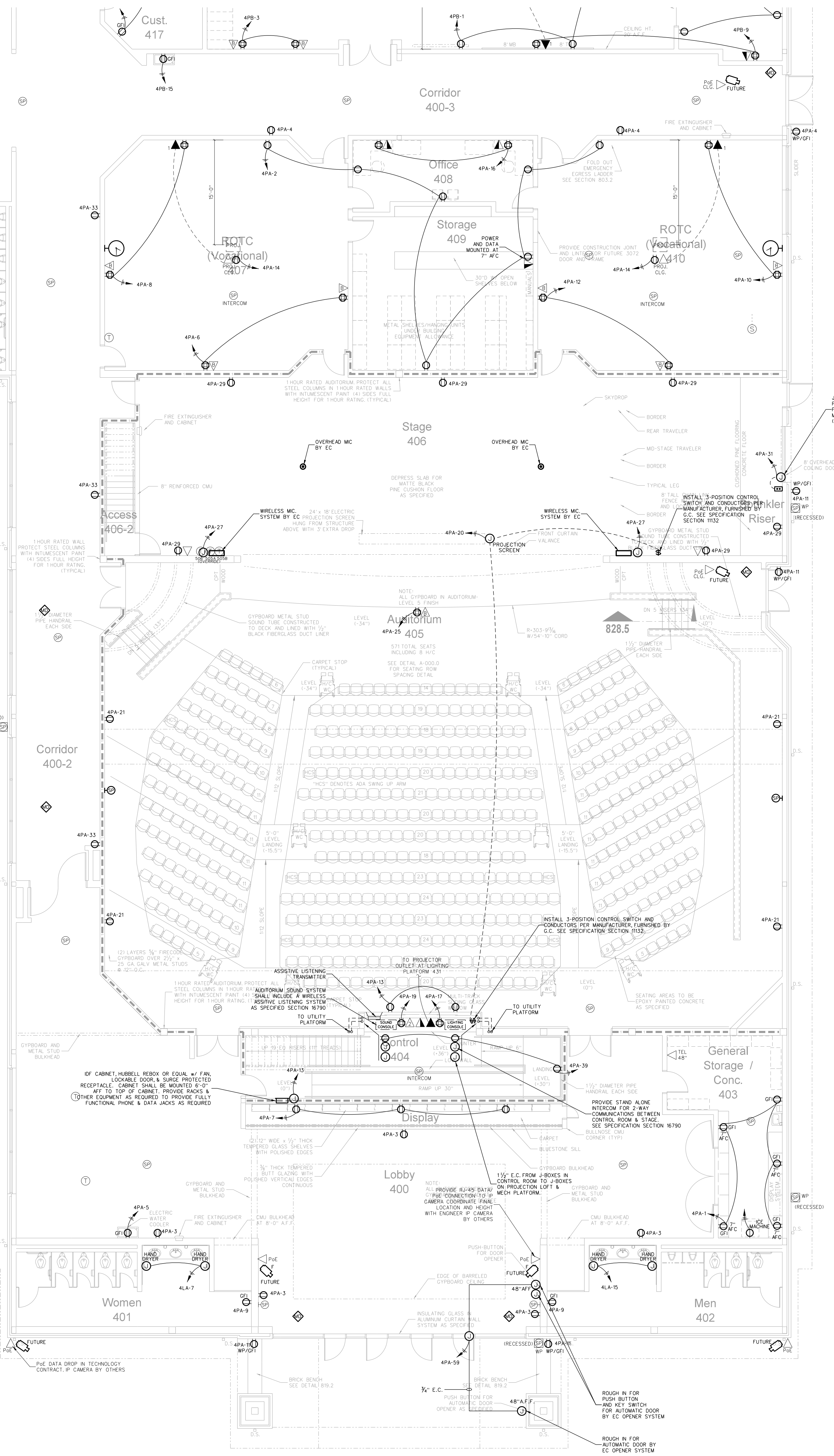


PANEL BOARD SCHEDULE 4PA

LOAD SERVED	LOAD A B C	CB	CKT	PHASE A B C	CKT	LOAD A B C	LOAD SERVED
RECEPT. RM. 403	8	20	1		2	20	RECEPT. RM. 403, 408, 409, 410
RECEPT. RM. LOBBY 400	8	20	3		4	20	RECEPT. CORRIDOR
RECEPT. RM. LOBBY 400 CWC	6	20	5		6	20	RECEPT. RM. 407
HAND DRYER	11	20	7		8	20	RECEPT. RM. 407
RECEPT. RM. 401, 402	3	20	9		10	20	RECEPT. RM. 410
EXTERIOR RECEPT.	6	20	11		12	20	RECEPT. RM. 410
POWER OF CABINET	6	20	13		14	20	RECEPT. RM. 407, 410
RECEPT. RM. 404	5	20	15		16	20	RECEPT. RM. 408
RECEPT. RM. 404	3	20	17		18	20	RECEPT. RM. 214, 215
RECEPT. RM. 404	3	20	19		20	20	AUTOMATIC DOOR OPENER
RECEPT. RM. 405	9	20	21		22	20	RECEPT. RM. 405
PROJECTION SCREEN	9	20	23		24	20	RECEPT. RM. LIGHTING PLATFORM 431
RM. 406 WIRELESS MC. SYSTEM	4	20	25		26	20	1 RECIRCULATION PUMP
RM. 406 WIRELESS MC. SYSTEM	4	20	27		28	20	22 FWH-4A
RECEPT. RM. 406	9	20	29		30	22	3140 & 1100 IN 3/4"
OVERHEAD DOOR	8	20	31		32	20	RECEPT. RM. LIGHTING PLATFORM 431
RECEPT. CORRIDOR	8	20	33		34	20	RECEPT. RM. 432 EQUIP. PLATFORM
ICE MACHINE	12	20	35		36	20	6 EMS
HOT BOX	10	20	39		40	20	SPARE
SMOKE DAMPERS	6	20	41		42	15	7 ET-4B

LOAD IS EXPRESSED IN AMPS
 PROVIDE CIRCUIT BREAKER LOCK
 TOTAL LOAD = 100 AMPS

401.2 THEATER EQUIPMENT PLATFORM POWER PLAN
 SCALE: 1/8" = 1'-0"



401.1 THEATER POWER PLAN
 SCALE: 1/8" = 1'-0"

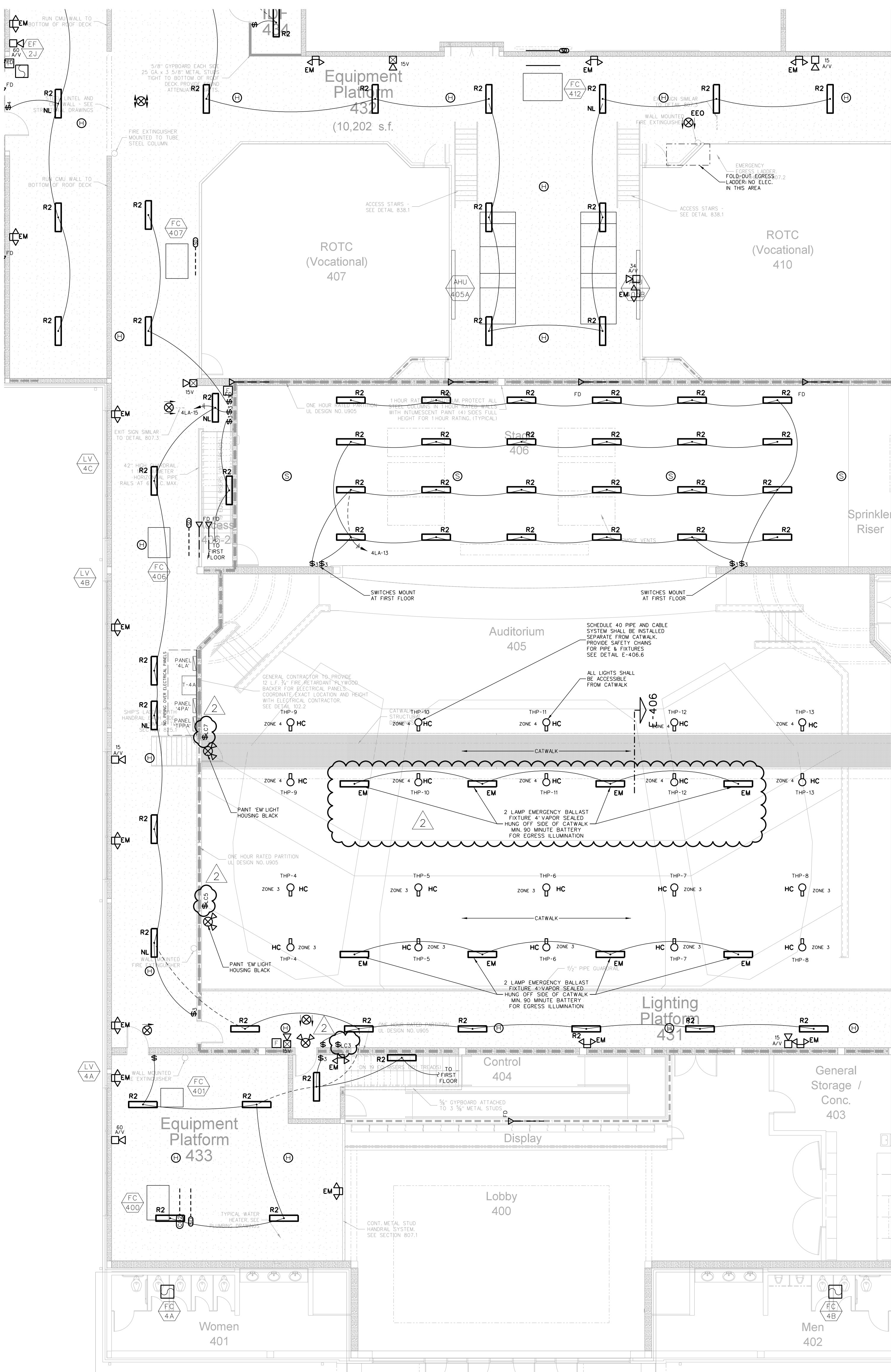
Revision
 No. Date

Hite associates
 ARCHITECTURE / ENGINEERING / TECHNOLOGY
 2600 Meridian Drive / Greenville, NC 27834 / tel (252) 757-0333

REGISTERED PROFESSIONAL ENGINEER
 STATE OF NORTH CAROLINA
 NUMBER 418
 EXPIRES 12/31/2015

RECORD DRAWING
New Bertie High School
 Bertie County Schools
 716 US 13 North / NCDPS Unit 080 - School 312
 Windsor / Bertie County / North Carolina

Project No. 21131
 Date: 28 March 2012
 Drawing no. **E 401**



ELECTRICAL EQUIPMENT MOUNTING HEIGHTS

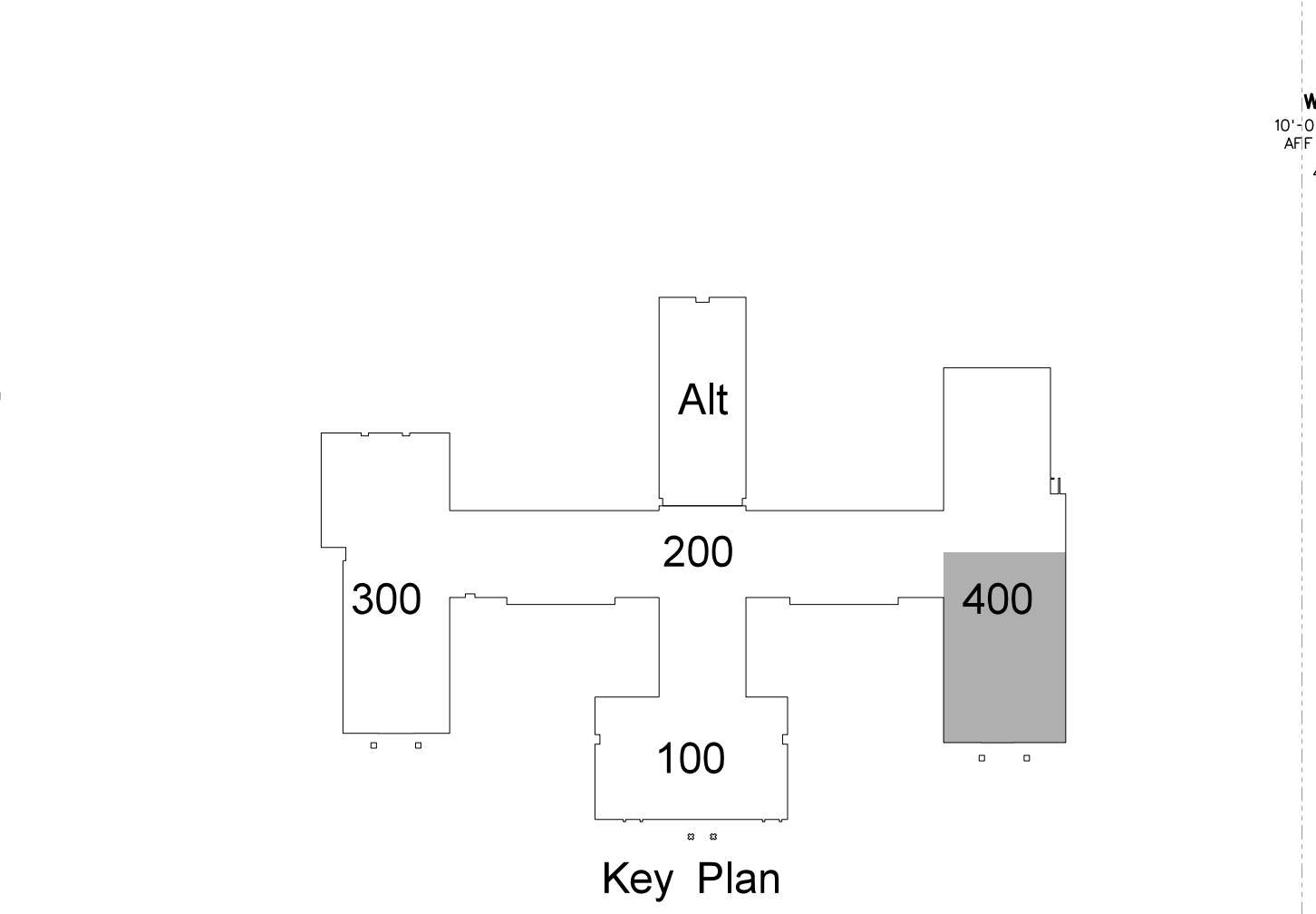
DEVICE	MT HEIGHT	TO
PANELBOARDS	6'-6" AFF	TOP
TOGGLE SWITCH (GYRBOARD)	4'-0" AFF	TOP
RECEPTACLES (GYRBOARD)	1'-6" AFF	℄
RECEPTACLES (BASE CABINETS)	1'-7" AFF	℄
VOICE/DATA OUTLETS (GYRBOARD)	1'-6" AFF	℄
FIRE ALARM PULL STATIONS (GYRBOARD)	4'-0" AFF	TOP
EMERGENCY LIGHTS	12'-0" BFC	TOP
STROBE/HORN/S	9'-6" AFF	TOP
REMOTE ANNUNCIATOR PANEL (RAP)	4'-0" AFF	℄
THERMOSTATS	4'-8" AFF	TOP

1) TYPICAL MOUNTING HEIGHTS ARE LISTED UNLESS NOTED OTHERWISE
 2) 6'-0" BELOW FINISHED C.C., 4'-0" ABOVE FINISHED CABINET
 3) FOR MAX 10'-0" CEILING, HIGHER CEILING MOUNT 9'-0" OR AS DIMENSIONED FROM ARCHITECTURAL ELEVATIONS OR AS DIRECTED BY ENGINEER
 4) CONTRACTOR SHALL REFERENCE ARCHITECTURAL ELEVATIONS FOR FINAL OUTLET MOUNTING HEIGHT AND LOCATION

PANEL BOARD SCHEDULE 4LA 250 AMP MLO 65,000 A.I.C. FED FROM SERVICE 480/277V 3PH, 4W

LOAD SERVED	LOAD A/B/C	CB	CKT	PHASE A/B/C	CKT	CB	LOAD A/B/C	LOAD SERVED
LTC. RM 401 CORRIDOR	8	20	1		2	20		HAND DRYER
LTC. LOBBY 400, 404	8	20	3		4	20		HAND DRYER
LTC. RM 402, 403	6	20	5		6	20		SPARE
LTC. RM 244, 245	3	20	9		10	20		HP-500 3/4" x 1/2" x 3/4"
EXTERIOR LIGHTS	5	20	11		12	20		SPARE
LTC. RM STAGE 406	8	20	13		14	19		AHU-405A 3/4" x 1/2" x 3/4"
LTC. RM 432, 433 EQUIP. PLATFORM	5	20	15		16	30		AHU-405B 3/4" x 1/2" x 3/4"
LTC. RM 407, 408, 410	12	20	17		18	19		FC-406, FC-407 3/4" x 1/2" x 3/4"
SPARE	-	20	19		20	19		FC-406, FC-401 3/4" x 1/2" x 3/4"
PARKING LOT LIGHTS	6	20	21		22	30		XMR 1-4A 3/4" x 1/2" x 3/4"
PARKING LOT LIGHTS	6	20	23		24	30		SPARE
SPACE	-	20	25		26	2		SPACE
SPACE	-	20	27		28	20		SPACE
SPACE	-	20	29		30	30		SPACE
SPACE	-	20	31		32	2		SPACE
SPACE	-	20	33		34	20		SPACE
SPACE	-	20	35		36	2		SPACE
SPACE	-	20	37		38	103		SPACE
SPACE	-	20	39		40	175		SPACE
SPACE	-	20	41		42	103		SPACE

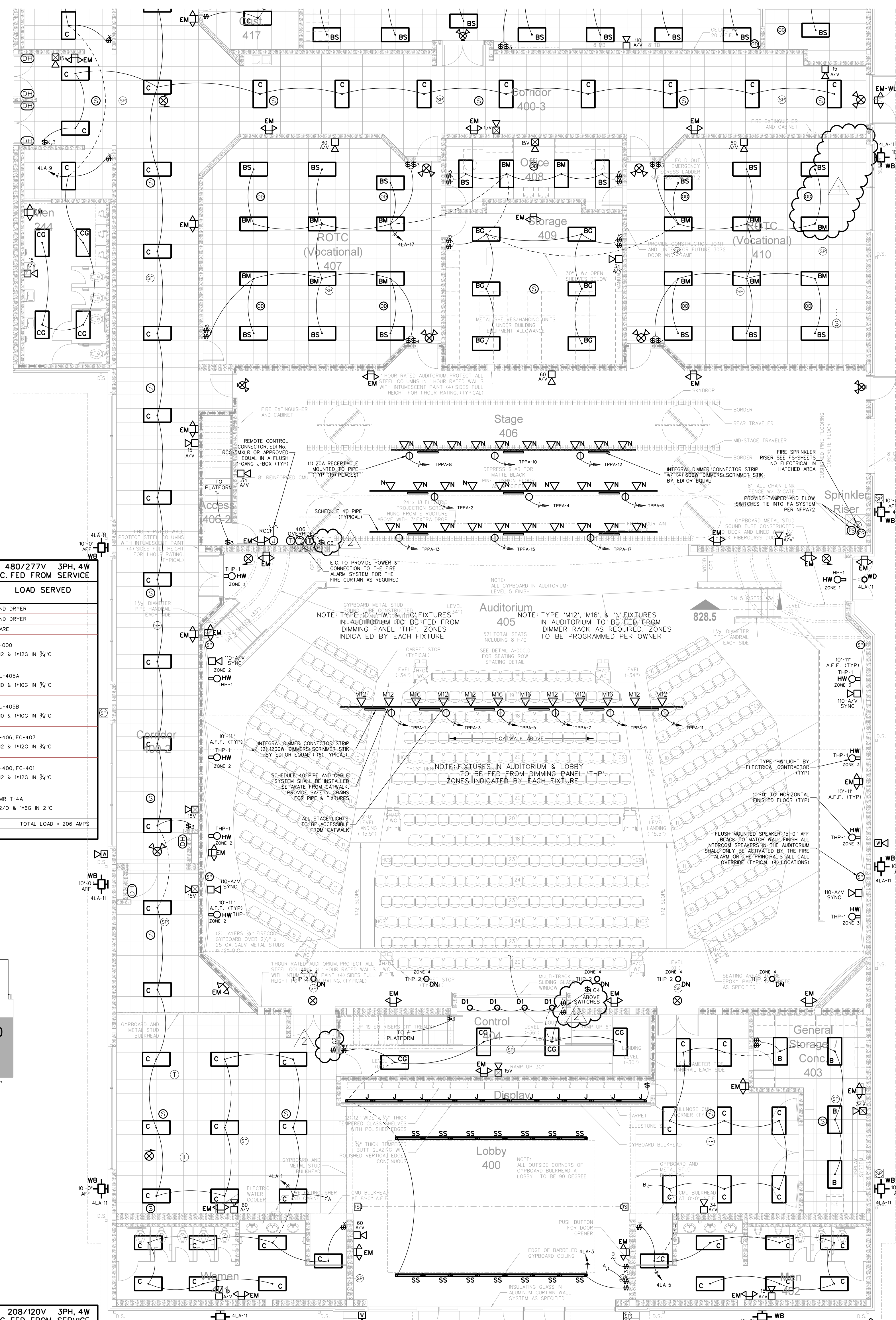
LOAD IS EXPRESSED IN AMPS
 PROVIDE CIRCUIT BREAKER LOCK
 TOTAL LOAD = 206 AMPS



PANEL BOARD SCHEDULE TPAA 100 AMP MB 10,000 A.I.C. FED FROM SERVICE 208/120V 3PH, 4W

LOAD SERVED	LOAD A/B/C	CB	CKT	PHASE A/B/C	CKT	CB	LOAD A/B/C	LOAD SERVED
STAGE LIGHTS	11	20	1		2	11		STAGE LIGHTS
STAGE LIGHTS	11	20	3		4	20		STAGE LIGHTS
STAGE LIGHTS	11	20	7		8	20		STAGE LIGHTS
STAGE LIGHTS	11	20	9		10	20		STAGE LIGHTS
STAGE LIGHTS	11	20	11		12	20		STAGE LIGHTS
STAGE LIGHTS	11	20	13		14	20		STAGE LIGHTS
STAGE LIGHTS	11	20	15		16	20		STAGE LIGHTS
STAGE LIGHTS	11	20	17		18	20		STAGE LIGHTS
STAGE LIGHTS	11	20	19		20	20		STAGE LIGHTS
SPARE	-	20	21		22	20		SPARE
SPARE	-	20	23		24	20		SPARE
SPARE	-	20	25		26	20		SPARE
SPARE	-	20	27		28	20		SPARE
SPARE	-	20	29		30	20		SPARE
SPARE	-	20	31		32	70		DIMMING PANEL THP
SPACE	-	20	33		34	150		69
SPACE	-	20	35		36	36		71
SPACE	-	20	37		38	-		SPACE
SPACE	-	20	39		40	40		SPACE
SPACE	-	20	41		42	-		SPACE

LOAD IS EXPRESSED IN AMPS
 PROVIDE CIRCUIT BREAKER LOCK
 TOTAL LOAD = 137 AMPS



402.1 THEATER LIGHTING / FIRE ALARM PLAN
 SCALE: 1/8" = 1'-0"

402.2 THEATER EQUIPMENT PLATFORM LIGHTING / FIRE ALARM PLAN
 SCALE: 1/8" = 1'-0"

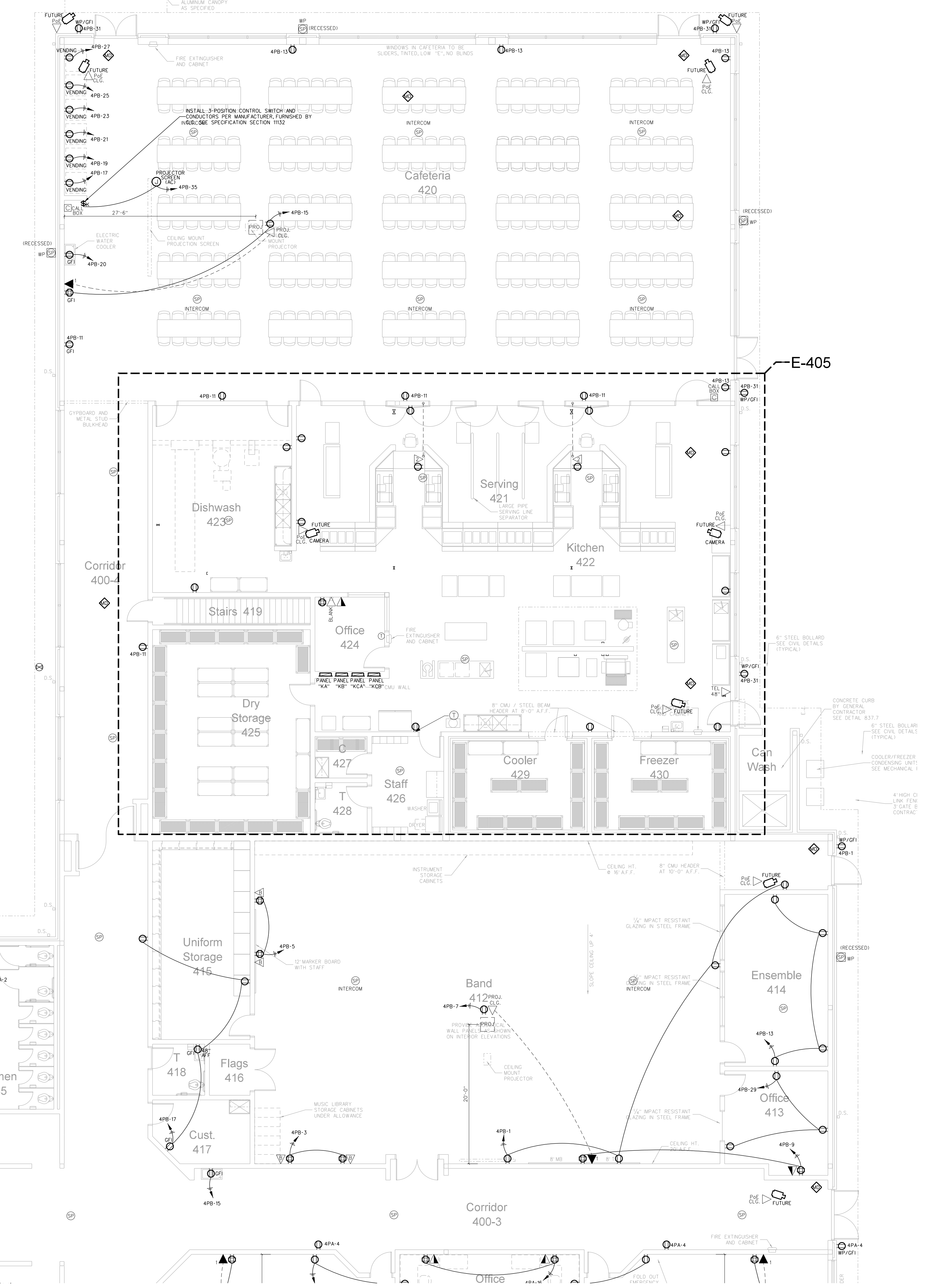
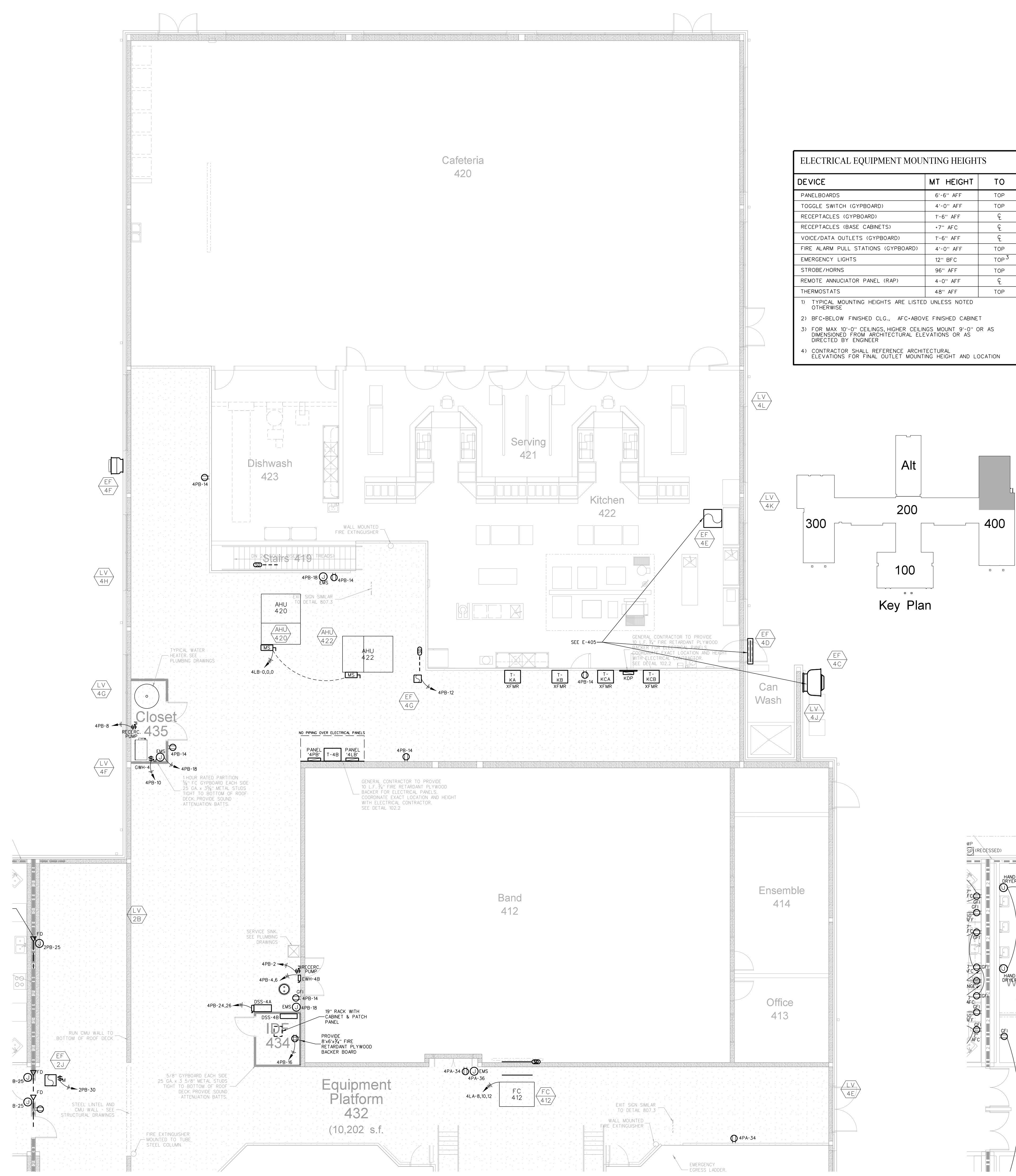
Hite associates
 ARCHITECTURE / ENGINEERING / TECHNOLOGY
 2600 Meridian Drive / Greenville, NC 27834 / Tel: (252) 757-0333

Project No. 21131
 Date: 28 March 2012
 Drawing No. E 402

RECORD DRAWING
 Bertie County Schools
 716 US 13 North / NCDPS Unit 080 - School 312
 Windsor / Bertie County / North Carolina

LOAD SERVED	150 AMP			208/120V 3PH, 4W		
	LOAD A B C	CB	CKT	LOAD A B C	CB	CKT
RECEPT. RM. 412	8 20 1	1	1	20 1	1	RECYCLATION PUMP
RECEPT. RM. 412	6 20 3	3	3	30 22	22	EWH-4B
RECEPT. RM. 412	6 20 5	5	5	30 22	22	3"Ø & 1"Ø IN 3/4" C
RECEPT. RM. 412	5 20 7	7	7	30 20	1	RECYCLATION PUMP
RECEPT. RM. 412, 413	6 20 9	9	9	30 20	7	CWH-4
RECEPT. RM. 420	5 20 11	11	11	12 20	6	EF-4G
RECEPT. RM. 420	8 20 13	13	13	14 20	9	RECEPT. RM. 432 EQUIP. PLATFORM
RECEPT. RM. 420	10 20 15	15	15	16 20	3	FMS
RECEPT. RM. 420 VENDING	16 20 17	17	17	18 20	3	FMS
RECEPT. RM. 420 VENDING	16 20 19	19	19	20 20	6	EWC
RECEPT. RM. 420 VENDING	16 20 21	21	21	22 20	-	SPARE
RECEPT. RM. 420 VENDING	16 20 23	23	23	24 20	17	DSS-4A/4B
RECEPT. RM. 420 VENDING	16 20 25	25	25	26 20	17	3"Ø & 1"Ø IN 3/4" C
RECEPT. RM. 420 VENDING	16 20 27	27	27	28 20	-	SPARE
RECEPT. RM. 415	5 20 29	29	29	30 20	-	SPARE
EXTERIOR RECEPT.	6 20 31	31	31	32	-	SPACE
PROJECTOR SCREEN	6 20 33	33	33	34	-	SPACE
SPARE	- 20 35	35	35	36	-	SPACE
SPARE	- 20 37	37	37	38	-	SPACE
SPACE	- 20 39	39	39	40	-	SPACE
SPACE	- 20 41	41	41	42	-	SPACE
TOTAL LOAD = 96 AMPS						

1. LOAD IS EXPRESSED IN AMPS
2. PROVIDE CIRCUIT BREAKER LOCK



403.2 BAND/CAFETERIA / KITCHEN EQUIPMENT PLATFORM POWER PLAN
SCALE: 1/8" = 1'-0"

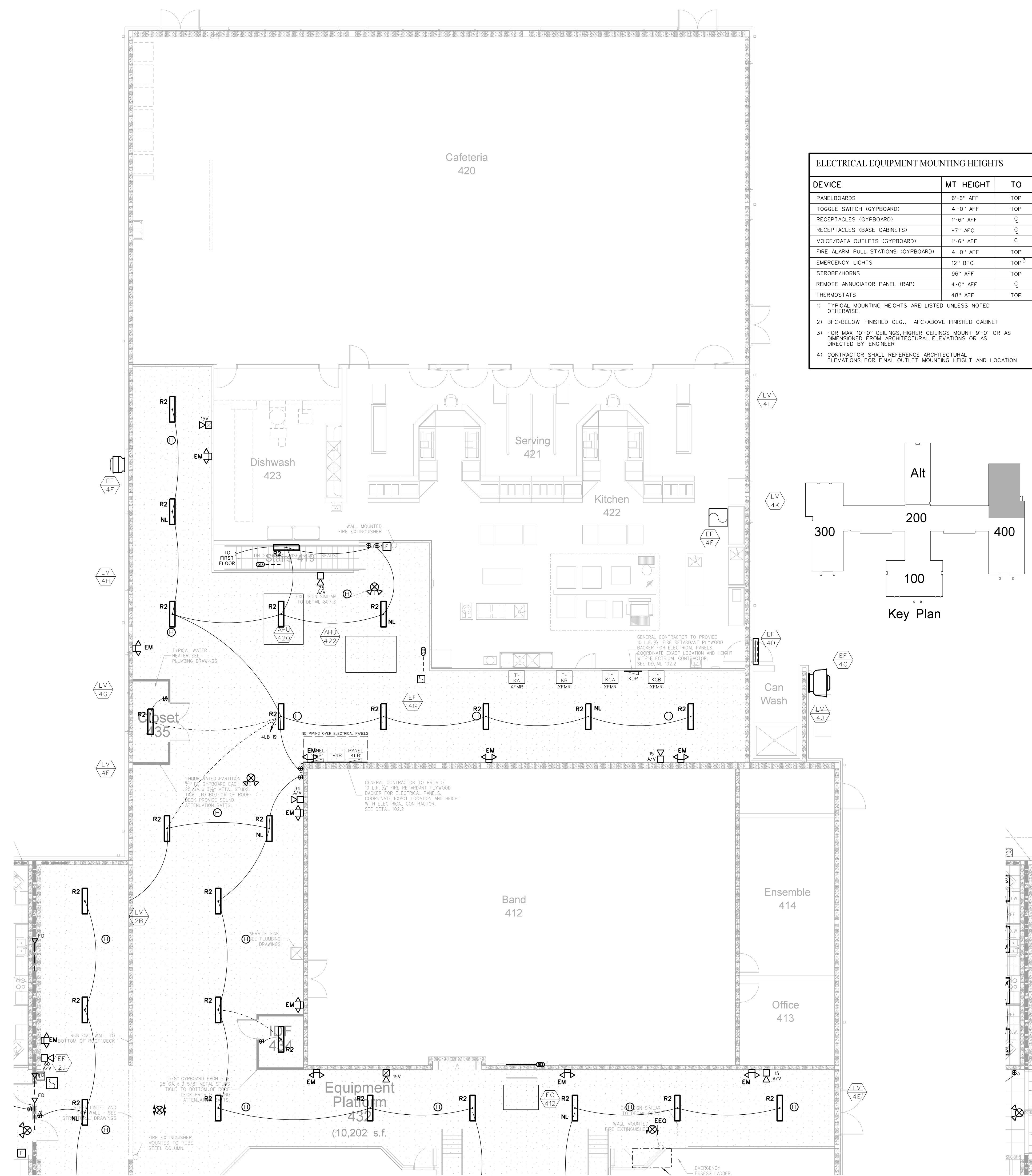
403.1 BAND/CAFETERIA / KITCHEN POWER PLAN
SCALE: 1/8" = 1'-0"

Hite associates
 ARCHITECTURE / ENGINEERING / TECHNOLOGY
 2600 Meridian Drive / Greenville, NC 27834 / tel (252) 757-0333

RECORD DRAWING
Bertie High School
 Bertie County Schools
 716 US 13 North / NCDPS Unit 080 - School 312
 Windsor / Bertie County / North Carolina

Project No: 21131
 Date: 28 March 2012
 Drawing No: **E 403**

PANEL BOARD SCHEDULE 4LB				100 AMP MLO 65,000 A.I.C. FED FROM SERVICE				480/277V 3PH, 4W			
LOAD SERVED	LOAD A B C	CB	CKT	PHASE A B C	CKT A B C	LOAD A B C	LOAD SERVED	LOAD A B C	CKT A B C	LOAD SERVED	
LTC. RM. 412	12	20	1			2	20	6		PARKING LOT LIGHTS	
LTC. RM. 413,414,415,416,417,418	5	20	3			4	20	6		PARKING LOT LIGHTS	
LTC. RM. 423, CORRIDOR	4	20	5			6	20	6		PARKING LOT LIGHTS	
LTC. RM. 403,403A,404,427,428	6	20	7			8	20	6		SPARE	
LTC. RM. 421,422	12	20	9			10	20	6		SPARE	
LTC. RM. 421,422	12	20	11			12	20	6		SPARE	
LTC. RM. 420	11	20	13			14	20	6		SPARE	
LTC. RM. 420	3	20	15			16	20	6		SPARE	
EXTERIOR LIGHTS	3	20	17			18	20	6		SPARE	
LTC. RM. 432 EQUIPMENT PLATFORM	8	20	19			20	20	6		SPARE	
SPARE	-	20	21			22	20	6		SPARE	
SPARE	-	20	23			24	20	6		SPARE	
SPARE	-	20	25			26	20	6		SPARE	
SPARE	-	20	27			28	20	6		SPARE	
SPARE	-	20	29			30	20	6		SPARE	
SPARE	-	20	31			32	20	6		SPARE	
SPARE	-	20	33			34	20	6		SPARE	
SPARE	-	20	35			36	20	6		SPARE	
SPARE	-	20	37			38	20	6		SPARE	
SPARE	-	20	39			40	20	6		SPARE	
SPARE	-	20	41			42	20	6		SPARE	
TOTAL LOAD = 113 AMPS											



ELECTRICAL EQUIPMENT MOUNTING HEIGHTS		
DEVICE	MT HEIGHT	TO
PANELBOARDS	6'-0" AFF	TOP
TOGGLE SWITCH (GYBOARD)	4'-0" AFF	TOP
RECEPTACLES (BASE CABINETS)	1'-0" AFF	CL
RECEPTACLES (BASE CABINETS)	-7" AFC	CL
VOICE/DATA OUTLETS (GYBOARD)	1'-0" AFF	CL
FIRE ALARM PULL STATIONS (GYBOARD)	4'-0" AFF	TOP
EMERGENCY LIGHTS	12" BFC	TOP ³
STROBE/HORNS	96" AFF	TOP
REMOTE ANNUNCIATOR PANEL (RAP)	4'-0" AFF	CL
THERMOSTATS	48" AFF	TOP

1) TYPICAL MOUNTING HEIGHTS ARE LISTED UNLESS NOTED OTHERWISE
 2) BFC=BELOW FINISHED CLG., AFC=ABOVE FINISHED CABINET
 3) FOR MAX 10'-0" CEILINGS, HIGHER CEILINGS MOUNT 9'-0" OR AS DIMENSIONED FROM ARCHITECTURAL ELEVATIONS OR AS DIRECTED BY ENGINEER
 4) CONTRACTOR SHALL REFERENCE ARCHITECTURAL ELEVATIONS FOR FINN. OUTLET MOUNTING HEIGHT AND LOCATION



404.2 BAND/ CAFETERIA / KITCHEN EQUIPMENT PLATFORM LIGHTING / FIRE ALARM PLAN
SCALE: 1/8" = 1'-0"

404.1 BAND/ CAFETERIA / KITCHEN LIGHTING / FIRE ALARM PLAN
SCALE: 1/8" = 1'-0"

Hite associates
 ARCHITECTURE / ENGINEERING / TECHNOLOGY
 2600 Meridian Drive / Greenville, NC 27834 / tel (252) 757-0333

RECORD DRAWING
 Bertie County Schools
 716 US 13 North / NCDPS Unit 080 - School 312
 Windsor / Bertie County / North Carolina

Project No. 21131
 Date: 28 March 2012
 Drawing No. E 404

PANEL BOARD SCHEDULE KC WITH SHUNT TRIP 200 AMP MB 10,000 A.I.C. FED FROM SERVICE 208/120V 3PH, 4W

LOAD SERVED	LOAD A B C	CB	PKT	PHASE A B C	PKT	LOAD A B C	LOAD SERVED
CONVECTION STEAMER	2 20 1				2 20 3		HOOD CONTROL
CONVECTION STEAMER	2 20 3				4 20 3		SPARE
FRYER WITH DUMP	8 20 5				6 20 3		SPARE
TILT KETTLE	58 7 3				8 20 3		SPARE
3/4 & 1/2 IN 1 1/2"C	58 80 9				10 20 3		SPARE
DOUBLE CONVECTION OVEN	9 20 11				12 20 3		SPARE
SPARE	9 20 13				14 20 3		SPARE
DOUBLE CONVECTION OVEN	9 20 15				16 20 3		SPARE
DOUBLE CONVECTION OVEN	9 20 17				18 20 3		SPARE
BREADING PAN	3 20 19				20 20 3		SPARE
RANGE	24 30 21				22 20 3		SPACE
3/4" & 1/2" IN 3/4"C	24 30 23				24 20 3		SPACE
SPARE	20 25 25				26 20 3		SPACE
SPARE	20 27 27				28 20 3		SPACE
SPARE	20 29 29				30 20 3		SPACE

LOAD IS EXPRESSED IN AMPS
SHUNT TRIP TRIP TO ANGUS SYSTEM
TOTAL LOAD = 93 AMPS

PANEL BOARD SCHEDULE KB 400 AMP MB 10,000 A.I.C. FED FROM SERVICE 208/120V 3PH, 4W

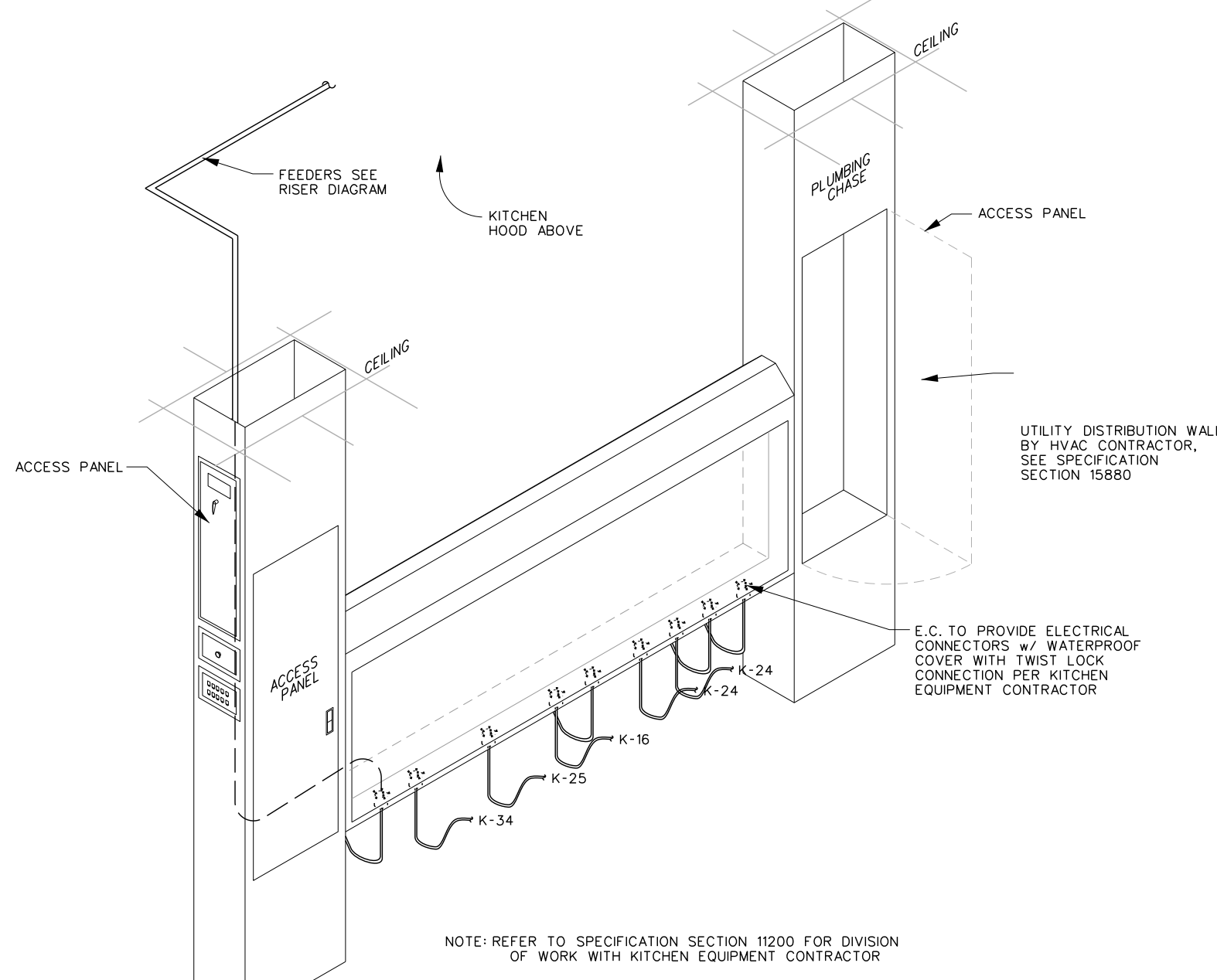
LOAD SERVED	LOAD A B C	CB	PKT	PHASE A B C	PKT	LOAD A B C	LOAD SERVED
DRYER RW 426	22 20 1				2 20 7		MIXER
3/4" & 1/2" IN 3/4"C	22 20 3				4 20 7		3/4" & 1/2" IN 3/4"C
WASHER RW 426	8 20 5				6 20 7		ICE MACHINE
VERTICAL CUTTER MIXER	30 7 9				8 20 7		3/4" & 1/2" IN 3/4"C
3/4" & 1/2" IN 3/4"C	30 15 9				10 20 7		SPARE
REFRIGERATED CABT	10 20 11				12 20 7		8 SLICER
REFRIGERATED CABT	10 20 13				14 20 7		DISPOSAL
HEATED CABT	10 20 15				16 20 7		3/4" & 1/2" IN 3/4"C
HEATED CABT	16 20 17				18 20 7		REACH-IN REFRIG.
HEATED CABT	16 20 19				20 20 7		REACH-IN REFRIG.
HEATED CABT	16 20 21				22 20 7		PULPING SYSTEM
KITCHEN FAN	7 20 23				24 20 7		3/4" & 1/2" IN 3/4"C
FLY FAN	10 20 25				26 20 7		DISHWASHER
HOOD CONTROL	3 20 27				28 20 7		3/4" & 1/2" IN 3/4"C
RECEPT. RW 427,428	3 20 29				30 20 7		3/4" & 1/2" IN 3/4"C
HEATED CABT	16 20 33				34 20 7		RECEPT. RW DISHWASH 423, KITCHEN
HEATED CABT	16 20 35				36 20 7		5 RECEPT. RW DISHWASH 423, KITCHEN
HEATED CABT	16 20 37				38 20 7		SPARE
HEATED CABT	16 20 39				40 20 7		SPARE
SPARE	20 41				42 20 7		SPARE

LOAD IS EXPRESSED IN AMPS
TOTAL LOAD = 222 AMPS
PROVIDE CIRCUIT BREAKER LOCK

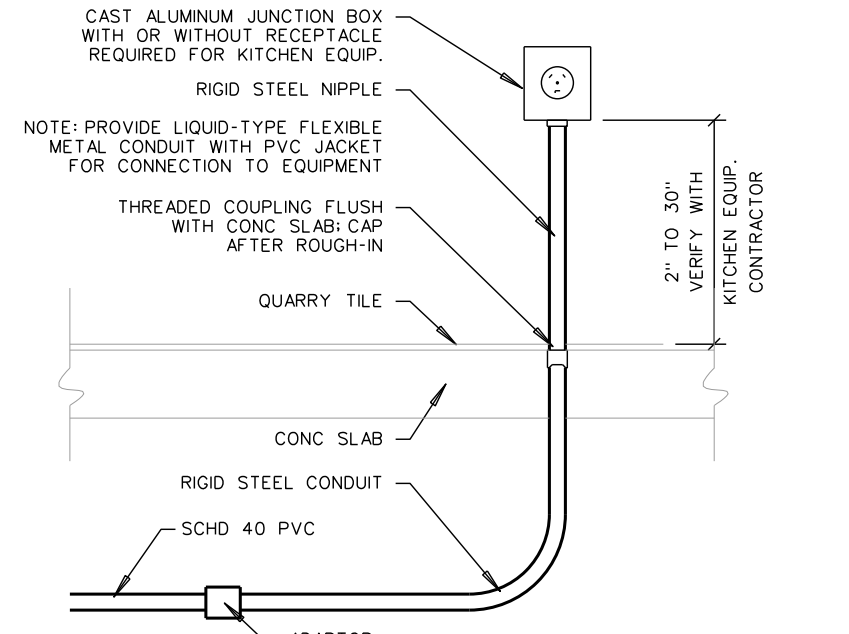
PANEL BOARD SCHEDULE KA 200 AMP MB 10,000 A.I.C. FED FROM SERVICE 208/120V 3PH, 4W

LOAD SERVED	LOAD A B C	CB	PKT	PHASE A B C	PKT	LOAD A B C	LOAD SERVED
WALK-IN COOLER	10 20 1				2 20 8		COLD FOOD TABLE
3/4" & 1/2" IN 3/4"C	10 20 3				4 20 8		COLD FOOD TABLE
WALK-IN FREEZER	10 20 5				6 20 8		COLD FOOD TABLE
3/4" & 1/2" IN 3/4"C	10 20 7				8 20 8		COLD FOOD TABLE
WALK-IN FREEZER	10 20 9				10 20 7		MLK COOLER
3/4" & 1/2" IN 3/4"C	10 20 11				12 20 7		MLK COOLER
COOLER CONDENSING UNIT	10 20 13				14 20 7		MLK COOLER
3/4" & 1/2" IN 3/4"C	10 20 15				16 20 7		MLK COOLER
FREEZER CONDENSING UNIT	20 20 17				18 20 15		BEVERAGE TABLE
3/4" & 1/2" IN 3/4"C	20 20 19				20 20 15		BEVERAGE TABLE
FREEZER CONDENSING UNIT	20 20 21				22 20 3		CASHER TABLE
3/4" & 1/2" IN 3/4"C	20 20 23				24 20 3		CASHER TABLE
WALK-IN COOLER (LIGHTS/HEAT)	8 20 25				26 20 3		COUNTERTOP WITH POWER
WALK-IN FREEZER (LIGHTS/HEAT)	8 20 27				28 20 3		COUNTERTOP WITH POWER
BEVERAGE TABLE	15 20 29				30 20 9		RECEPT. RW SERVING
BEVERAGE TABLE	15 20 31				32 20 10		HOT FOOD TABLE
HOT FOOD TABLE	10 20 33				34 20 10		3/4" & 1/2" IN 3/4"C
3/4" & 1/2" IN 3/4"C	10 20 35				36 20 10		HOT FOOD TABLE
HOT FOOD TABLE	10 20 37				38 20 10		3/4" & 1/2" IN 3/4"C
3/4" & 1/2" IN 3/4"C	10 20 39				40 20 10		SPARE
SPARE	20 41				42 20 10		SPARE

LOAD IS EXPRESSED IN AMPS
TOTAL LOAD = 144 AMPS
PROVIDE CIRCUIT BREAKER LOCK



405.2 UTILITY DISTRIBUTION WALL DETAIL
SCALE: none

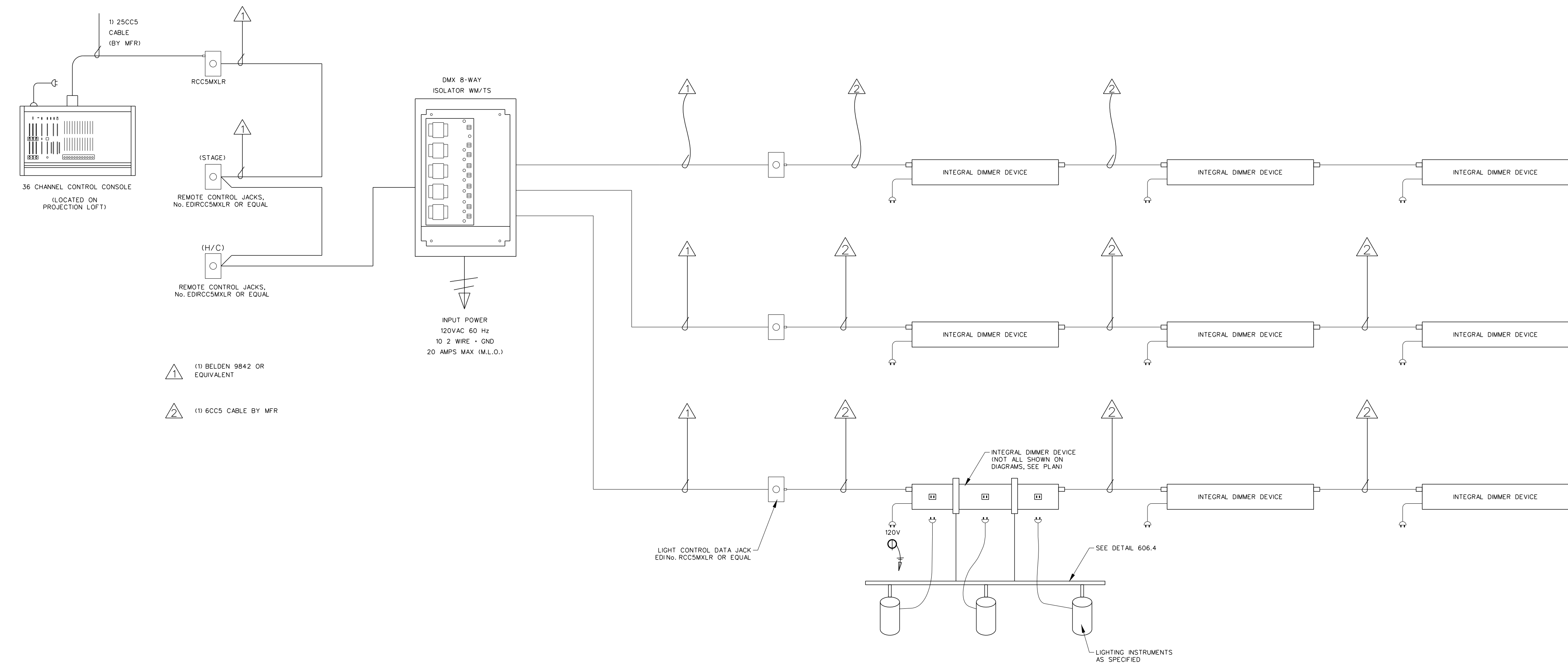


405.4 ISLAND RECEPTACLE DETAIL
SCALE: NONE

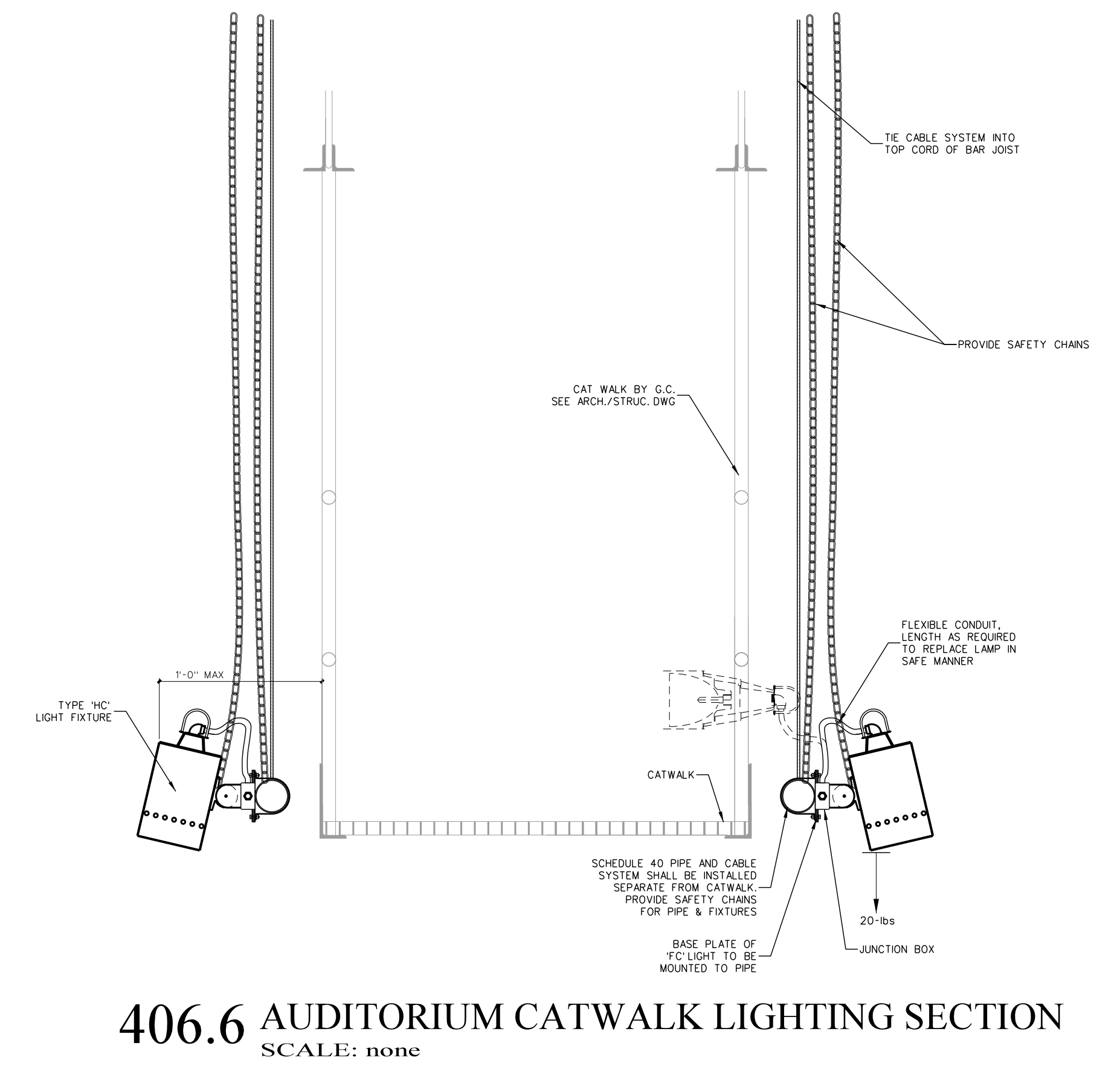
PLAN 507 NOTES:
(1) COORDINATE ALL ROUGH-INS WITH KITCHEN CONTRACTOR PRIOR TO CONSTRUCTION. REFER TO KITCHEN EQUIPMENT DWG. K-101 FOR SCHEDULE AND EQUIP. NUMBERS.
(2) KITCHEN EQUIPMENT SUB-CONTRACTOR SHALL BE RESPONSIBLE FOR ALL FINAL ELECTRICAL CONNECTIONS SUPPLIED UNDER KITCHEN EQUIPMENT CONTRACT AS SPECIFIED SECTION 1200-6.7.

KITCHEN EQUIPMENT SCHEDULE

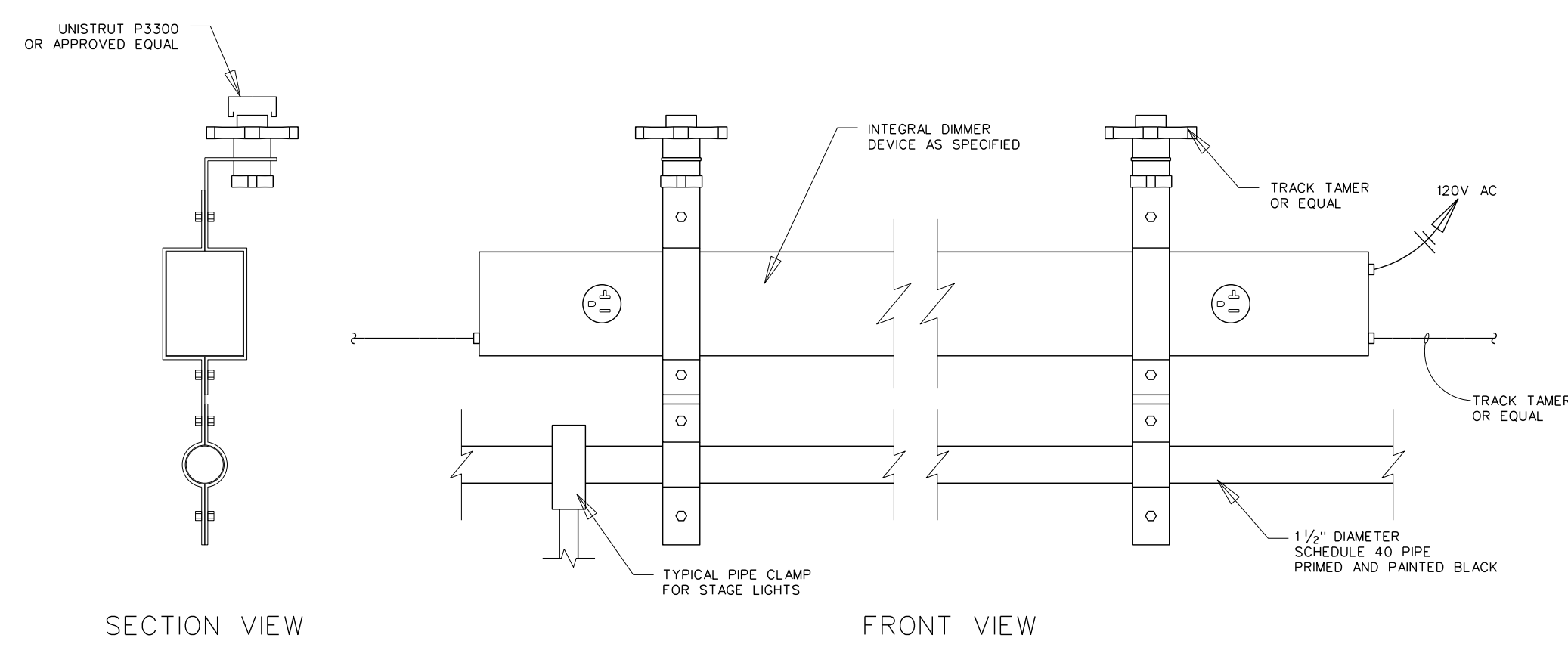
MARK	DESCRIPTION	MFR / MODEL	SIZE	ELECTRICAL	PLUMBING	GAS	REMARKS
K-1	WALK-IN COOLER	KVA BROWN	8'0" x 12'0" x 8'0" @ 8'0" @ 8'0"	208 3	1/2" DIA	0	F CONDENSATE TO SINK DRAIN
K-2	WALK-IN FREEZER	KVA BROWN	8'0" x 12'0" x 8'0" @ 8'0" @ 8'0"	208 3	1/2" DIA	0	F CONDENSATE TO SINK DRAIN
K-3	ICE DISPENSER	FRIGIDARE CLASSIC	18" x 22" x 28" @ 18" x 1"	120 1	1/4" DIA	0	NO CONDENSATE TO SINK DRAIN
K-4	WALK-IN FREEZER	FRIGIDARE CLASSIC	18" x 22" x 28" @ 18" x 1"	120 1	1/4" DIA	0	NO CONDENSATE TO SINK DRAIN
K-5	TRAY AND SILVER CABT	COLORBOND CHAMBERS	36" x 24" x 48"	120 1	1/4" DIA	0	
K-6	HOT FOOD TABLE	COLORBOND CHAMBERS	36" x 30" x 30"	120 1	1/4" DIA	0	
K-7	COLD FOOD TABLE	COLORBOND CHAMBERS	36" x 30" x 30"	120 1	1/4" DIA	0	
K-8	WALK-IN FREEZER	COLORBOND CHAMBERS	36" x 30" x 30"	120 1	1/4" DIA	0	
K-9	BEVERAGE TABLE	COLORBOND CHAMBERS	36" x 30" x 30"	120 1	1/4" DIA	0	
K-10	SINK TOP REGULAR TABLE	COLORBOND CHAMBERS	36" x 30" x 30"	120 1	1/4" DIA	0	
K-11	BEVERAGE TABLE	COLORBOND CHAMBERS	36" x 30" x 30"	120 1	1/4" DIA	0	
K-12	BEVERAGE TABLE	COLORBOND CHAMBERS	36" x 30" x 30"	120 1	1/4" DIA	0	
K-13	BEVERAGE TABLE	COLORBOND CHAMBERS	36" x 30" x 30"	120 1	1/4" DIA	0	
K-14	BEVERAGE TABLE	COLORBOND CHAMBERS	36" x 30" x 30"	120 1	1/4" DIA	0	
K-15	BEVERAGE TABLE	COLORBOND CHAMBERS	36" x 30" x 30"	120 1	1/4" DIA	0	
K-16	BEVERAGE TABLE	COLORBOND CHAMBERS	36" x 30" x 30"	120 1	1/4" DIA	0	
K-17	BEVERAGE TABLE	COLORBOND CHAMBERS	36" x 30" x 30"	120 1	1/4" DIA	0	
K-18	BEVERAGE TABLE	COLORBOND CHAMBERS	36" x 30" x 30"	120 1	1/4" DIA	0	
K-19	BEVERAGE TABLE	COLORBOND CHAMBERS	36" x 30" x 30"	120 1	1/4" DIA	0	
K-20	BEVERAGE TABLE	COLORBOND CHAMBERS	36" x 30" x 30"	120 1	1/4" DIA	0	
K-21	BEVERAGE TABLE	COLORBOND CHAMBERS	36" x 30" x 30"	120 1	1/4" DIA	0	
K-22	BEVERAGE TABLE	COLORBOND CHAMBERS	36" x 30" x 30"	120 1	1/4" DIA	0	
K-23	BEVERAGE TABLE	COLORBOND CHAMBERS	36" x 30" x 30"	120 1	1/4" DIA	0	
K-24	BEVERAGE TABLE	COLORBOND CHAMBERS	36" x 30" x 30"	120 1	1/4" DIA	0	
K-25	BEVERAGE TABLE	COLORBOND CHAMBERS	36" x 30" x 30"	120 1	1/4" DIA	0	
K-26	BEVERAGE TABLE	COLORBOND CHAMBERS	36" x 30" x 30"	120 1	1/4" DIA	0	
K-27	BEVERAGE TABLE	COLORBOND CHAMBERS	36" x 30" x 30"	120 1	1/4" DIA	0	
K-28	BEVERAGE TABLE	COLORBOND CHAMBERS	36" x 30" x 30"	120 1	1/4" DIA	0	
K-29	BEVERAGE TABLE	COLORBOND CHAMBERS	36" x 30" x 30"	120 1	1/4" DIA	0	
K-30	BEVERAGE TABLE	COLORBOND CHAMBERS	36" x 30" x 30"	120 1	1/4" DIA	0	
K-31	BEVERAGE TABLE	COLORBOND CHAMBERS	36" x 30" x 30"	120 1	1/4" DIA	0	
K-32	BEVERAGE TABLE	COLORBOND CHAMBERS	36" x 30" x 30"	120 1	1/4" DIA	0	
K-33	BEVERAGE TABLE	COLORBOND CHAMBERS	36" x 30" x 30"	120 1	1/4" DIA	0	
K-34	BEVERAGE TABLE	COLORBOND CHAMBERS	36" x 30" x 30"	120 1	1/4" DIA	0	
K-35	BEVERAGE TABLE	COLORBOND CHAMBERS	36" x 30" x 30"	120 1	1/4" DIA	0	
K-36	BEVERAGE TABLE	COLORBOND CHAMBERS	36" x 30" x 30"	120 1	1/4" DIA	0	
K-37	BEVERAGE TABLE	COLORBOND CHAMBERS	36" x 30" x 30"	120 1	1/4" DIA	0	
K-38	BEVERAGE TABLE	COLORBOND CHAMBERS	36" x 30" x 30"	120 1	1/4" DIA	0	
K-39	BEVERAGE TABLE	COLORBOND CHAMBERS	36" x 30" x 30"	120 1	1/4" DIA	0	
K-40	BEVERAGE TABLE	COLORBOND CHAMBERS	36" x 30" x 30"	120 1	1/4" DIA	0	
K-41	BEVERAGE TABLE	COLORBOND CHAMBERS	36" x 30" x 30"	120 1	1/4" DIA	0	
K-42	BEVERAGE TABLE	COLORBOND CHAMBERS	36" x 30" x 30"	120 1	1/4" DIA	0	
K-43	BEVERAGE TABLE	COLORBOND CHAMBERS	36" x 30" x 30"	120 1	1/4" DIA	0	
K-44	BEVERAGE TABLE	COLORBOND CHAMBERS	36" x 30" x 30"	120 1	1/4" DIA	0	
K-45	BEVERAGE TABLE	COLORBOND CHAMBERS	36" x 30" x 30"	120 1	1/4" DIA	0	
K-46	BEVERAGE TABLE	COLORBOND CHAMBERS	36" x 30" x 30"	120 1	1/4" DIA	0	
K-47	BEVERAGE TABLE	COLORBOND CHAMBERS	36" x 30" x 30"	120 1	1/4" DIA	0	
K-48	BEVERAGE TABLE	COLORBOND CHAMBERS	36" x 30" x 30"	120 1	1/4" DIA	0	
K-49	BEVERAGE TABLE	COLORBOND CHAMBERS	36" x 30" x 30"	120 1	1/4" DIA	0	
K-50	BEVERAGE TABLE	COLORBOND CHAMBERS	36" x 30" x 30"	120 1	1/4" DIA	0	
K-51	BEVERAGE TABLE	COLORBOND CHAMBERS	36" x 30" x 30"	120 1	1/4" DIA	0	
K-52	BEVERAGE TABLE	COLORBOND CHAMBERS	36" x 30" x 30"	120 1	1/4" DIA	0	
K-53	BEVERAGE TABLE	COLORBOND CHAMBERS	36" x 30" x 30"	120 1	1/4" DIA	0	
K-54	BEVERAGE TABLE	COLORBOND CHAMBERS	36" x 30" x 30"	120 1	1/4" DIA	0	
K-55	BEVERAGE TABLE	COLORBOND CHAMBERS	36" x 30" x 30"	120 1	1/4" DIA	0	
K-56	BEVERAGE TABLE	COLORBOND CHAMBERS	36" x 30" x 30"	120 1	1/4" DIA	0	
K-57	BEVERAGE TABLE	COLORBOND CHAMBERS	36" x 30" x 30"	120 1	1/4" DIA	0	
K-58	BEVERAGE TABLE	COLORBOND CHAMBERS	36" x 30" x 30"	120 1	1/4" DIA	0	
K-59	BEVERAGE TABLE	COLORBOND CHAMBERS	36" x 30" x 30"	120 1	1/4" DIA	0	
K-60	BEVERAGE TABLE	COLORBOND CHAMBERS	36" x 30" x 30"	120 1	1/4" DIA	0	
K-61	BEVERAGE TABLE	COLORBOND CHAMBERS	36" x 30" x 30"	120 1	1/4" DIA	0	
K-62	BEVERAGE TABLE	COLORBOND CHAMBERS	36" x 30" x 30"	120 1	1/4" DIA	0	
K-63	BEVERAGE TABLE	COLORBOND CHAMBERS	36" x 30" x 30"	120 1	1/4" DIA	0	
K-64	BEVERAGE TABLE	COLORBOND CHAMBERS	36" x 30" x 30"	120 1	1/4" DIA	0	
K-65	BEVERAGE TABLE	COLORBOND CHAMBERS	36" x 30" x 30"	120 1	1/4" DIA	0	
K-66	BEVERAGE TABLE	COLORBOND CHAMBERS	36" x 30" x 30"	120 1	1/4" DIA	0	
K-67	BEVERAGE TABLE	COLORBOND CHAMBERS	36" x 30" x 30"	120 1	1/4" DIA	0	
K-68	BEVERAGE TABLE	COLORBOND CHAMBERS	36" x 30" x 30"	120 1	1/4" DIA	0	
K-69	BEVERAGE TABLE	COLORBOND CHAMBERS	36" x 30" x 30"	120 1	1/4" DIA	0	
K-70	BEVERAGE TABLE	COLORBOND CHAMBERS	36" x 30" x 30"	120 1	1/4" DIA	0	
K-71	BEVERAGE TABLE	COLORBOND CHAMBERS	36" x 30" x 30"	120 1	1/4" DIA	0	
K-72	BEVERAGE TABLE	COLORBOND CHAMBERS	36" x 30" x 30"	120 1	1/4" DIA	0	
K-73	BEVERAGE TABLE	COLORBOND CHAMBERS	36" x 30" x 30"	120 1	1/4" DIA	0	
K-74	BEVERAGE TABLE	COLORBOND CHAMBERS	36" x 30" x 30"	120 1	1/4" DIA	0	
K-75	BEVERAGE TABLE	COLORBOND CHAMBERS	36" x 30" x 30"	120 1	1/4" DIA	0	
K-76	BEVERAGE TABLE	COLORBOND CHAMBERS	36" x 30" x 30"	120 1	1/4" DIA	0	
K-77	BEVERAGE TABLE	COLORBOND CHAMBERS	36" x 30" x 30"	120 1	1/4" DIA	0	
K-78	BEVERAGE TABLE	COLORBOND CHAMBERS	36" x 30" x 30"	120 1	1/4" DIA	0	
K-79	BEVERAGE TABLE	COLORBOND CHAMBERS	36" x 30" x 30"	120 1	1/4" DIA	0	
K-80	BEVERAGE TABLE	COLORBOND CHAMBERS	36" x 30" x 30"	120 1	1/4" DIA	0	
K-81	BEVERAGE TABLE	COLORBOND CHAMBERS	36" x 30" x 30"	120 1	1/4" DIA	0	
K-82	BEVERAGE TABLE	COLORBOND CHAMBERS	36" x 30" x 30"	120 1	1/4" DIA	0	
K-83	BEVERAGE TABLE	COLORBOND CHAMBERS	36" x 30" x 30"	120 1	1/4" DIA	0	
K-84	BEVERAGE TABLE	COLORBOND CHAMBERS	36" x 30" x 30"	120 1	1/4" DIA	0	
K-85	BEVERAGE TABLE	COLORBOND CHAMBERS	36" x 30" x 30"	120 1	1/4" DIA	0	
K-86	BEVERAGE TABLE	COLORBOND CHAMBERS	36" x 30" x 30"	120 1	1/4" DIA	0	
K-87	BEVERAGE TABLE	COLORBOND CHAMBERS	36" x 30" x 30"	120 1	1/4" DIA	0	
K-88	BEVERAGE TABLE	COLORBOND CHAMBERS	36" x 30" x 30"	120 1	1/4" DIA	0	
K-89	BEVERAGE TABLE	COLORBOND CHAMBERS	36" x 30" x 30"	120 1			



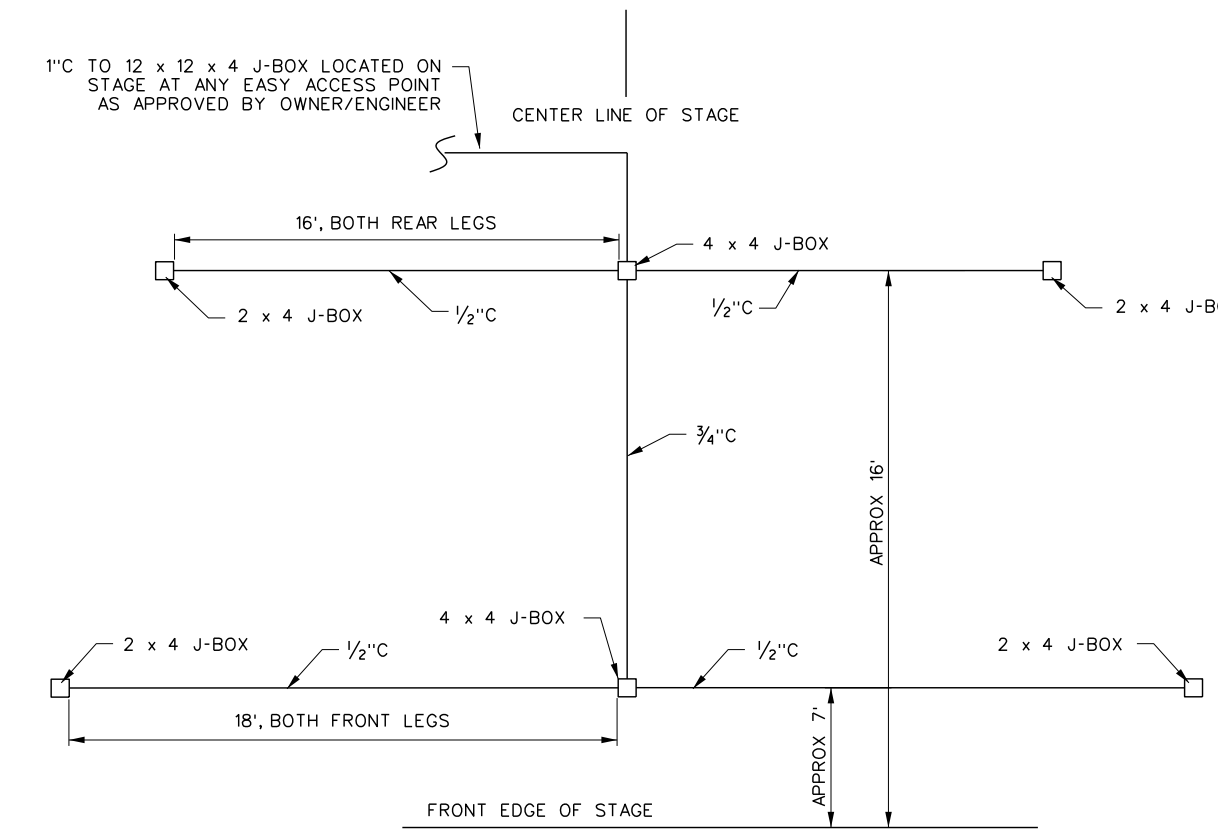
406.5 STAGE LIGHTING ONE LINE RISER DIAGRAM
SCALE: none



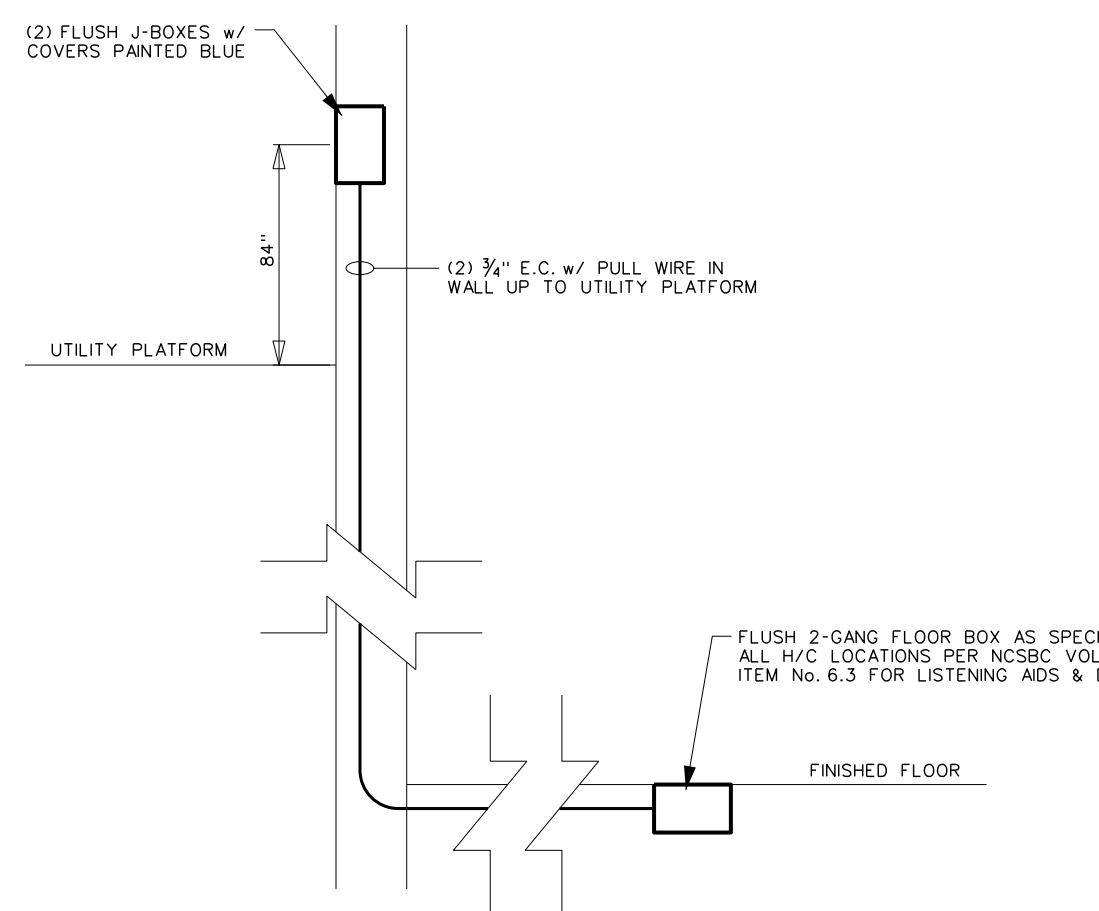
406.6 AUDITORIUM CATWALK LIGHTING SECTION
SCALE: none



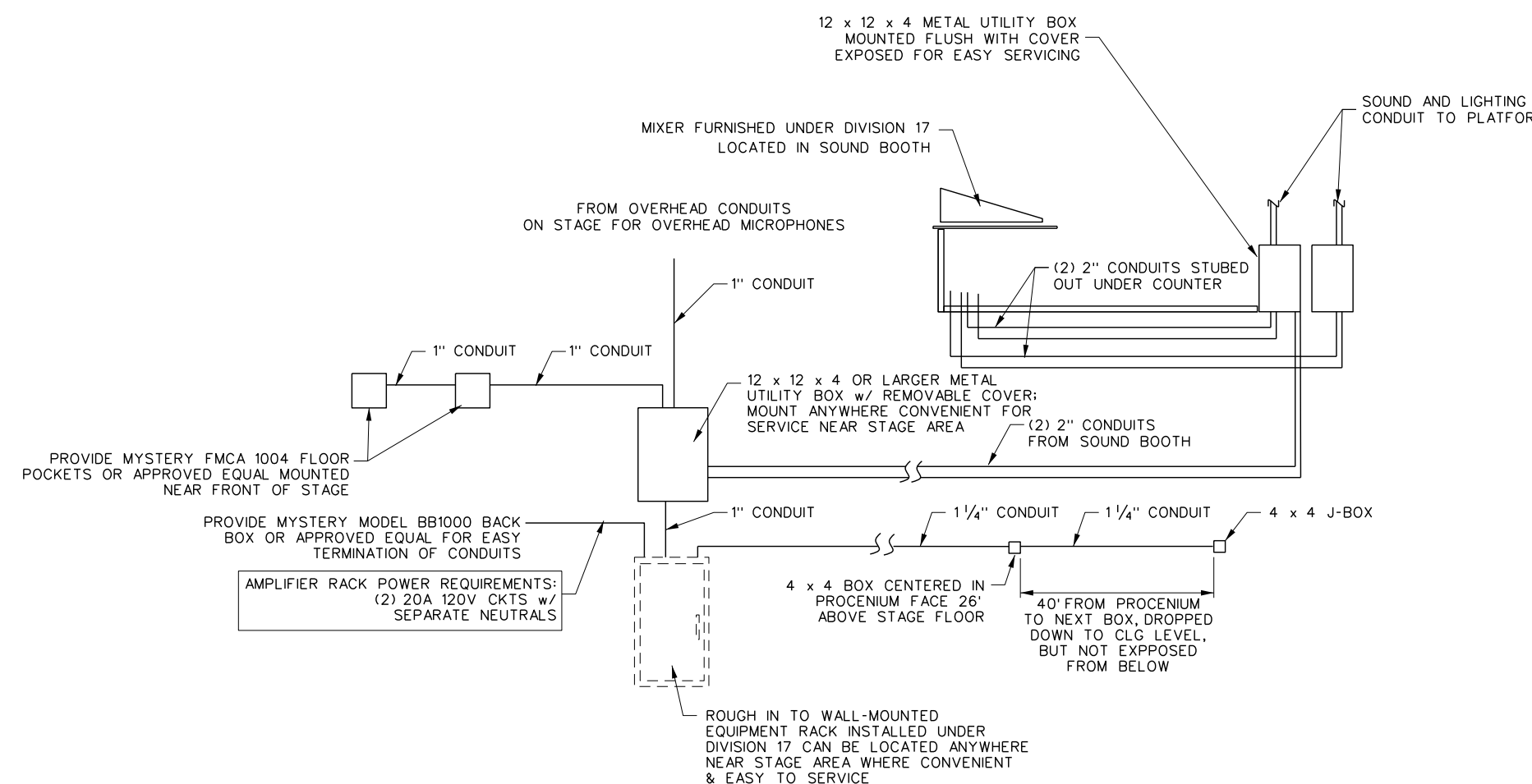
406.4 SCRIMMER STIK DETAIL
SCALE: none



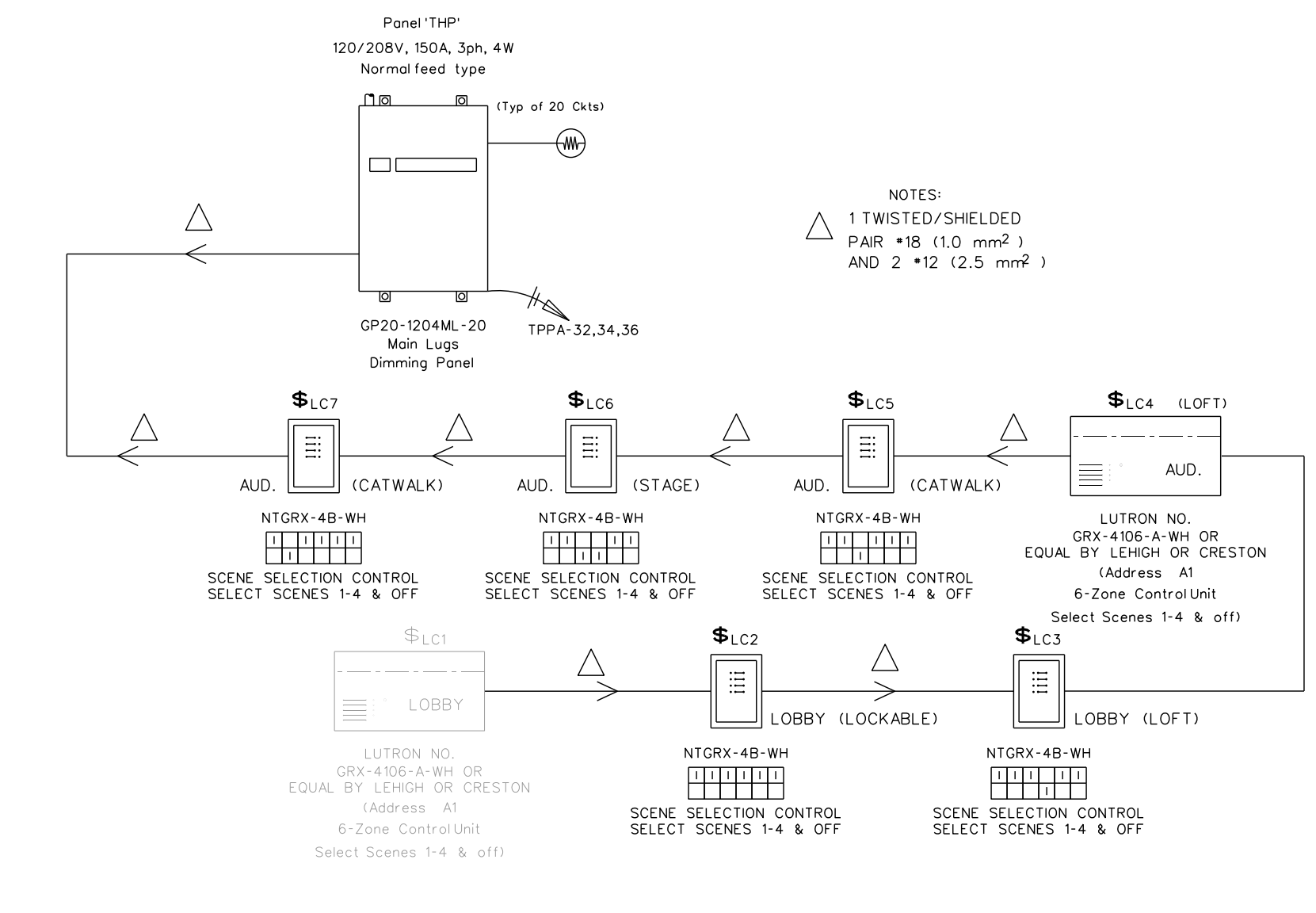
406.2 STAGE MICROPHONES ROUGH-IN PLAN
SCALE: none



406.7 H/C LISTENING AID DETAIL
SCALE: none



406.1 AUDITORIUM SOUND SYSTEM RISER DIAGRAM
SCALE: none



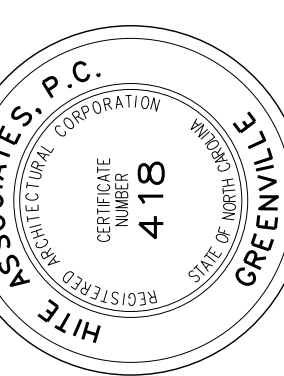
406.3 AUDITORIUM/LOBBY AREA LTG RISER
SCALE: none

STAGE, SEATING, & LOBBY LIGHT FIXTURE SCHEDULE						
TYPE	DESCRIPTION	LAMPS	VOLTS	WATTS	B.F.	CATALOG NUMBER
HC	HIGH EFFICIENCY BRACKET MOUNTED DOWN LIGHT w/ HEAVY GAUGE ONE PIECE SPUN ALUMINUM CYLINDER, HEAVY DUTY TYPE 3035 IMP-CAN SCREW BASE. INTERIOR SURFACES BAKED HIGH TEMPERATURE BLACK. EXTERIOR FINISH BAKED BLACK ENAMEL. PROVIDE ADJUSTABLE CAST ALUMINUM ARM AND 3" SERVICE LOOP FOR RELAMPING FROM CATWALK.	500W QUARTZ T-4	120	500	1.0	FRAMERSON No. 80-40-050-12 OR EQUAL BY KURT VERNON OR EDSON-PRICE
HW	9" ROUND WALL BRACKET MOUNT INCANDESCENT DOWNLIGHT w/ SEAMLESS ROD ALUMINUM HOODING, ACRYLIC ENAMELED FINISH THAT EXCEEDS 1000 HOUR ACTIVITY TEST WITH A UL MET LOCATION LISTING AND 3 YEAR WARRANTY AS STANDARD. COLOR TO BE CHOSEN BY ARCHITECT. PROVIDE SELF-FLANGED TRIM.	1-250W QUARTZ PROSTED T-4	120	250	1.0	KIRLN No. RR3021-W8 OR EQUAL BY KURT VERNON OR EDSON-PRICE
DN	RECESSED TUNGSTEN HALOGEN DOWNLIGHT w/ SPECULAR ALUMINUM REFLECTION, TUNGSTEN PROMAGLASS LENS & ACRYLIC ENAMELED TOP ALUMINUM HOODING THAT EXCEEDS 1000 HOUR ASTM SV SALT SPRAY TEST WITH A UL MET LOCATION LISTING AND 3 YEAR WARRANTY.	1-250W QUARTZ PROSTED T-4	120	250	1.0	KIRLN No. RR3021-W8 OR EQUAL BY KURT VERNON OR EDSON-PRICE
M9	ELLIPSOIDAL SPOT LIGHT w/ 640 FOCAL LENGTH, MEDIUM TWO PIN SOCKET, ALUMINUM REFLECTOR, ALL WELDED STEEL BODY, CAST ALUMINUM LAMP HOUSING, FOUR STAINLESS STEEL SHUTTERS, & C-CLAMPS SIZED FOR SCHEDULE 40 PIPE.	1-750W TUNGSTEN HALOGEN	120	750	1.0	LIGHTING & ELECTRONICS, INC. No. A061-08 OR EQUIVALENT BY ALTMAN OR EDSON-PRICE
M12	ELLIPSOIDAL SPOT LIGHT w/ 642 FOCAL LENGTH, MEDIUM TWO PIN SOCKET, ALUMINUM REFLECTOR, ALL WELDED STEEL BODY, CAST ALUMINUM LAMP HOUSING, FOUR STAINLESS STEEL SHUTTERS, & C-CLAMPS SIZED FOR SCHEDULE 40 PIPE.	1-750W TUNGSTEN HALOGEN	120	750	1.0	LIGHTING & ELECTRONICS, INC. No. A061-12 OR EQUIVALENT BY ALTMAN OR EDSON-PRICE
M16	ELLIPSOIDAL SPOT LIGHT w/ 646 FOCAL LENGTH, MEDIUM TWO PIN SOCKET, ALUMINUM REFLECTOR, ALL WELDED STEEL BODY, CAST ALUMINUM LAMP HOUSING, FOUR STAINLESS STEEL SHUTTERS, & C-CLAMPS SIZED FOR SCHEDULE 40 PIPE.	1-750W TUNGSTEN HALOGEN	120	750	1.0	LIGHTING & ELECTRONICS, INC. No. A061-16 OR EQUIVALENT BY ALTMAN OR EDSON-PRICE
N	PAR38 SPOTLIGHT/DOORLIGHT LUMINAIRE w/ SHEET STEEL CONSTRUCTION, 5 POSITION DIMMER, FLAT STEEL YOKE, 4-WAY BARN DOOR, PIPE CLAMP FOR 1/2" PIPE, POSTAL w/ 5/8" DR PLUG, & SAFETY CABLE w/ SPRING CLIP.	300W PAR38	120	300	1.0	ALTMAN No. P4818-510-5C-6-80-4 OR EQUIVALENT BY STRAND OR LIGHTING & ELECTRONICS, INC.

NOTES:
1) REFERENCE SPECIFICATION SECTION 6500
2) PROVIDE COMPLETE SUBMITTAL PACKAGE FOR PRE-BID APPROVAL AS SPECIFIED IN "INSTRUCTIONS TO BIDDERS" ARTICLE 3.1.2
3) WATTS - MOUNT WATTS; B.F. - BALLAST FACTOR
4) ALL INTERIOR LAMPS TO HAVE A COLOR RENDERING TEMPERATURE INDEX OF 3500K SYLVANIA "DAYLIGHT"

No.	Date	Revision

Hite associates
ARCHITECTURE / ENGINEERING / TECHNOLOGY
2600 Meridian Drive / Greenville, NC 27834 / tel (252) 757-0333



RECORD DRAWING

Record New Bertie High School
Bertie County Schools
716 US 13 North / NCDPS Unit 080 - School 312
Windsor / Bertie County / North Carolina

Project No. 21131

Date: 28 March 2012

Drawing no.

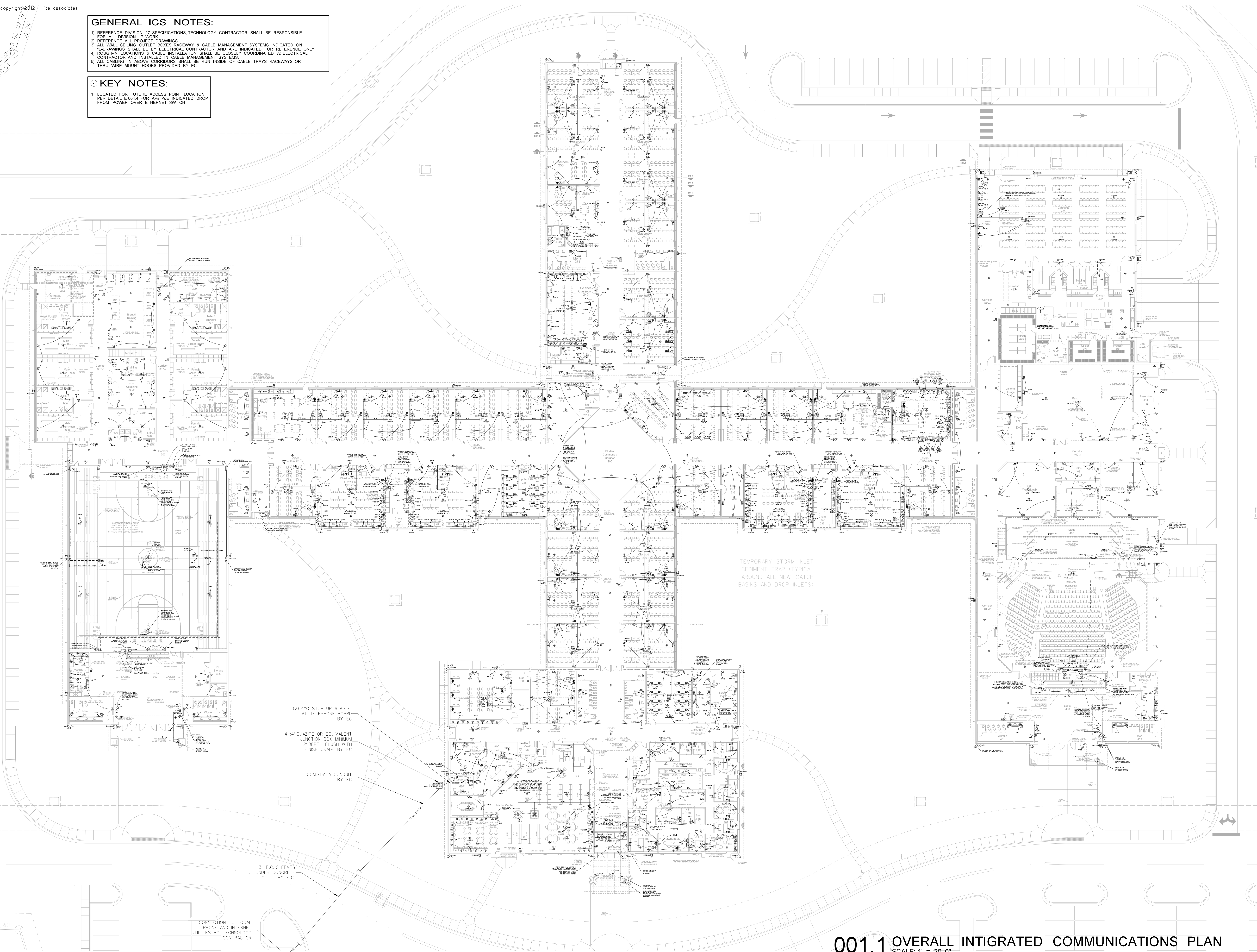
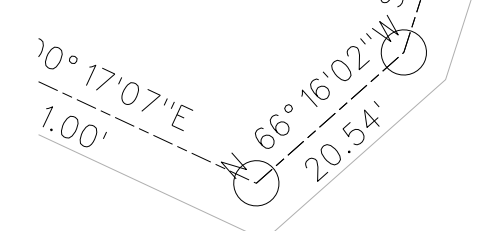
E 406

GENERAL ICS NOTES:

- 1) REFERENCE DIVISION 17 SPECIFICATIONS, TECHNOLOGY CONTRACTOR SHALL BE RESPONSIBLE FOR ALL DIVISION 17 WORK
- 2) REFERENCE ALL PROJECT DRAWINGS
- 3) ALL WALL, CEILING, OUTLET BOXES RACEWAY & CABLE MANAGEMENT SYSTEMS INDICATED ON "E-DRAWINGS" SHALL BE BY ELECTRICAL CONTRACTOR AND ARE INDICATED FOR REFERENCE ONLY
- 4) ROUGH-IN LOCATIONS & CABLE INSTALLATION SHALL BE CLOSELY COORDINATED W/ ELECTRICAL CONTRACTOR AND INSTALLED IN CABLE MANAGEMENT SYSTEMS
- 5) ALL CABLING IN ABOVE CORRIDORS SHALL BE RUN INSIDE OF CABLE TRAYS RACEWAYS, OR THRU WIRE MOUNT HOOKS PROVIDED BY EC

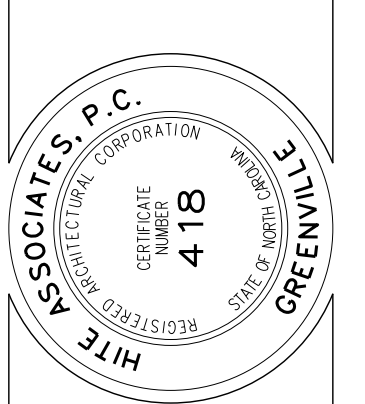
KEY NOTES:

- 1) LOCATED FOR FUTURE ACCESS POINT LOCATION PER DETAIL E-004.4 FOR AMP PRE INDICATED DROP FROM POWER OVER ETHERNET SWITCH



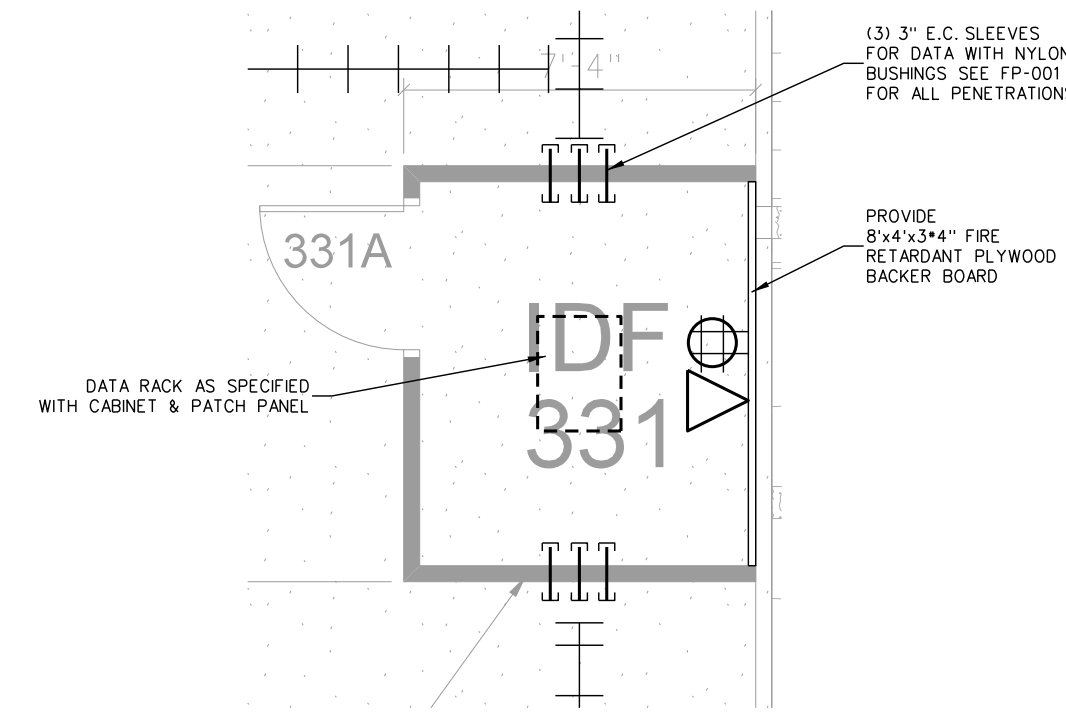
No.	Date	Revision

Hite associates
 ARCHITECTURE / ENGINEERING / TECHNOLOGY
 2600 Meridian Drive / Greenville, NC 27834 / tel (252) 757-0333

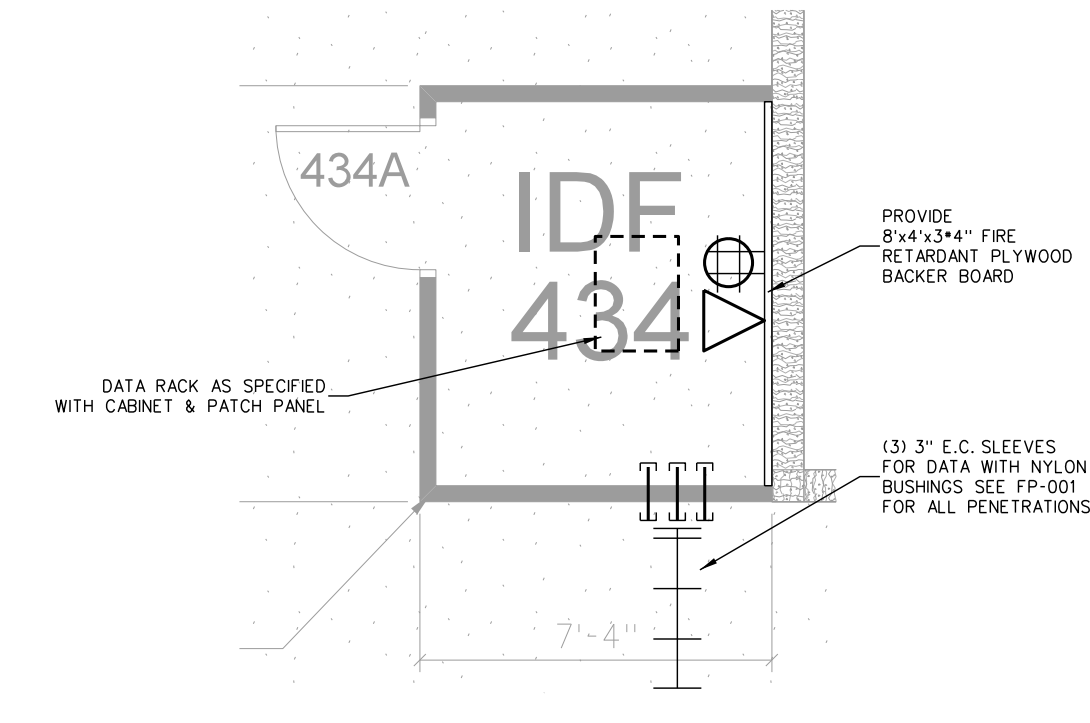


RECORD DRAWING
Bertie High School
 Bertie County Schools
 716 US 13 North / NCDPS Unit 080 - School 312
 Windsor / Bertie County / North Carolina

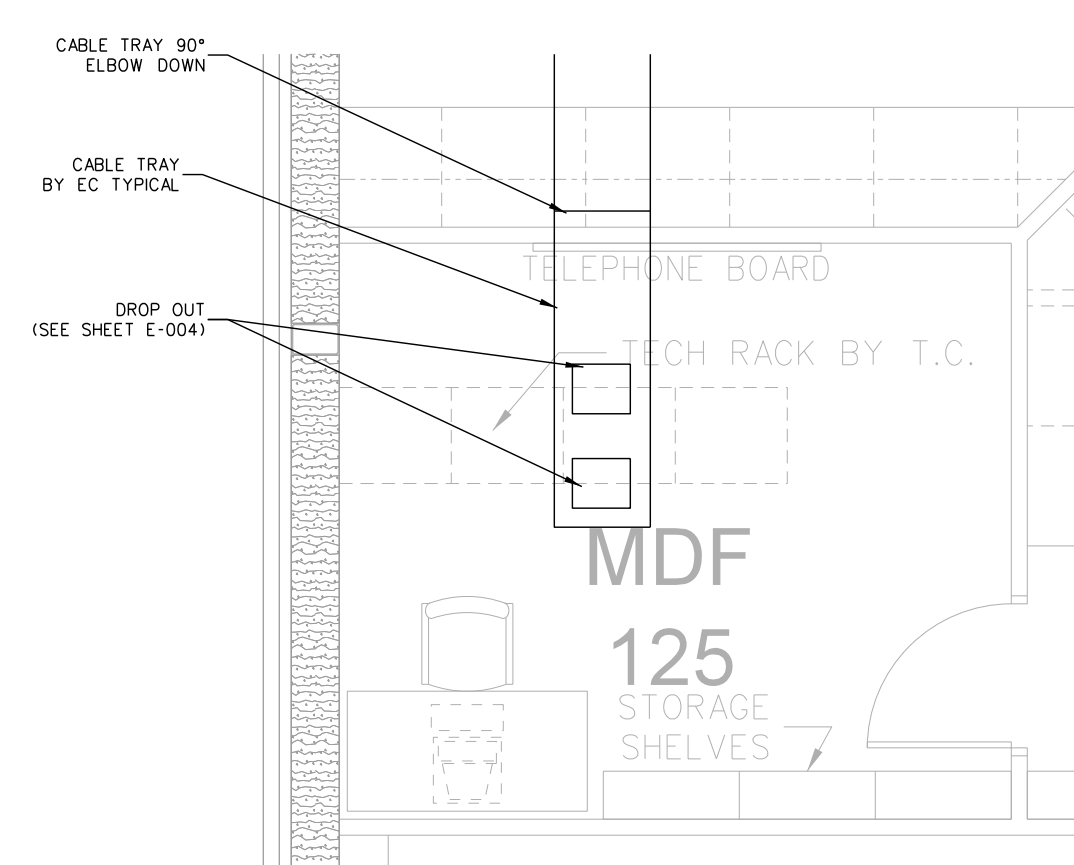
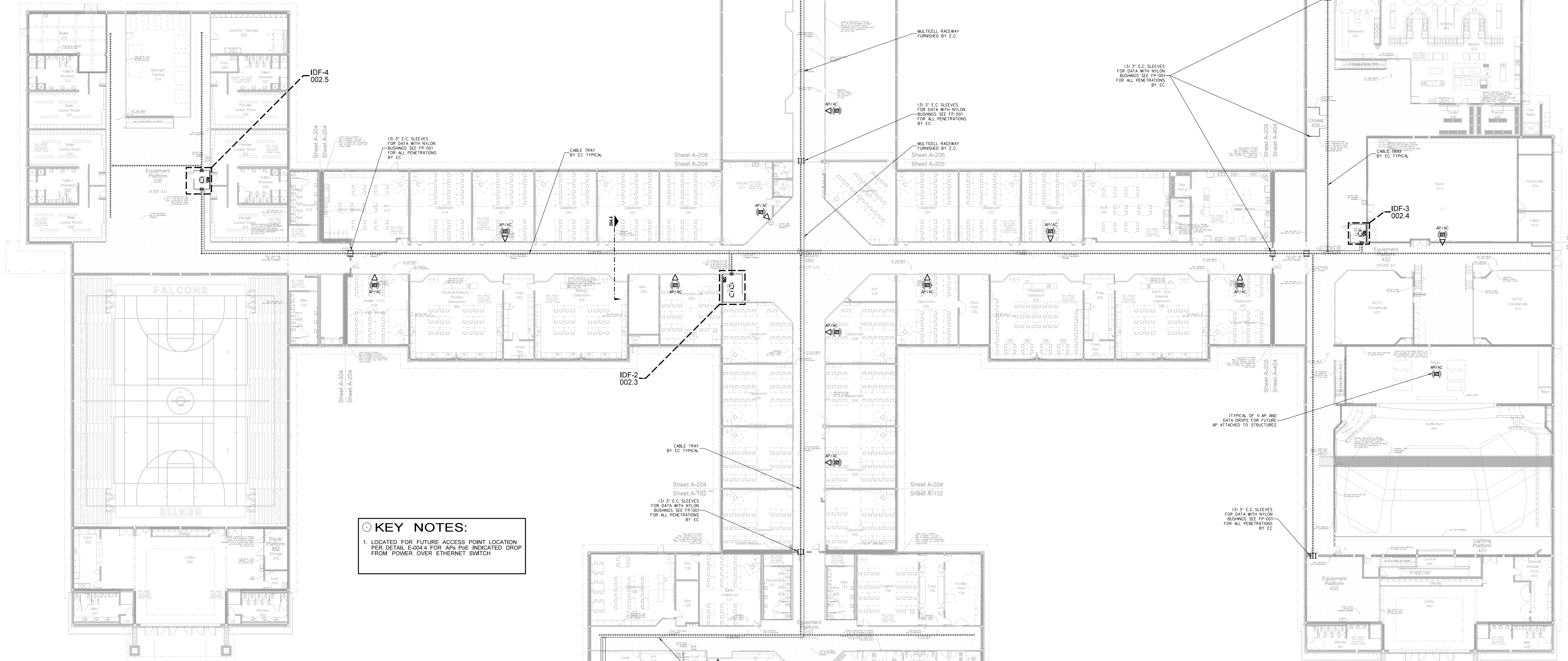
Project No. 21131
 Date: 28 March 2012
 Drawing no. **IC 001**



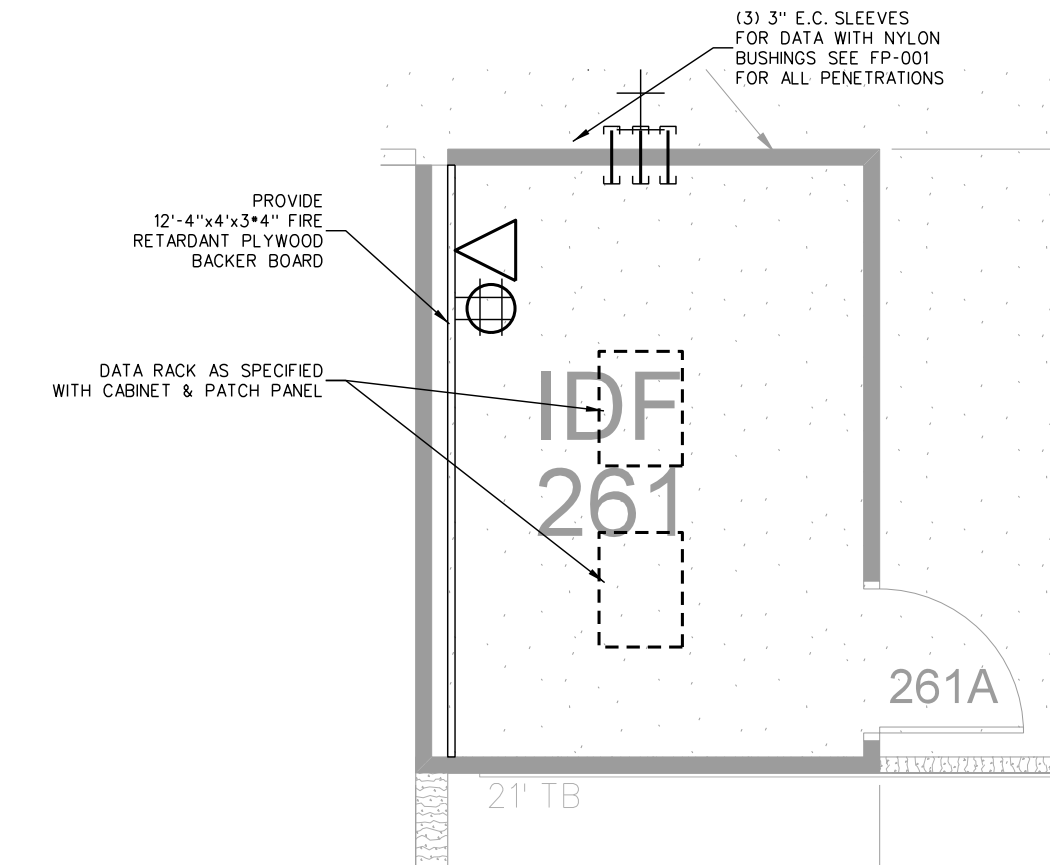
002.5 ENLARGED IDF-4 ROOM
SCALE: 1/4" = 1'-0"



002.4 ENLARGED IDF-3,5 ROOM
SCALE: 1/4" = 1'-0"



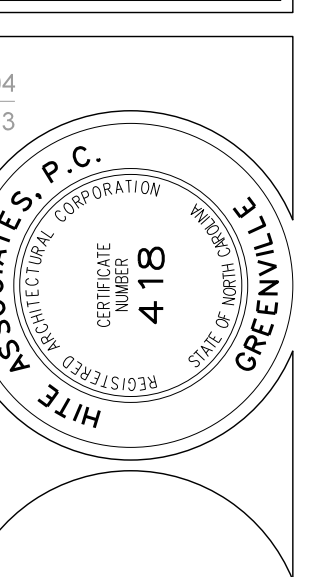
002.2 ENLARGED MDF ROOM
SCALE: 1/4" = 1'-0"



002.3 ENLARGED IDF-2 ROOM
SCALE: 1/4" = 1'-0"

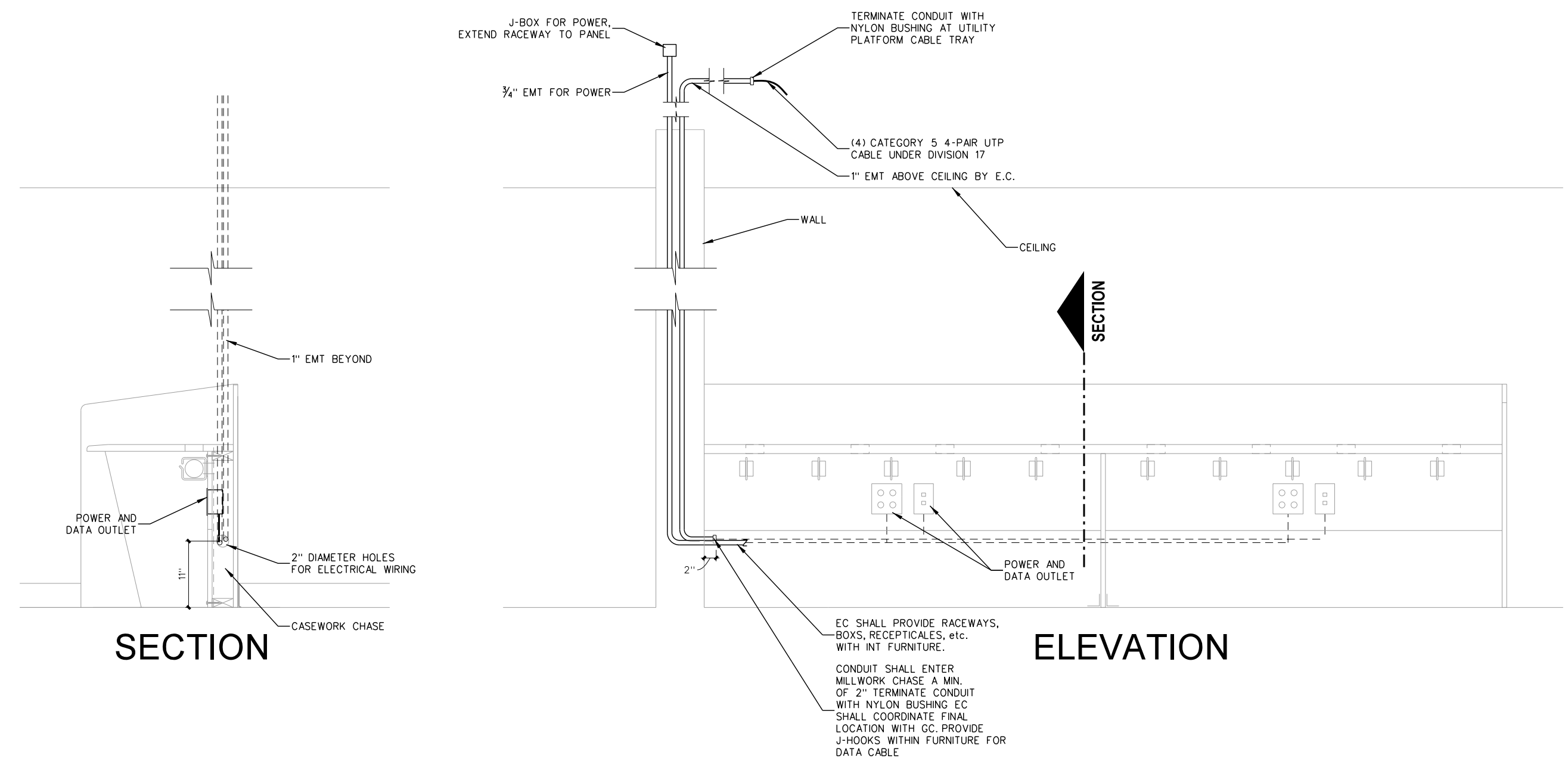
No.	Date	Revision

Hite associates
ARCHITECTURE / ENGINEERING / TECHNOLOGY
2600 Meridian Drive / Greenville, NC 27834 / tel (252) 757-0333



RECORD DRAWING
Bertie High School
Bertie County Schools
716 US 13 North / NCDPS Unit 080 - School 312
Windsor / Bertie County / North Carolina

Project No. 21131
Date: 28 March 2012
Drawing No. IC 002



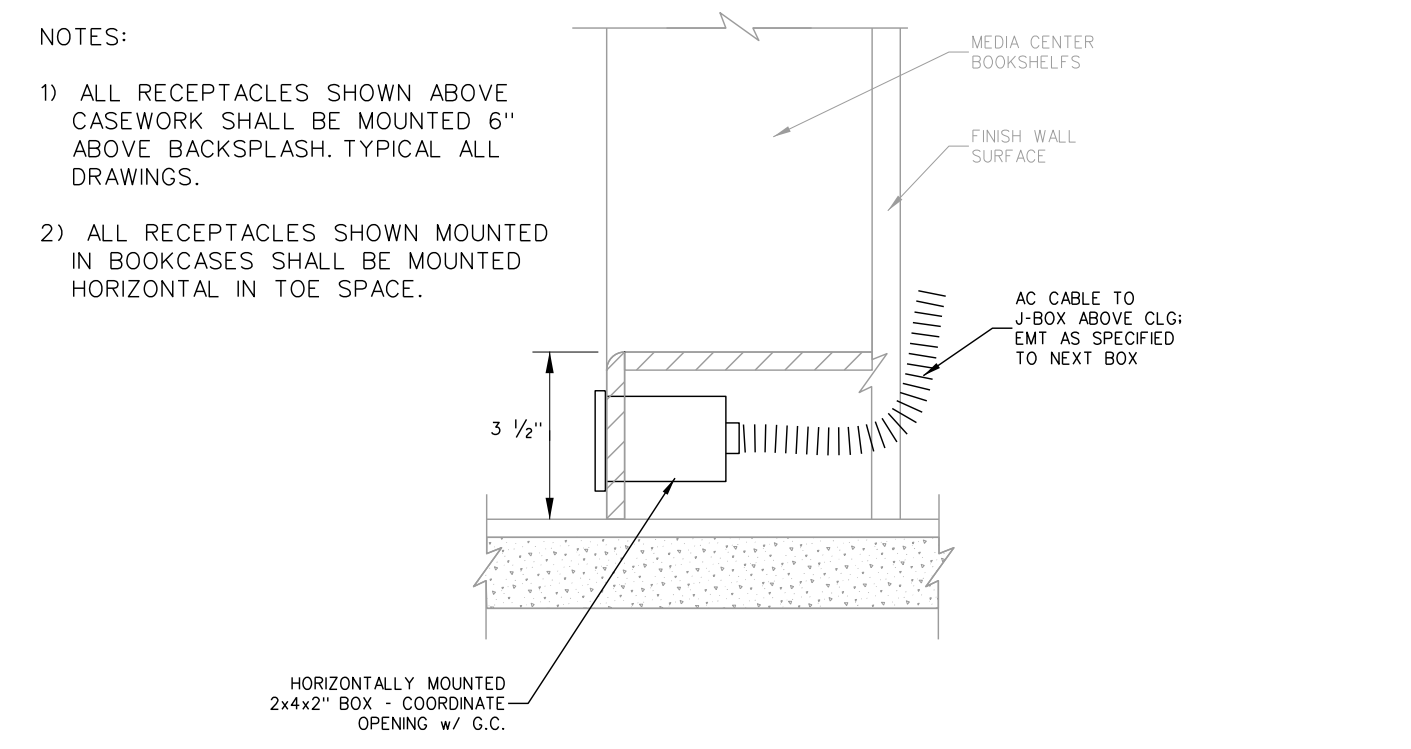
003.9 COMPUTER DESK DETAIL
SCALE: NONE

ICS SYMBOL LEGEND

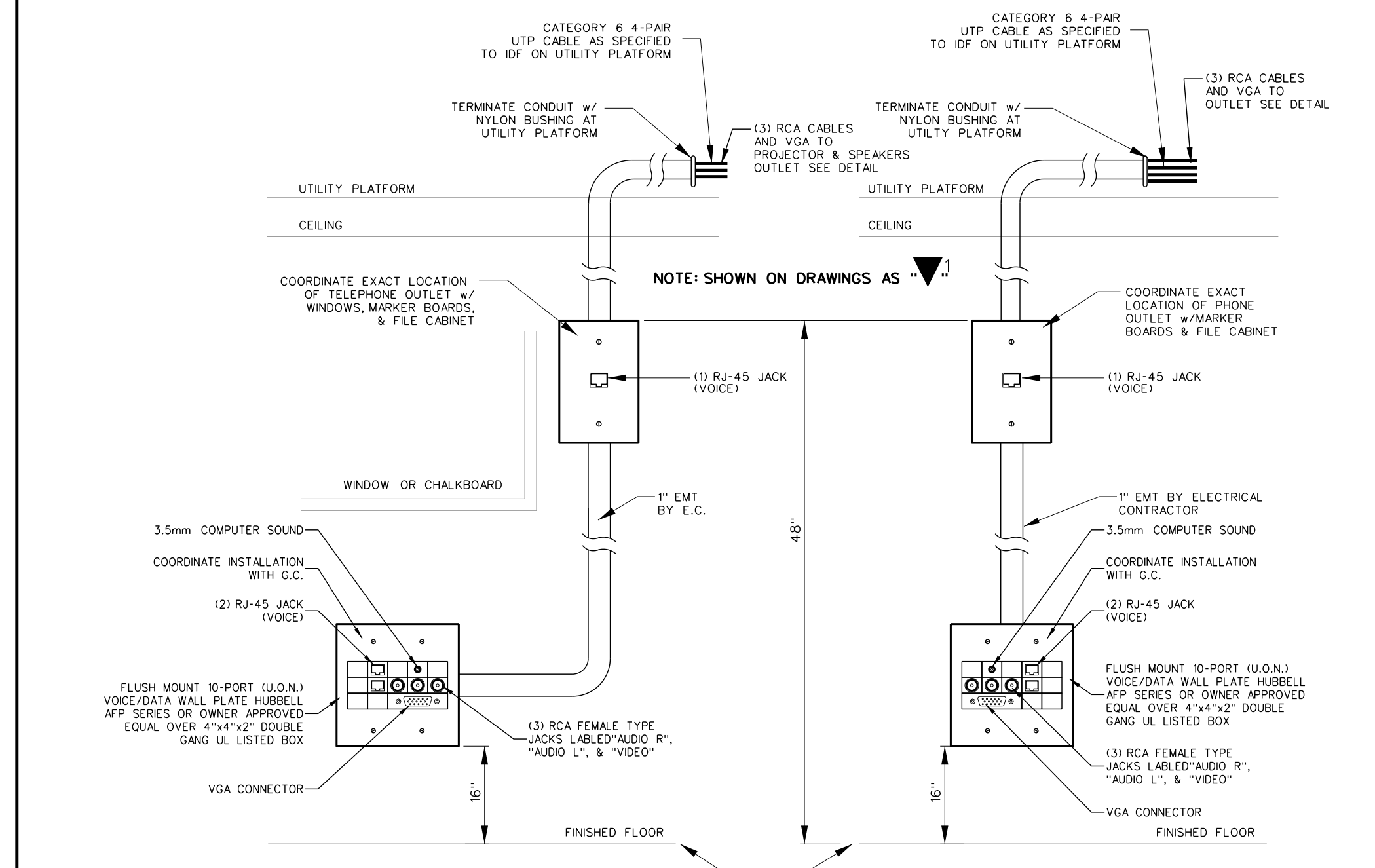
▽	BLANK COVER PLATE WITH PULL STRING	—FO—	FIBER OPTIC CABLE IN RACEWAY
▽	DATA - 1 OUTLET	—CATV—	CABLE TV
▽	DATA - 2 OUTLETS	—TEL—	TELEPHONE CABLE BY PHONE CO.
▽	DATA - 3 OUTLETS	—TELCOM—	TELECOMMUNICATIONS RACEWAY
▽	DATA - 4 OUTLETS	⊕	DUPLEX OUTLET - BOTTOM 15" A.F.F. MIN (TYP) BY E.C.
▽TEL	TELEPHONE OUTLET	⊕	QUADRUPLUX OUTLET BY E.C.
▽TV	TV OUTLET	⊙	FLOOR OUTLET BY E.C.
▽TEL, DATA	TELEPHONE, DATA		
▽2	TELEPHONE, 2 DATA		
▽	TEACHER - 4 RJ45 VOICE, DATA, V-BRICK, PRINTER, 1 VGA, 3 RCA		
▽	PHONO, TV		
▽3	TELE, 2 DATA, TV		
▽5B	1 DATA, VGA, 2 RCA		
⊕	CALL SWITCH AS SPECIFIED		
⊕	TYPICAL TO ALL SPEAKERS, PROVIDE RJ-45 TO PoE SWITCH		
⊕	RECESSED SPEAKER - WEATHERPROOF/VANDAL-RESISTANT		
⊕	FLUSH BRASS MICROPHONE JACK		
⊕	SECURITY SYSTEM KEYPAD		
⊕	MOTION SENSOR		
▽TV	TV OUTLET - WALL MOUNT - SEE DETAIL SHEET IC-002		
▽TV	TV OUTLET - CEILING MOUNT - SEE DETAIL SHEET IC-002		
⊕	WIRELESS ACCESS POINT		
⊕	INTERCOM VOLUME SWITCH		
⊕	TYPICAL TO ALL CLOCKS, BY EC		

ABBREVIATIONS:
 A.C. ABOVE CEILING
 A.F.F. ABOVE FINISH FLOOR
 EF EXHAUST FAN
 EWH ELECTRIC WATER HEATER
 G.C. GENERAL CONTRACTOR
 P.C. PLUMBING CONTRACTOR
 M.C. MECHANICAL CONTRACTOR
 E.C. ELECTRICAL CONTRACTOR OR EMPTY CONDUIT
 T.C. TECHNOLOGY SYSTEM CONTRACTOR
 B-2 TYPICAL CIRCUIT DESIGNATION: PANEL 'B', BREAKER #2
 C CONDUIT AS SPECIFIED
 NL 24 HOUR NIGHT LIGHT
 U.O.N. UNLESS OTHERWISE NOTED
 U.G. UNDERGROUND

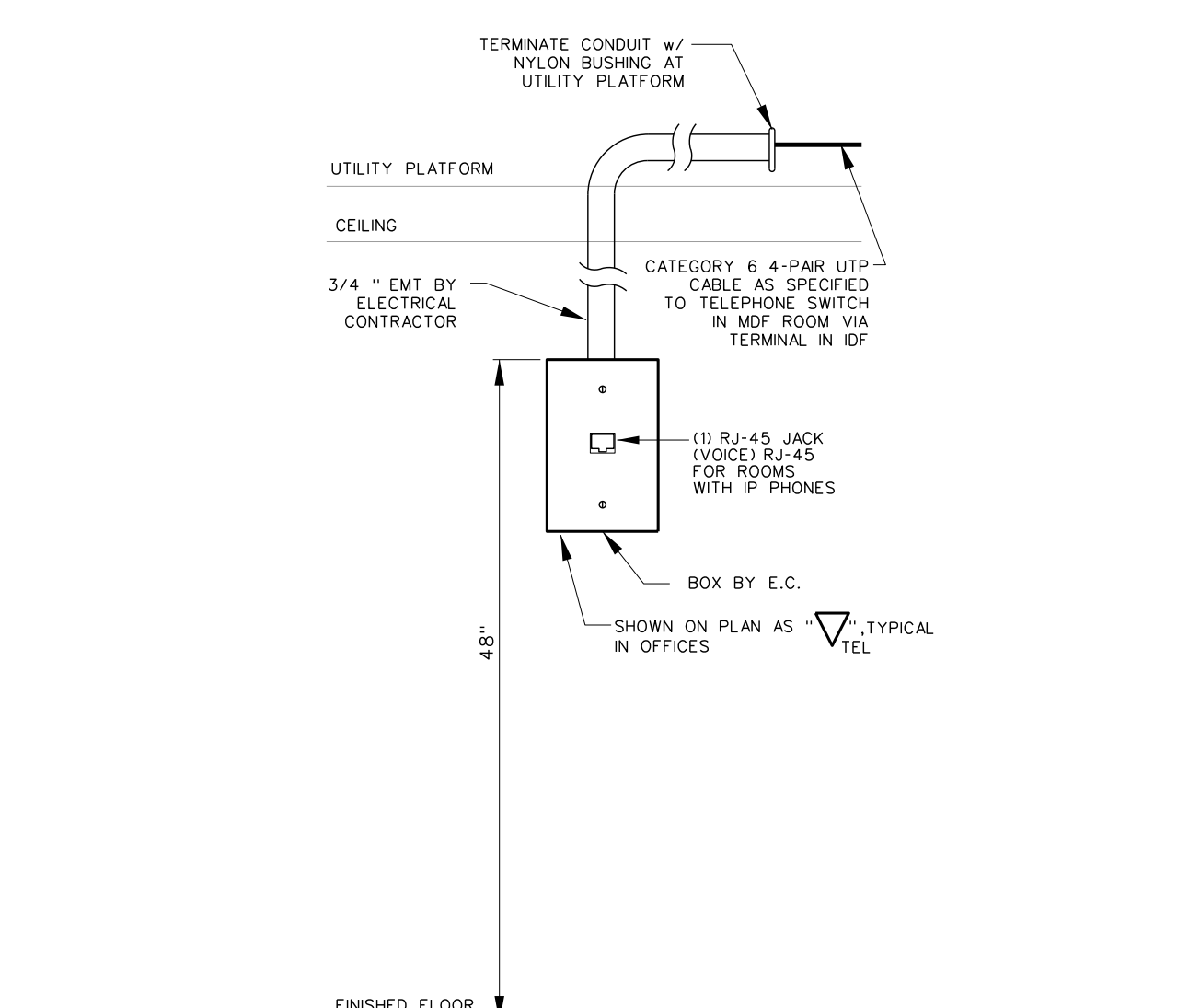
NOTE: LEGEND IS FOR REFERENCE ONLY - SYMBOLS/ABBREVIATIONS SHOWN DO NOT NECESSARILY APPLY TO THIS PROJECT.



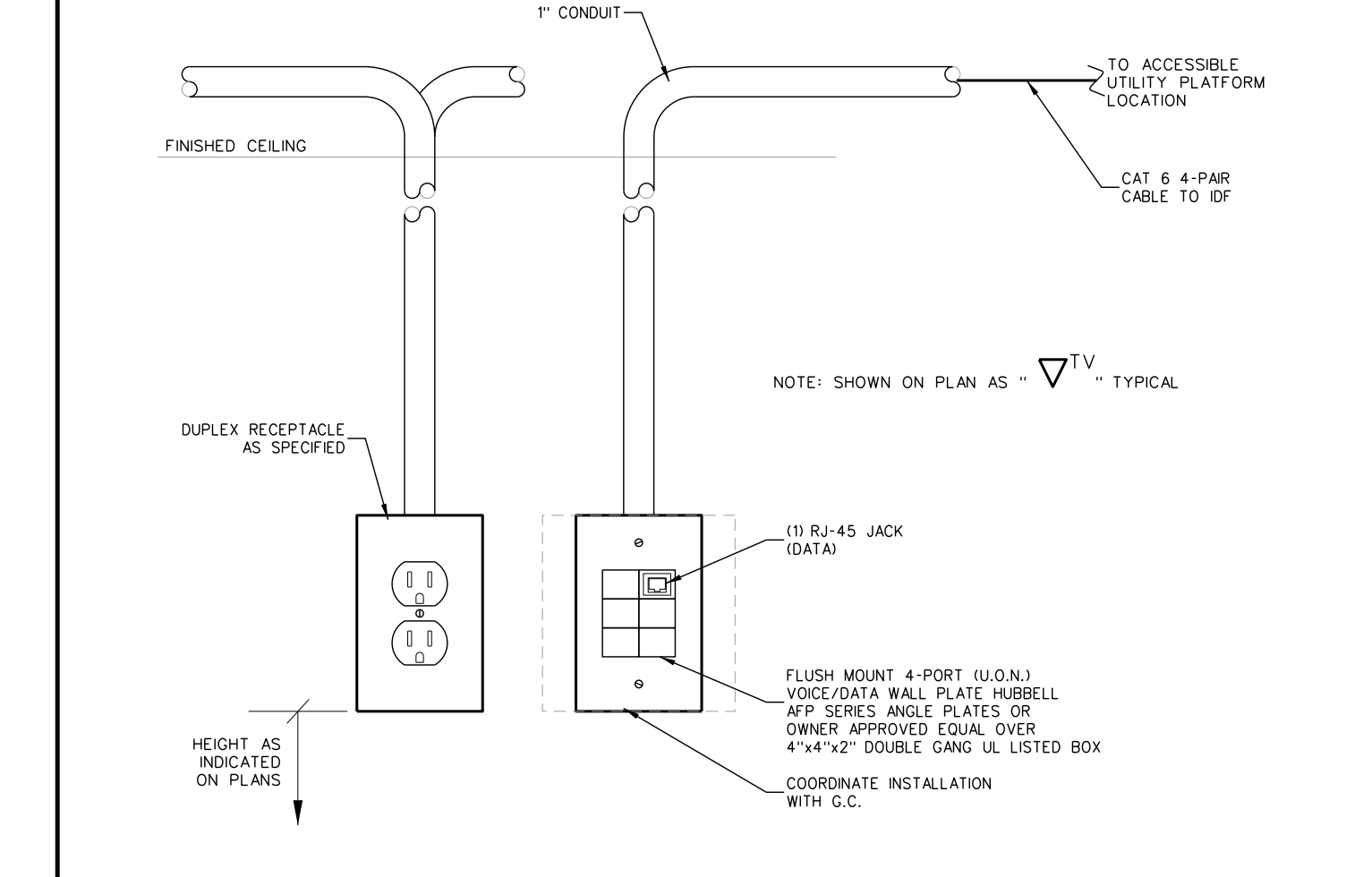
003.8 HORIZONTAL RECEPTACLE DETAIL
SCALE: NONE



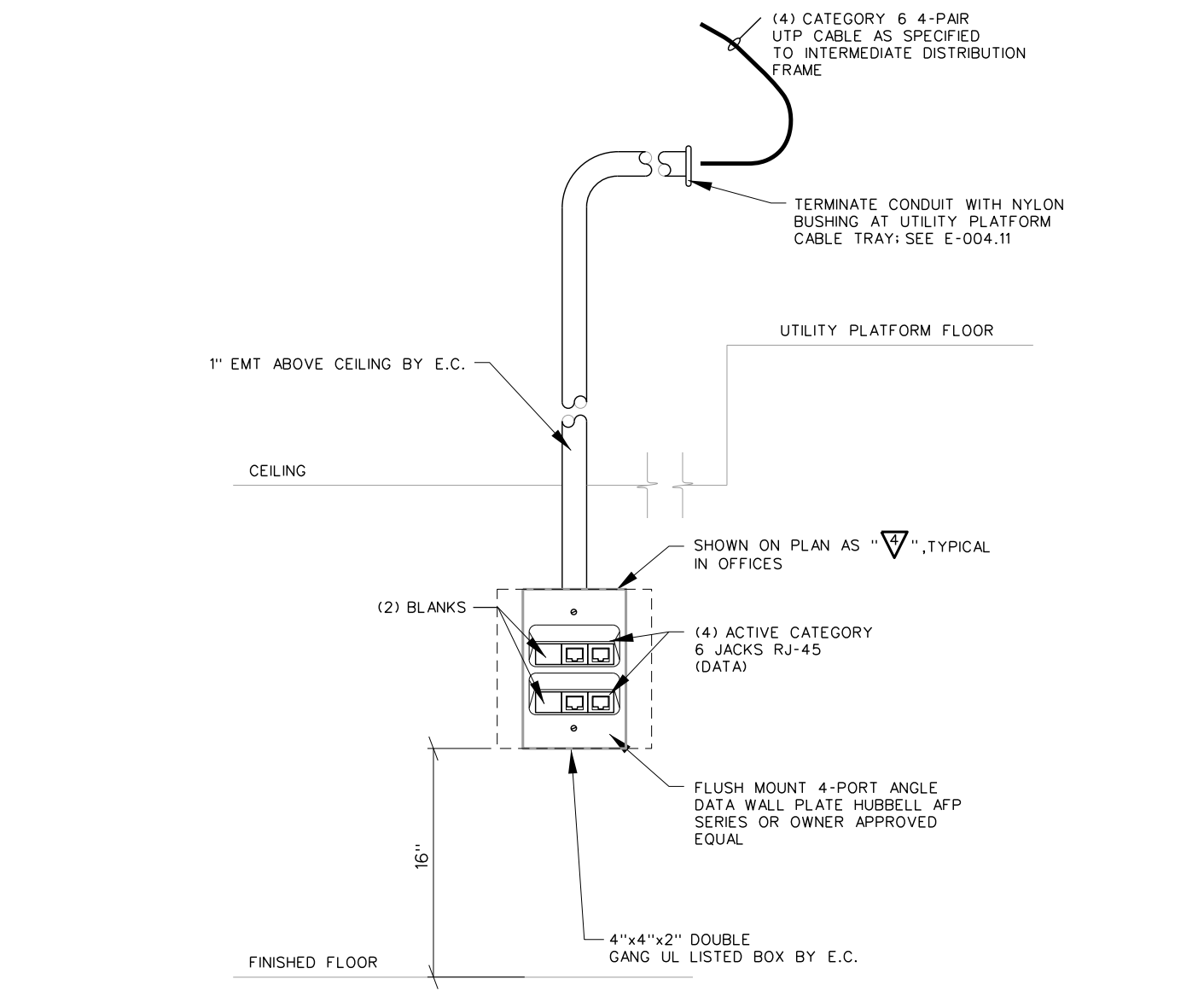
003.7 TEACHERS DATA/A-V/VOICE OUTLET DETAILS
SCALE: NONE



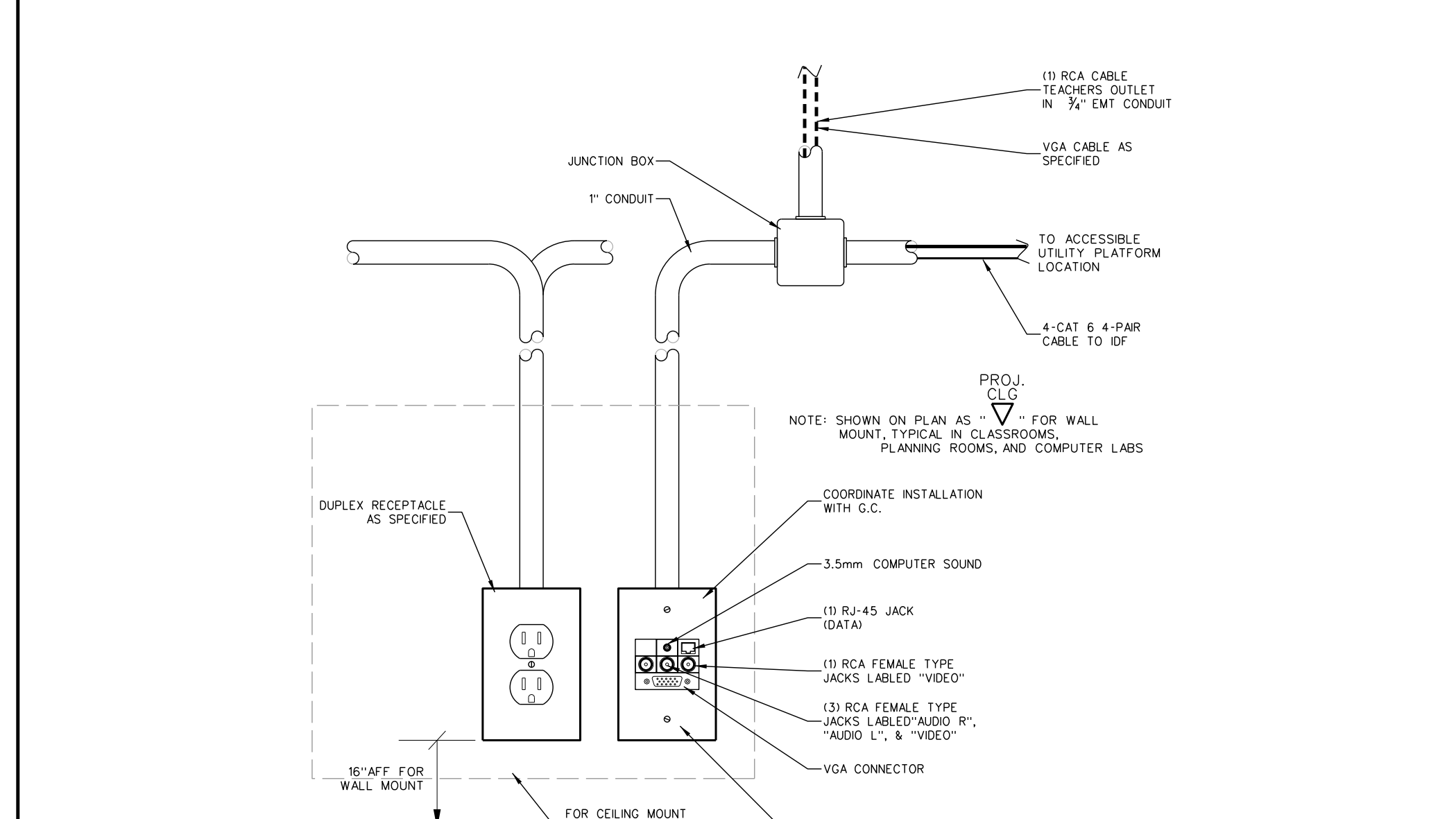
003.6 TELEPHONE OUTLET DETAIL
SCALE: NONE



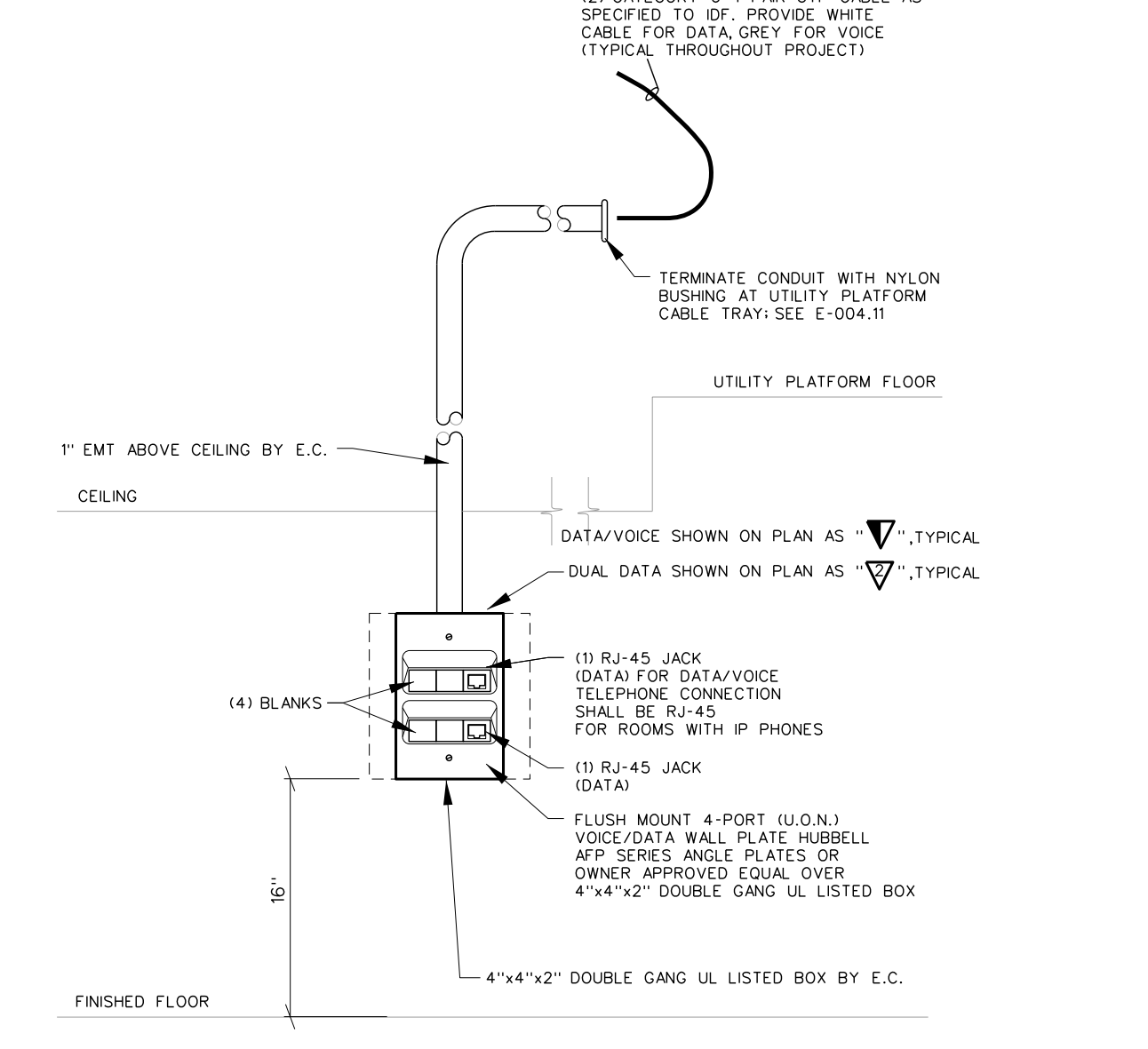
003.5 TV WALL OUTLET DETAIL
SCALE: NONE



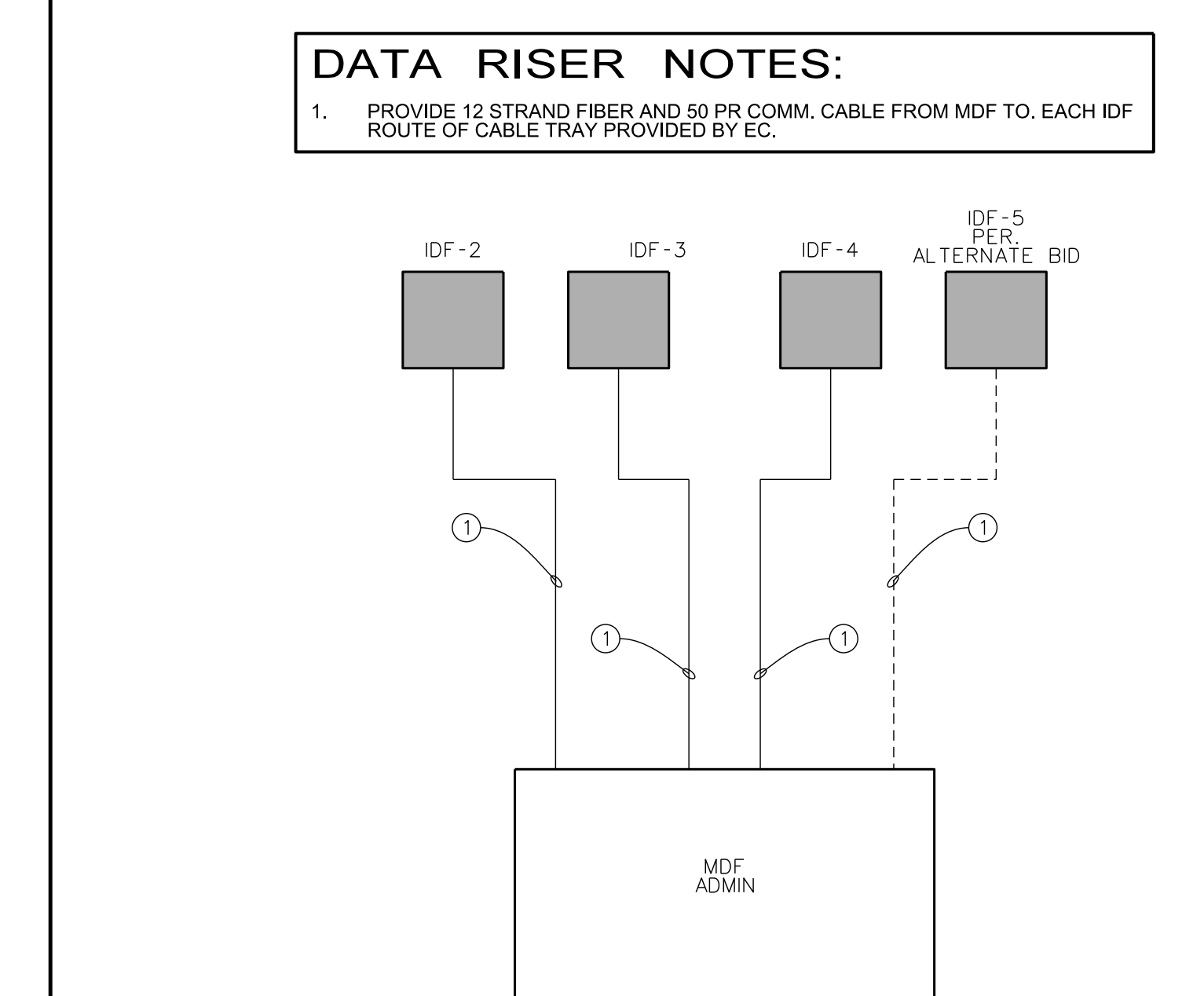
003.4 CLASSROOM DATA OUTLET DETAIL
SCALE: NONE



003.3 PROJECTOR CEILING OUTLET DETAIL
SCALE: NONE



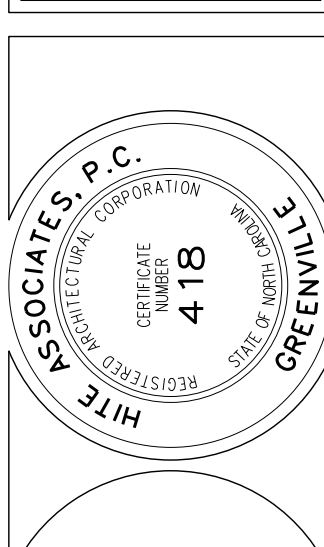
003.2 DATA/VOICE OUTLET & DUAL DATA OUTLET DETAIL
SCALE: NONE



003.1 DATA RISER
SCALE: NONE

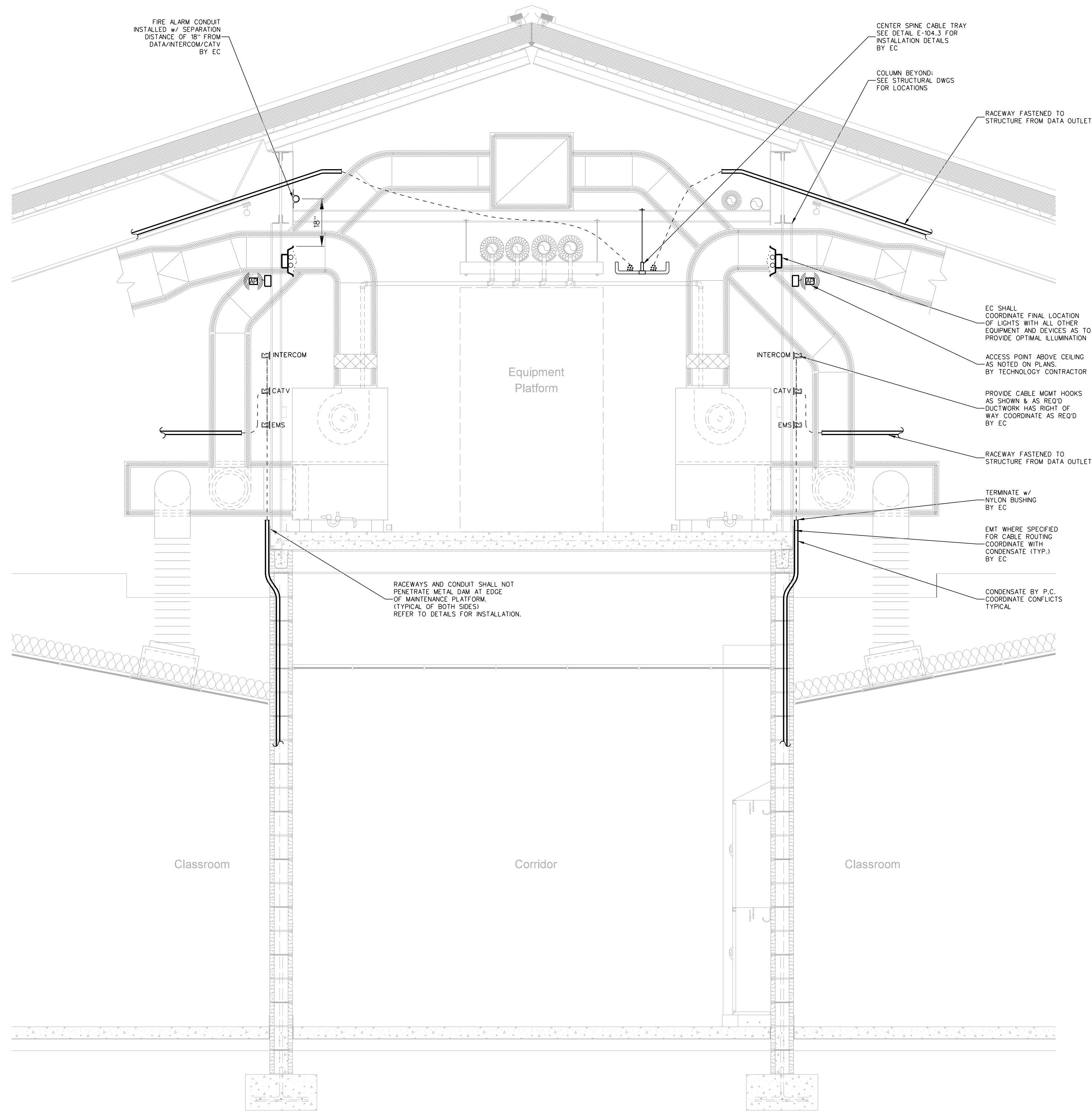
Revision	No.	Date

Hite associates
 ARCHITECTURE / ENGINEERING / TECHNOLOGY
 2600 Meridian Drive / Greenville, NC 27834 / tel (252) 757-0333

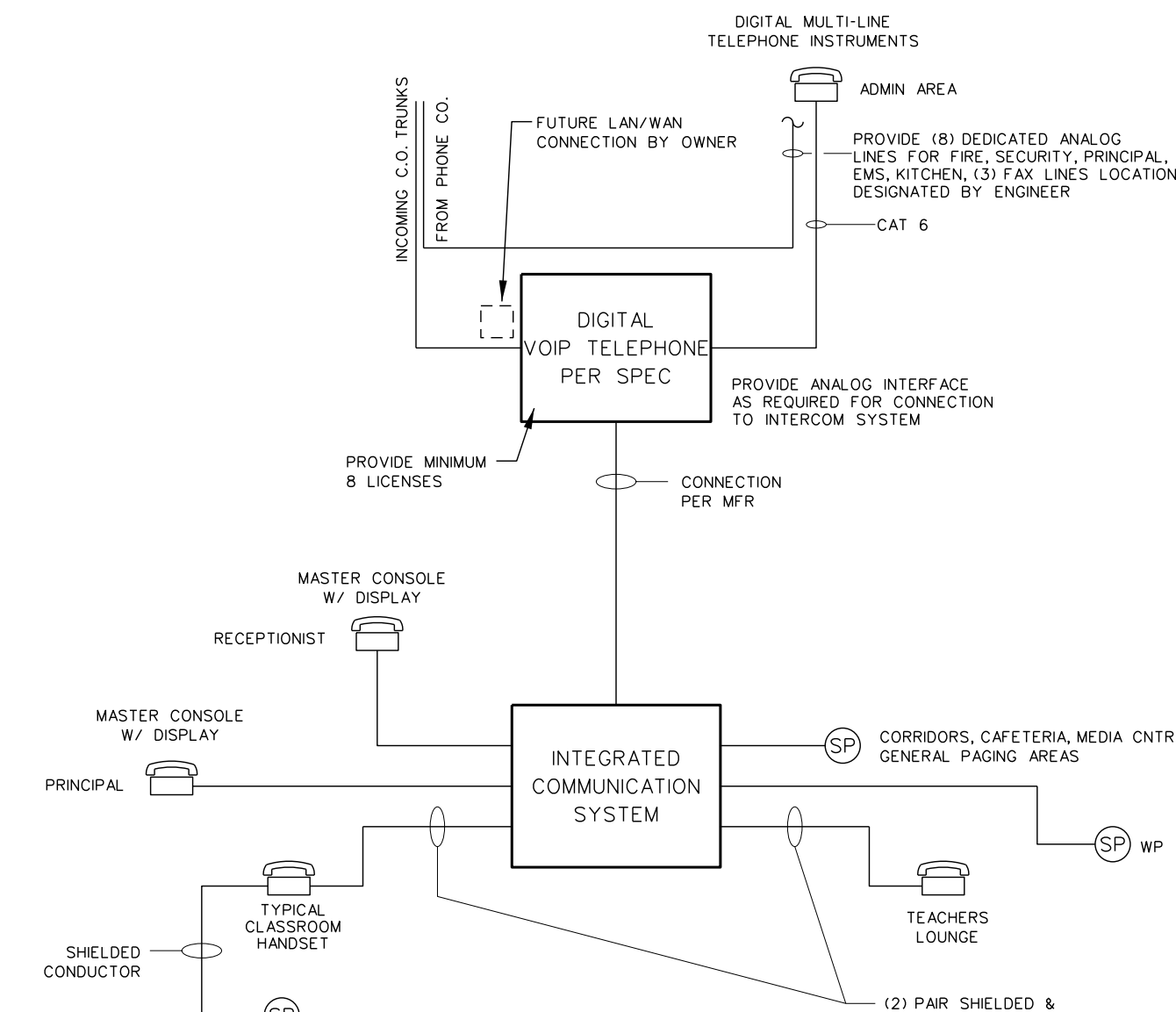


RECORD DRAWING
 Bertie High School
 Bertie County Schools
 716 US 13 North / NCDPS Unit 080 - School 312
 Windsor / Bertie County / North Carolina

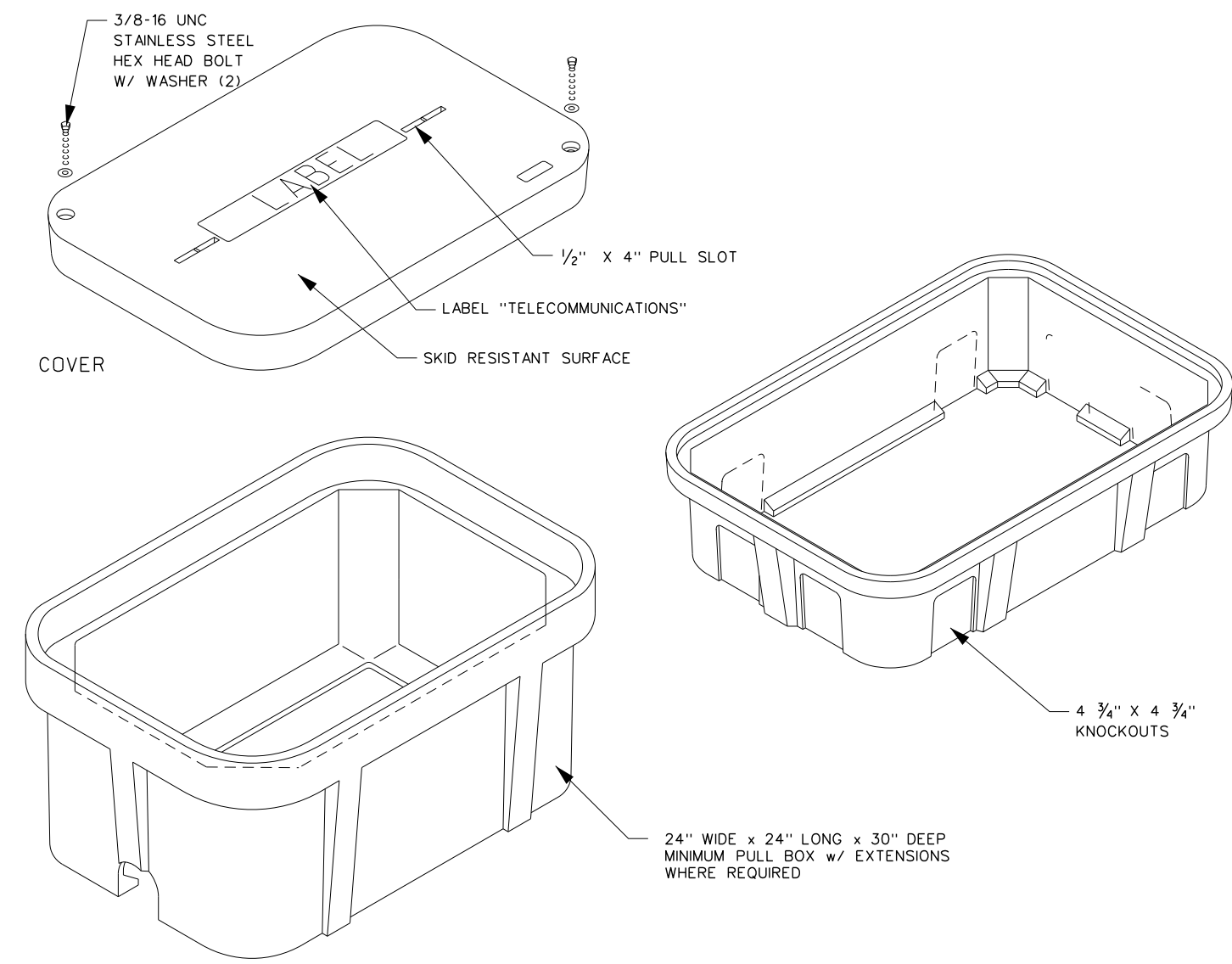
Project No. 21131
 Date: 28 March 2012
 Drawing No. IC 003



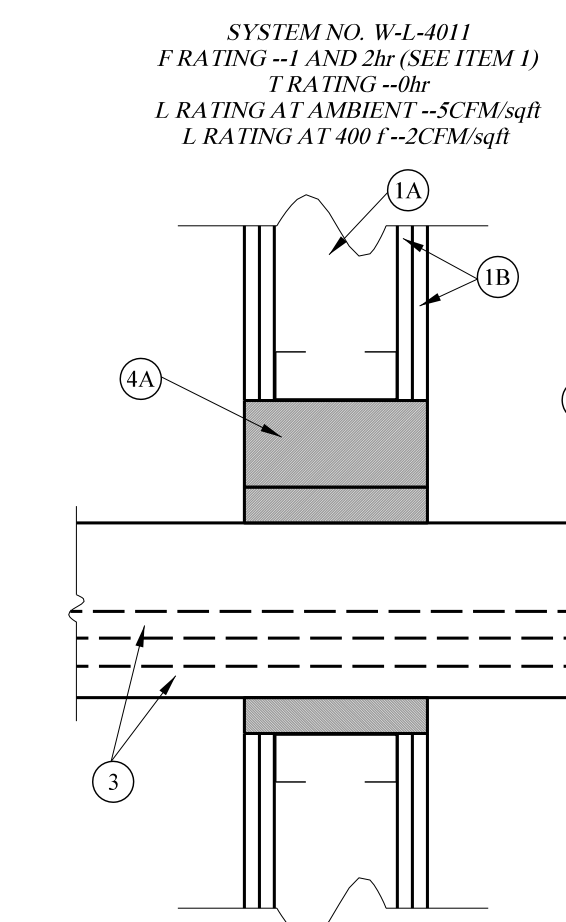
004.4 UTILITY PLATFORM CABLE ROUTING DETAIL (TYPICAL)
SCALE: NONE



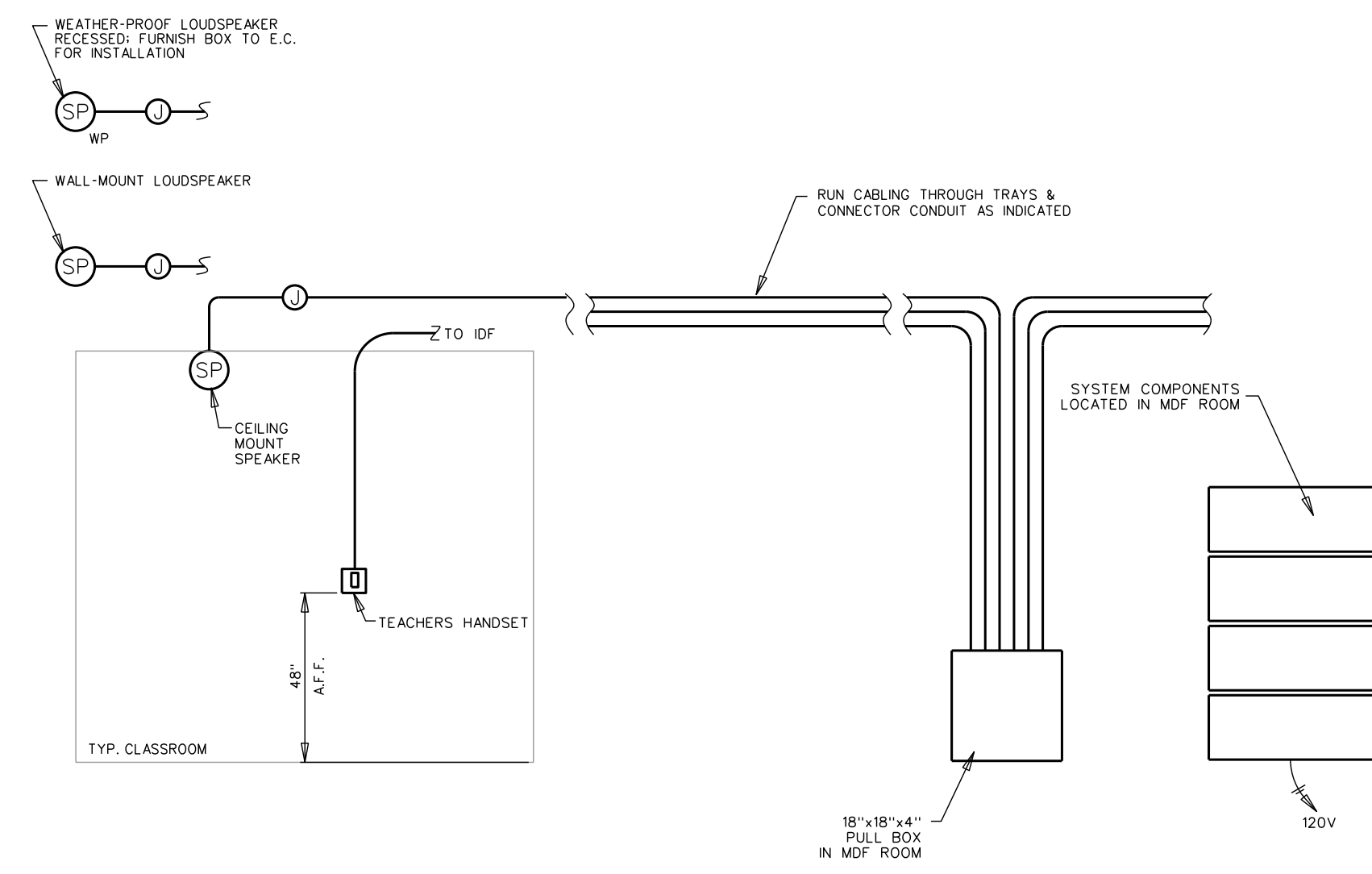
004.2 PHONE/INTERCOM RISER DIAGRAM
SCALE: NONE



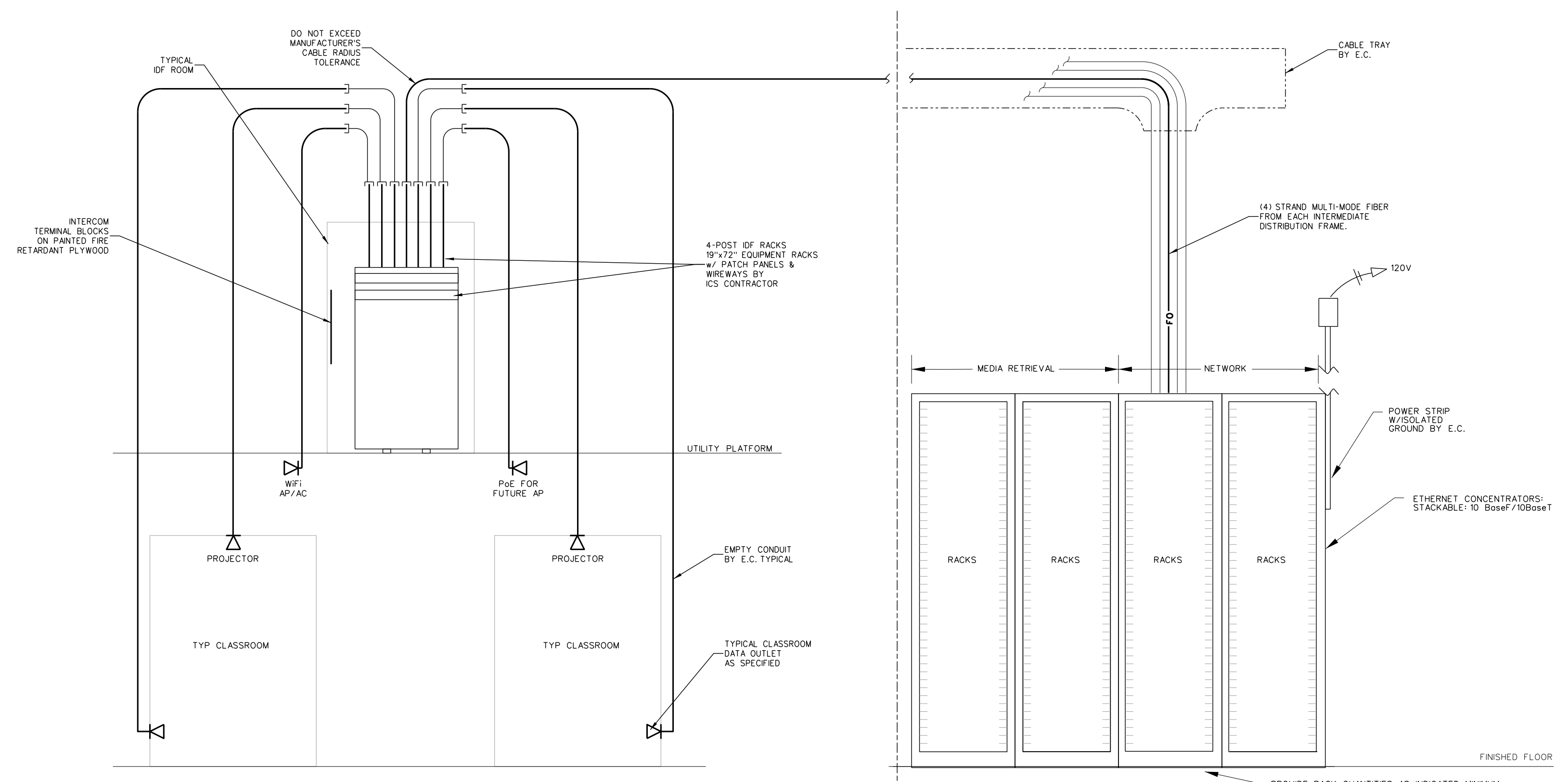
004.5 TELECOMMUNICATIONS PULL BOX DETAIL
SCALE: none



004.5 FIRE RATED PENETRATION - CABLE TRAY
SCALE: none



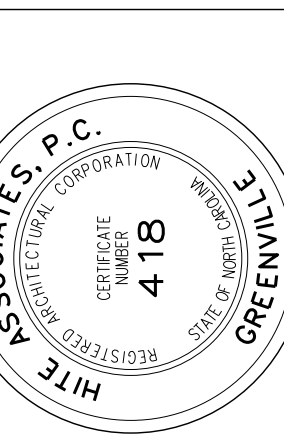
004.3 INTERCOMMUNICATIONS SYSTEM RISER
SCALE: NONE



004.1 ICS CONNECTION DIAGRAM
SCALE: NONE

No.	Date	Revision

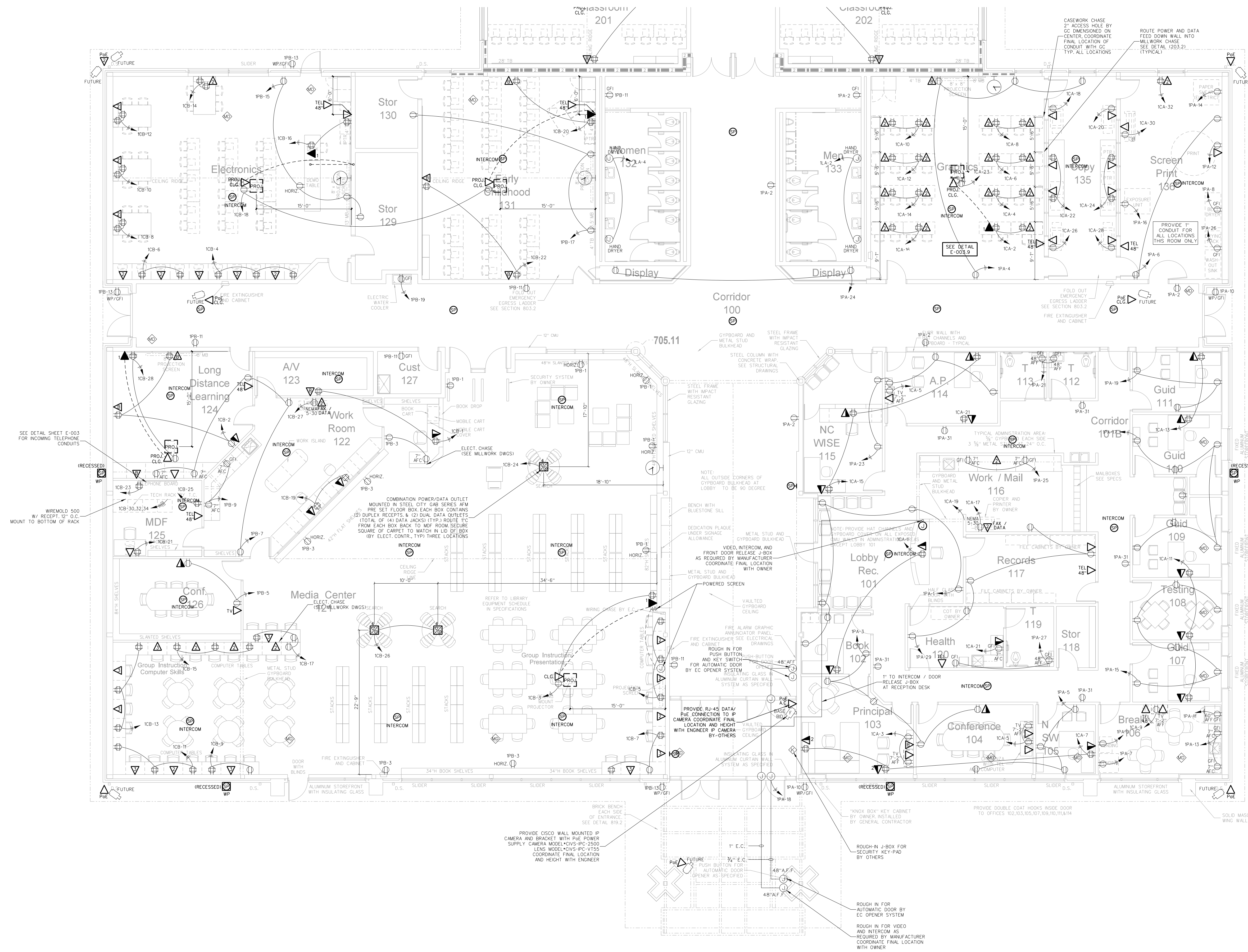
Hite associates
ARCHITECTURE / ENGINEERING / TECHNOLOGY
2600 Meridian Drive / Greenville, NC 27834 / tel (252) 757-0333



RECORD DRAWING

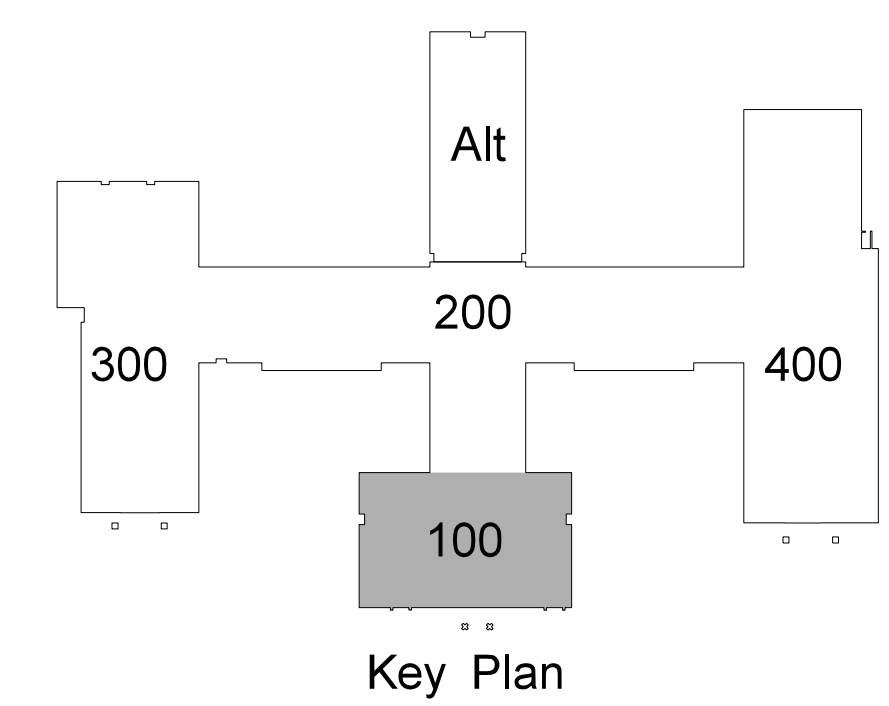
RECORD DRAWING
New Bertie High School
Bertie County Schools
716 US 13 North / NCDPS Unit 080 - School 3112
Windsor / Bertie County / North Carolina

Project No.	21131
Date:	28 March 2012
Drawing no.	IC 004

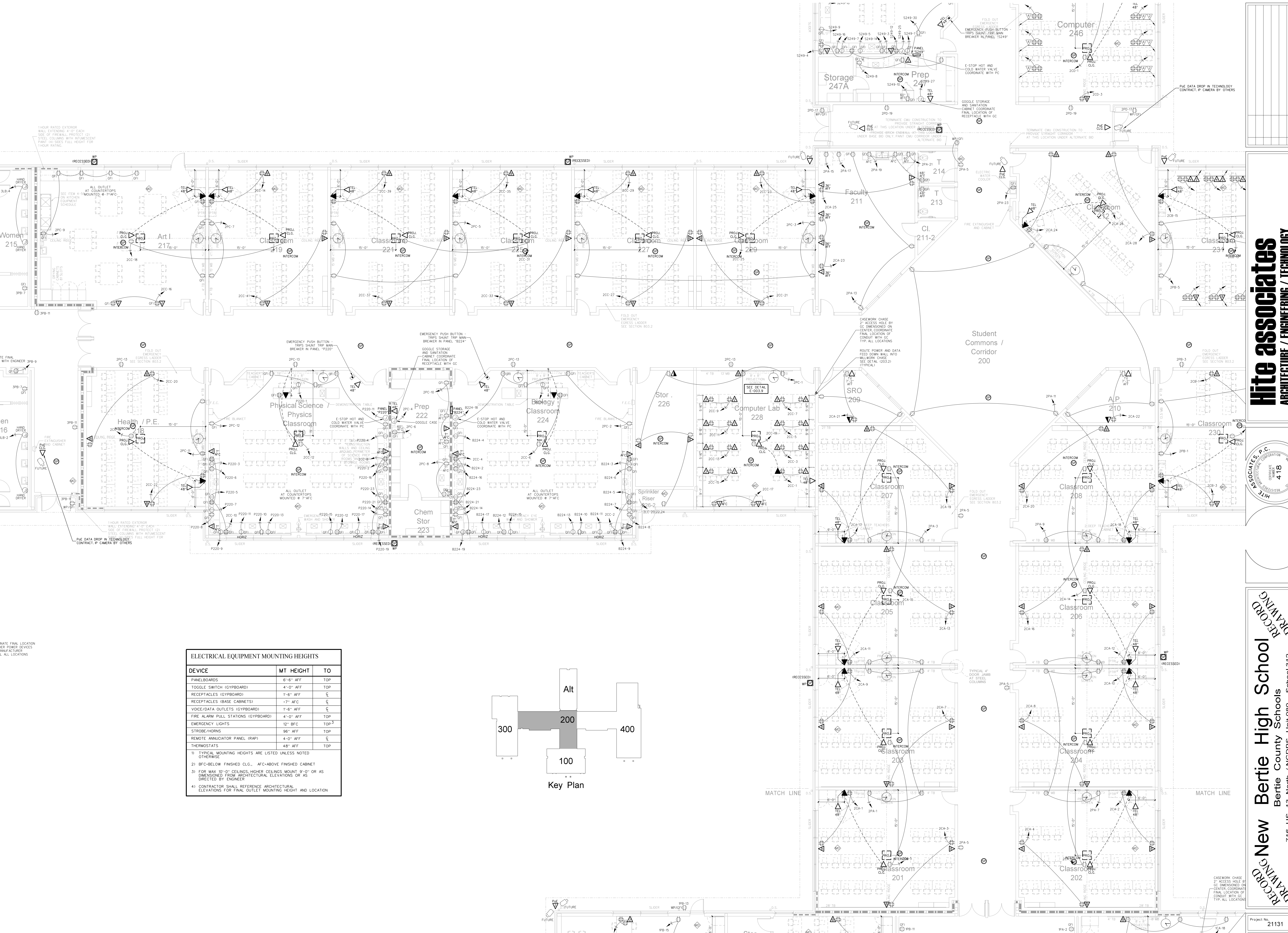
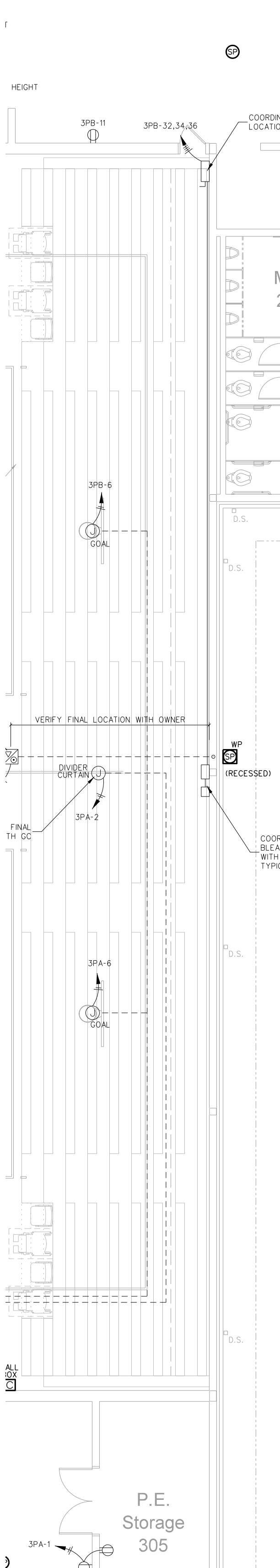
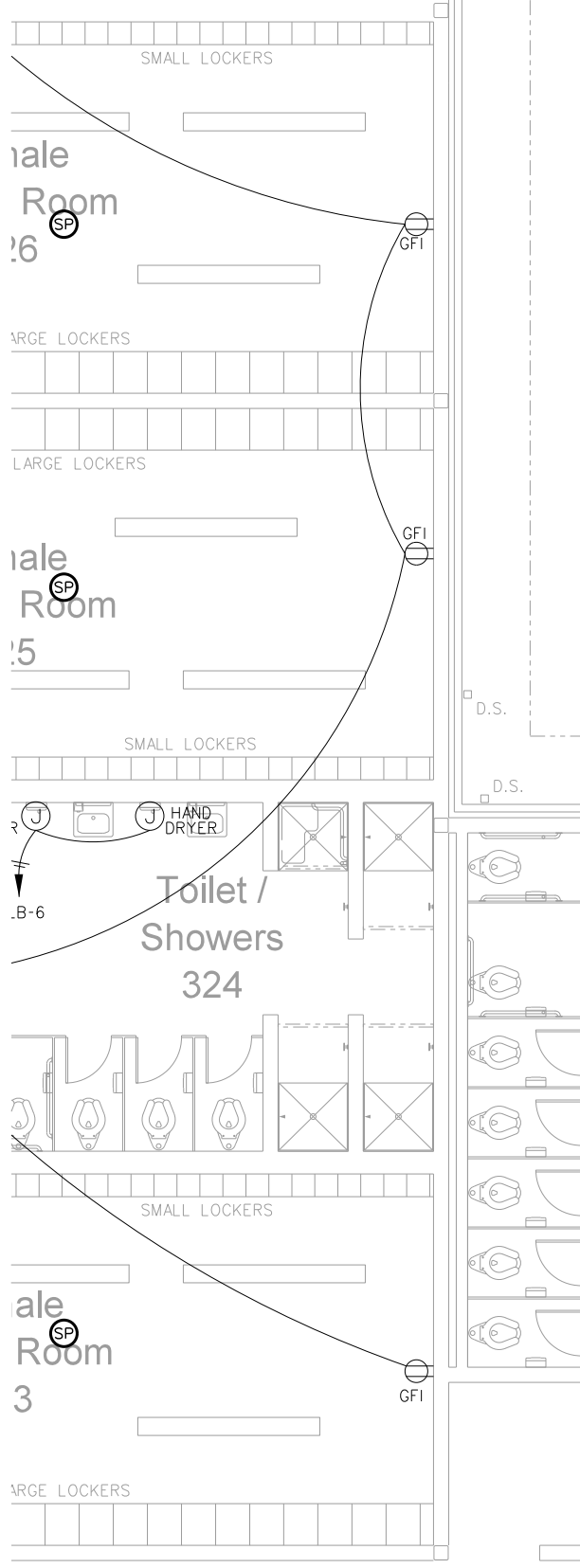


DEVICE	MT HEIGHT	TO
PANELBOARDS	6'-6" AFF	TOP
TOGGLE SWITCH (GYBOARD)	4'-0" AFF	TOP
RECEPTACLES (GYBOARD)	1'-6" AFF	⊥
RECEPTACLES (BASE CABINETS)	-7" AFC	⊥
VOICE/DATA OUTLETS (GYBOARD)	1'-6" AFF	⊥
FIRE ALARM PULL STATIONS (GYBOARD)	4'-0" AFF	TOP
EMERGENCY LIGHTS	12" BFC	TOP ¹
STROBE/HORN	96" AFF	TOP
REMOTE ANNUNCIATOR PANEL (RAP)	4'-0" AFF	⊥
THERMOSTATS	48" AFF	TOP

1) TYPICAL MOUNTING HEIGHTS ARE LISTED UNLESS NOTED OTHERWISE
 2) BFC=BELOW FINISHED C.L.G., AFC=ABOVE FINISHED CABINET
 3) FOR MAX 10'-0" CEILINGS, HORN/STROBE MOUNT 9'-0" OR AS DIMENSIONED FROM ARCHITECTURAL ELEVATIONS OR AS DIRECTED BY ENGINEER
 4) CONTRACTOR SHALL REFERENCE ARCHITECTURAL ELEVATIONS FOR FINAL OUTLET MOUNTING HEIGHT AND LOCATION

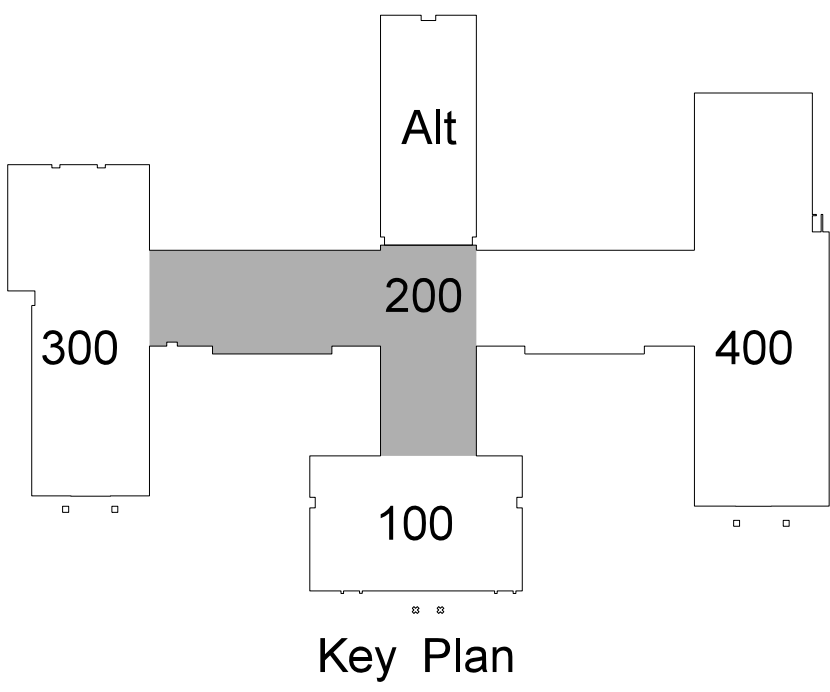


101.1 ADMINISTRATION / MEDIA CENTER / STUDENT SERVICES: INTEGRATED COMMUNICATIONS PLAN
 SCALE: 1/8" = 1'-0"



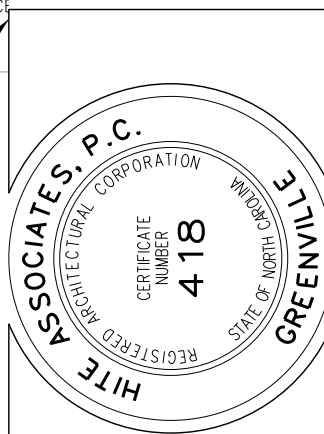
ELECTRICAL EQUIPMENT MOUNTING HEIGHTS		
DEVICE	MT HEIGHT	TO
PANELBOARDS	8'-6" AFF	TOP
TWIDDLE SWITCH (GYBOARD)	4'-0" AFF	TOP
RECEPTACLES (GYBOARD)	1'-6" AFF	CL
RECEPTACLES (BASE CABINETS)	1'-2" AFC	CL
VOICE/DATA OUTLETS (GYBOARD)	1'-6" AFF	CL
FIRE ALARM PULL STATIONS (GYBOARD)	4'-0" AFF	TOP
EMERGENCY LIGHTS	12" BFC	TOP ³⁾
STROBE/HORNS	96" AFF	TOP
REMOTE ANNUNCIATOR PANEL (RAP)	4'-0" AFF	CL
THERMOSTATS	48" AFF	TOP

1) TYPICAL MOUNTING HEIGHTS ARE LISTED UNLESS NOTED OTHERWISE
 2) BFC=BELOW FINISHED CLG., AFC=ABOVE FINISHED CABINET
 3) FOR MAX 10'-0" CEILINGS, HIGHER CEILINGS MOUNT 9'-0" OR AS DIMENSIONED FROM ARCHITECTURAL ELEVATIONS OR AS DIRECTED BY ENGINEER
 4) CONTRACTOR SHALL REFERENCE ARCHITECTURAL ELEVATIONS FOR FINAL OUTLET MOUNTING HEIGHT AND LOCATION



No.	Date	Revision

Hite associates
 ARCHITECTURE / ENGINEERING / TECHNOLOGY
 2600 Meridian Drive / Greenville, NC 27834 / Tel: (252) 757-0333



RECORD DRAWING
New Bertie High School
 Bertie County Schools
 716 US 13 North / NCDPS Unit 080 - School 312
 Windsor / Bertie County / North Carolina

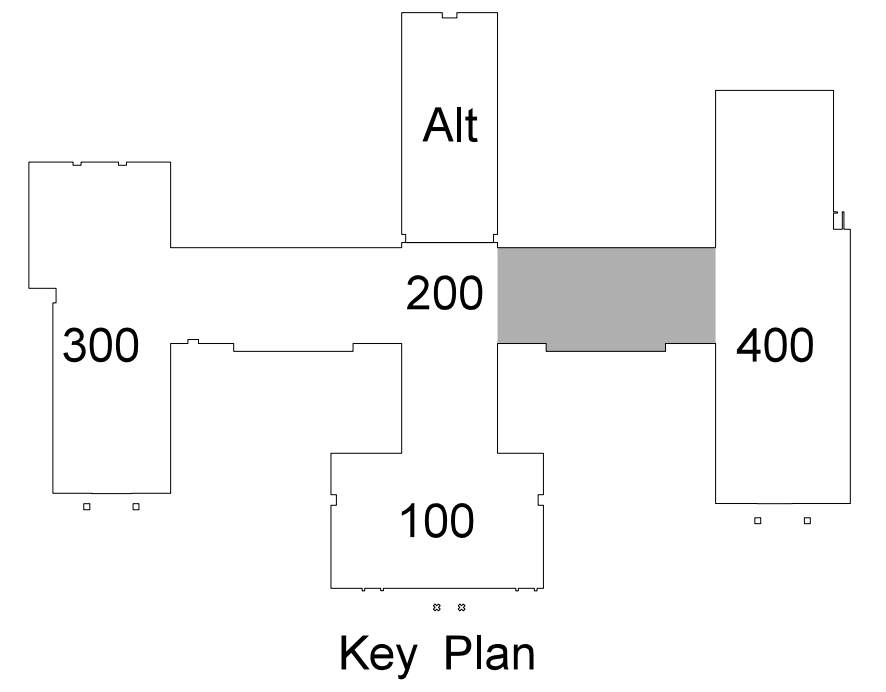
Project No. 21131
 Date: 28 March 2012
 Drawing No. **IC 201**

201.1 CLASSROOM WING NORTH INTEGRATED COMMUNICATIONS PLAN
 SCALE: 1/8" = 1'-0"



ELECTRICAL EQUIPMENT MOUNTING HEIGHTS		
DEVICE	MT. HEIGHT	TO
PANELBOARDS	6'-6" AFF TOP	TOP
TOGGLE SWITCH (GYBOARD)	4'-0" AFF TOP	TOP
RECEPTACLES (GYBOARD)	1'-6" AFF	CL
RECEPTACLES (BASE CABINETS)	-7" AFC	CL
VOICE/DATA OUTLETS (GYBOARD)	1'-6" AFF	CL
FIRE ALARM PULL STATIONS (GYBOARD)	4'-0" AFF TOP	TOP
EMERGENCY LIGHTS	12" BFC	TOP-3
STROBE/HORNS	96" AFF TOP	TOP
REMOTE ANNUNCIATOR PANEL (RAP)	4'-0" AFF	CL
THERMOSTATS	48" AFF TOP	TOP

1) TYPICAL MOUNTING HEIGHTS ARE LISTED UNLESS NOTED OTHERWISE
 2) BFC-BELOW FINISHED CLG., AFC-ABOVE FINISHED CABINET
 3) FOR MAX 10'-0" CEILINGS, HIGHER CEILINGS MOUNT 9'-0" OR AS DIMENSIONED FROM ARCHITECTURAL ELEVATIONS OR AS DIRECTED BY ENGINEER
 4) CONTRACTOR SHALL REFERENCE ARCHITECTURAL ELEVATIONS FOR FINAL OUTLET MOUNTING HEIGHT AND LOCATION



202.1 CLASSROOM WING SOUTH INTEGRATED COMMUNICATIONS PLAN
 SCALE: 1/8" = 1'-0"

No.
Date

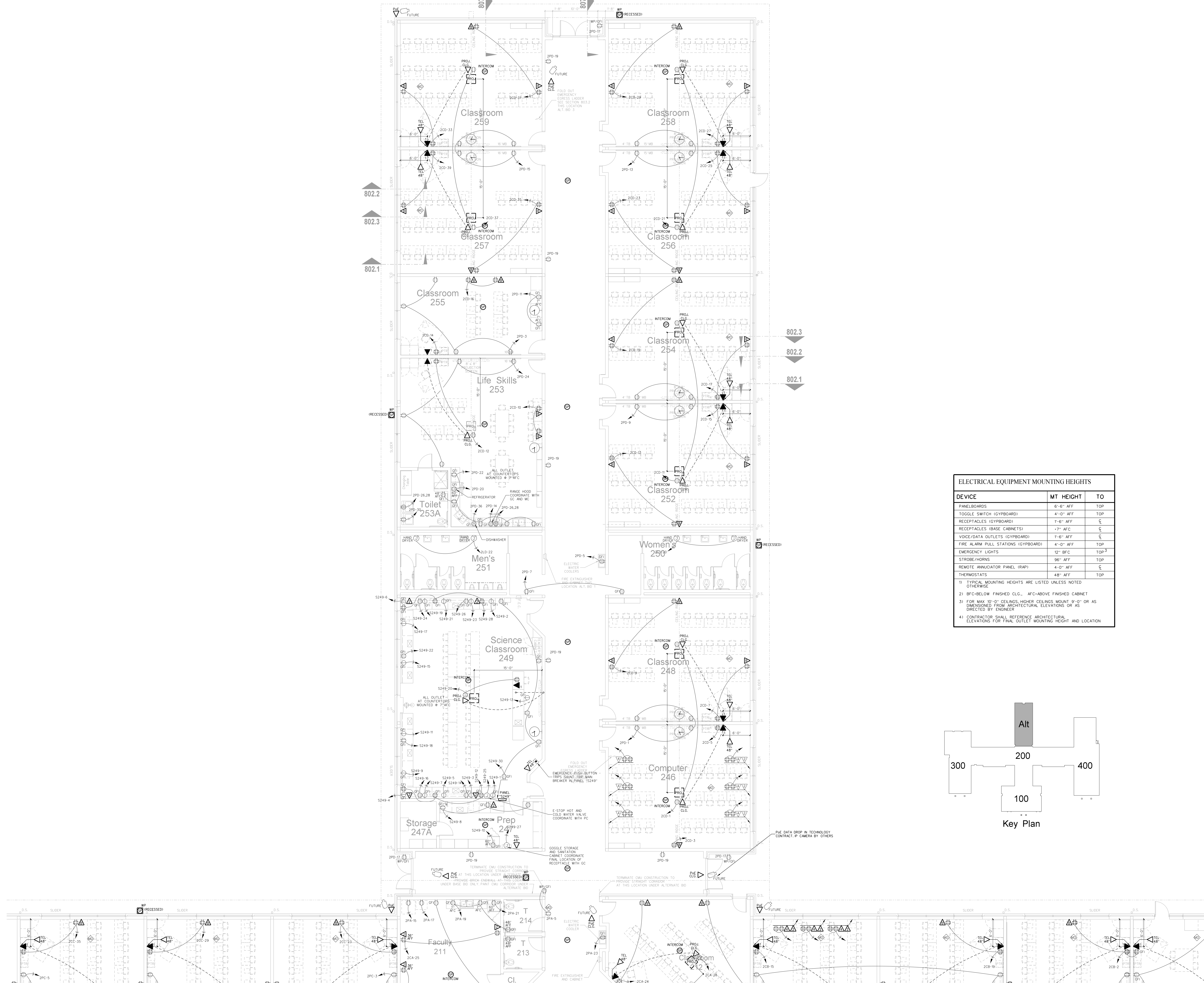
No.
Date

Hite associates
 ARCHITECTURE / ENGINEERING / TECHNOLOGY
 2600 Meridian Drive / Greenville, NC 27834 / Tel (252) 757-0333

HITE ASSOCIATES, P.C.
 REGISTERED PROFESSIONAL ENGINEER
 NUMBER 418
 EXPIRES 12/31/2015

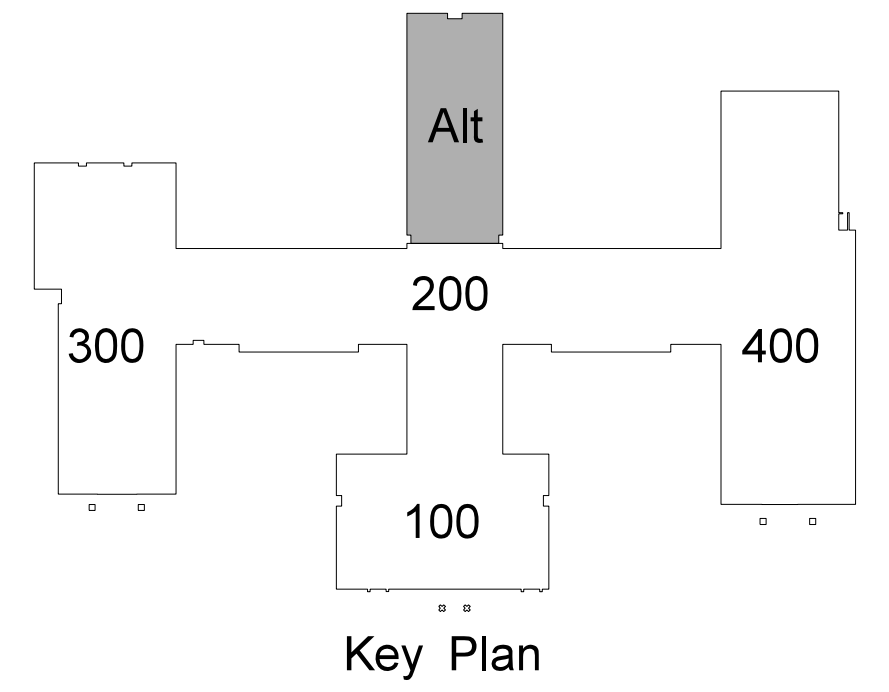
RECORD DRAWING Bertie High School
 Bertie County Schools
 716 US 13 North / NCDPS Unit 080 - School 312
 Windsor / Bertie County / North Carolina

Project No. 21131
 Date: 28 March 2012
 Drawing No. IC 202



DEVICE	MT HEIGHT	TO
PANELBOARDS	6'-6" AFF	TOP
TOGGLE SWITCH (GYPBOARD)	4'-0" AFF	TOP
RECEPTACLES (GYPBOARD)	1'-6" AFF	CL
RECEPTACLES (BASE CABINETS)	-7" AFF	CL
VOICE/DATA OUTLETS (GYPBOARD)	1'-6" AFF	CL
FIRE ALARM PULL STATIONS (GYPBOARD)	4'-0" AFF	TOP
EMERGENCY LIGHTS	12" BFC	TOP
STROBE/HORNS	96" AFF	TOP
REMOTE ANNUNCIATOR PANEL (RAP)	4'-0" AFF	CL
THERMOSTATS	48" AFF	TOP

1) TYPICAL MOUNTING HEIGHTS ARE LISTED UNLESS NOTED OTHERWISE
 2) BFC-BELOW FINISHED CLG., AFC-ABOVE FINISHED CABINET
 3) FOR MAX 12'-0" CEILINGS, HIGHER CEILINGS MOUNT 9'-0" OR AS DIMENSIONED FROM ARCHITECTURAL ELEVATIONS OR AS DIRECTED BY ENGINEER
 4) CONTRACTOR SHALL REFERENCE ARCHITECTURAL ELEVATIONS FOR FINAL OUTLET MOUNTING HEIGHT AND LOCATION



203.1 CLASSROOM WING EAST INTEGRATED COMMUNICATIONS PLAN
 SCALE: 1/8" = 1'-0"

No.
Date

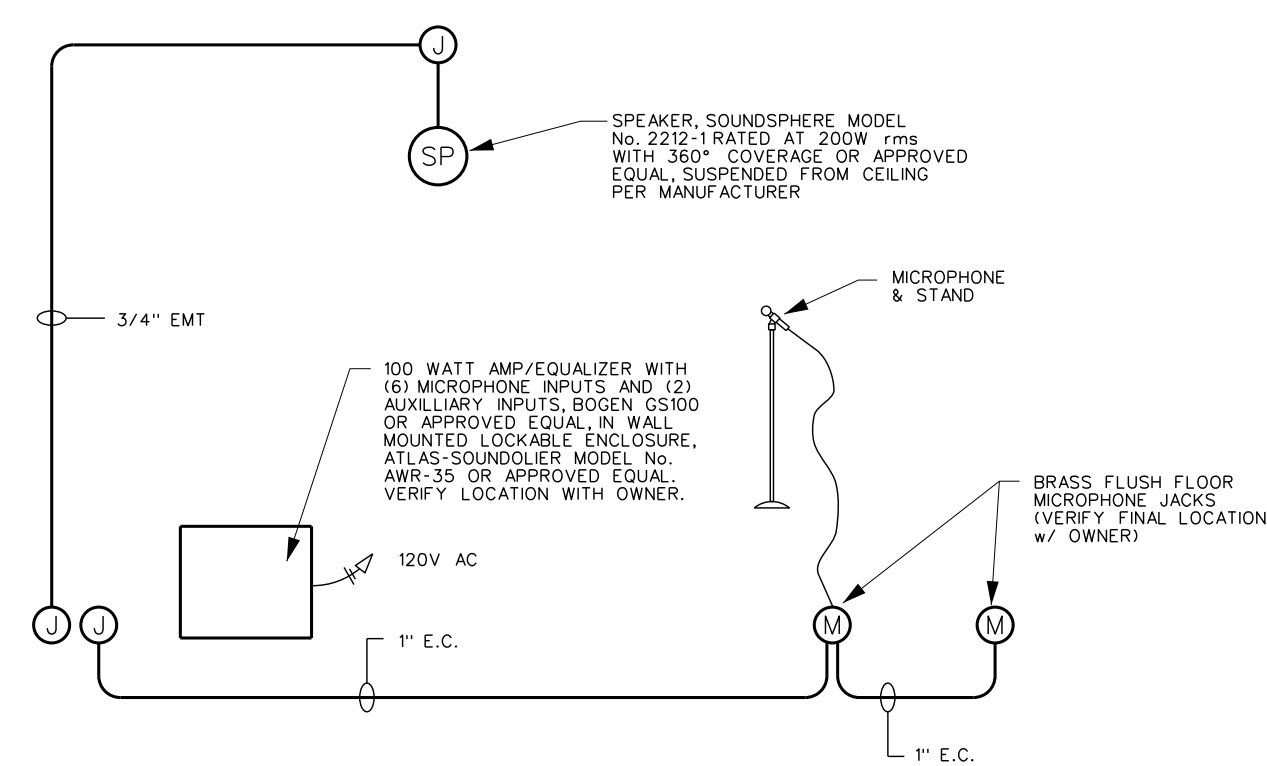
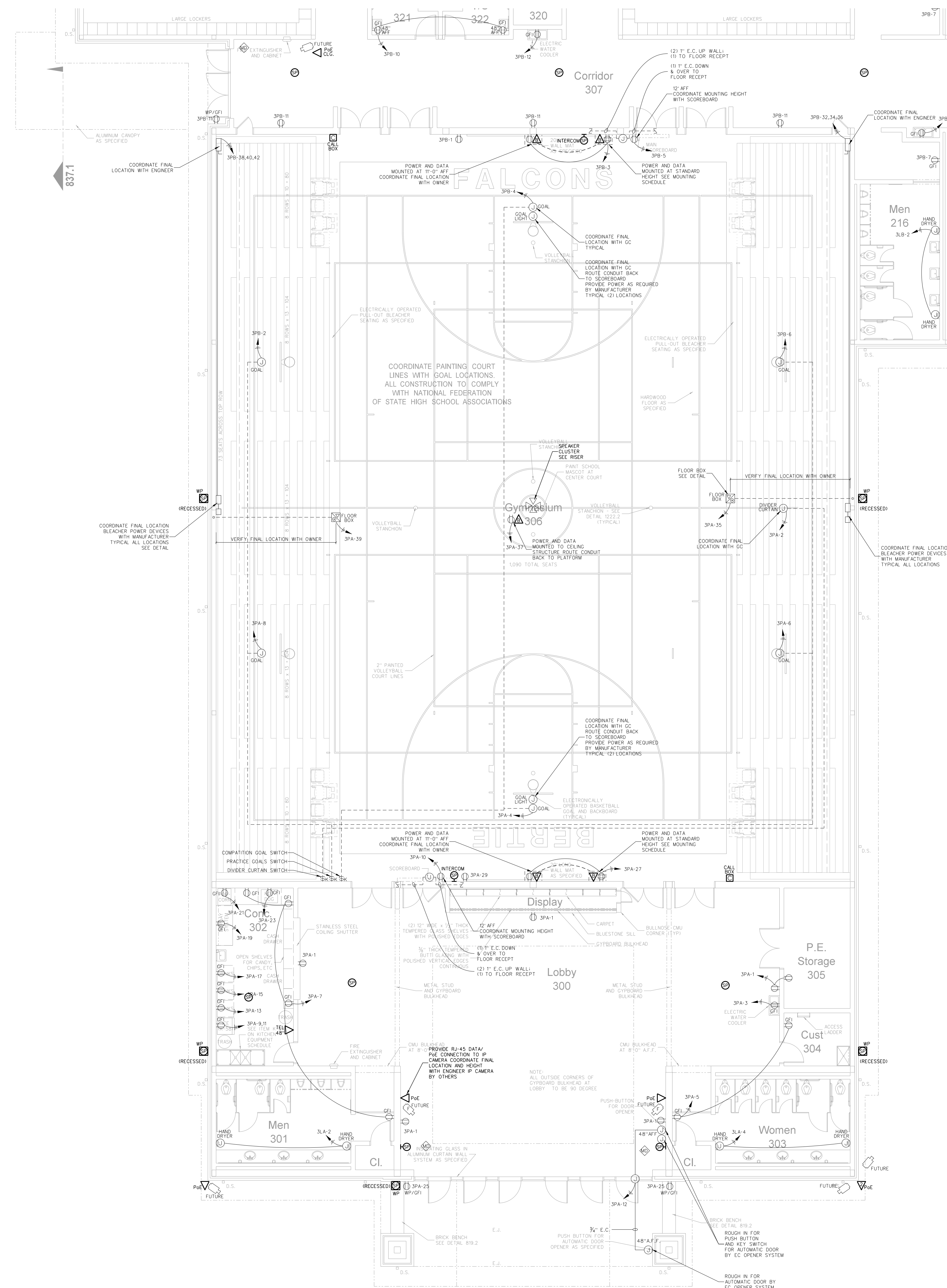
Hite associates
 ARCHITECTURE / ENGINEERING / TECHNOLOGY
 2600 Meridian Drive / Greenville, NC 27834 / tel (252) 757-0333

Project No. 21131
Date: 28 March 2012

Drawing No. IC 203
Project Name: Bertie High School

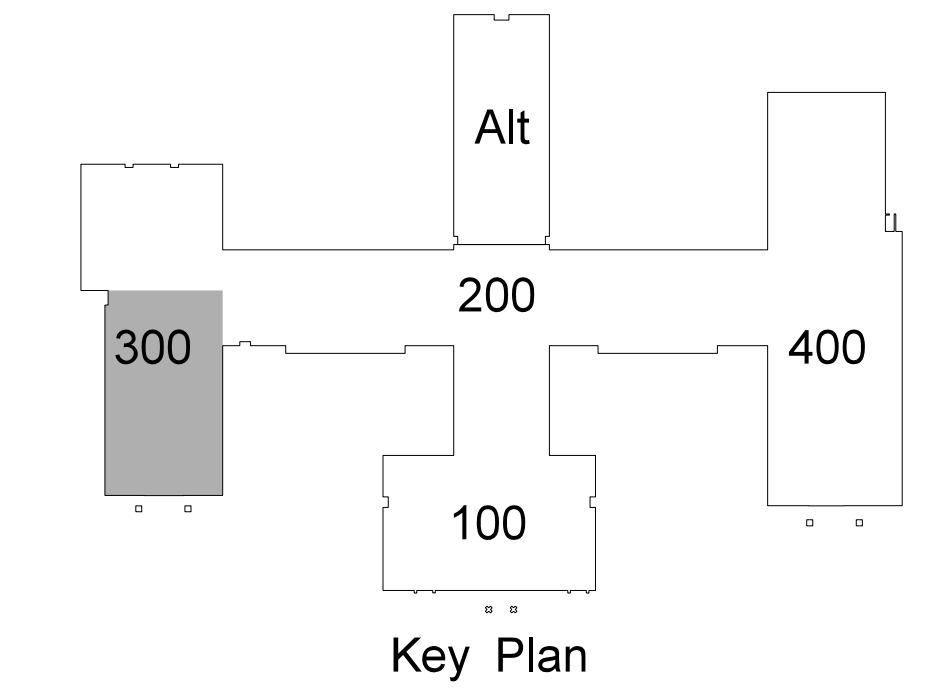
Location: Bertie County Schools
Address: 716 US 13 North / NCDPS Unit 080 - School 312

County: Bertie
State: North Carolina



ELECTRICAL EQUIPMENT MOUNTING HEIGHTS		
DEVICE	MT HEIGHT	TO
PANELBOARDS	6'-6\" AFF	TOP
TORQUE SWITCH (GYRBOARD)	4'-0\" AFF	TOP
RECEPTACLES (GYRBOARD)	1'-4\" AFF	CL
RECEPTACLES (BASE CABINETS)	-3\" AFC	CL
VOICE/DATA OUTLETS (GYRBOARD)	1'-6\" AFF	CL
FIRE ALARM PULL STATIONS (GYRBOARD)	4'-0\" AFF	TOP
EMERGENCY LIGHTS	12\" BFC	TOP ³
STROBE/HORNIS	96\" AFF	TOP
REMOTE ANNUNCIATOR PANEL (RAP)	4'-0\" AFF	CL
THERMOSTATS	48\" AFF	TOP

1) TYPICAL MOUNTING HEIGHTS ARE LISTED UNLESS NOTED OTHERWISE.
 2) BFC=BELOW FINISHED CL., AFC=ABOVE FINISHED CABINET
 3) FOR MAX 10'-0\" CEILINGS, HIGHER CEILINGS MOUNT 9'-0\" OR AS DIMENSIONED FROM ARCHITECTURAL ELEVATIONS OR AS DIRECTED BY ENGINEER
 4) CONTRACTOR SHALL REFERENCE ARCHITECTURAL ELEVATIONS FOR FINAL OUTLET MOUNTING HEIGHT AND LOCATION



301.2 GYMNASIUM PA SYSTEM RISER
SCALE: NONE

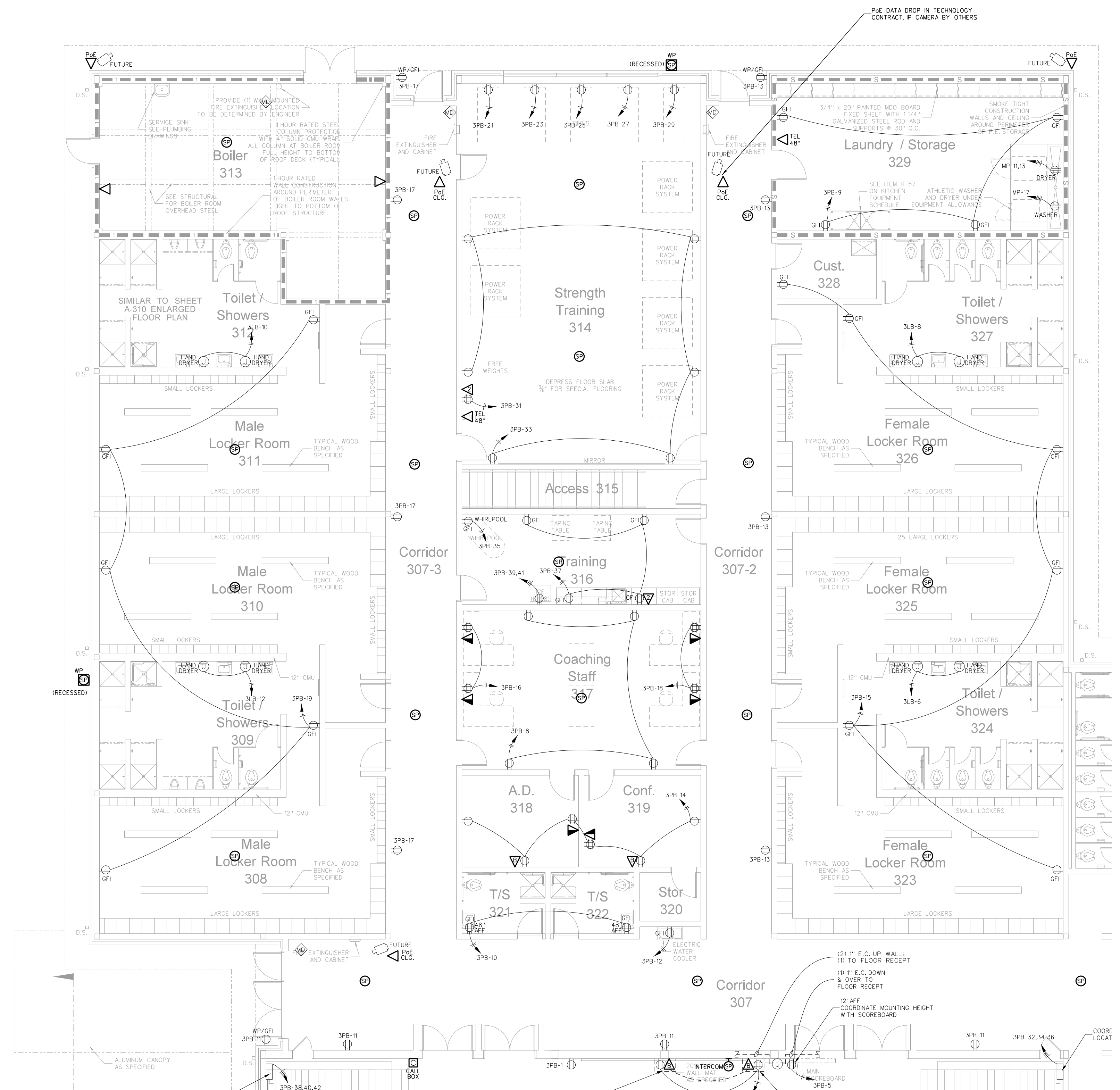
301.1 GYMNASIUM INTEGRATED COMMUNICATIONS PLAN
SCALE: 1/8" = 1'-0"

	No.	Date

Hite associates
 ARCHITECTURE / ENGINEERING / TECHNOLOGY
 2600 Meridian Drive / Greenville, NC 27834 / tel (252) 757-0333

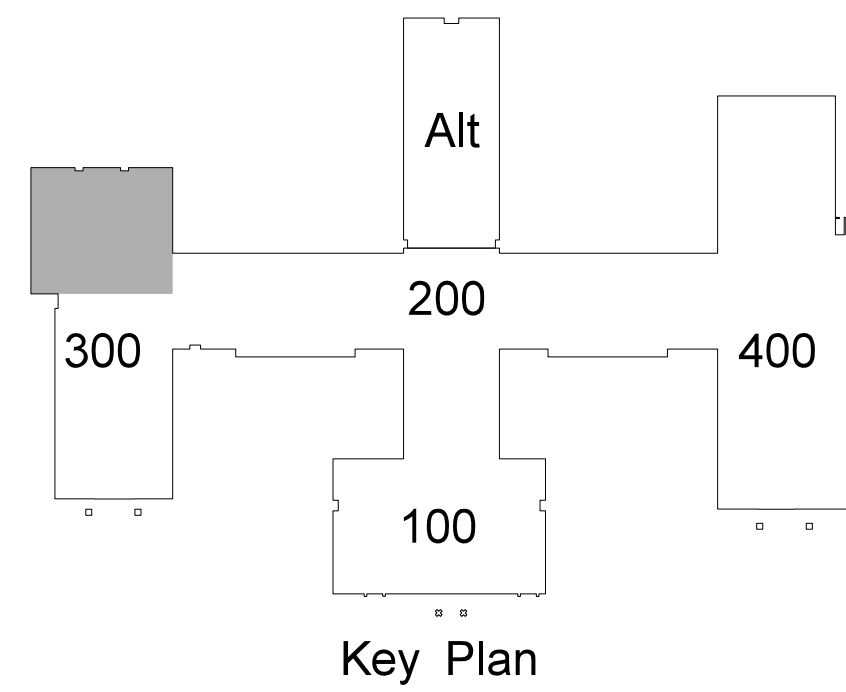
RECORD DRAWING Bertie High School Bertie County Schools 716 US 13 North / NCDPS Unit 080 - School 312 Windsor / Bertie County / North Carolina

Project No. 21131
 Date: 28 March 2012
 Drawing no. IC 301



ELECTRICAL EQUIPMENT MOUNTING HEIGHTS		
DEVICE	MT HEIGHT	TO
PANELBOARDS	8'-6" AFF	TOP
TOGGLE SWITCH (GYBOARD)	4'-0" AFF	TOP
RECEPTACLES (GYBOARD)	1'-6" AFF	CL
RECEPTACLES (BASE CABINETS)	1'-0" AFF	CL
VOICE/DATA OUTLETS (GYBOARD)	1'-6" AFF	CL
FIRE ALARM PULL STATIONS (GYBOARD)	4'-0" AFF	TOP
EMERGENCY LIGHTS	12" BFC	TOP ³⁾
STROBE LIGHTS	96" AFF	TOP
REMOTE ANNUNCIATOR PANEL (RAP)	4'-0" AFF	CL
THERMOSTATS	48" AFF	TOP

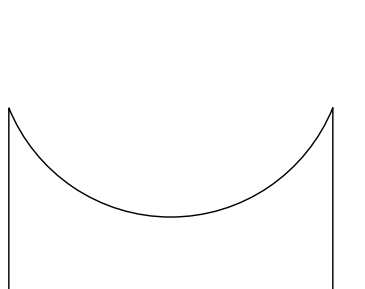
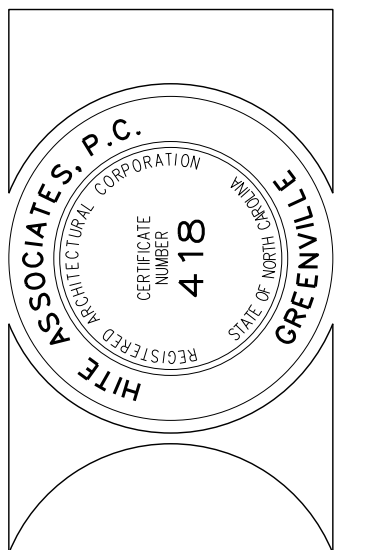
1) TYPICAL MOUNTING HEIGHTS ARE LISTED UNLESS NOTED OTHERWISE
 2) BFC=BELOW FINISHED CLG., AFC=ABOVE FINISHED CABINET
 3) FOR MAX 10'-0" CEILINGS, HIGHER CEILINGS MOUNT 9'-0" OR AS DIMENSIONED FROM ARCHITECTURAL ELEVATIONS OR AS DIRECTED BY ENGINEER
 4) CONTRACTOR SHALL REFERENCE ARCHITECTURAL ELEVATIONS FOR FINAL OUTLET MOUNTING HEIGHT AND LOCATION



302.1 LOCKER ROOM / BOILER ROOM INTEGRATED COMMUNICATIONS PLAN
 SCALE: 1/8" = 1'-0"

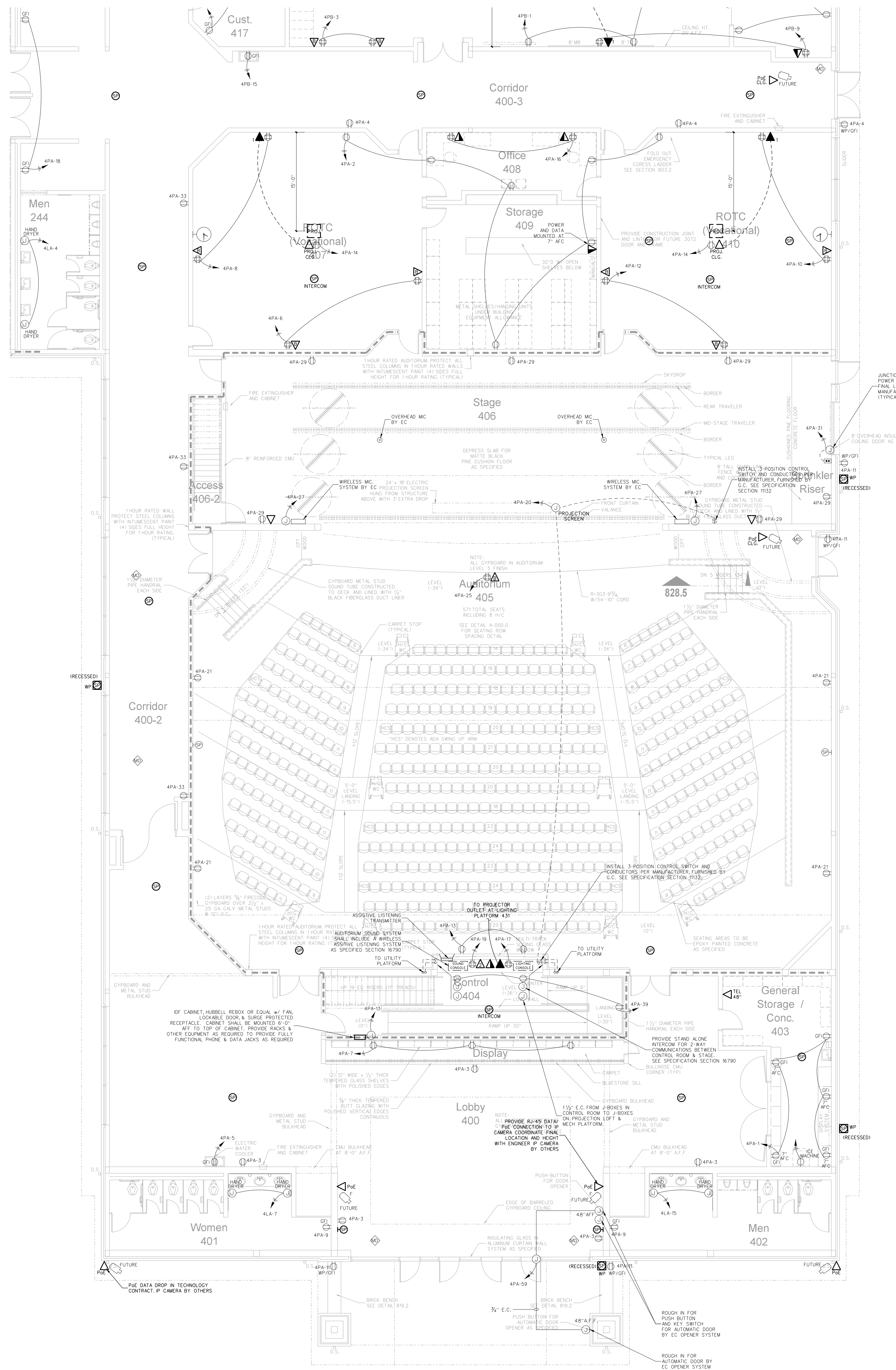
No.	Date	Revision

Hite associates
 ARCHITECTURE / ENGINEERING / TECHNOLOGY
 2600 Meridian Drive / Greenville, NC 27834 / tel (252) 757-0333



RECORD DRAWING
New Bertie High School
 Bertie County Schools
 716 US 13 North / NCDPS Unit 080 - School 312
 Windsor / Bertie County / North Carolina

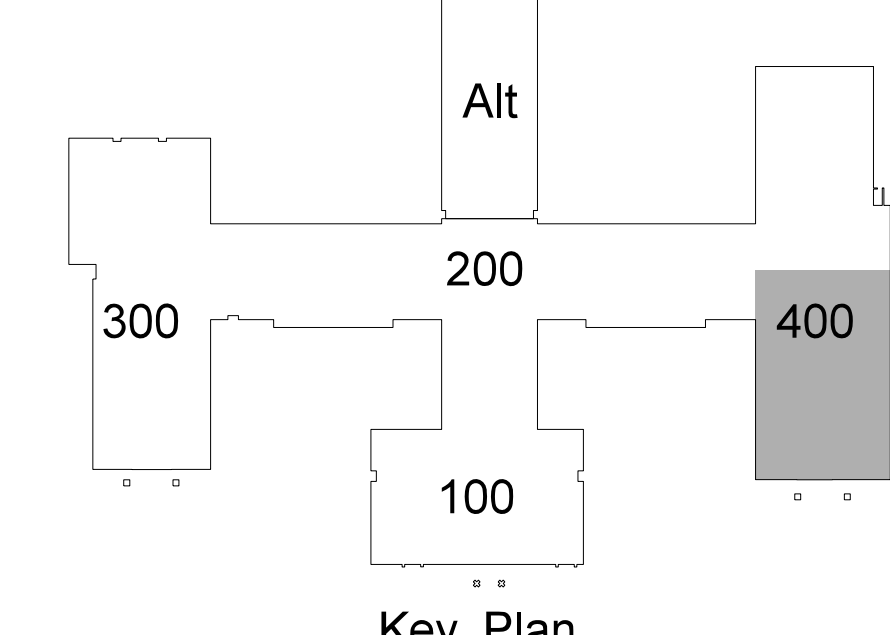
Project No. 21131
 Date: 28 March 2012
 Drawing No. **IC 302**



ELECTRICAL EQUIPMENT MOUNTING HEIGHTS

DEVICE	MT HEIGHT	TO
PANELBOARDS	6'-6" AFF	TOP
TOGGLE SWITCH (GYBOARD)	4'-0" AFF	TOP
RECEPTACLES (GYBOARD)	1'-6" AFF	CL
RECEPTACLES (BASE CABINET)	7'-7" AFF	CL
VOICE/DATA OUTLETS (GYBOARD)	1'-6" AFF	CL
FIRE ALARM PULL STATIONS (GYBOARD)	4'-0" AFF	TOP
EMERGENCY LIGHTS	12" BFC	TOP
STROBE/HORN	96" AFF	TOP
REMOTE ANNUNCIATOR PANEL (RAP)	4'-0" AFF	CL
THERMOSTATS	48" AFF	TOP

1) TYPICAL MOUNTING HEIGHTS ARE LISTED UNLESS NOTED OTHERWISE
 2) BFC-BELOW FINISHED CLG., AFC-ABOVE FINISHED CABINET
 3) FOR MAX 30'-0" CEILINGS, HIGHER CEILINGS MOUNT 9'-0" OR AS DIMENSIONED FROM ARCHITECTURAL ELEVATIONS OR AS DIRECTED BY ENGINEER
 4) CONTRACTOR SHALL REFERENCE ARCHITECTURAL ELEVATIONS FOR FINAL OUTLET MOUNTING HEIGHT AND LOCATION



401.1 THEATER INTEGRATED COMMUNICATIONS PLAN

SCALE: 1/8" = 1'-0"

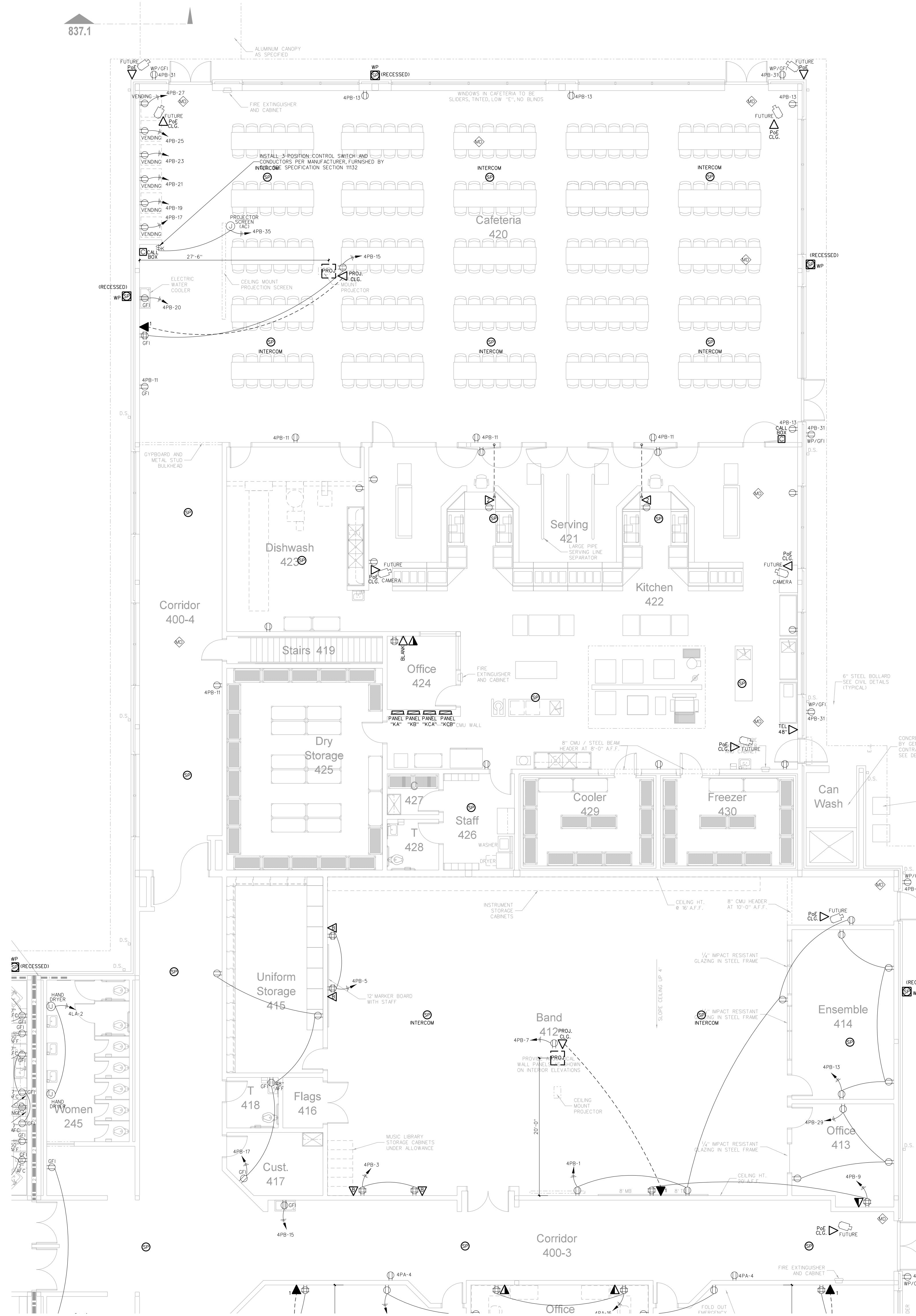
Project No. 21131
 Date: 28 March 2012
 Drawing No. IC 401

Hite associates
 ARCHITECTURE / ENGINEERING / TECHNOLOGY
 2600 Meridian Drive / Greenville, NC 27834 / Tel (252) 757-0333

RECORD DRAWING
 Bertie County Schools
 716 US 13 North / NCDPS Unit 080 - School 312
 Windsor / Bertie County / North Carolina

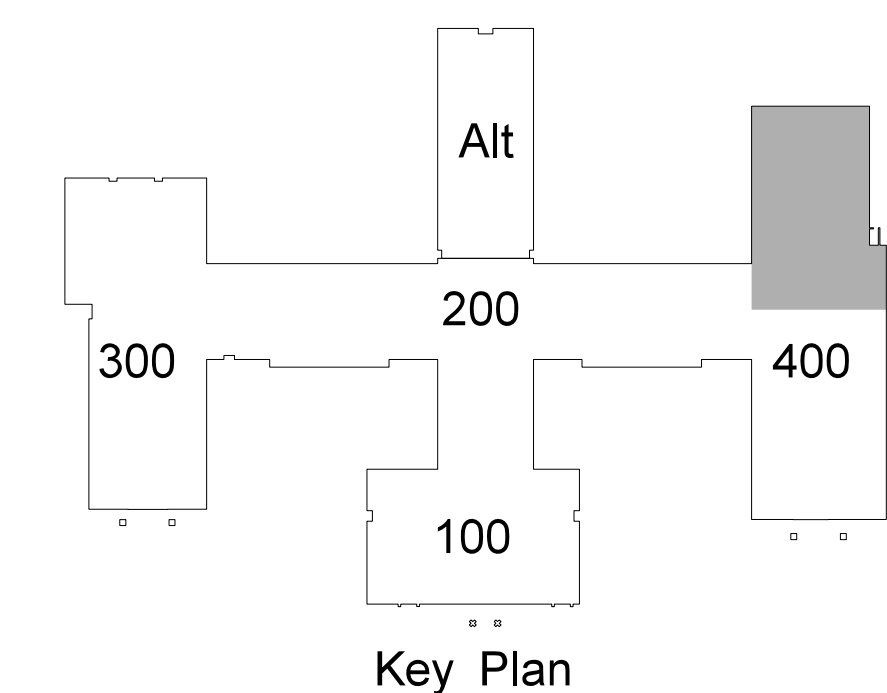
REVISIONS

No.	Date	Revision



DEVICE	MT	HEIGHT	TO
PANELBOARDS	6'-6"	AFF	TOP
TOGGLE SWITCH (GYPBOARD)	4'-0"	AFF	TOP
RECEPTACLES (GYPBOARD)	1'-6"	AFF	⊕
RECEPTACLES (BASE CABINETS)	1'-7"	AFC	⊕
VOICE/DATA OUTLETS (GYPBOARD)	1'-6"	AFF	⊕
FIRE ALARM PULL STATIONS (GYPBOARD)	4'-0"	AFF	TOP
EMERGENCY LIGHTS	12"	BFC	TOP-3
STROBE/HORNS	86"	ASF	TOP
REMOTE ANNUNCIATOR PANEL (RAP)	4'-0"	AFF	⊕
THERMOSTATS	48"	AFF	TOP

1) TYPICAL MOUNTING HEIGHTS ARE LISTED UNLESS NOTED OTHERWISE
 2) BFC=BELOW FINISHED CLG., AFC=ABOVE FINISHED CABINET
 3) FOR MAX 10'-0" CEILINGS, HIGHER CEILINGS MOUNT 9'-0" OR AS DIMENSIONED FROM ARCHITECTURAL ELEVATIONS OR AS DIRECTED BY ENGINEER
 4) CONTRACTOR SHALL REFERENCE ARCHITECTURAL ELEVATIONS FOR FINAL OUTLET MOUNTING HEIGHT AND LOCATION



402.1 BAND/CAFETERIA / KITCHEN INTEGRATED COMMUNICATIONS PLAN
 SCALE: 1/8" = 1'-0"

No.	Date

Hite associates

ARCHITECTURE / ENGINEERING / TECHNOLOGY

2600 Meridian Drive / Greenville, NC 27834 / tel (252) 757-0333

HITE ASSOCIATES, P.C.
 REGISTERED PROFESSIONAL ENGINEER
 NUMBER
418
 STATE OF NORTH CAROLINA

RECORD DRAWING

New Bertie High School

Bertie County Schools

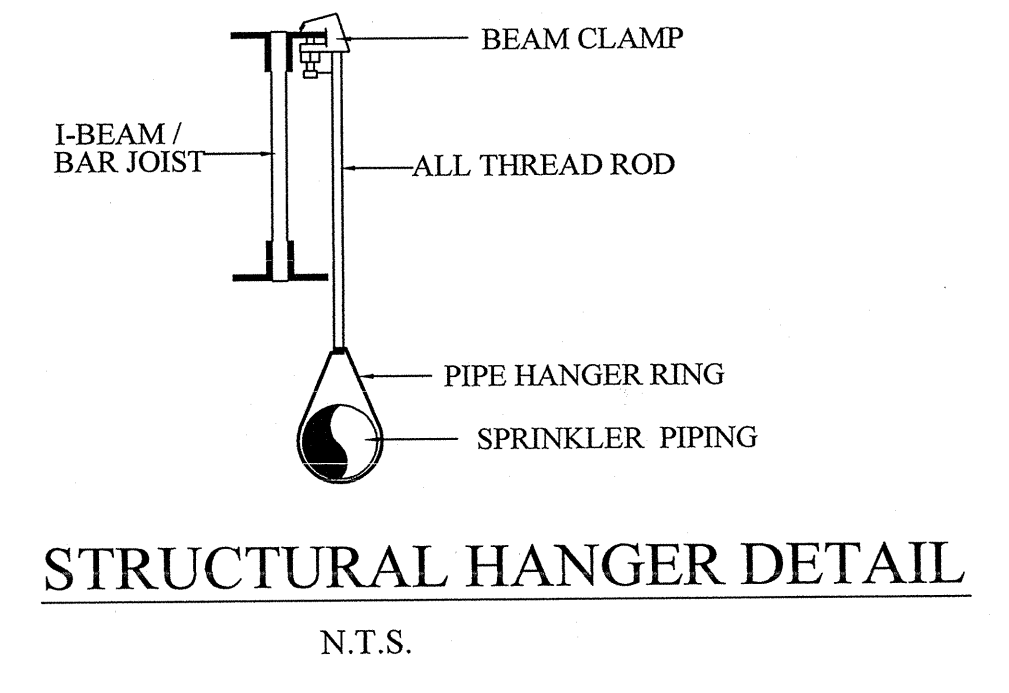
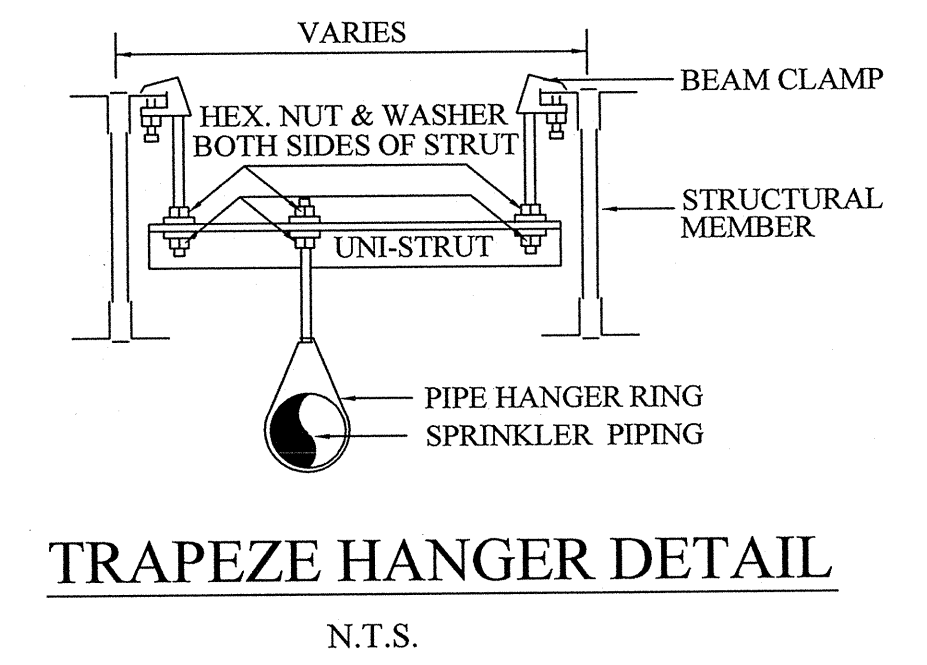
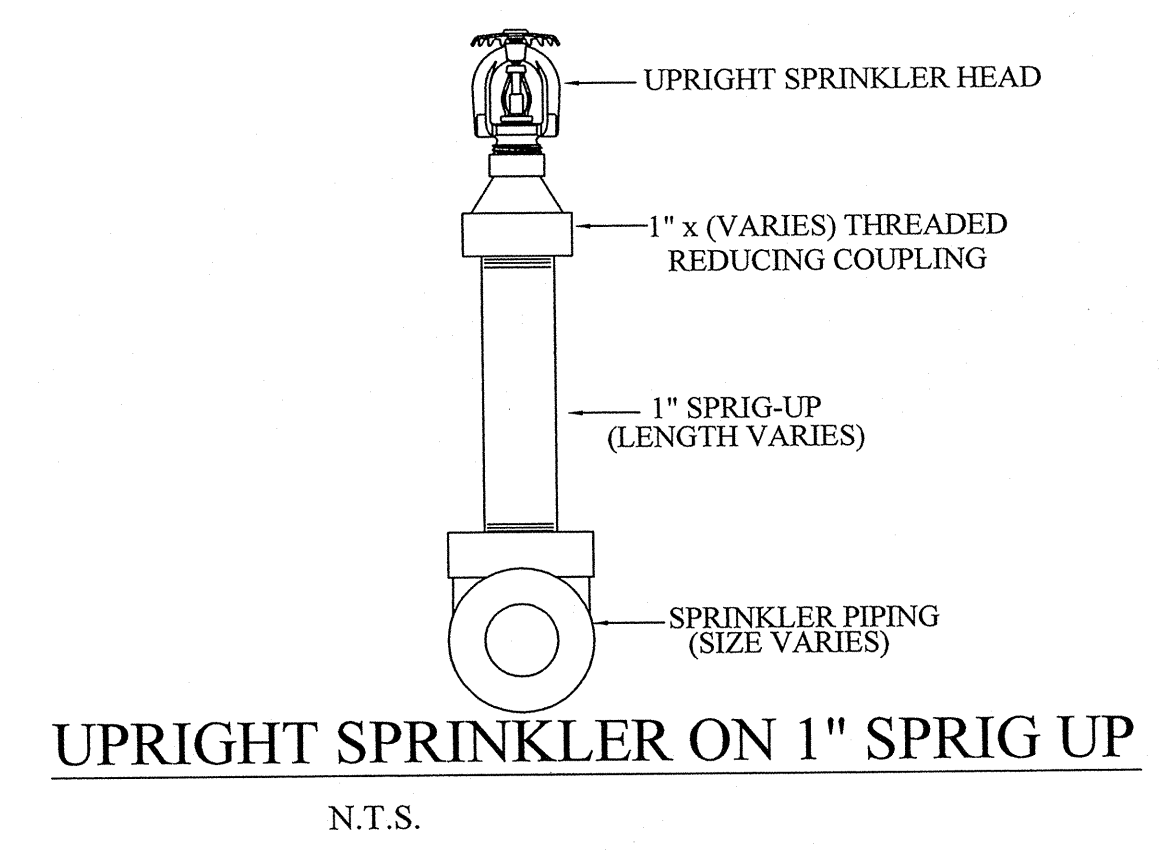
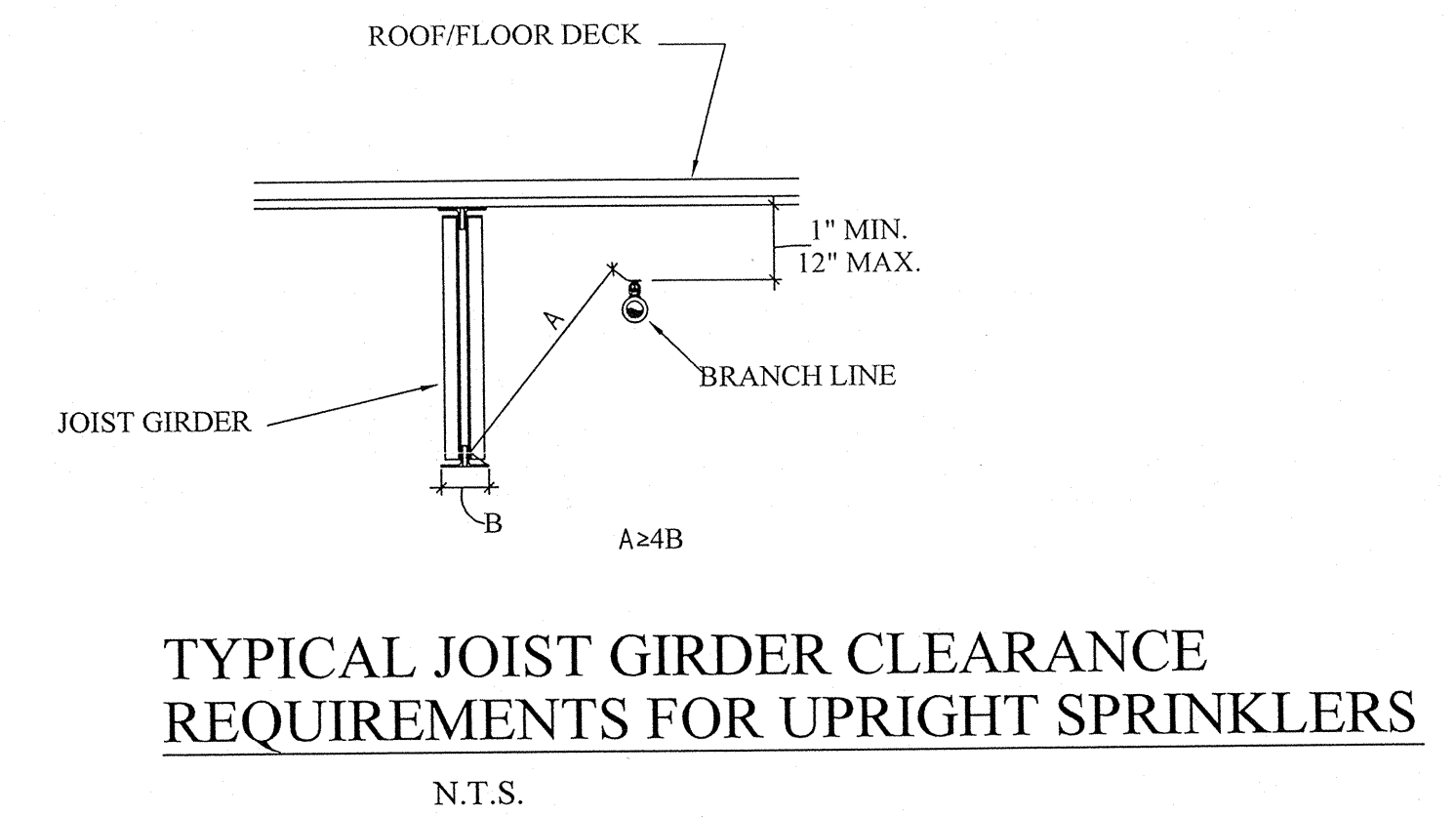
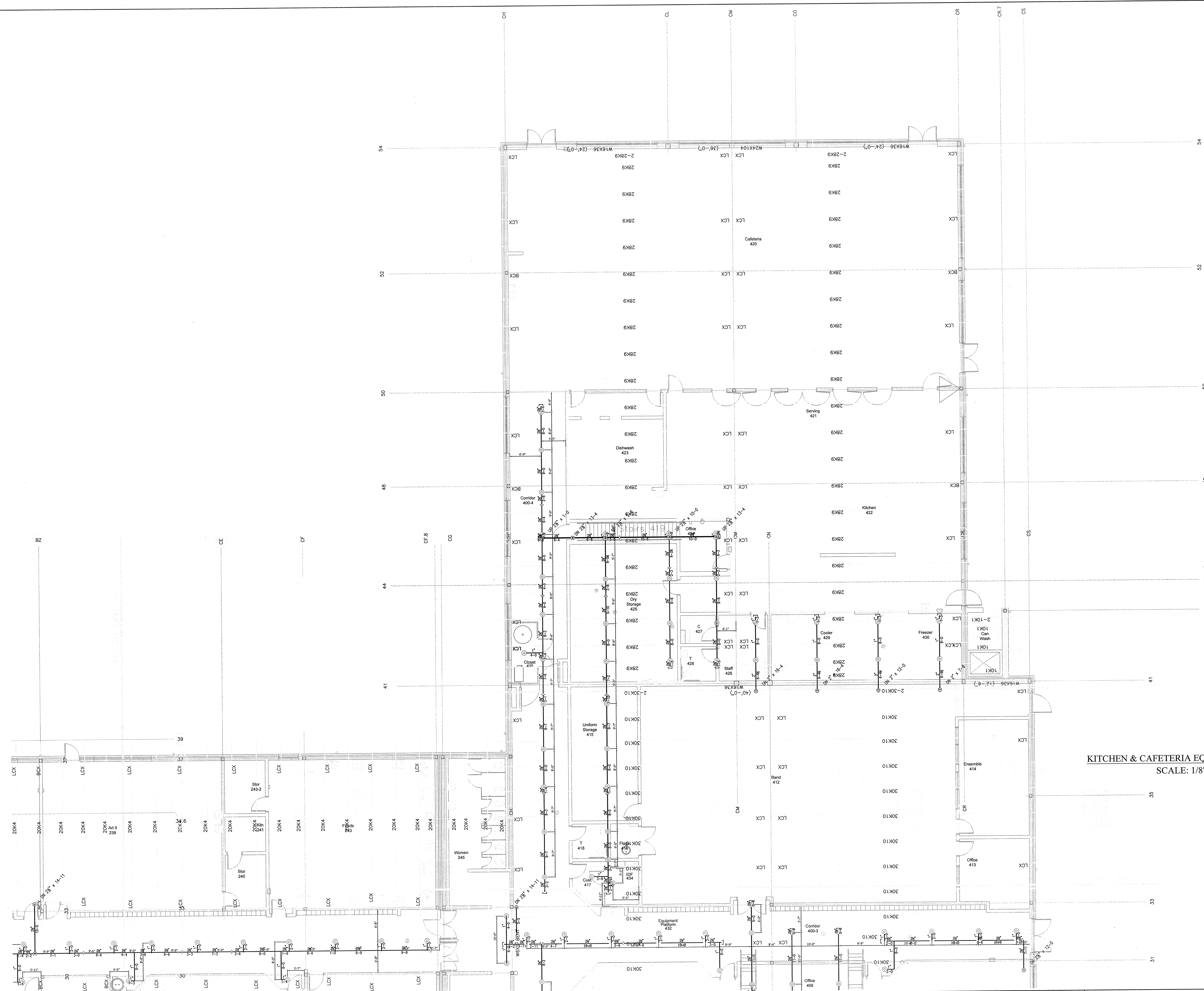
Unit 080 - School 3112

716 US 13 North / NCDPS / Bertie County / North Carolina

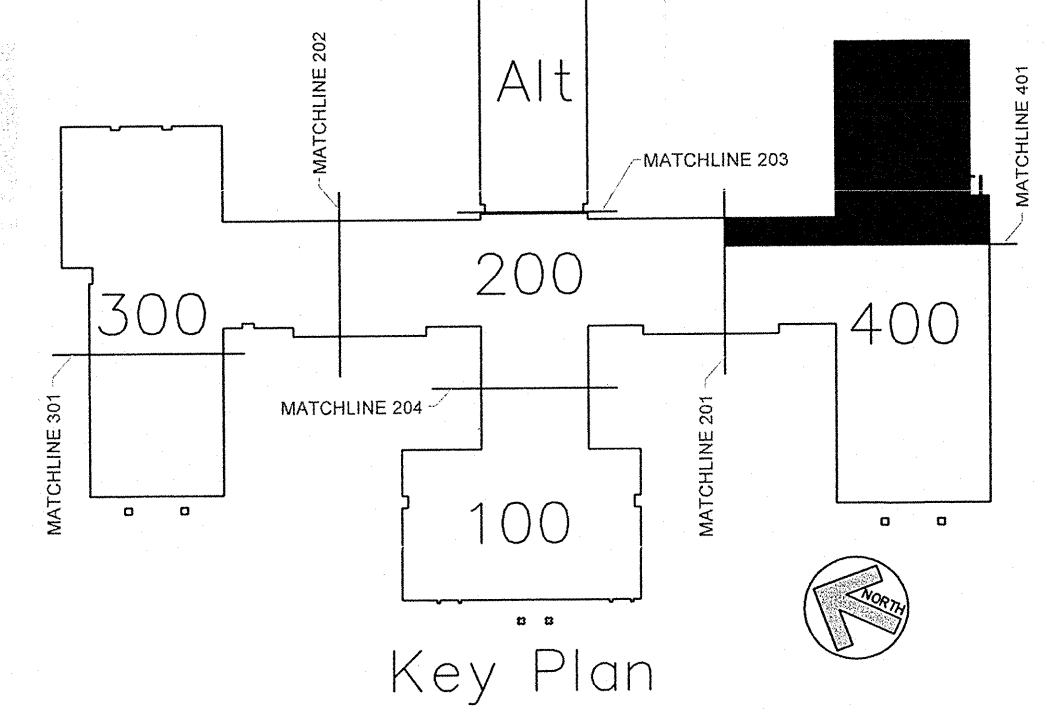
Project No. 21131

Date: 28 March 2012

Drawing no. **IC 402**



KITCHEN & CAFETERIA EQUIPMENT PLATFORM FIRE PROTECTION LAYOUT PLAN
SCALE: 1/8" = 1'-0"



AS BUILT DRAWINGS
2-10-2014

PLAN NORTH

N.C. LICENSE NO. PFS-13628

APPROVING AGENCIES

APPROVING AUTHORITY: BERTIE COUNTY FIRE MARSHALL

UNDERWRITER: N.C. DEPT. OF INSURANCE

GENERAL CONTRACTOR: WIMCO CONSTRUCTION
ADDRESS: 2533 W. 5th STREET
CITY & STATE: WASHINGTON, NC 27889-0078

PHONE NO.: 252-946-5175
FAX NO.: 252-946-4943

This fire sprinkler planning and design drawing has been prepared by Phoenix Fire Protection, Inc. as a licensed fire sprinkler contractor under Article 2 of Chapter 87 of the General Statutes for Phoenix Fire Protection, Inc.'s exclusive use pursuant to G.S. §89C-25(8), and Phoenix Fire Protection s must perform any and all installation work and other work performed in reliance on this drawing pursuant to G.S. §55B-15(a)(2). Installation work or any other work performed by any other person or entity in reliance on this drawing or any copy thereof is strictly prohibited. © 2010 Phoenix Fire Protection, Inc.

REVISIONS			
#	DATE	DESCRIPTION	BY
1	2/20/2013	ISSUE FOR SUBMITTAL	SHG
2	4/11/2013	PROVIDE COVERAGE UNDER CATWALK	SHG
PER DOI COMMENTS			

SPRINKLER SUMMARY											
SYM	TYPE	FINISH	TEMP	ORIF	"K"	NPT	MANUF.	SNR	ESCU/CHG	QTY.	1004
OR CONCEALED	BRASS	175°	1/2"	5.6	1/2"	GLOBE	GL5000	155° WHITE COVERPLATE	1004	318	
OR UPRIGHT	BRASS	175°	1/2"	5.6	1/2"	GLOBE	GL5615	N/A	N/A	97	
OR UPRIGHT	WHITE	175°	1/2"	5.6	1/2"	GLOBE	GL5615	N/A	N/A	32	
OR UPRIGHT	WHITE	175°	1/2"	5.6	1/2"	GLOBE	GL5615	N/A	N/A	7	
OR DRY CONCEALED	BRASS	175°	1/2"	5.6	1/2"	GLOBE	GL5637	155° WHITE COVERPLATE	1		
OR DRY CONCEALED	WHITE	175°	1/2"	5.6	1/2"	GLOBE	GL5641	WHITE RECESSED	1		
OR UPRIGHT	BRASS	175°	1/2"	5.6	1/2"	GLOBE	GL5615	N/A	N/A	7	
OR HOR. SIDEWALL	WHITE	175°	1/2"	5.6	1/2"	GLOBE	GL5626	WHITE RECESSED	1		
TOTAL SPRINKLERS THIS PROJECT											1484
TOTAL SPRINKLERS THIS DRAWING											1484

JOB # C20-12

DATE: 2-20-2013

SCALE: AS NOTED

DRAWN BY: SHG

CHK. BY: MRS. MELVIN RANDALL STROTHER

PHOENIX FIRE PROTECTION, INC.
P.O. BOX 2881
2863 LEE AVENUE
SAINTFORD, N.C. 27332
PHONE: (919) 774-3042 FAX: (919) 774-1492

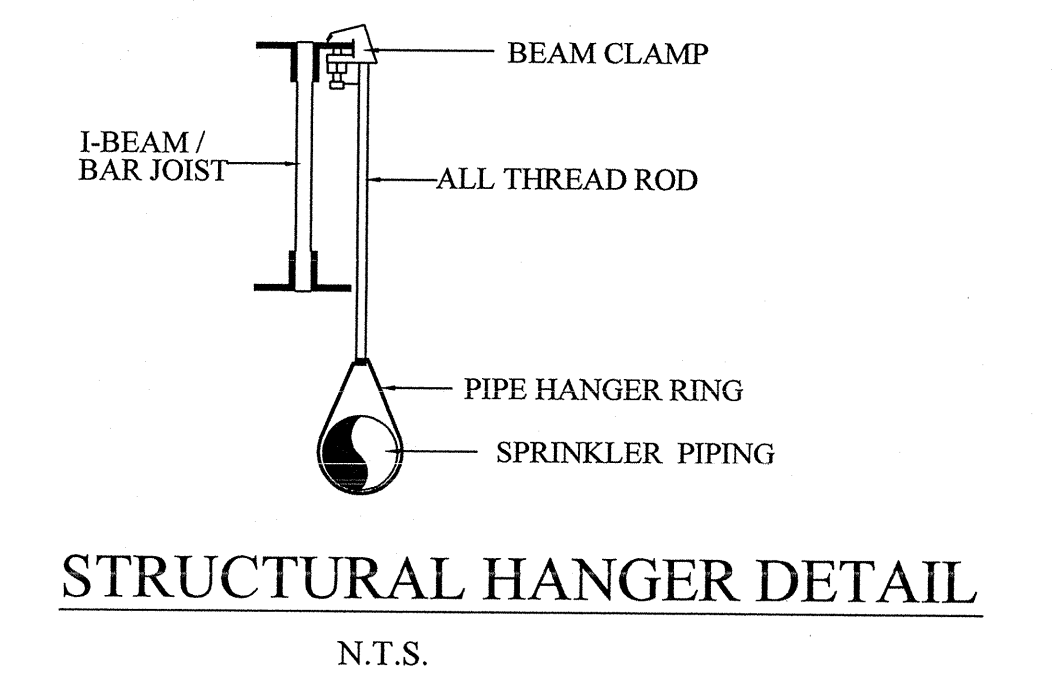
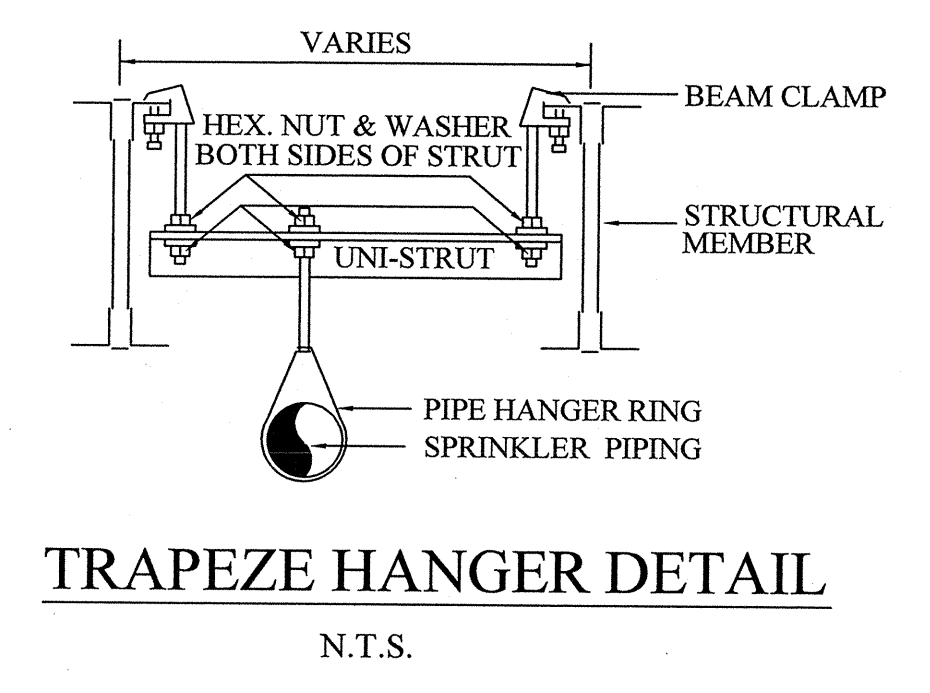
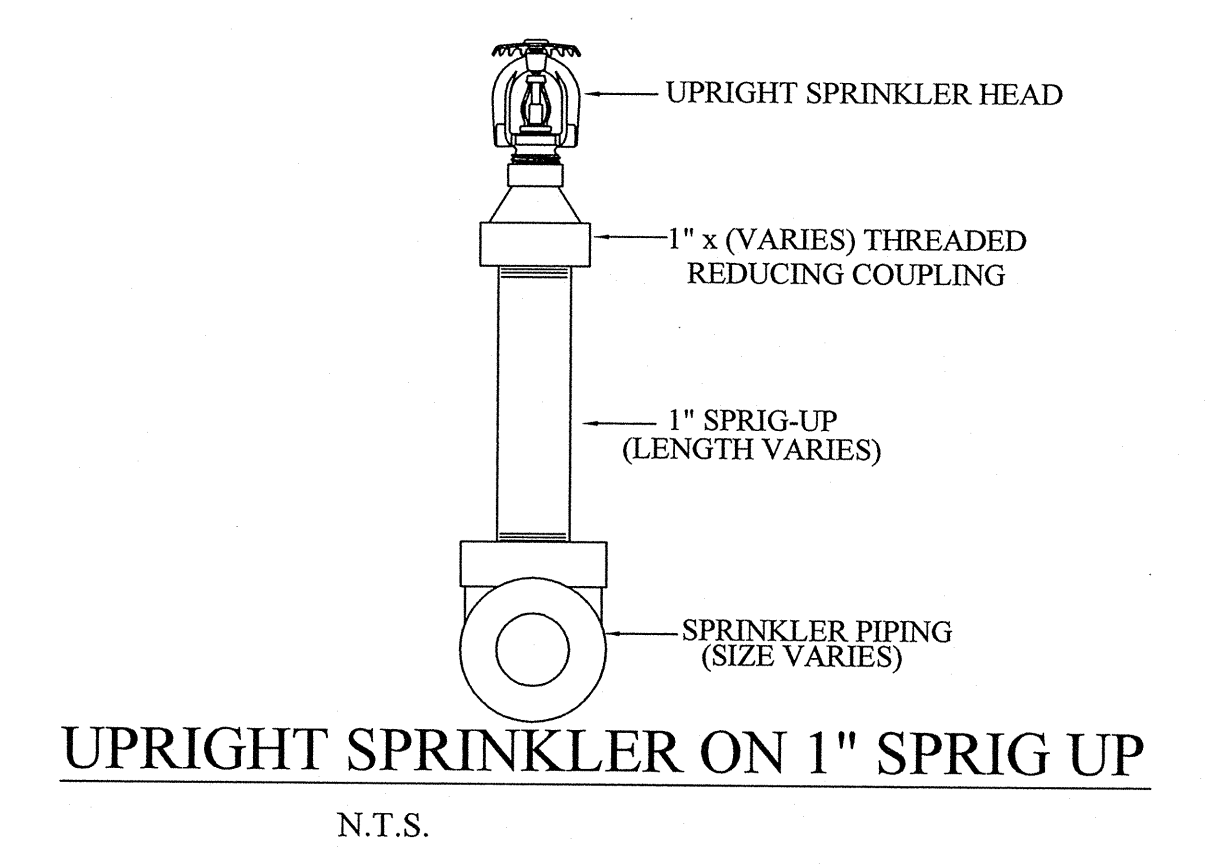
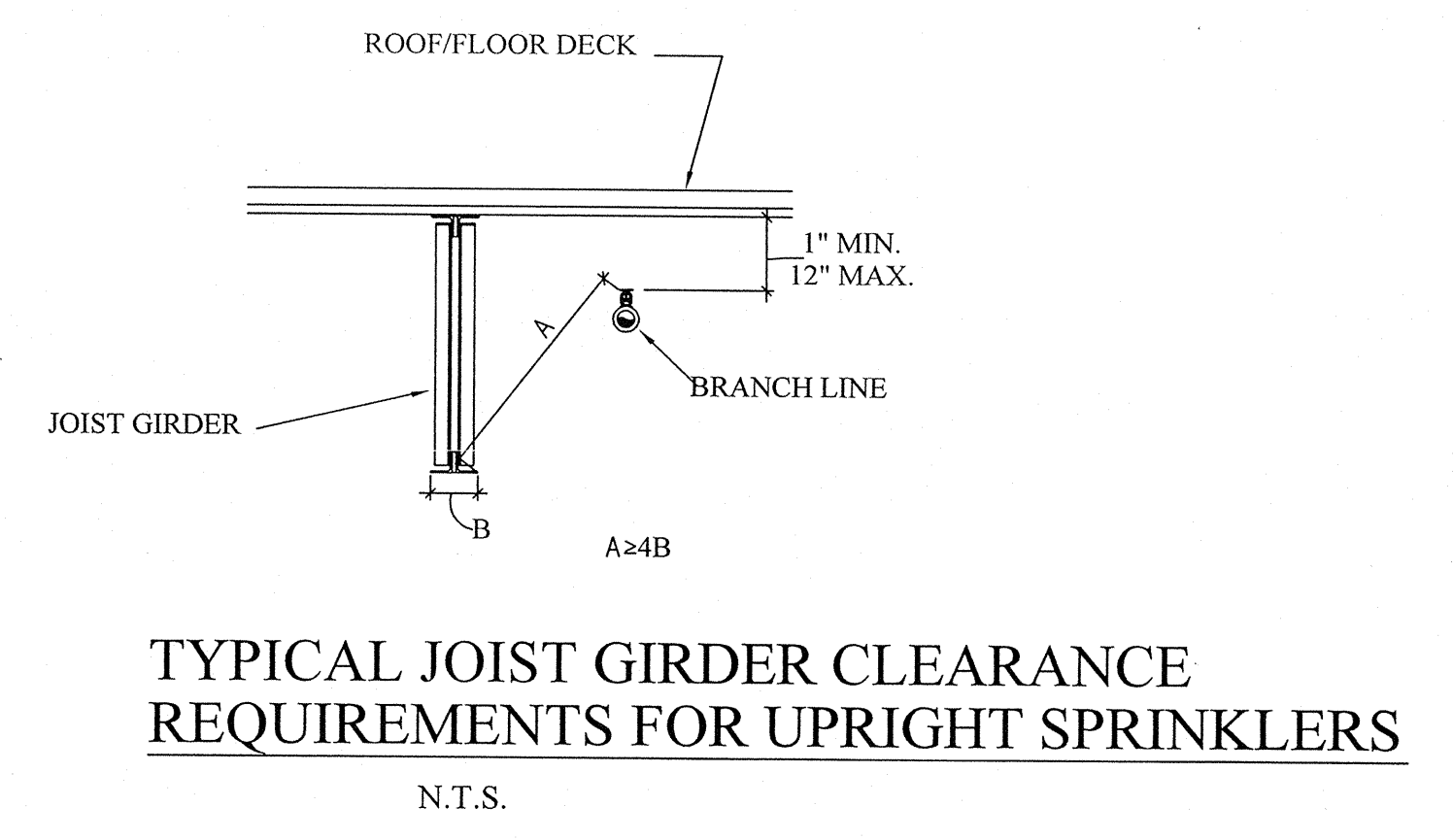
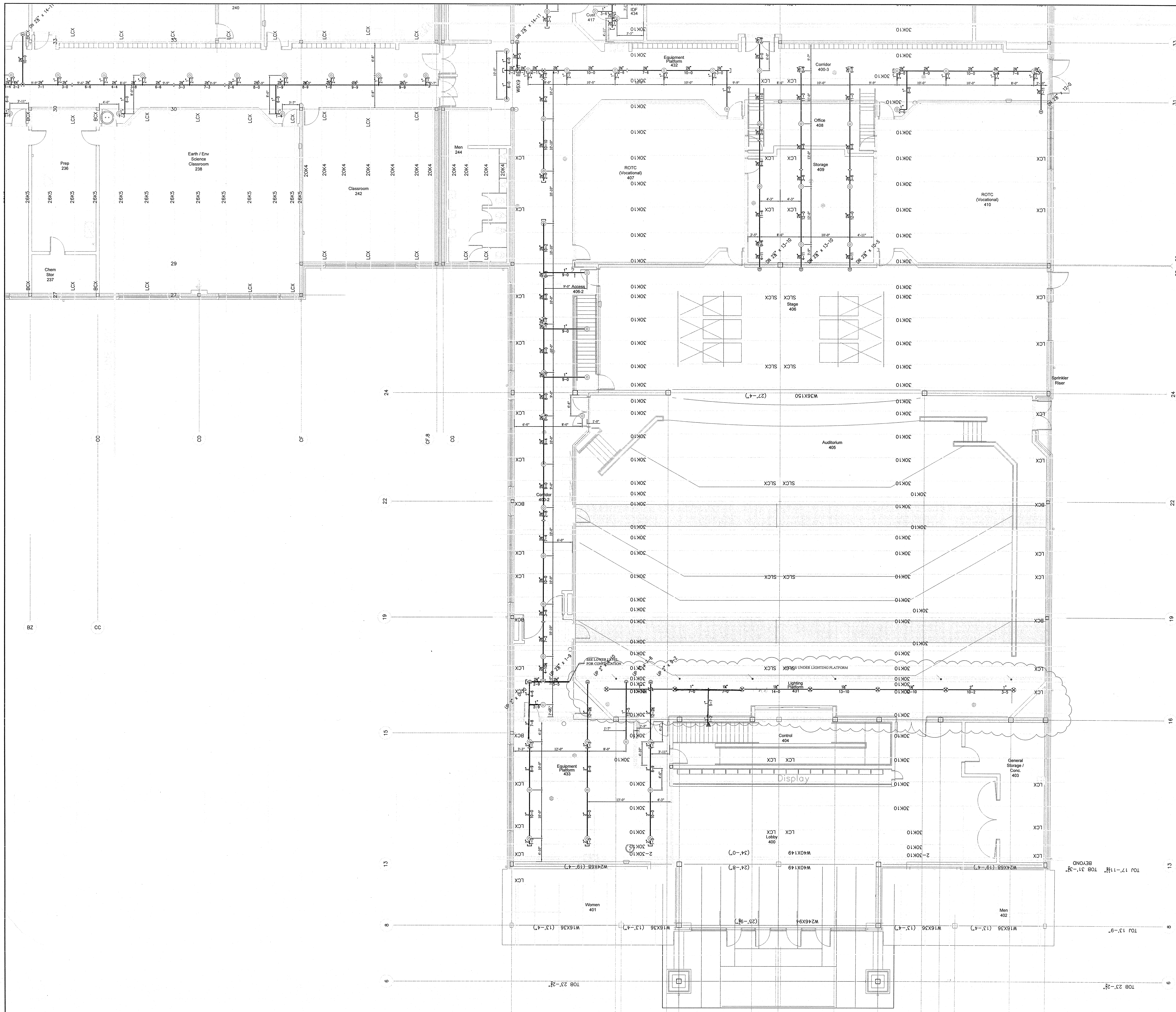
FIRE PROTECTION

NEW BERTIE HIGH SCHOOL
716 US 13 NORTH
WINDSOR, NORTH CAROLINA

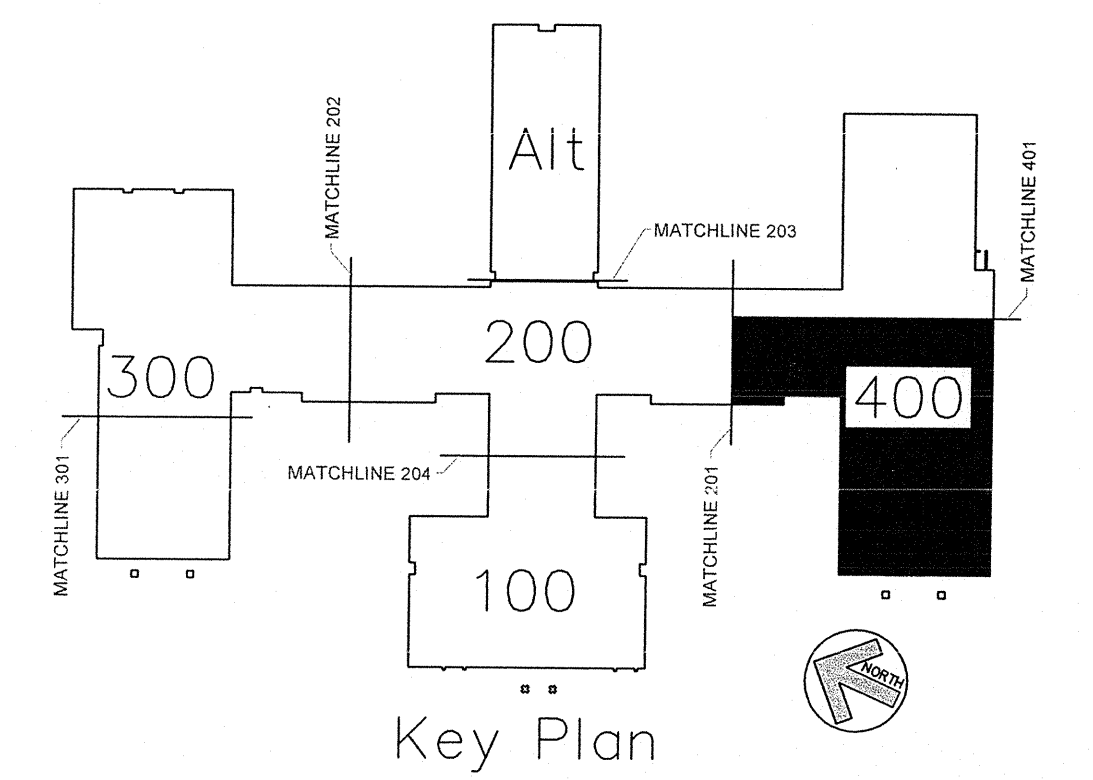
DATE: 2-18-14

SHEET NO. FP-21 OF 22

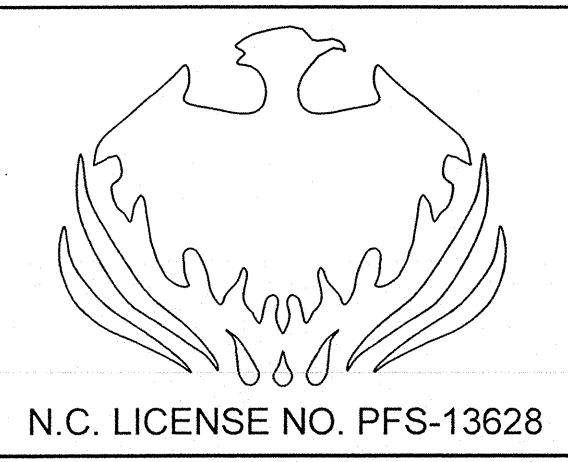
Chris Mohr



THEATER EQUIPMENT PLATFORM FIRE PROTECTION LAYOUT PLAN
SCALE: 1/8" = 1'-0"



AS BUILT DRAWINGS
2-10-2014



APPROVING AGENCIES
APPROVING AUTHORITY: BERTIE COUNTY FIRE MARSHALL
UNDERWRITER: N.C. DEPT. OF INSURANCE
GENERAL CONTRACTOR: WIMCO CONSTRUCTION
ADDRESS: 2533 W. 5th STREET
CITY & STATE: WASHINGTON, NC 27889-9078
PHONE NO.: 252-946-5175
FAX NO.: 252-946-4943

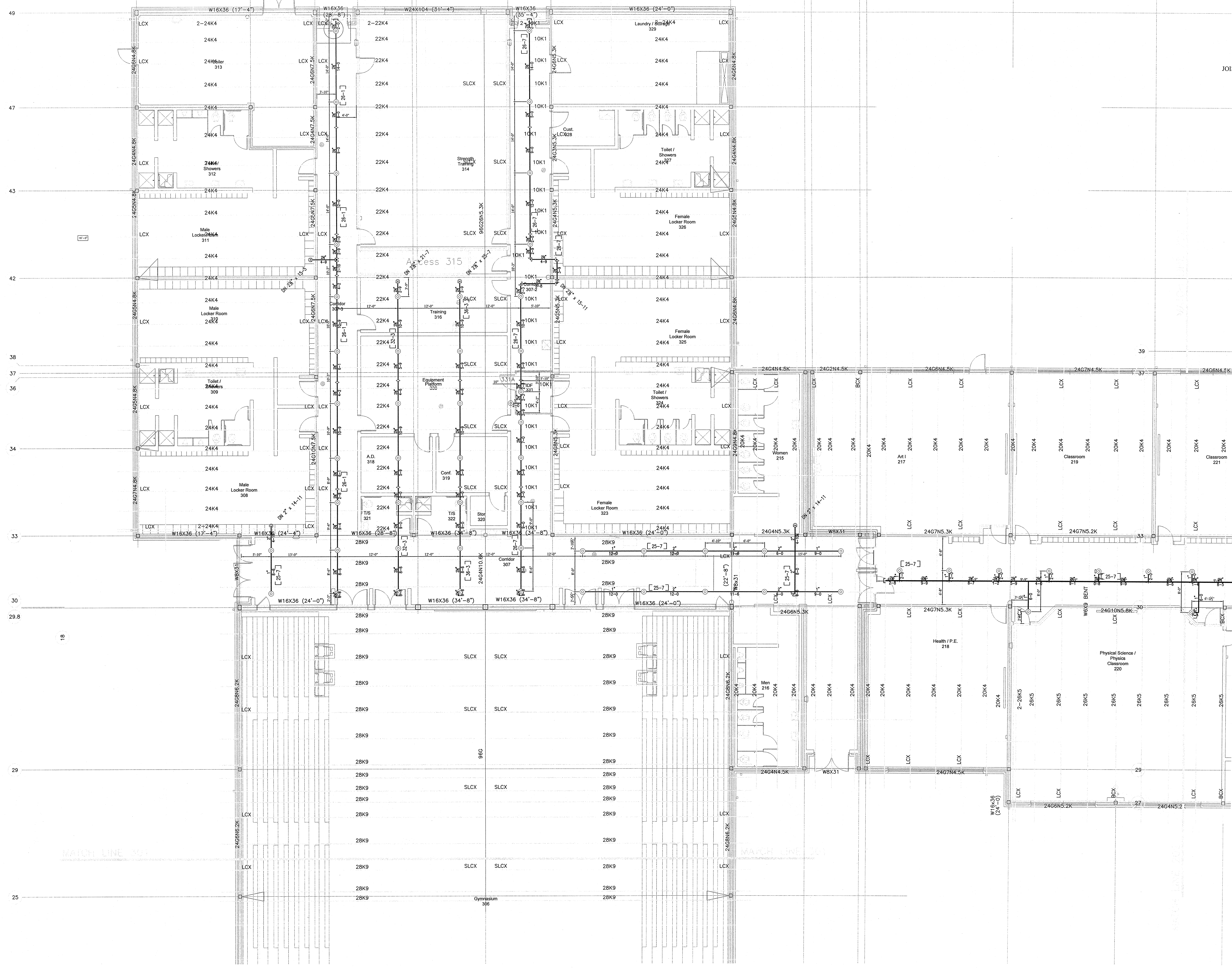
This fire sprinkler planning and design drawing has been prepared by Phoenix Fire Protection, Inc. as a licensed fire sprinkler contractor under Article 2 of Chapter 87 of the General Statutes for Phoenix Fire Protection, Inc.'s exclusive use pursuant to G.S. §89C-25(8), and Phoenix Fire Protection must perform any and all installation work and other work performed in reliance on this drawing pursuant to G.S. §55B-15(a)(2). Installation work or any other work performed by any other person or entity in reliance on this drawing or any copy thereof is strictly prohibited. © 2010 Phoenix Fire Protection, Inc.

REVISIONS		
#	DATE	DESCRIPTION
1	2/20/2013	ISSUE FOR SUBMITTAL
2	4/12/2013	PROVIDE COVERAGE UNDER CATWALK PER DOI COMMENTS

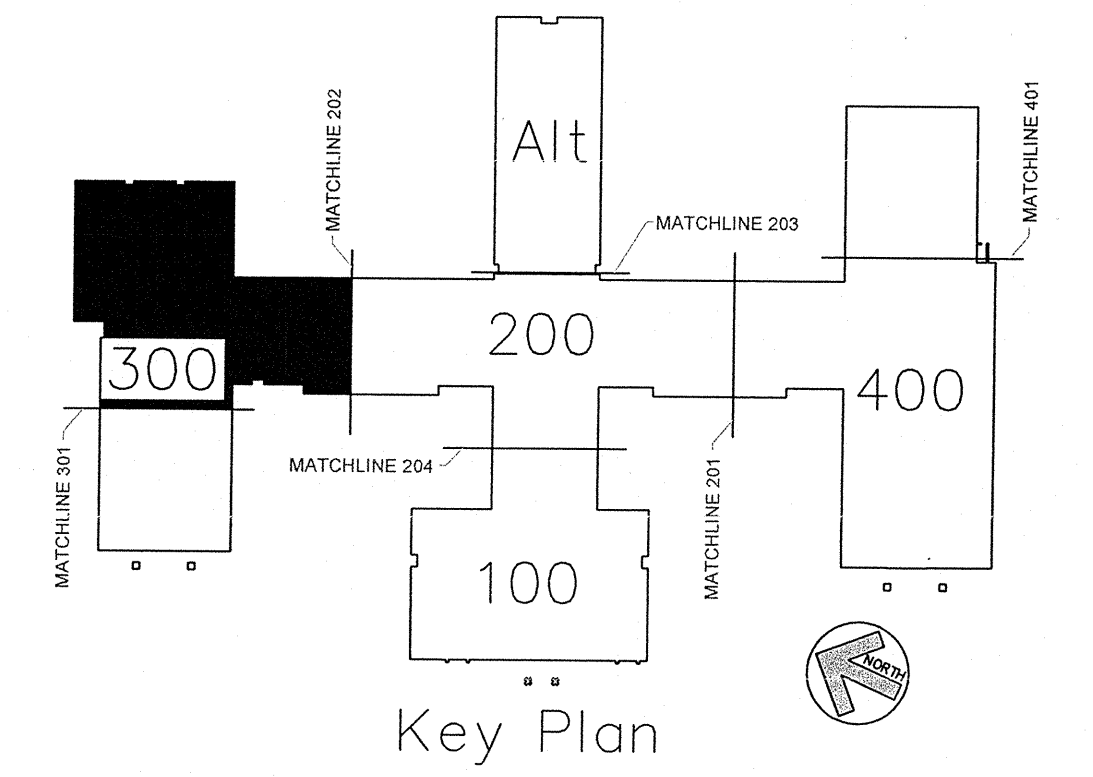
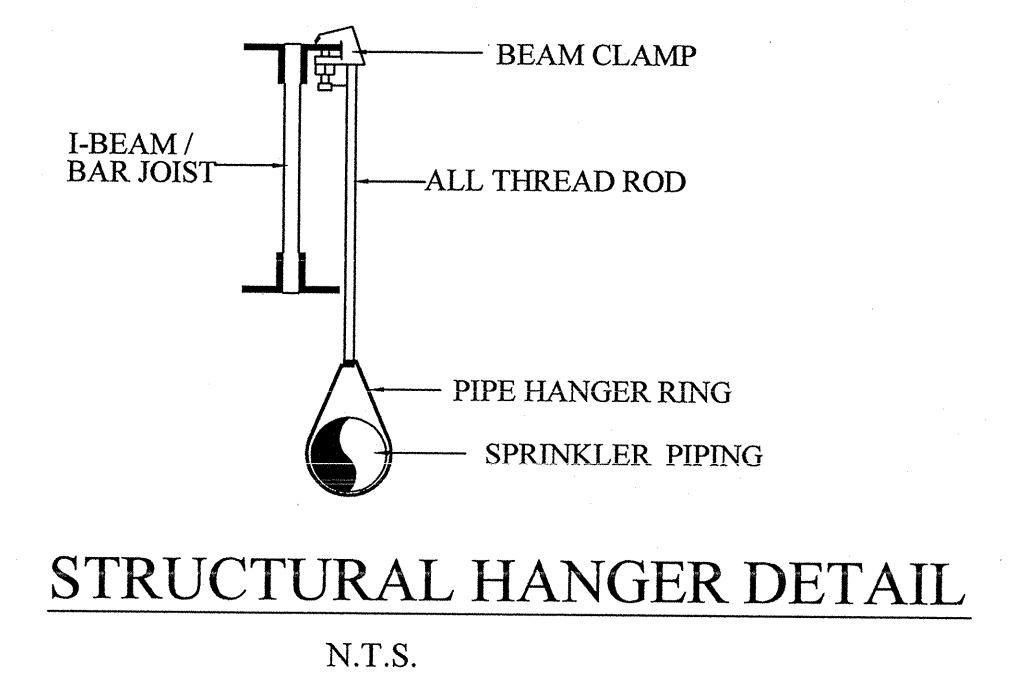
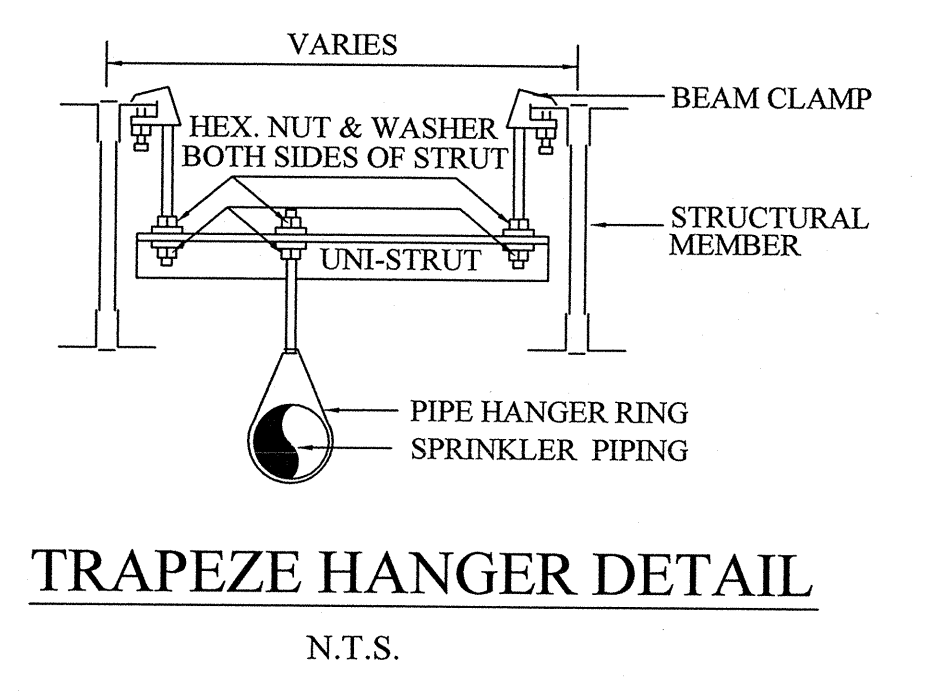
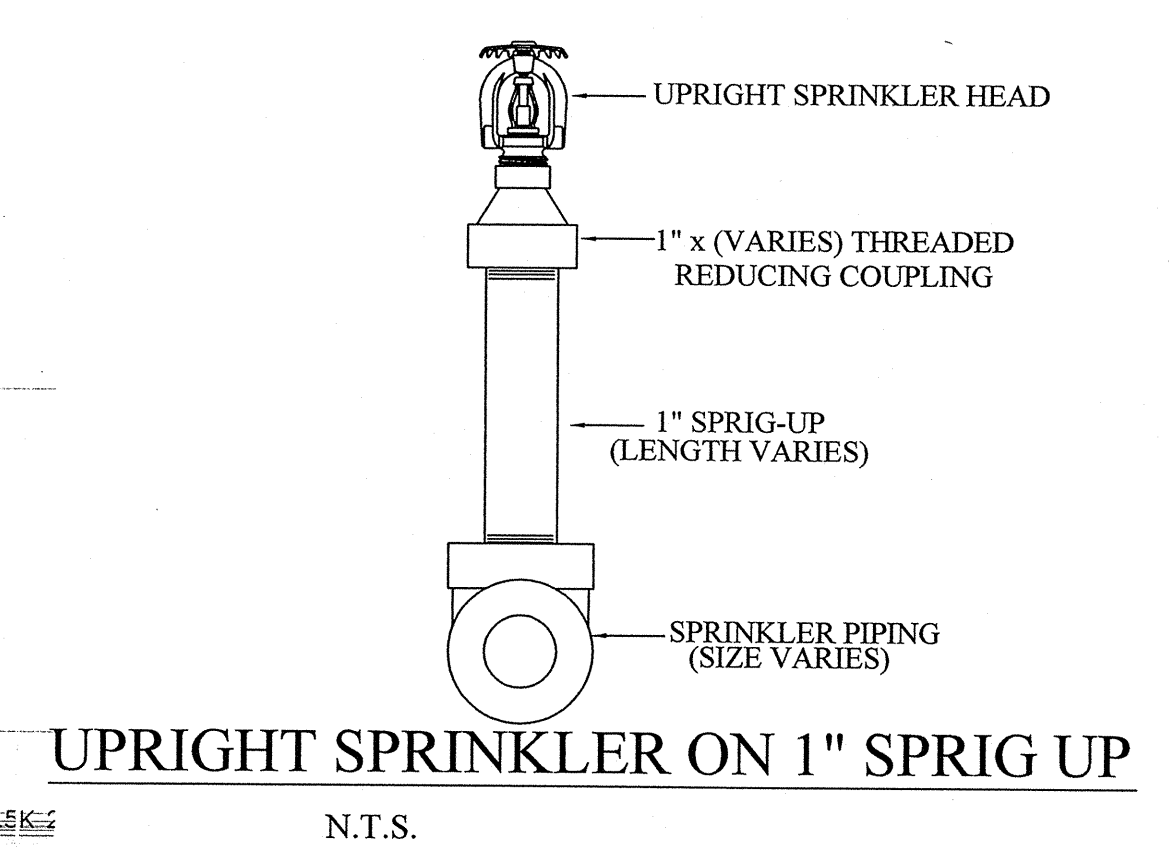
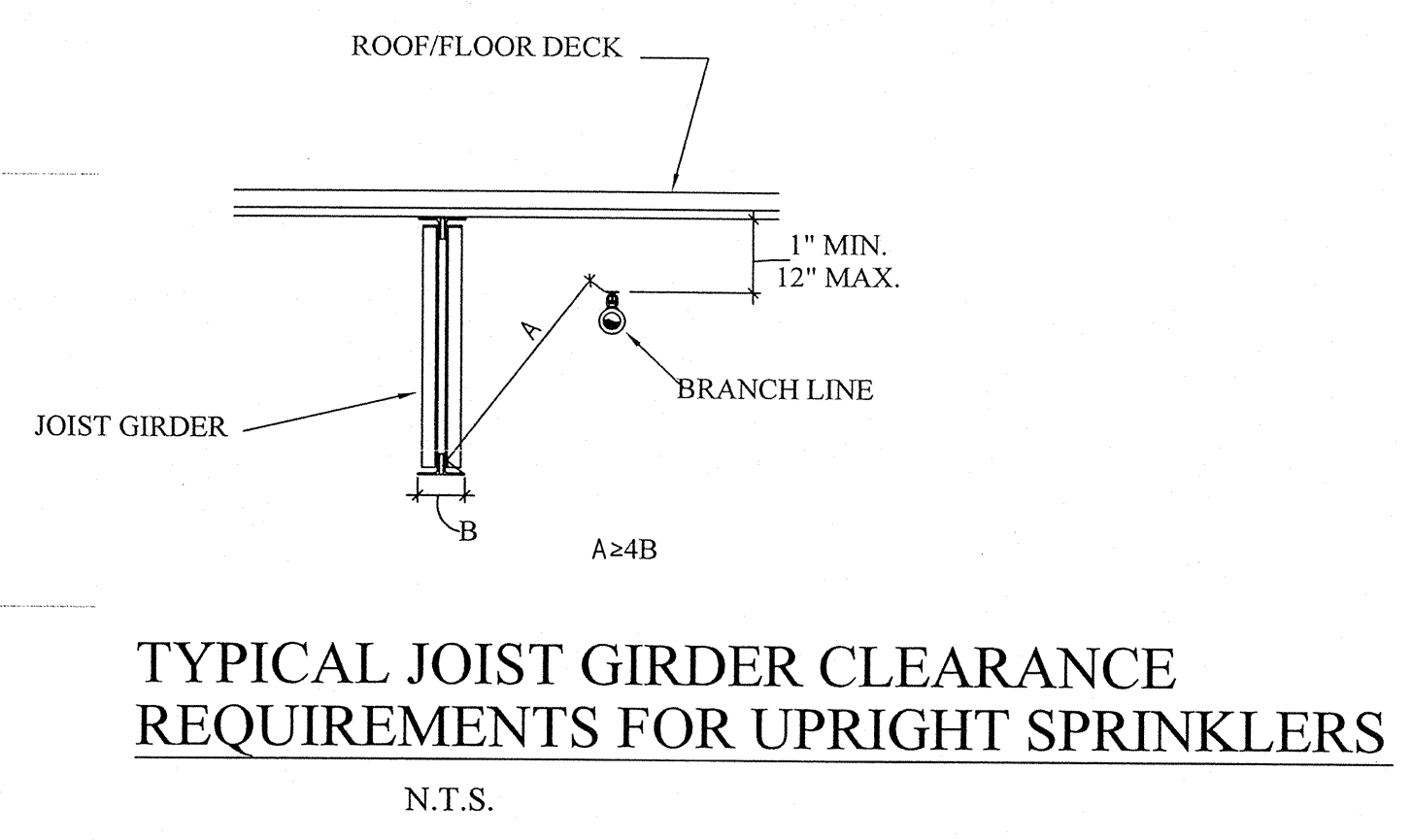
SPRINKLER SUMMARY													
#	DATE	DESCRIPTION	SYN	TYPE	FINISH	TEMP	ORF.	"C"	NPT	MANUF.	SIN#	ESCU/CHEDON	QTY.
1		OR CONCEALED	SHG	BRASS	175°	12"	5.6	1/2"	GLOBE	GL9696	155° WHITE COVERPLATE	N/A	104
2		OR UPRIGHT	SHG	BRASS	175°	12"	5.6	1/2"	GLOBE	GL9615	N/A	N/A	318
3		OR UPRIGHT WITH HEAD GUARD		WHITE	175°	12"	5.6	1/2"	GLOBE	GL9601	N/A	N/A	97
4		OR UPRIGHT		BRASS	175°	12"	5.6	1/2"	GLOBE	GL9615	N/A	N/A	32
5		OR DRY CONCEALED		BRASS	175°	12"	5.6	1"	GLOBE	GL9697	155° WHITE COVERPLATE	N/A	4
6		OR DRY SIDEWALL		WHITE	175°	12"	5.6	1"	GLOBE	GL9641	WHITE RECESSED	N/A	4
7		OR UPRIGHT WITH HEAD GUARD		BRASS	175°	12"	5.6	1/2"	GLOBE	GL9615	N/A	N/A	7
8		OR HOR. SIDEWALL		WHITE	175°	12"	5.6	1/2"	GLOBE	GL9626	WHITE RECESSED	N/A	1
TOTAL SPRINKLERS THIS PROJECT											1484		
TOTAL SPRINKLERS THIS DRAWING											1484		

JOB # C20-12
PHOENIX FIRE PROTECTION, INC.
P.O. BOX 2851
2863 LEE AVENUE
SANFORD, N.C. 27332
PHONE: (919) 774-3042 FAX: (919) 774-1492
DATE: 2-20-2013
SCALE: AS NOTED
DRAWN BY: MRS. RANDALL STROTHER
SHG
CHECK BY: MRS. THERESA RANDALL STROTHER
NICE LEVEL II CERT. NO. 116565
DATE: 2-18-14
SHEET NO. FP-20
OF 22

Chris Wall



GYM EQUIPMENT PLATFORM FIRE PROTECTION LAYOUT PLAN
SCALE: 1/8" = 1'-0"



PLAN NORTH

N.C. LICENSE NO. PFS-13628

APPROVING AGENCIES

APPROVING AUTHORITY: BERTIE COUNTY FIRE MARSHALL

UNDERWRITER: N.C. DEPT. OF INSURANCE

GENERAL CONTRACTOR: WIMCO CONSTRUCTION
2533 W. 5th STREET
WASHINGTON, NC 27889-9078

PHONE NO.: 252-946-5175
FAX NO.: 252-946-4943

This fire sprinkler planning and design drawing has been prepared by Phoenix Fire Protection, Inc. as a licensed fire sprinkler contractor under Article 2 of Chapter 87 of the General Statutes for Phoenix Fire Protection, Inc.'s exclusive use pursuant to G.S. §89C-25(8), and Phoenix Fire Protection's must perform any and all installation work and other work performed in reliance on this drawing pursuant to G.S. §55B-15(a)(2). Installation work or any other work performed by any other person or entity in reliance on this drawing or any copy thereof is strictly prohibited. © 2010 Phoenix Fire Protection, Inc.

REVISIONS

#	DATE	DESCRIPTION	SHG
1	2/20/2013	ISSUE FOR SUBMITTAL	SHG
2	4/10/2013	PROVIDE COVERAGE UNDER CATWALK	SHG
3		PER DOI COMMENTS	

SPRINKLER SUMMARY

SYMBOL	TYPE	FINISH	TEMP	DRIP	"C"	NPT	MANUF.	SNR	ESCUOTCHCON	QTY.
OR CONCEALED	BRASS	175°	1/2"	5.6	1/2"	GLOBE	GL5000	155° WHITE COVERPLATE	1024	
OR UPRIGHT	BRASS	175°	1/2"	5.6	1/2"	GLOBE	GL5015	N/A	318	
OR UPRIGHT WITH HEAD GUARD	WHITE	175°	1/2"	5.6	1/2"	GLOBE	GL5001	N/A	97	
OR UPRIGHT	BRASS	175°	1/2"	5.6	1/2"	GLOBE	GL5015	N/A	32	
OR DRY CONCEALED	BRASS	175°	1/2"	5.6	1"	GLOBE	GL5037	155° WHITE COVERPLATE	4	
OR UPRIGHT	WHITE	175°	1/2"	5.6	1"	GLOBE	GL5041	WHITE RECESSED	1	
OR UPRIGHT WITH HEAD GUARD	BRASS	175°	1/2"	5.6	1/2"	GLOBE	GL5015	N/A	7	
OR HOR. SIDEWALL	WHITE	175°	1/2"	5.6	1/2"	GLOBE	GL5026	WHITE RECESSED	1	

TOTAL SPRINKLERS THIS PROJECT: 1484
TOTAL SPRINKLERS THIS DRAWING: 1481

JOB #: C20-12

DATE: 2-20-2013

SCALE: AS NOTED

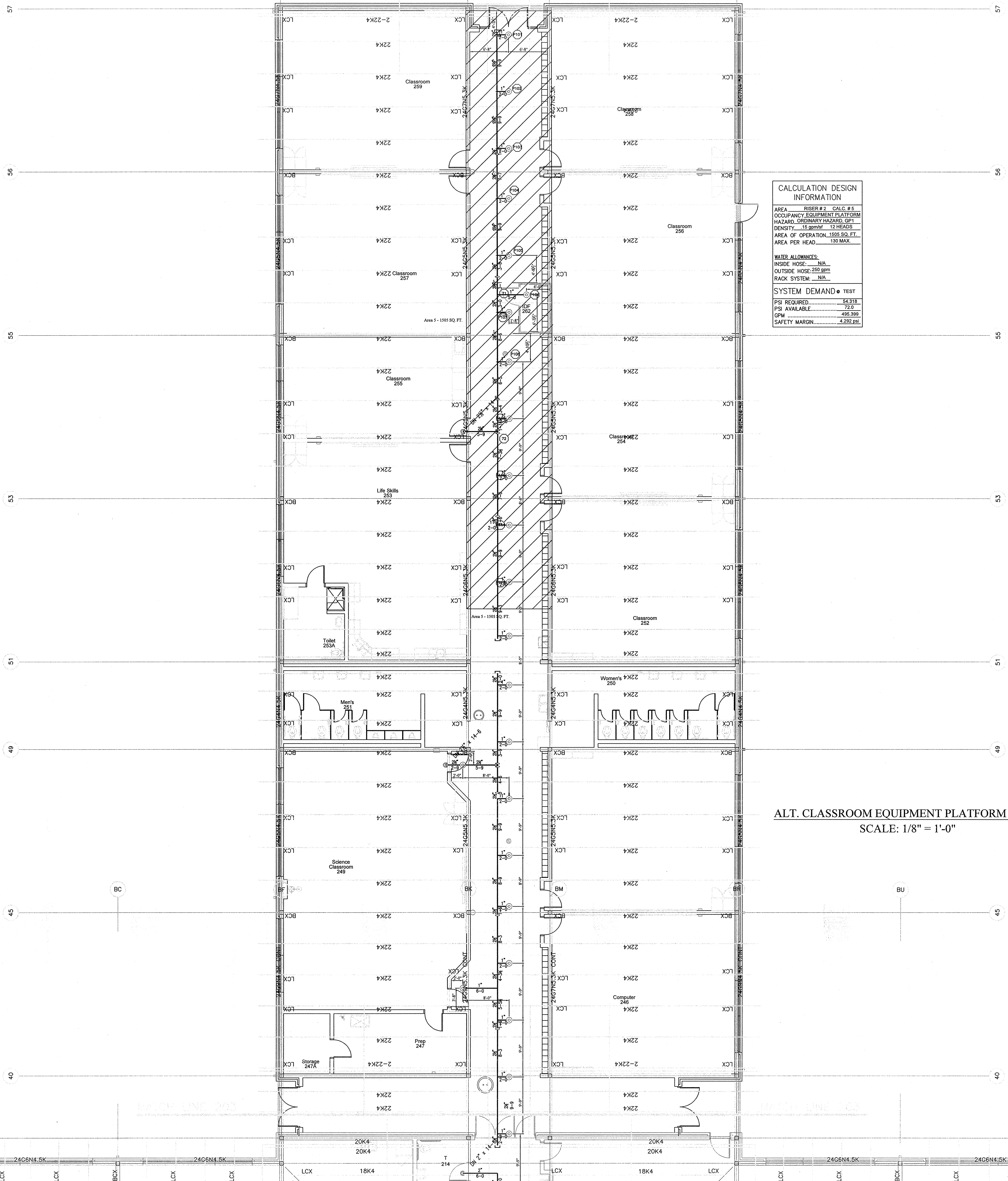
DRAWN BY: MELVIN RANDALL STROTHER

CHK. BY: MRS. MELVIN RANDALL STROTHER

PHOENIX FIRE PROTECTION, INC.
P.O. BOX 2881
2863 LEE AVENUE
SANFORD, N.C. 27332
PHONE: (919) 774-3042 FAX: (919) 774-1492

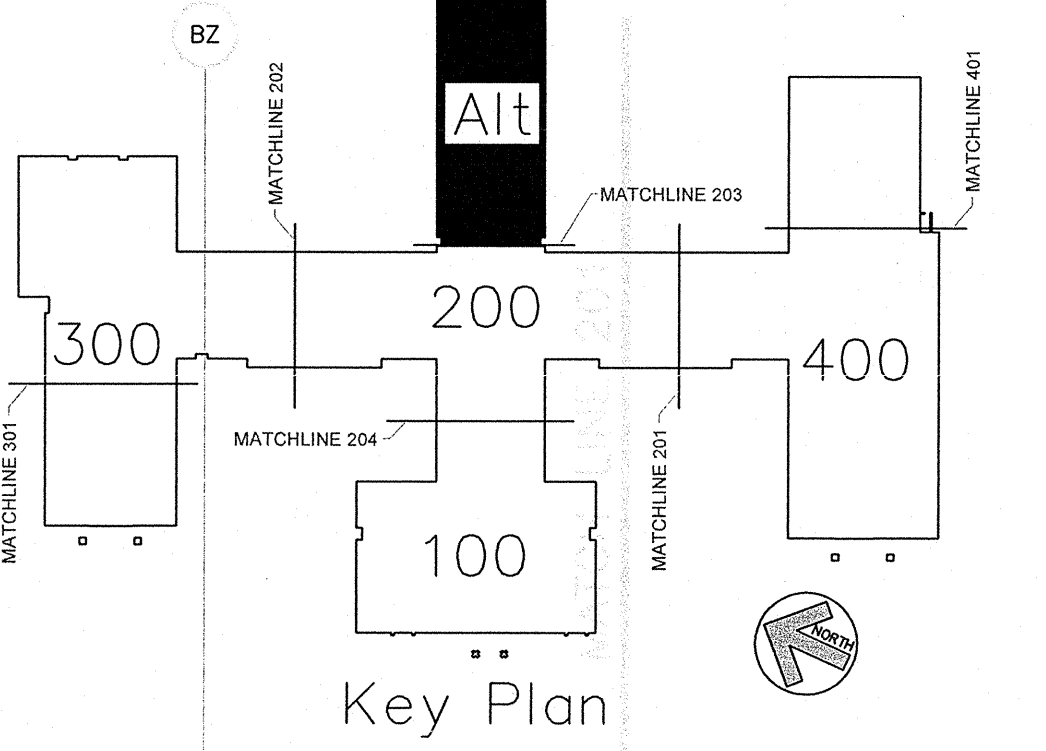
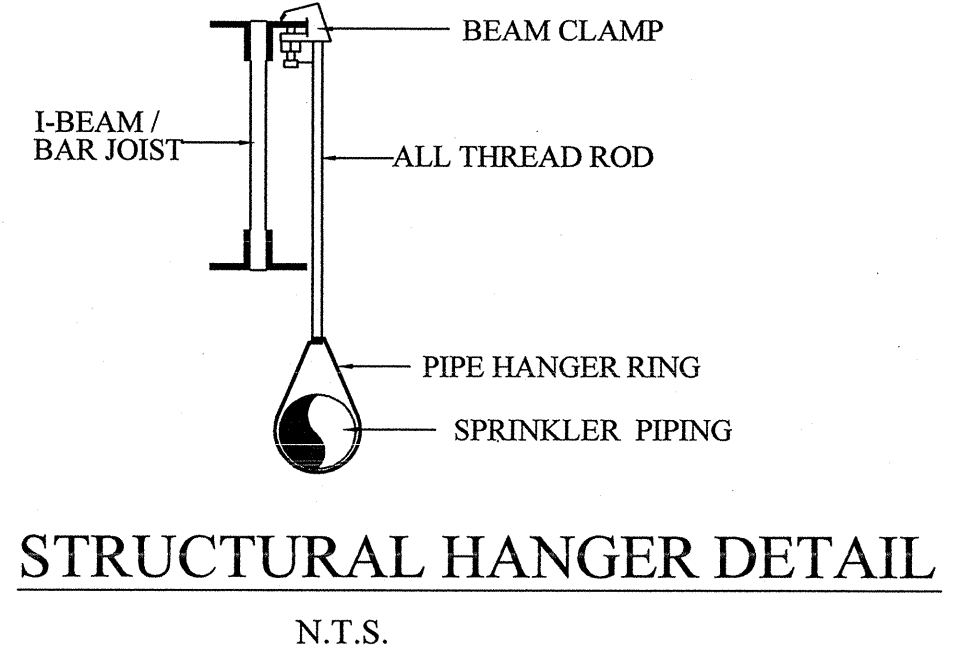
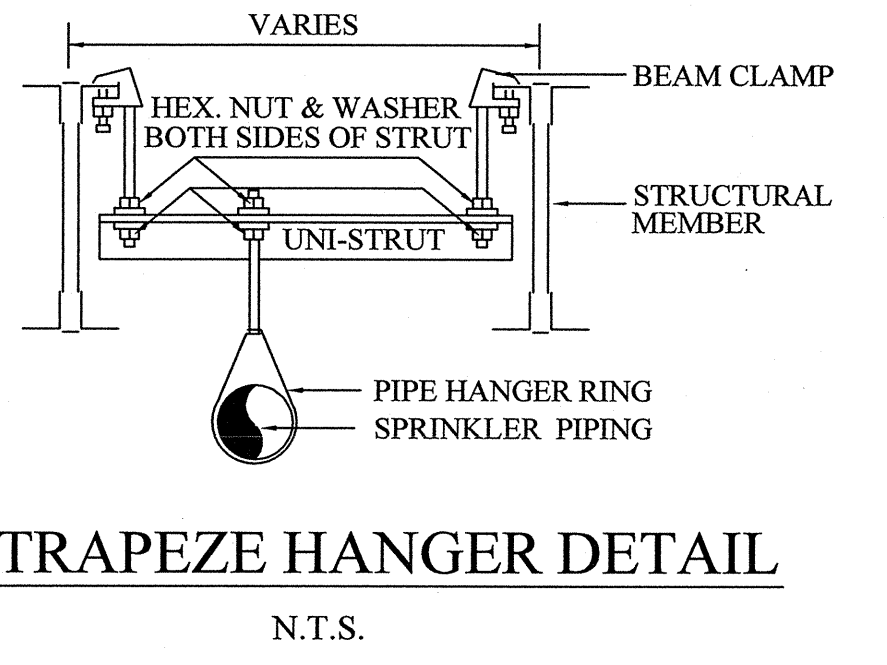
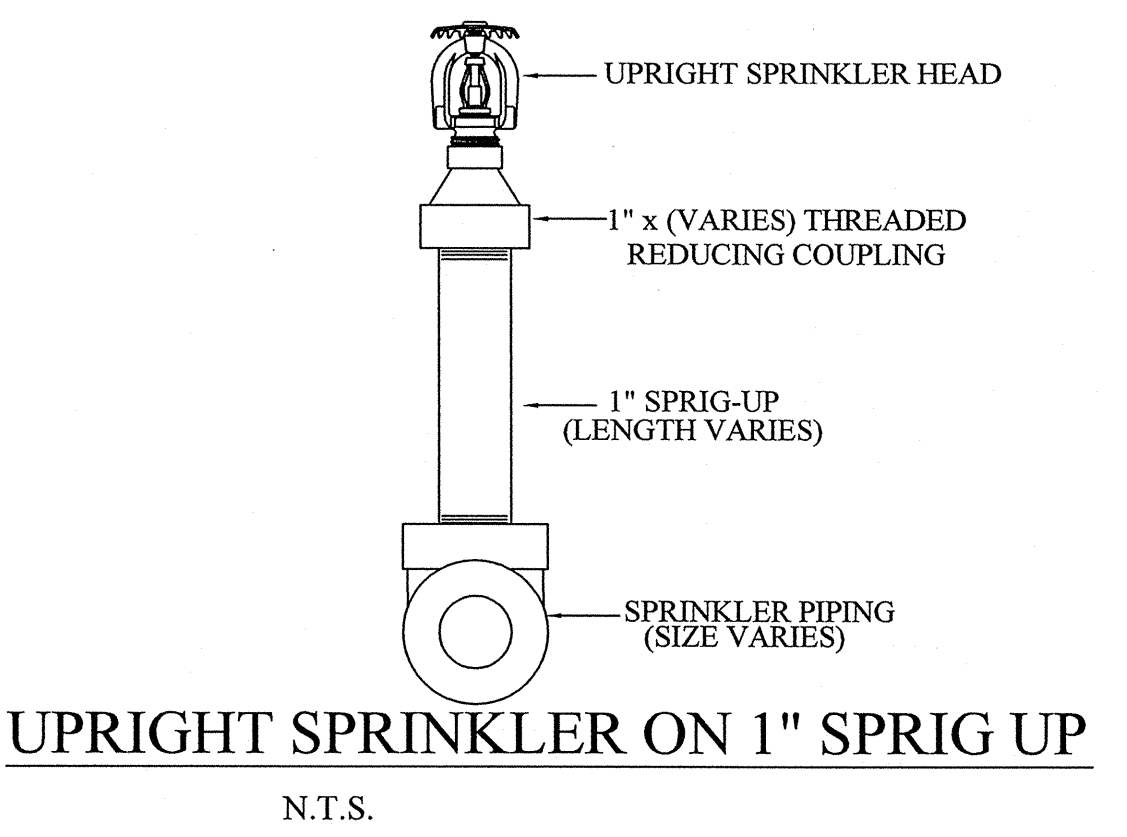
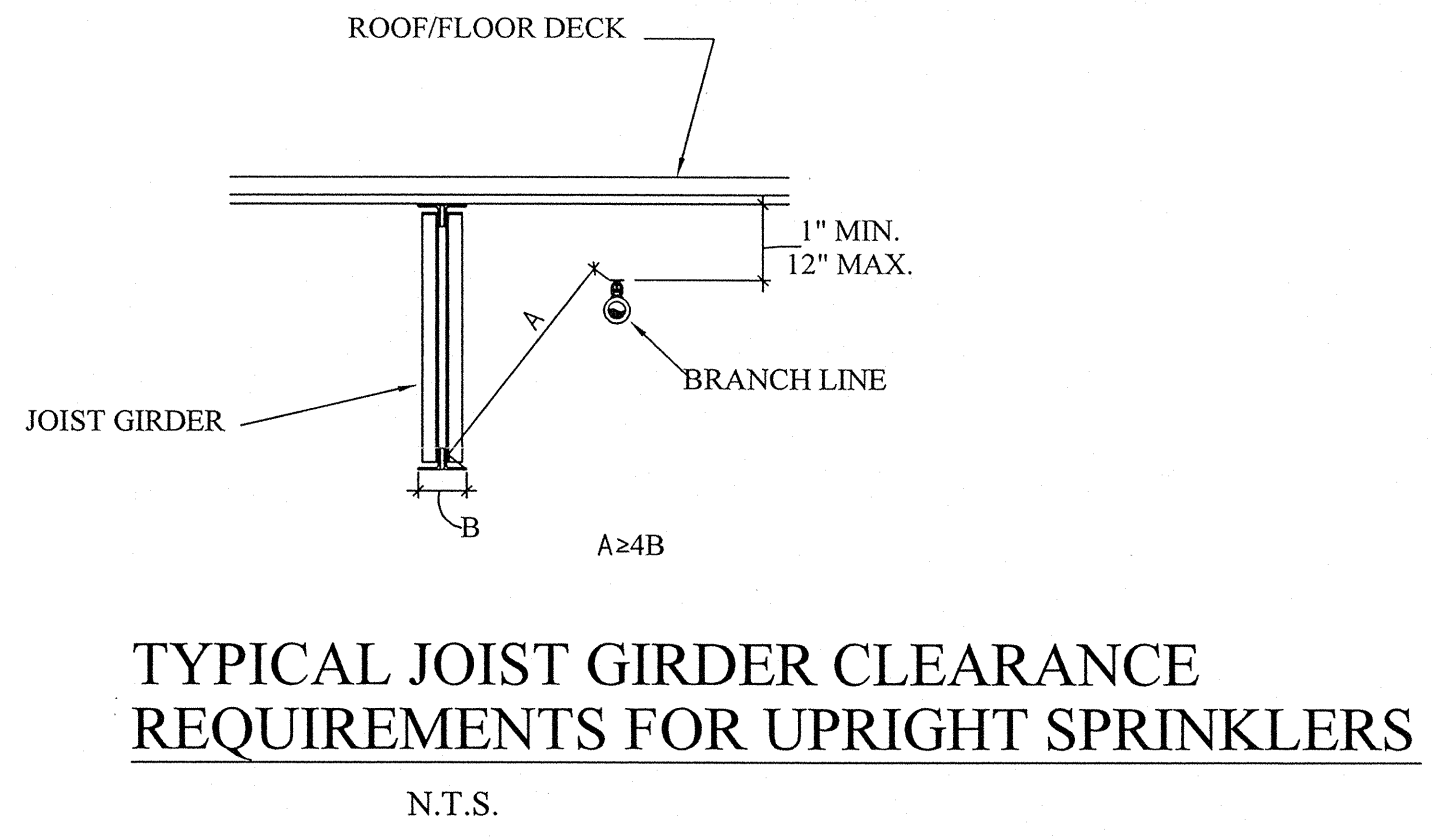
FIRE PROTECTION
NEW BERTIE HIGH SCHOOL
716 US 13 NORTH
WINDSOR, NORTH CAROLINA

SHEET NO. FP-19 OF 22



CALCULATION DESIGN INFORMATION	
AREA	RISER #2 CALC #5
OCCUPANCY	EQUIPMENT PLATFORM
HAZARD	SECONDARY HAZARD, GFI
DENSITY	15 gpm/ft ² 12 HEADS
AREA OF OPERATION	1055 SQ. FT.
AREA PER HEAD	100 MAX.
MULTI ALLOWANCES:	
INSIDE HOSE	N/A
OUTSIDE HOSE	250 gpm
RACK SYSTEM	N/A
SYSTEM DEMAND = TEST	
PSI REQUIRED	54.318
PSI AVAILABLE	72.0
CPM	495.399
SAFETY MARGIN	4.232 psi

ALT. CLASSROOM EQUIPMENT PLATFORM FIRE PROTECTION LAYOUT PLAN
SCALE: 1/8" = 1'-0"



AS BUILT DRAWINGS
2-10-2014



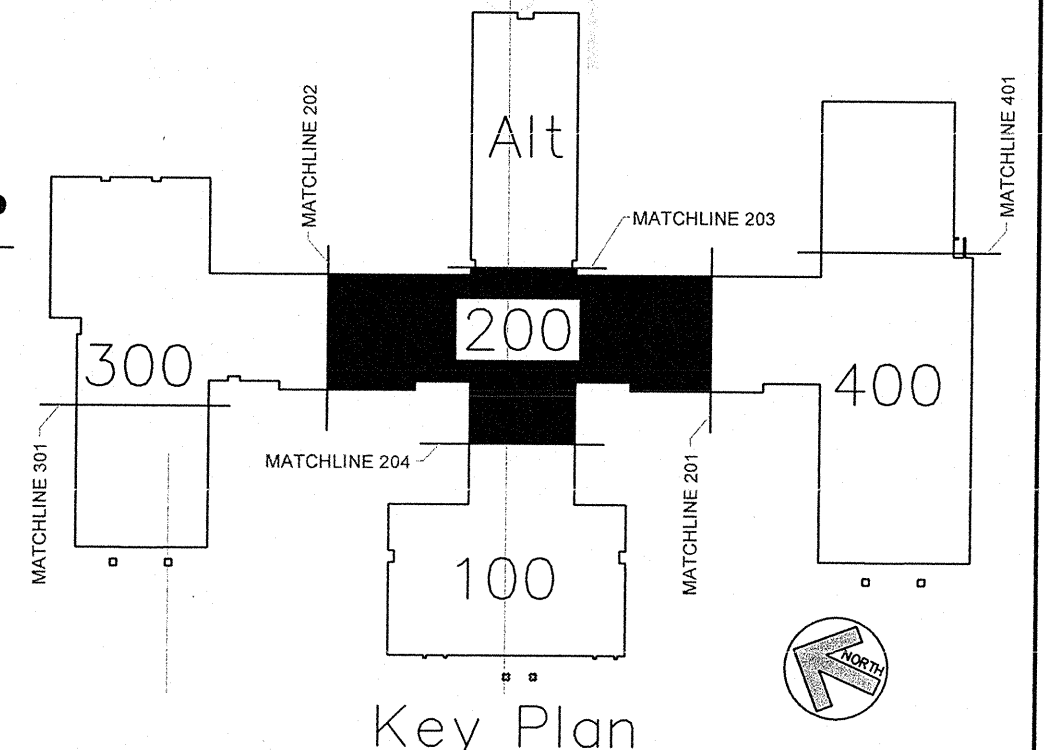
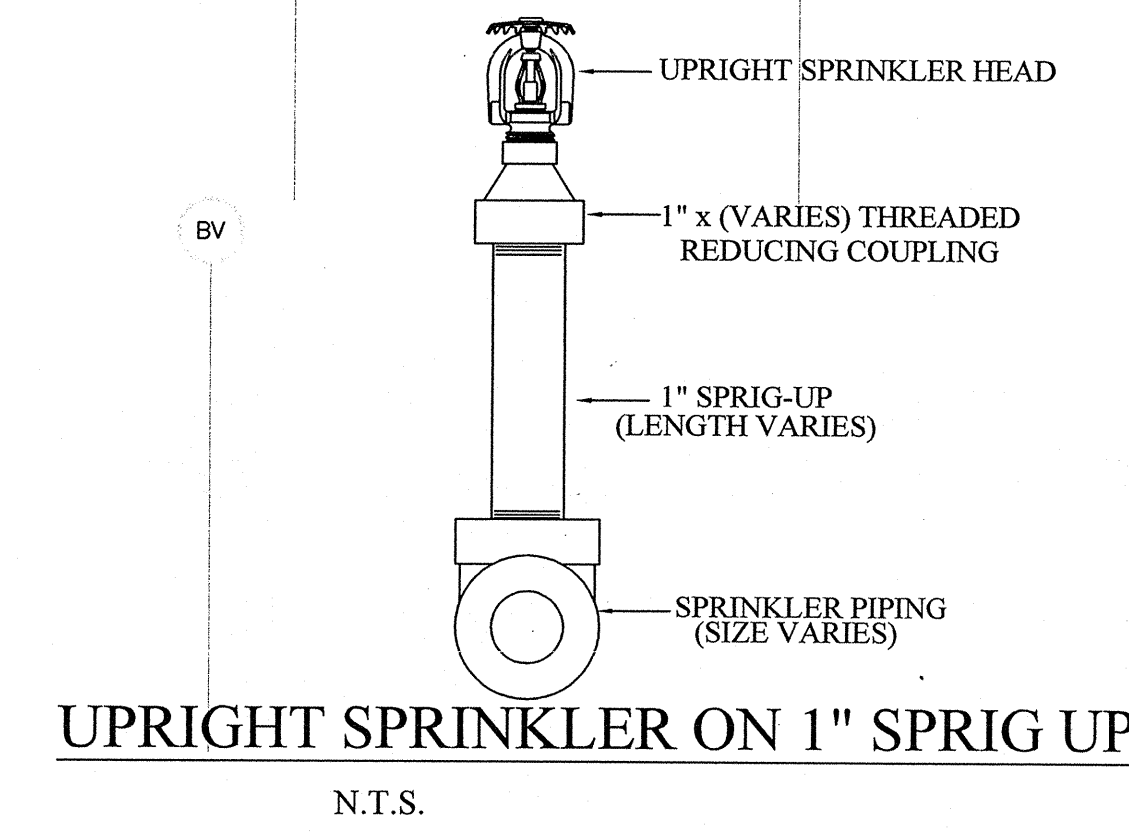
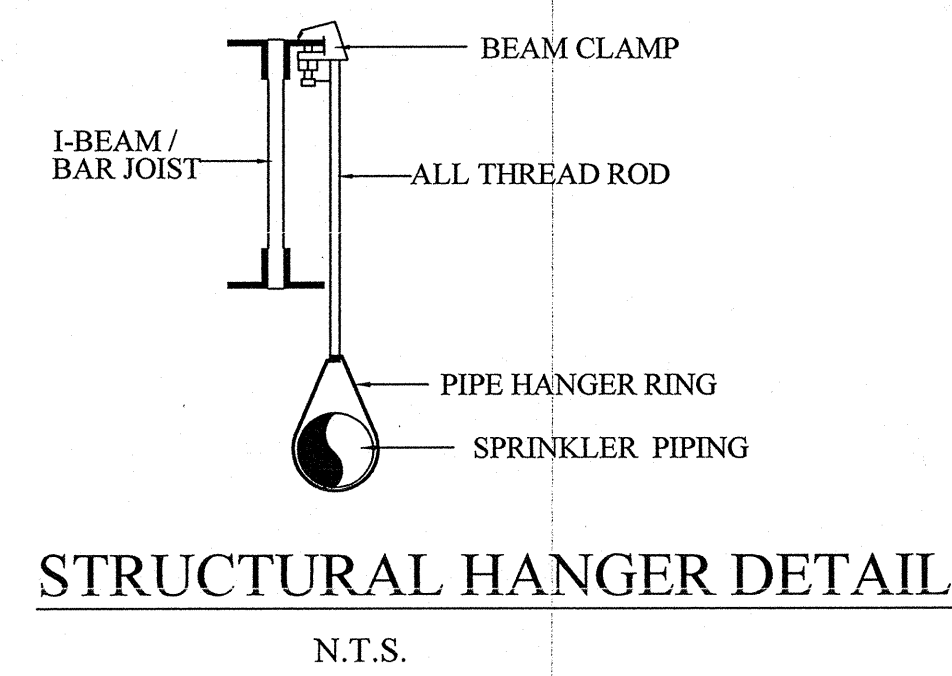
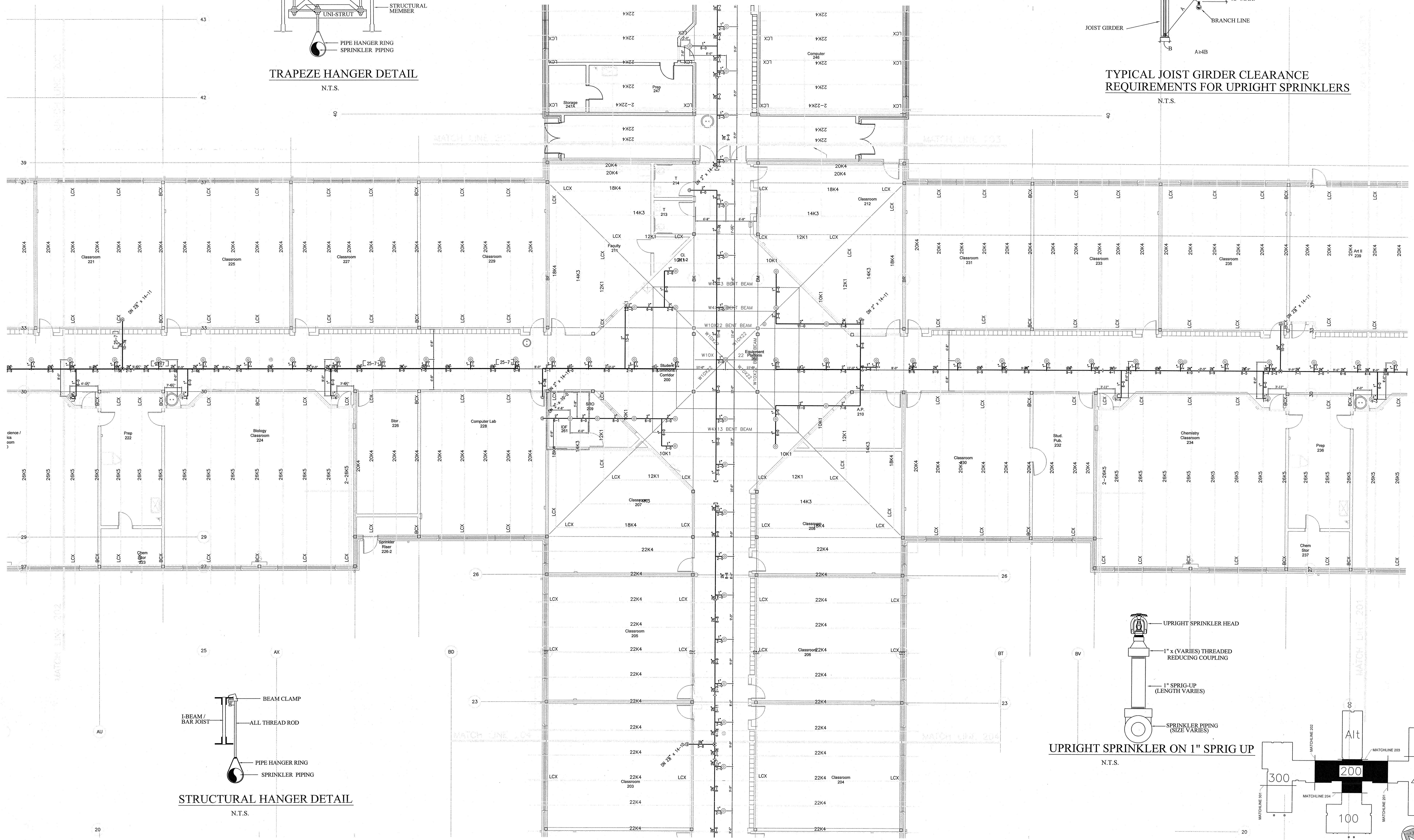
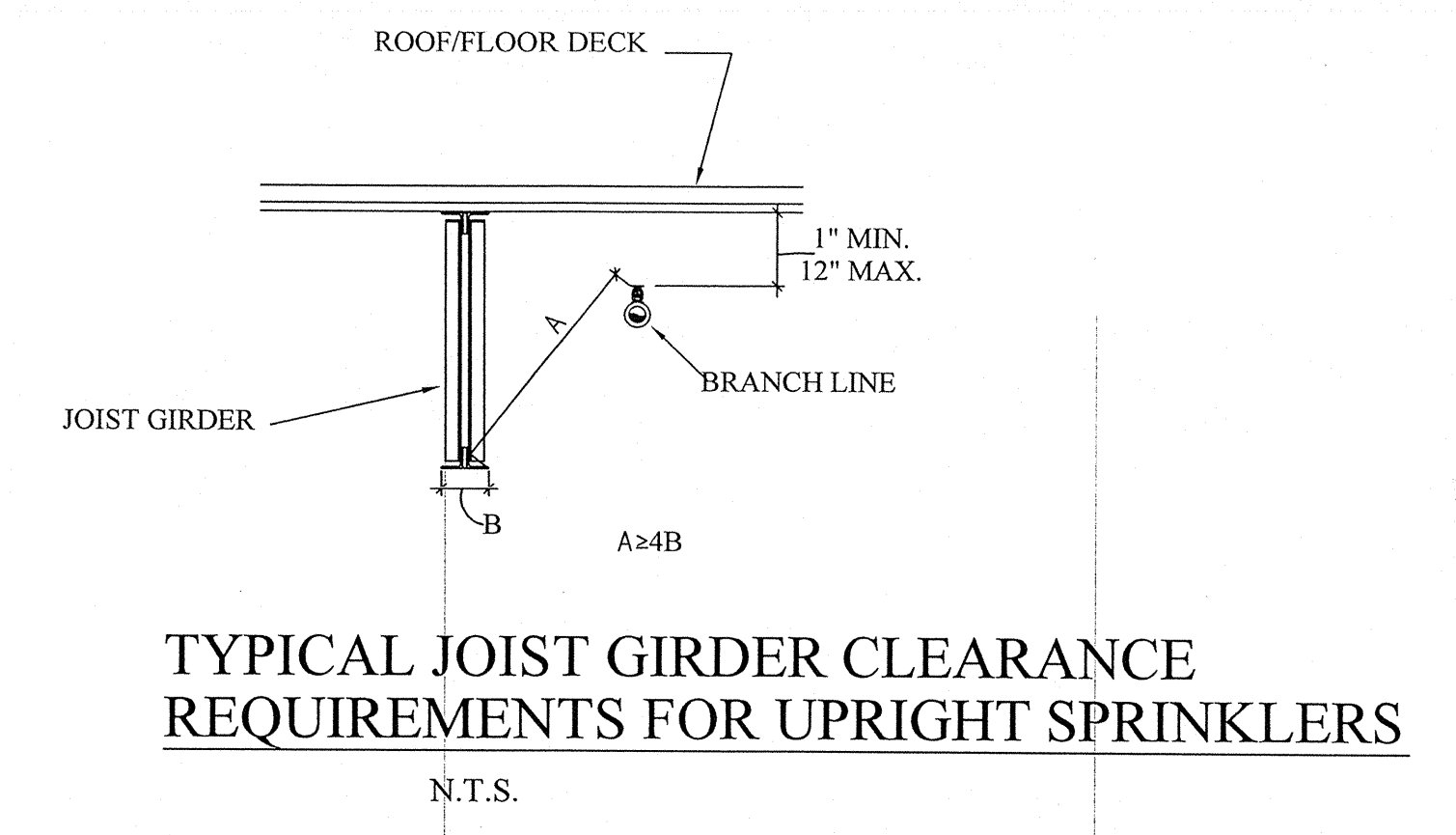
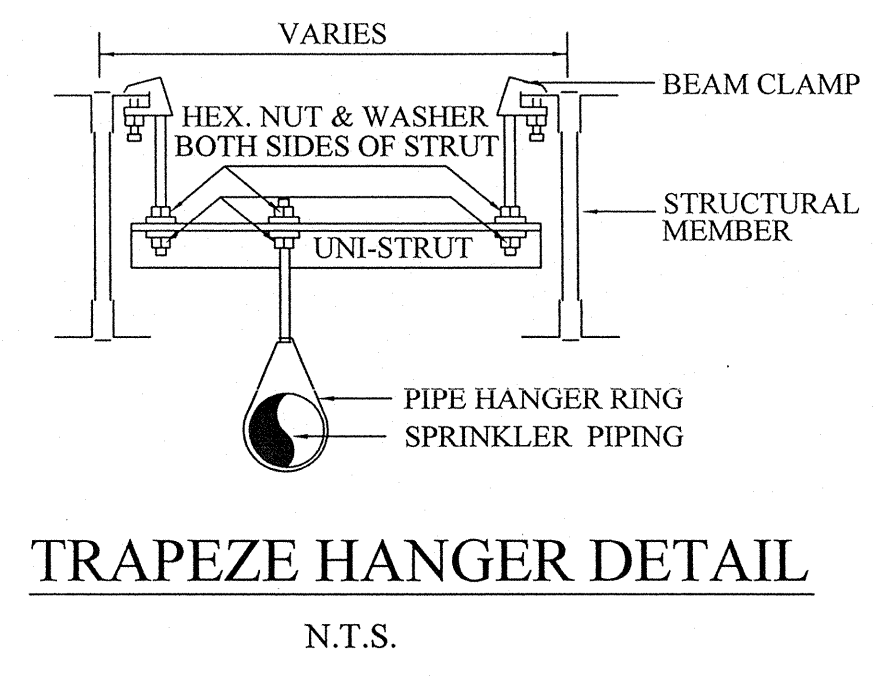
APPROVING AGENCIES
 APPROVING AUTHORITY: BERTIE COUNTY FIRE MARSHALL
 UNDERWRITER: N.C. DEPT. OF INSURANCE
 GENERAL CONTRACTOR: WIMCO CONSTRUCTION
 ADDRESS: 2533 W. 5th STREET
 CITY & STATE: WASHINGTON, NC 27889-9078
 PHONE NO.: 252-946-5175
 FAX NO.: 252-946-4943

This fire sprinkler planning and design drawing has been prepared by Phoenix Fire Protection, Inc. as a licensed fire sprinkler contractor under Article 2 of Chapter 87 of the General Statutes for Phoenix Fire Protection, Inc.'s exclusive use pursuant to G.S. §89C-25(8), and Phoenix Fire Protection's must perform any and all installation work and other work performed in reliance on this drawing pursuant to G.S. §55B-15(a)(2). Installation work or any other work performed by any other person or entity in reliance on this drawing or any copy thereof is strictly prohibited. © 2010 Phoenix Fire Protection, Inc.

REVISIONS		BY		DATE	
1	ISSUE FOR SUBMITTAL	SHG		2/20/2013	
2	PROVIDE COVERAGE UNDER CATWALK PER DOI COMMENTS	SHG		4/11/2013	

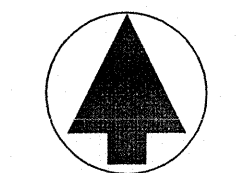
SPRINKLER SUMMARY		SYMBOL		TYPE		FINISH		TEMP		ORF.		%C		NPT		MANUF.		SIN#		ESCUTCHEON		QTY.	
GR	CONCEALED	BRASS	175°	1/2"	5.6	12"	GLOBE	GL5608	155°	WHITE COVERPLATE	104											104	
GR	UPRIGHT	BRASS	175°	1/2"	5.6	12"	GLOBE	GL5615	N/A	N/A	318											318	
OR	UPRIGHT	WHITE	175°	1/2"	5.6	12"	GLOBE	GL5601	N/A	N/A	32											32	
OR	DRY CONCEALED	BRASS	175°	1/2"	5.6	12"	GLOBE	GL5615	N/A	N/A	4											4	
OR	DRY SIDEWALL	WHITE	175°	1/2"	5.6	12"	GLOBE	GL5611	155°	WHITE COVERPLATE	1											1	
OR	UPRIGHT	BRASS	175°	1/2"	5.6	12"	GLOBE	GL5615	N/A	N/A	7											7	
OR	HOR. SIDEWALL	WHITE	175°	1/2"	5.6	12"	GLOBE	GL5628	155°	WHITE RECESSED	1											1	

PHOENIX FIRE PROTECTION, INC.
 P.O. BOX 2881
 SANFORD, N.C. 27332
 PHONE: (919) 774-3042 FAX: (919) 774-1482
FIRE PROTECTION
NEW BERTIE HIGH SCHOOL
 716 US 13 NORTH
 WINDSOR, NORTH CAROLINA
 MELVIN RANDALL STROTHER
 NICET LEVEL III, CERT. NO. 116455
 DATE: 2-18-14
 CHKD BY: MRS
 SHEET NO. FP-18 OF 22

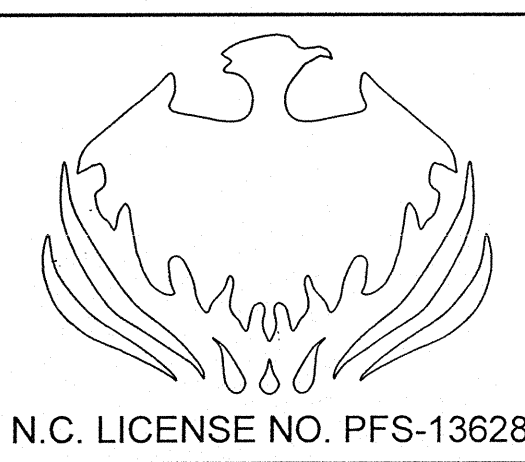


CLASSROOM EQUIPMENT PLATFORM FIRE PROTECTION LAYOUT PLAN
SCALE: 1/8" = 1'-0"

AS BUILT DRAWINGS
2-10-2014



PLAN NORTH



APPROVING AGENCIES
 APPROVING AUTHORITY: BERTIE COUNTY FIRE MARSHALL
 UNDERWRITER: N.C. DEPT. OF INSURANCE
 GENERAL CONTRACTOR: WIMCO CONSTRUCTION
 ADDRESS: 2533 W. 5th STREET
 CITY & STATE: WASHINGTON, NC 27889-9078
 PHONE NO.: 252-946-5175
 FAX NO.: 252-946-4943

This fire sprinkler planning and design drawing has been prepared by Phoenix Fire Protection, Inc. as a licensed fire sprinkler contractor under Article 2 of Chapter 87 of the General Statutes for Phoenix Fire Protection, Inc.'s exclusive use pursuant to G.S. §89C-25(8), and Phoenix Fire Protection's must perform any and all installation work and other work performed in reliance on this drawing pursuant to G.S. §55B-15(a)(2). Installation work or any other work performed by any other person or entity in reliance on this drawing or any copy thereof is strictly prohibited. © 2010 Phoenix Fire Protection, Inc.

REVISIONS	
#	DATE
1	2/20/2013
2	4/11/2013

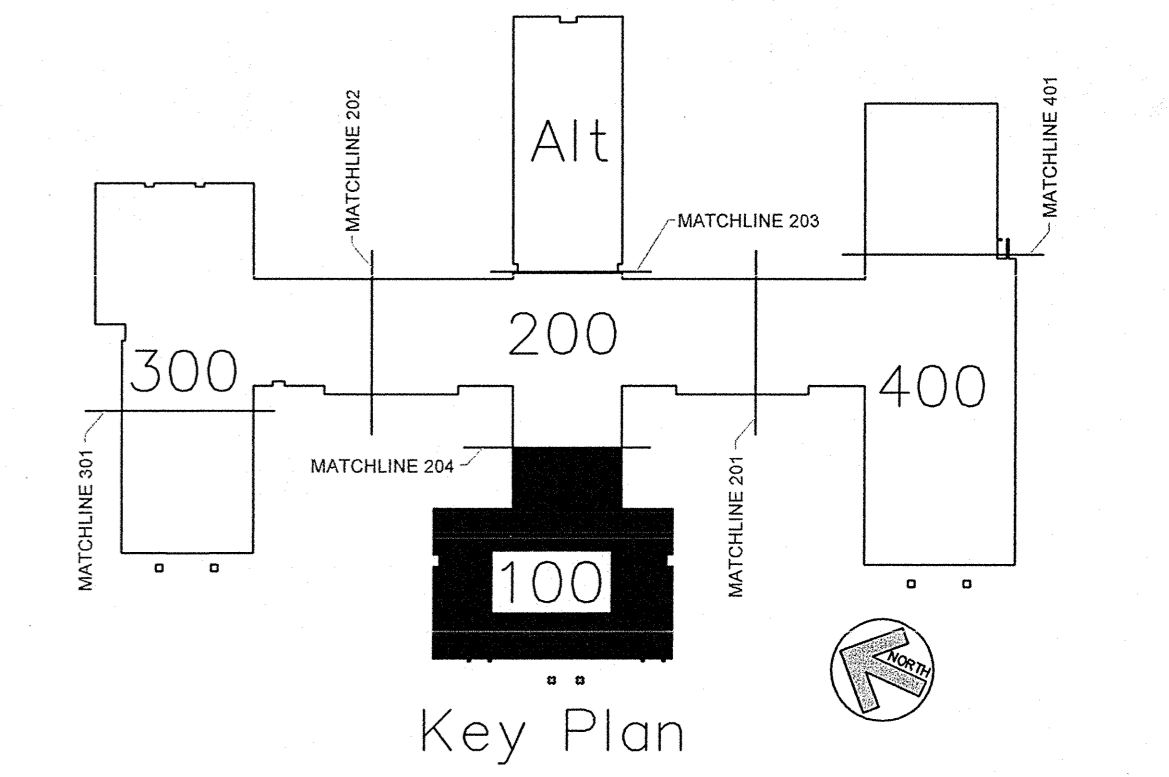
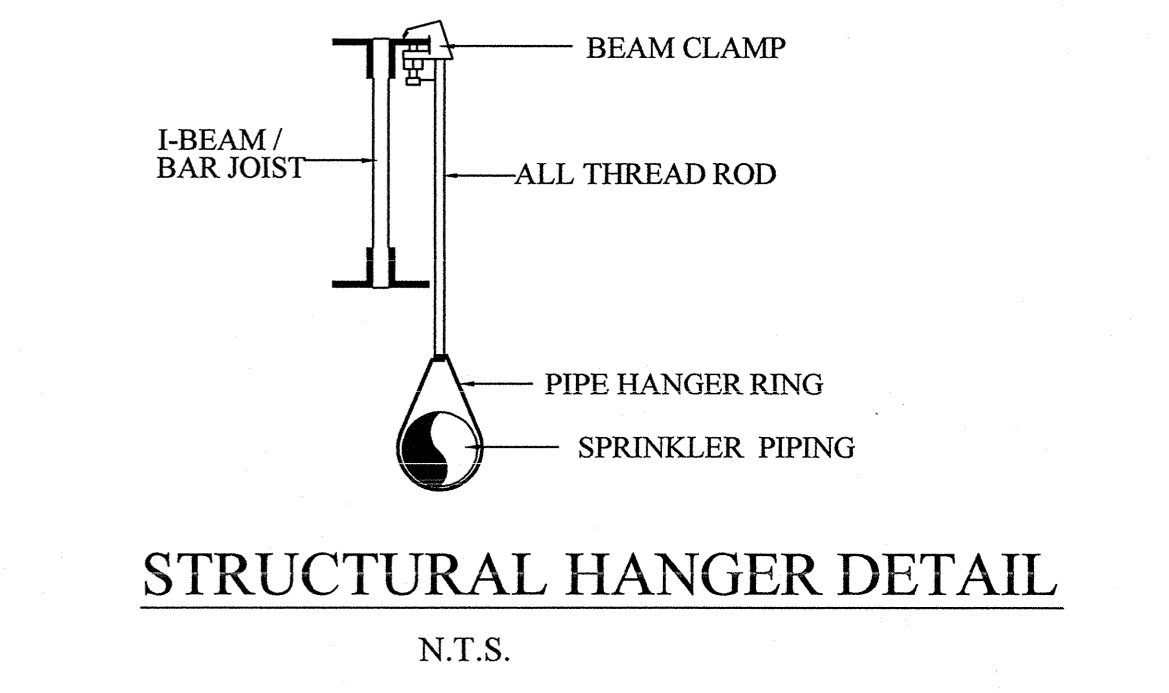
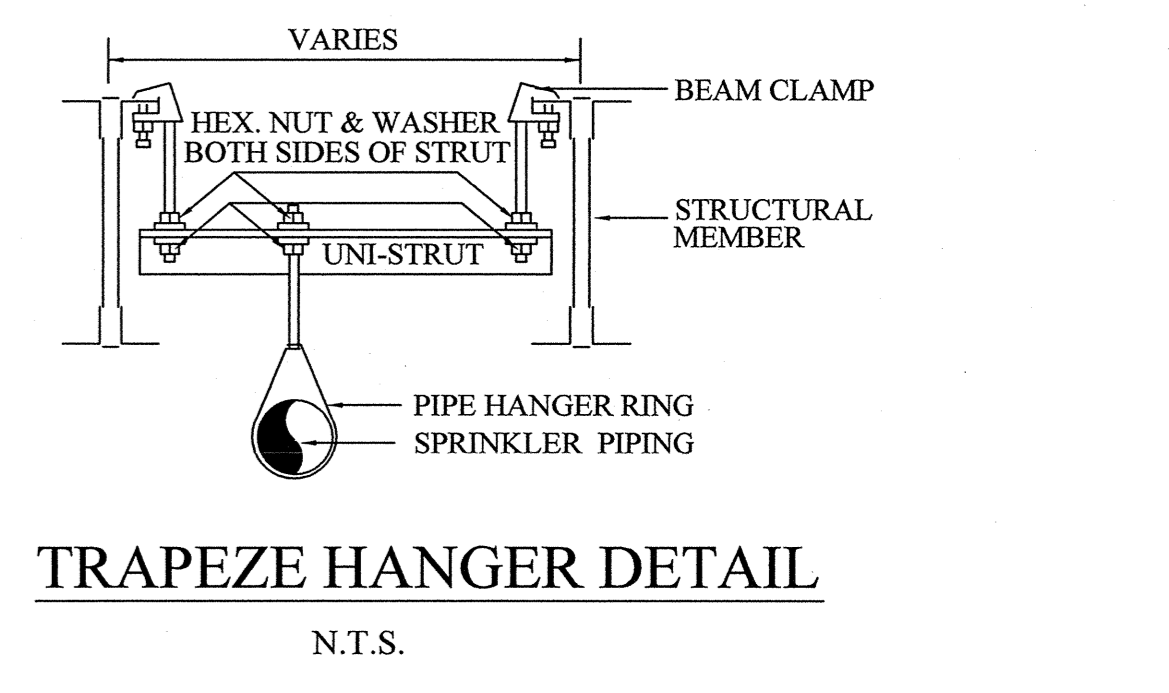
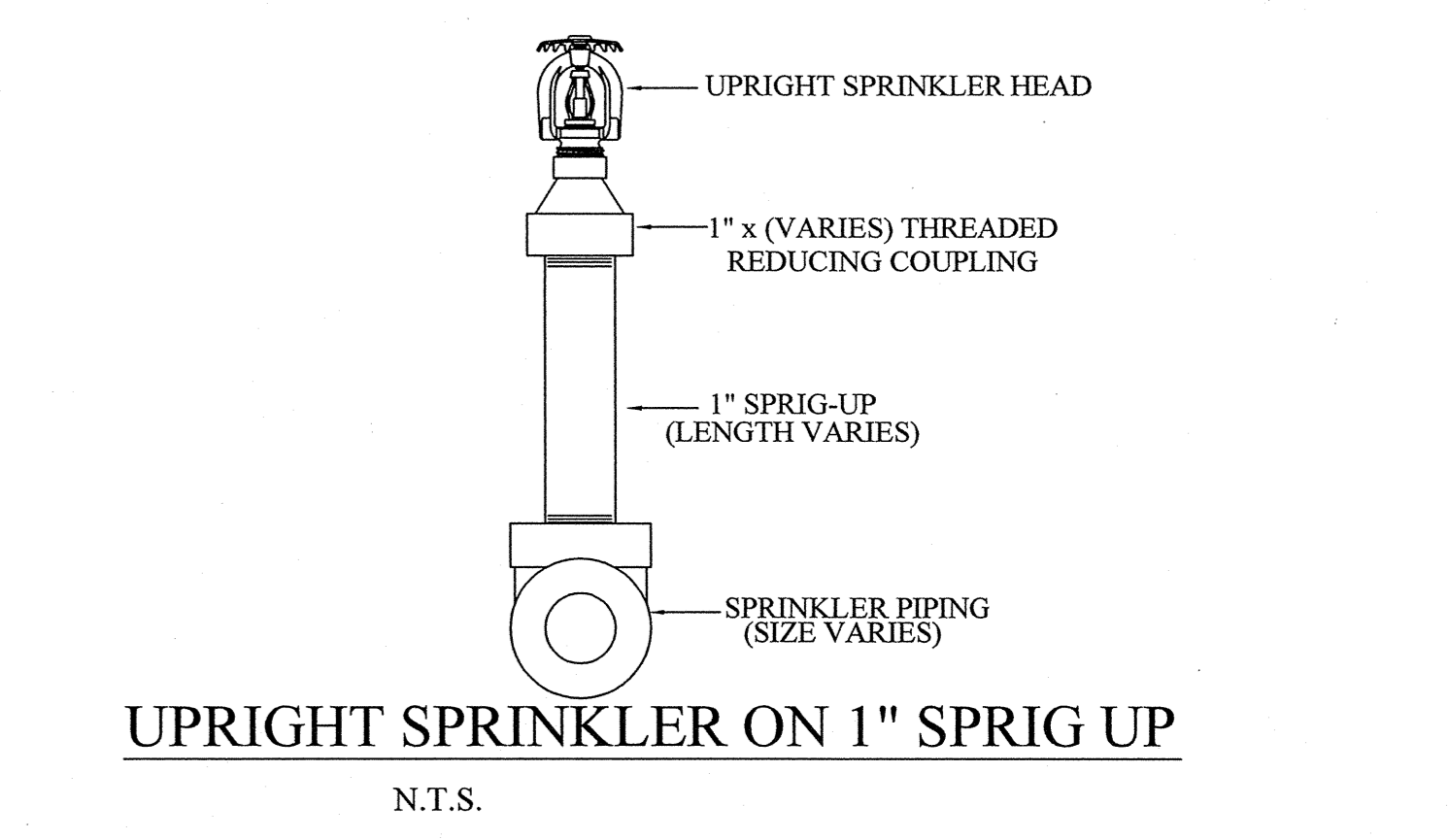
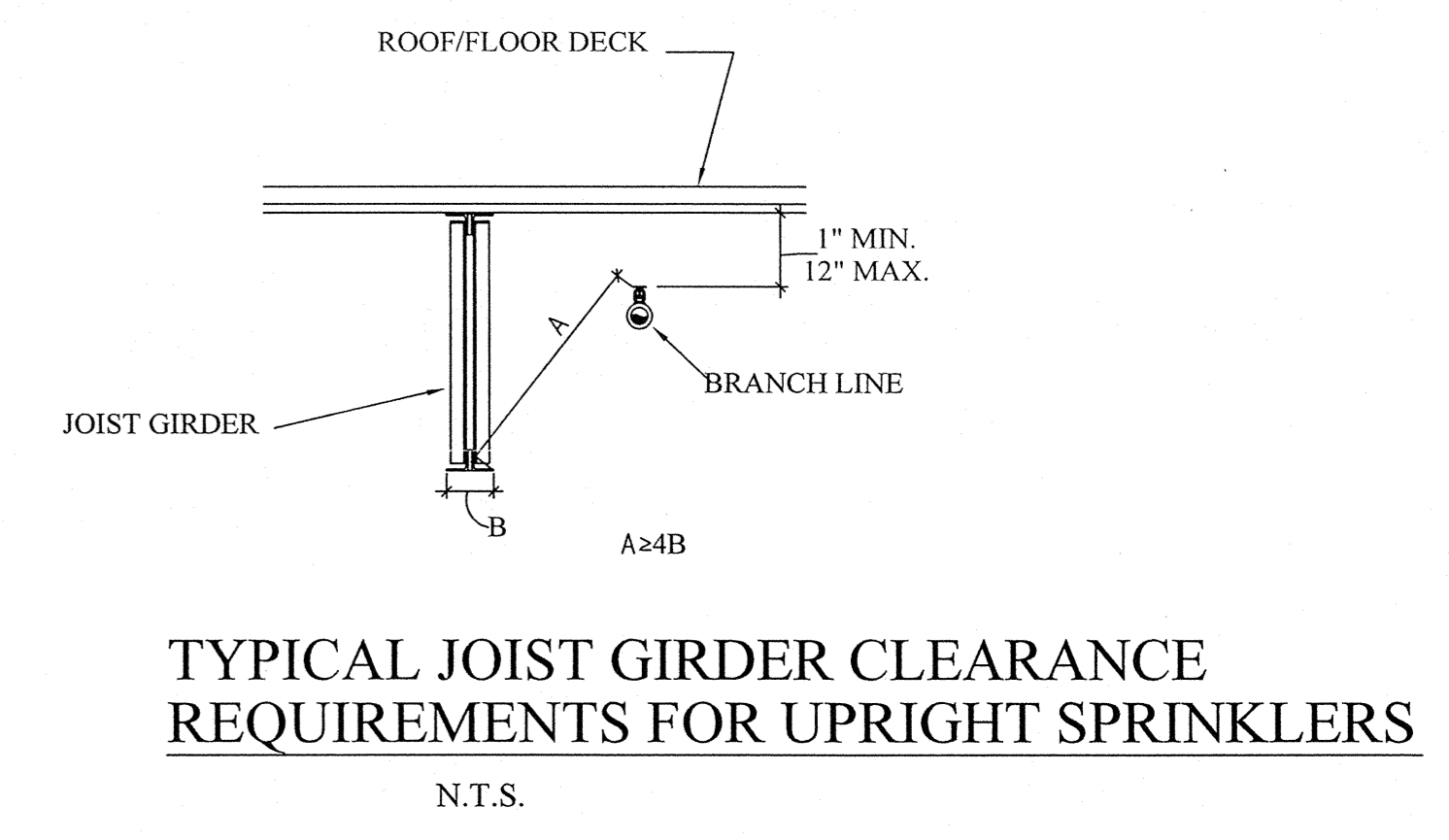
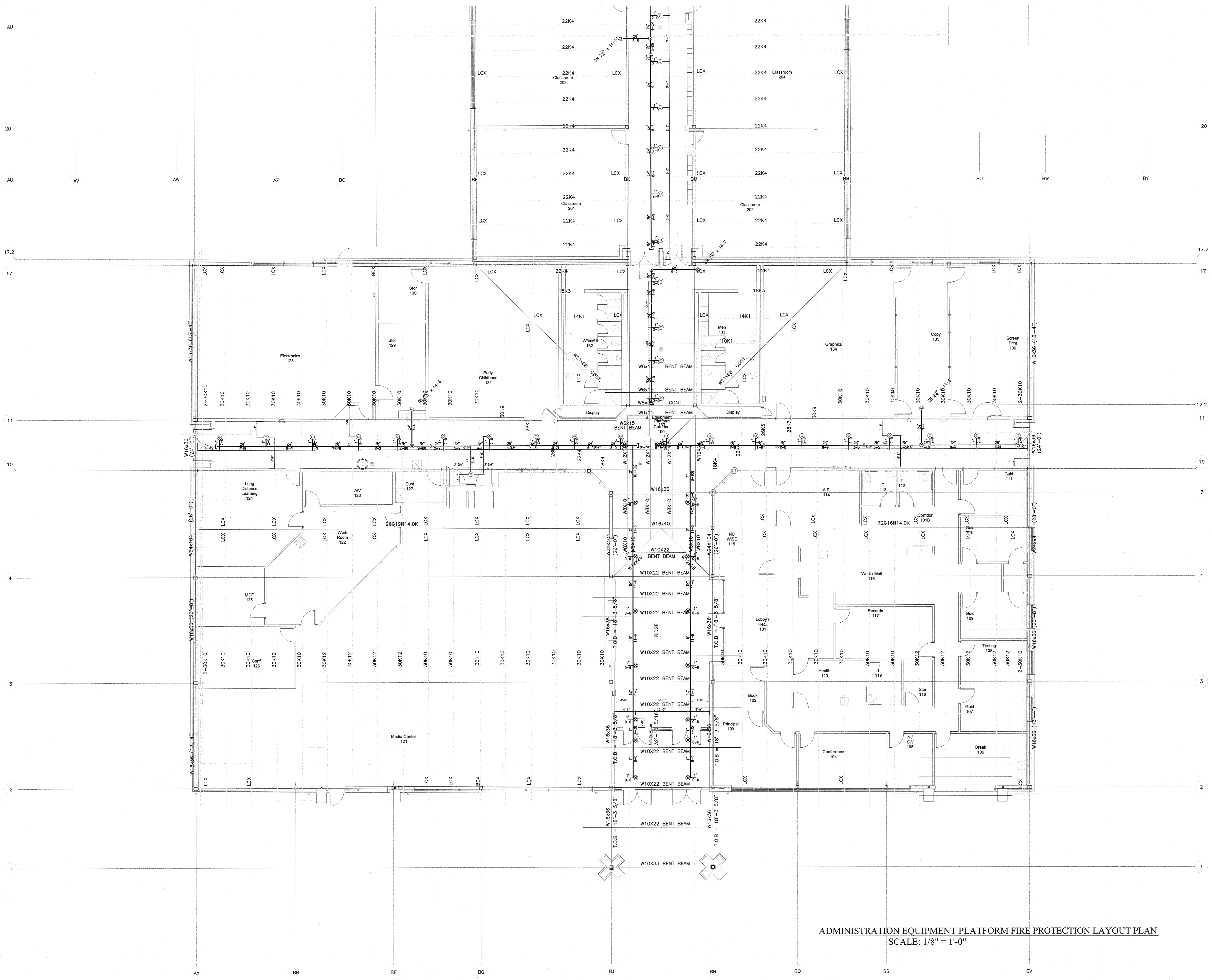
SPRINKLER SUMMARY											
SYMBOL	TYPE	FINISH	TEMP.	ORF.	"K"	NPT	MANUF.	SNS	ESCU	ESCU	QTY.
SHG	DR CONCEALED	BRASS	175°	1/2"	5.6	1/2"	GLOBE	GL5606	150° WHITE COVERPLATE	1024	1024
SHG	DR UPRIGHT	BRASS	175°	1/2"	5.6	1/2"	GLOBE	GL5615	N/A	97	97
SHG	DR UPRIGHT WITH HEAD GUARD	WHITE	175°	1/2"	5.6	1/2"	GLOBE	GL5601	N/A	32	32
SHG	DR UPRIGHT	BRASS	175°	1/2"	5.6	1/2"	GLOBE	GL5615	N/A	32	32
SHG	DR DRY SIDEWALL	BRASS	175°	1/2"	5.6	1"	GLOBE	GL5637	150° WHITE COVERPLATE	4	4
SHG	DR DRY SIDEWALL	WHITE	175°	1/2"	5.6	1"	GLOBE	GL5641	WHITE RECESSED	1	1
SHG	DR UPRIGHT WITH HEAD GUARD	BRASS	175°	1/2"	5.6	1/2"	GLOBE	GL5615	N/A	7	7
SHG	DR HOR. SIDEWALL	WHITE	175°	1/2"	5.6	1/2"	GLOBE	GL5636	WHITE RECESSED	1	1
TOTAL SPRINKLERS THIS PROJECT											1484
TOTAL SPRINKLERS THIS DRAWING											1484

JOB #: C20-12
 DATE: 2-20-2013
 SCALE: AS NOTED
 DRAWN BY: SHG
 CHECK BY: MRS. MELVIN RANDALL STROTHER
 NICKEL LEVEL III, CERT. NO. 1162455

PHOENIX FIRE PROTECTION, INC.
 P.O. BOX 2881
 2863 LEE AVENUE
 SANFORD, N.C. 27332
 PHONE: (919) 774-3042 FAX: (919) 774-1492

FIRE PROTECTION
NEW BERTIE HIGH SCHOOL
 716 US 13 NORTH
 WINDSOR, NORTH CAROLINA

SHEET NO. FP-17 OF 22
 DATE: 2-18-14



ADMINISTRATION EQUIPMENT PLATFORM FIRE PROTECTION LAYOUT PLAN
SCALE: 1/8" = 1'-0"

AS BUILT DRAWINGS
2-10-2014

PLAN NORTH

N.C. LICENSE NO. PFS-13628

APPROVING AGENCIES
 APPROVING AUTHORITY: BERTIE COUNTY FIRE MARSHALL
 UNDERWRITER: N.C. DEPT. OF INSURANCE
 GENERAL CONTRACTOR: WIMCO CONSTRUCTION
 ADDRESS: 2533 W. 5th STREET WASHINGTON, NC 27889-9078
 PHONE NO.: 252-946-5175
 FAX NO.: 252-946-4943

This fire sprinkler planning and design drawing has been prepared by Phoenix Fire Protection, Inc. as a licensed fire sprinkler contractor under Article 2 of Chapter 87 of the General Statutes for Phoenix Fire Protection, Inc.'s exclusive use pursuant to G.S. §89C-25(8), and Phoenix Fire Protection's must perform any and all installation work and other work performed in reliance on this drawing pursuant to G.S. §55B-15(a)(2). Installation work or any other work performed by any other person or entity in reliance on this drawing or any copy thereof is strictly prohibited. © 2010 Phoenix Fire Protection, Inc.

REVISIONS	
#	DATE
1	2/20/2013
2	4/11/2013

SPRINKLER SUMMARY											
SY	TYPE	FINISH	TEMP	ORIF.	"K"	NPT	MANUF.	SNR	ESCUTCHEON	QTY.	
SHG	DR CONCEALED	BRASS	175°	1/2"	5.6	1/2"	GLOBE	GL5609	155° WHITE COVERPLATE	104	
SHG	DR UPRIGHT	BRASS	175°	1/2"	5.6	1/2"	GLOBE	GL5615	N/A	318	
SHG	DR UPRIGHT ON 1" SPRIG UP WITH HEAD GUARD	WHITE	175°	1/2"	5.6	1/2"	GLOBE	GL5601	N/A	97	
SHG	DR UPRIGHT	BRASS	175°	1/2"	5.6	1/2"	GLOBE	GL5615	N/A	32	
SHG	DR DRY CONCEALED	BRASS	175°	1/2"	5.6	1/2"	GLOBE	GL5637	155° WHITE COVERPLATE	4	
SHG	DR DRY SIDEWALL	WHITE	175°	1/2"	5.6	1/2"	GLOBE	GL5641	WHITE RECESSED	1	
SHG	DR UPRIGHT WITH HEAD GUARD	BRASS	175°	1/2"	5.6	1/2"	GLOBE	GL5615	N/A	7	
SHG	DR HOR. SIDEWALL	WHITE	175°	1/2"	5.6	1/2"	GLOBE	GL5626	WHITE RECESSED	1	
TOTAL SPRINKLERS THIS PROJECT										1484	
TOTAL SPRINKLERS THIS DRAWING										1484	

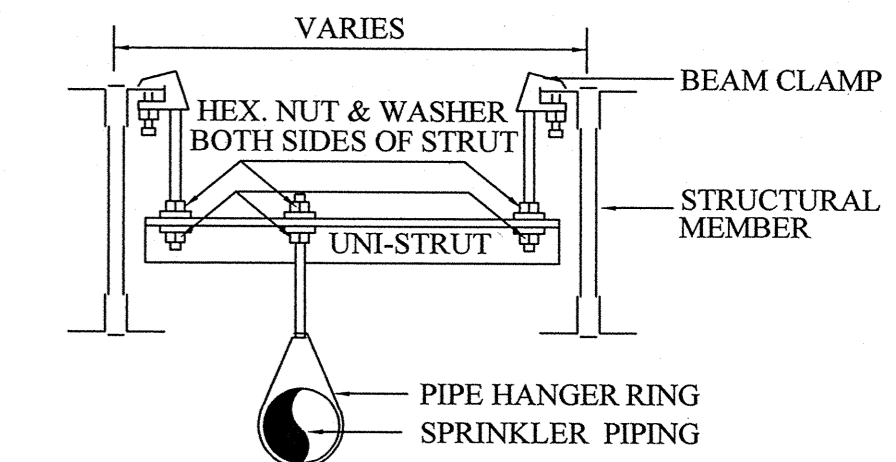
PHOENIX FIRE PROTECTION, INC.
 P.O. BOX 2881
 2863 LEE AVENUE
 SANFORD, N.C. 27332
 PHONE: (919) 774-3042 FAX: (919) 774-1492

FIRE PROTECTION
NEW BERTIE HIGH SCHOOL
 716 US 13 NORTH
 WINDSOR, NORTH CAROLINA

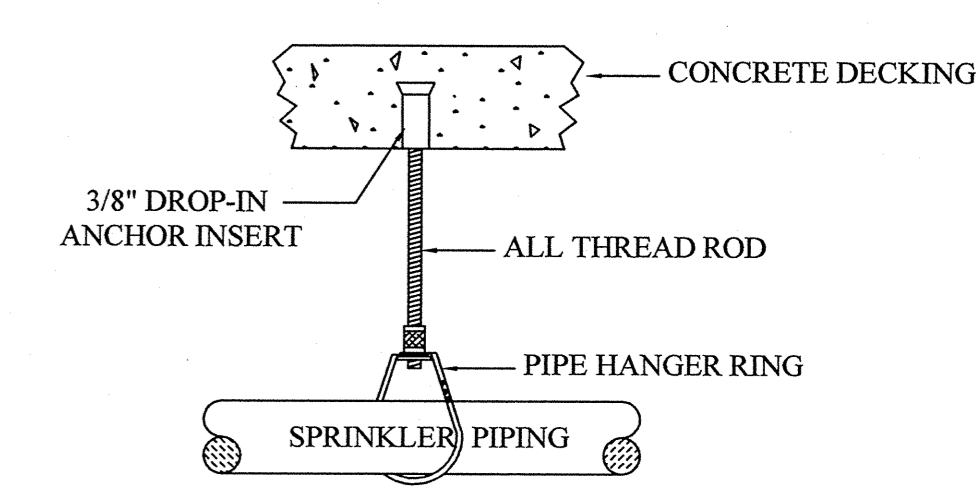
DATE: 2-10-2014
 DRAWN BY: MRS. RANDALL STROTHER
 CHECKED BY: MRS. RANDALL STROTHER
 N.C. LEVEL III, CERT. NO. 138465

TRAPEZE HANGERS USING STRUT OR ANGLE IRON

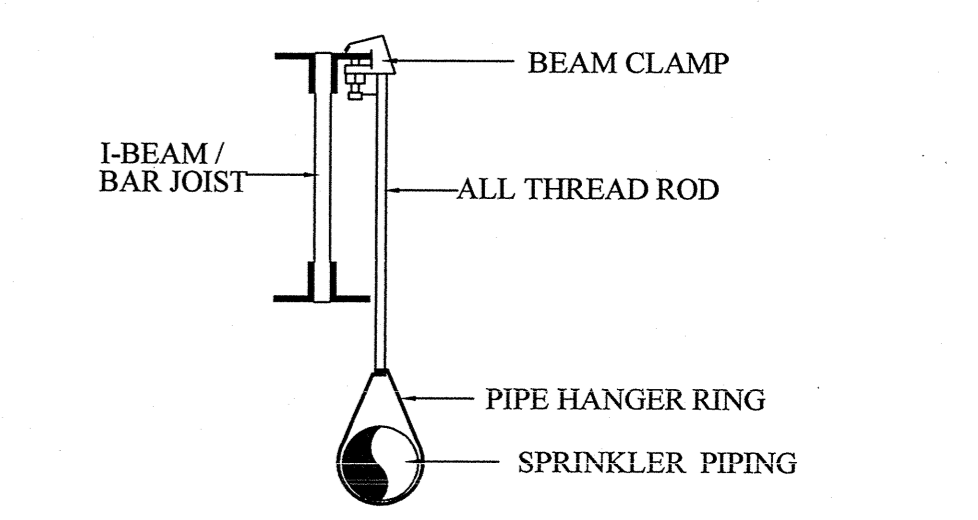
LENGTH OF TRAPEZE BAR	NOMINAL PIPE SIZES							
	2 1/2" (63 mm) OR LESS	3" (76 mm)	3 1/2" (90 mm)	4" (102 mm)	5" (127 mm)	6" (152 mm)	8" (203 mm)	10" (254 mm)
1/4" (6.35 mm)	1 1/2" x 1 1/2" x 3/16"	1 1/2" x 1 1/2" x 3/16"	1 1/2" x 1 1/2" x 3/16"	2" x 1 1/2" x 3/16"	2" x 1 1/2" x 3/16"	2 1/2" x 1 1/2" x 3/16"	3" x 2" x 3/16"	3" x 2" x 1/4"
3/8" (9.5 mm)	1 1/2" x 1 1/2" x 3/16"	2" x 1 1/2" x 3/16"	2" x 1 1/2" x 3/16"	2" x 1 1/2" x 3/16"	2 1/2" x 1 1/2" x 3/16"	2 1/2" x 1 1/2" x 3/16"	3" x 2" x 3/16"	3" x 2" x 1/4"
1/2" (12.7 mm)	2" x 1 1/2" x 3/16"	2" x 1 1/2" x 3/16"	2" x 1 1/2" x 3/16"	2 1/2" x 1 1/2" x 3/16"	2 1/2" x 1 1/2" x 3/16"	3" x 2" x 3/16"	3" x 2" x 3/16"	3" x 2" x 1/4"
5/8" (15.9 mm)	2" x 1 1/2" x 3/16"	2" x 1 1/2" x 3/16"	2 1/2" x 1 1/2" x 3/16"	2 1/2" x 1 1/2" x 3/16"	3" x 2" x 3/16"	3" x 2" x 3/16"	3" x 2" x 3/16"	3" x 2" x 1/4"
3/4" (19.1 mm)	2" x 1 1/2" x 3/16"	2" x 1 1/2" x 3/16"	2 1/2" x 1 1/2" x 3/16"	2 1/2" x 1 1/2" x 3/16"	3" x 2" x 3/16"	3" x 2" x 3/16"	3" x 2" x 3/16"	3" x 2" x 1/4"
7/8" (21.9 mm)	2" x 1 1/2" x 3/16"	2 1/2" x 1 1/2" x 3/16"	2 1/2" x 1 1/2" x 3/16"	3" x 2" x 3/16"	3" x 2" x 3/16"	3" x 2" x 3/16"	3" x 2" x 3/16"	3" x 2" x 1/4"
1" (25.4 mm)	2" x 1 1/2" x 3/16"	2 1/2" x 1 1/2" x 3/16"	2 1/2" x 1 1/2" x 3/16"	3" x 2" x 3/16"	3" x 2" x 3/16"	3" x 2" x 3/16"	3" x 2" x 3/16"	3" x 2" x 1/4"
1 1/8" (28.6 mm)	2" x 1 1/2" x 3/16"	2 1/2" x 1 1/2" x 3/16"	2 1/2" x 1 1/2" x 3/16"	3" x 2" x 3/16"	3" x 2" x 3/16"	3" x 2" x 3/16"	3" x 2" x 3/16"	3" x 2" x 1/4"
1 1/4" (31.8 mm)	2" x 1 1/2" x 3/16"	2 1/2" x 1 1/2" x 3/16"	2 1/2" x 1 1/2" x 3/16"	3" x 2" x 3/16"	3" x 2" x 3/16"	3" x 2" x 3/16"	3" x 2" x 3/16"	3" x 2" x 1/4"
1 1/2" (38.1 mm)	2" x 1 1/2" x 3/16"	2 1/2" x 1 1/2" x 3/16"	2 1/2" x 1 1/2" x 3/16"	3" x 2" x 3/16"	3" x 2" x 3/16"	3" x 2" x 3/16"	3" x 2" x 3/16"	3" x 2" x 1/4"
1 3/4" (44.5 mm)	2" x 1 1/2" x 3/16"	2 1/2" x 1 1/2" x 3/16"	2 1/2" x 1 1/2" x 3/16"	3" x 2" x 3/16"	3" x 2" x 3/16"	3" x 2" x 3/16"	3" x 2" x 3/16"	3" x 2" x 1/4"
2" (50.8 mm)	2" x 1 1/2" x 3/16"	2 1/2" x 1 1/2" x 3/16"	2 1/2" x 1 1/2" x 3/16"	3" x 2" x 3/16"	3" x 2" x 3/16"	3" x 2" x 3/16"	3" x 2" x 3/16"	3" x 2" x 1/4"



TRAPEZE HANGER DETAIL
N.T.S.



CONCRETE HANGER DETAIL
N.T.S.

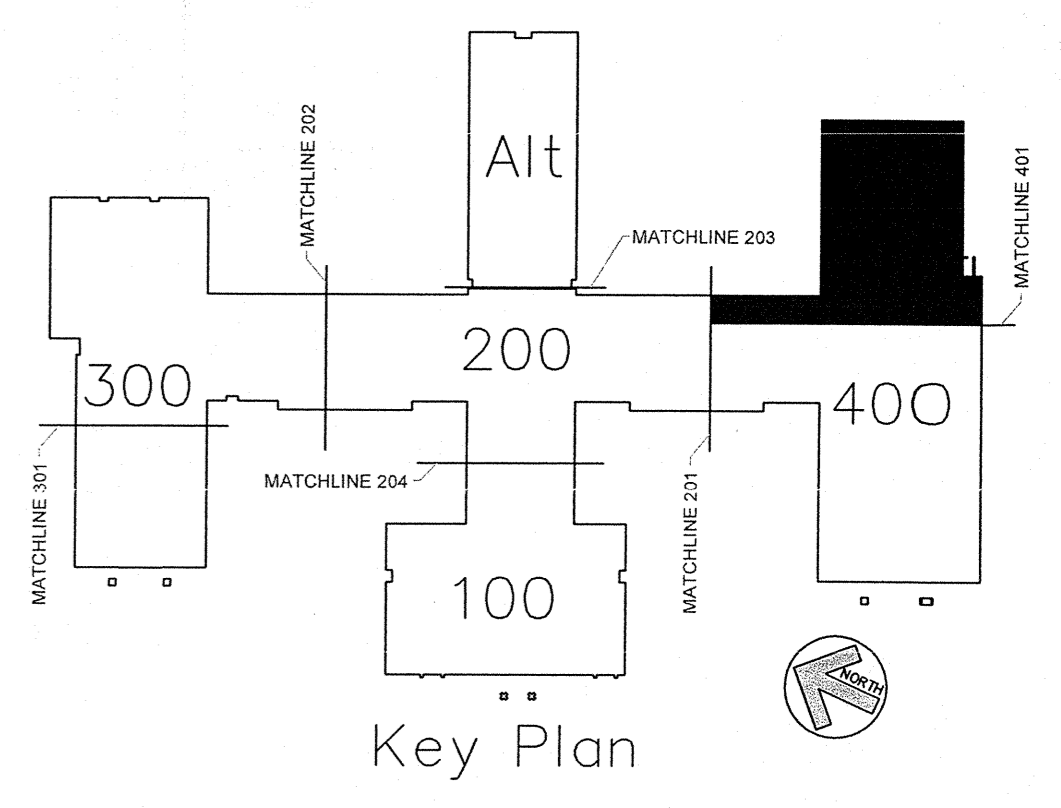


STRUCTURAL HANGER DETAIL
N.T.S.

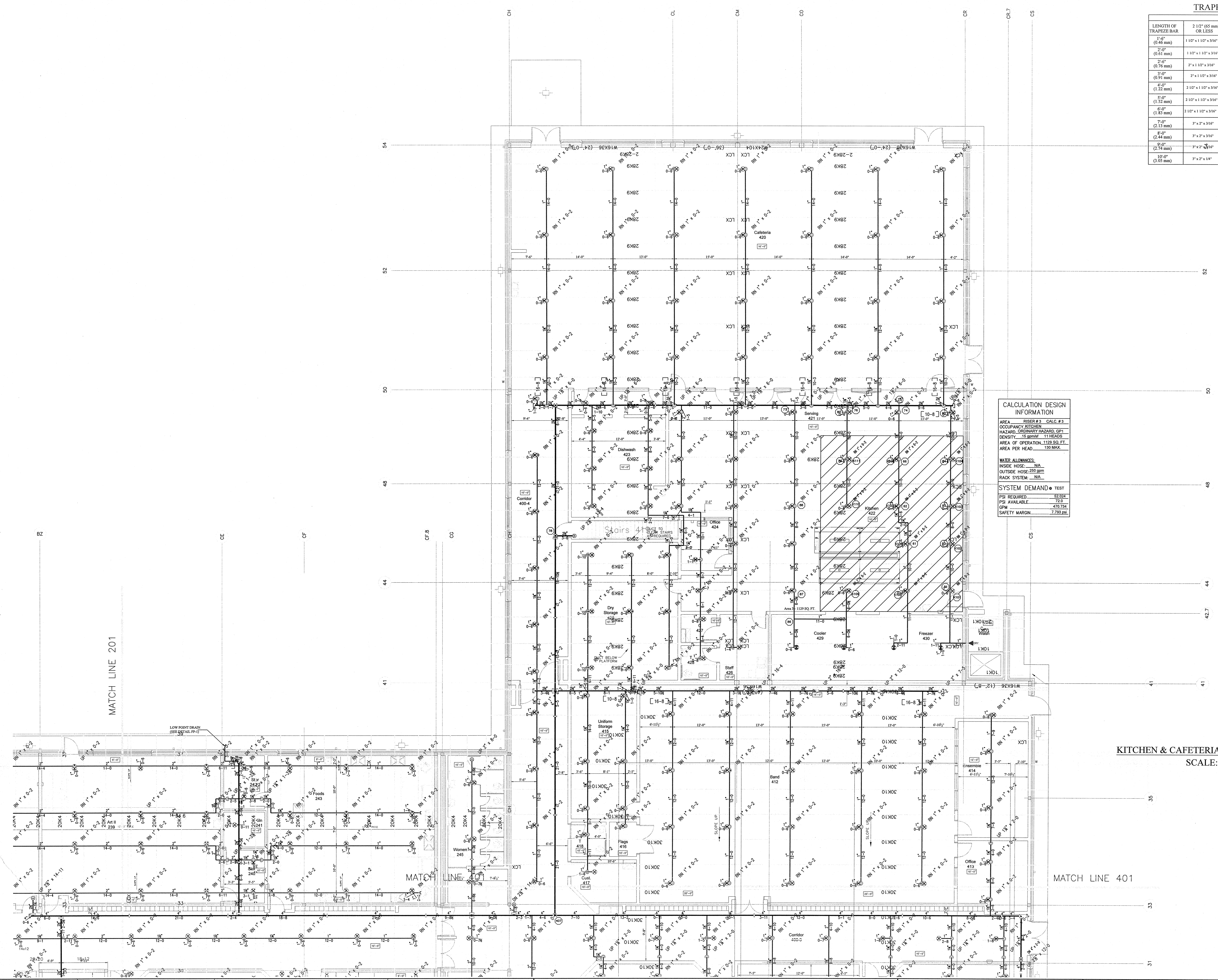
CALCULATION DESIGN INFORMATION

AREA	RISER #3 CALC #3
OCCUPANCY	KITCHEN
HAZARD	ORDINARY HAZARD, GP1
DENSITY	15 gpm/ft ² 11 HEADS
AREA OF OPERATION	1150 SQ. FT.
AREA PER HEAD	100 MAX.
WATER ALLOWANCES:	
HOSE HOSE	N/A
OUTSIDE HOSE	250 gpm
RACK SYSTEM	N/A
SYSTEM DEMAND	TEST
PSI REQUIRED	52.504
PSI AVAILABLE	72.0
OSM	479.734
SAFETY MARGIN	7.783 PSI

KITCHEN & CAFETERIA FIRE PROTECTION PIPING LAYOUT PLAN
SCALE: 1/8" = 1'-0"



AS BUILT DRAWINGS
2-10-2014



APPROVING AGENCIES

APPROVING AUTHORITY: BERTIE COUNTY FIRE MARSHALL

UNDERWRITER: N.C. DEPT. OF INSURANCE

GENERAL CONTRACTOR: WIMCO CONSTRUCTION
ADDRESS: 2533 W. 5th STREET
CITY & STATE: WASHINGTON, NC 27889-9078
PHONE NO.: 252-946-5175
FAX NO.: 252-946-4843

This fire sprinkler planning and design drawing has been prepared by Phoenix Fire Protection, Inc. as a licensed fire sprinkler contractor under Article 2 of Chapter 87 of the General Statutes for Phoenix Fire Protection, Inc.'s exclusive use pursuant to G.S. §89C-25(8), and Phoenix Fire Protection's must perform any and all installation work and other work performed in reliance on this drawing pursuant to G.S. §55B-15(a)(2). Installation work or any other work performed by any other person or entity in reliance on this drawing or any copy thereof is strictly prohibited. © 2010 Phoenix Fire Protection, Inc.

REVISIONS

#	DATE	DESCRIPTION	BY	SYM
1	2/20/2012	ISSUE FOR SUBMITTAL	SHG	OR CONCEALED
2	4/11/2013	PROVIDE COVERAGE UNDER CATWALK PER DOI COMMENTS	SHG	OR UPRIGHT WITH HEAD GUARD

SPRINKLER SUMMARY

TYPE	FINISH	TEMP	ORIF	K	NPT	MANUF	SNR	ES	QTY
OR CONCEALED	BRASS	175°	1/2"	5.6	1/2"	GLOBE	GL5600	155° WHITE COVERPLATE	1024
OR UPRIGHT WITH HEAD GUARD	BRASS	175°	1/2"	5.6	1/2"	GLOBE	GL5615	N/A	318
OR UPRIGHT	WHITE	175°	1/2"	5.6	1/2"	GLOBE	GL5601	N/A	97
OR DRY CONCEALED	BRASS	175°	1/2"	5.6	1/2"	GLOBE	GL5615	155° WHITE COVERPLATE	4
OR DRY SIDEWALL	WHITE	175°	1/2"	5.6	1/2"	GLOBE	GL5641	WHITE RECESSED	32
OR UPRIGHT WITH HEAD GUARD	BRASS	175°	1/2"	5.6	1/2"	GLOBE	GL5615	N/A	7
OR HOR. SIDEWALL	WHITE	175°	1/2"	5.6	1/2"	GLOBE	GL5626	WHITE RECESSED	1

TOTAL SPRINKLERS THIS PROJECT: 1484
TOTAL SPRINKLERS THIS DRAWING: 1484

JOB #: C20-12

DATE: 2-20-2013

SCALE: AS NOTED

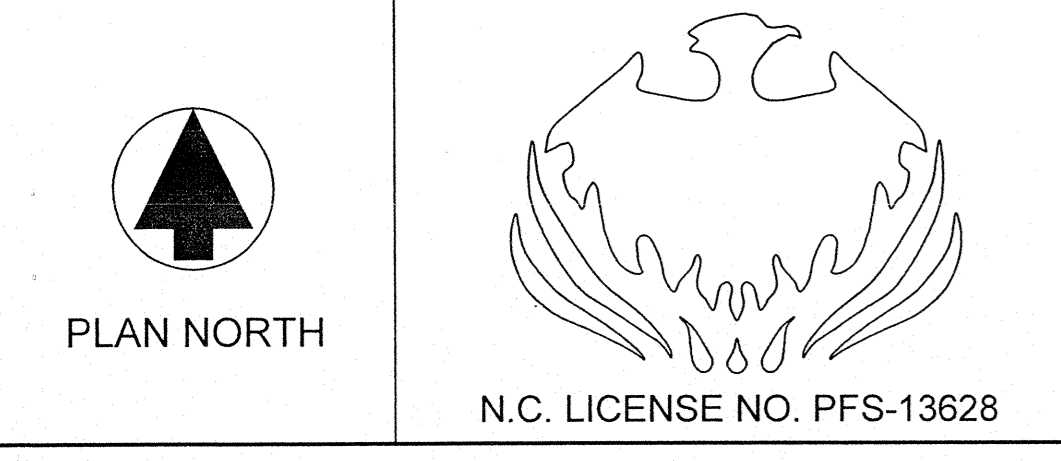
DRAWN BY: SHG

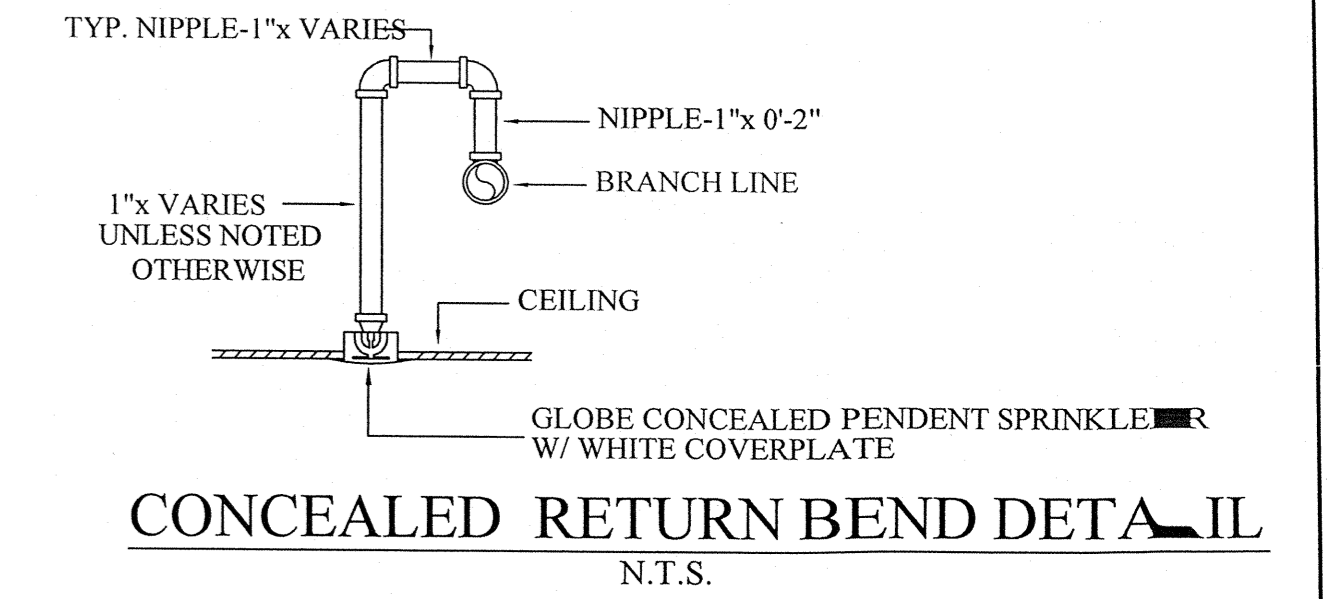
CHK BY: MRS MELVIN RANDALL STROTHER
INSET LEVEL III, CERT. NO. 115465

PHOENIX FIRE PROTECTION, INC.
P.O. BOX 2881
2861 LEE AVENUE
SANFORD, N.C. 27332
PHONE: (919) 774-3942 FAX: (919) 774-1492

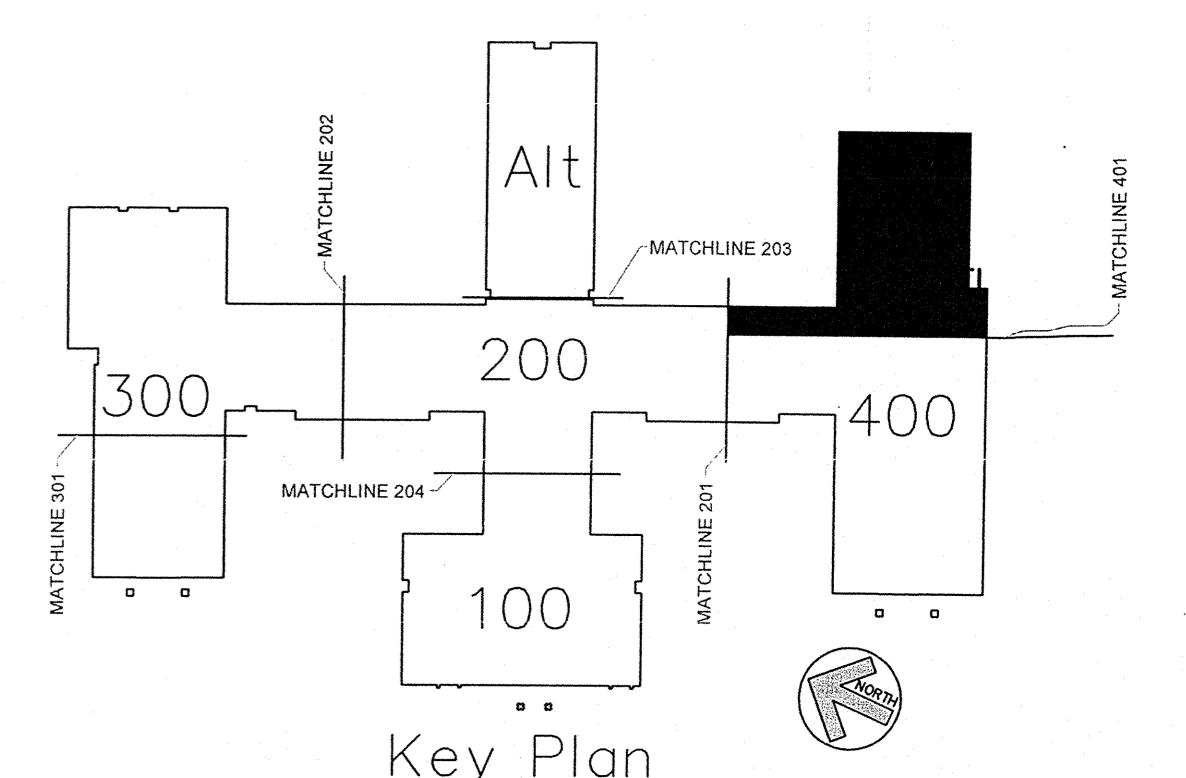
FIRE PROTECTION
NEW BERTIE HIGH SCHOOL
716 US 13 NORTH
WINDSOR, NORTH CAROLINA

SHEET NO. FP-15
OF 22





KITCHEN & CAFETERIA FIRE PROTECTION HEAD LAYOUT PLAN
SCALE: 1/8" = 1'-0"



Key Plan
AS BUILT DRAWINGS
2-10-2014

APPROVING AGENCIES
 APPROVING AUTHORITY: BERTIE COUNTY FIRE MARSHALL
 UNDERWRITER: N.C. DEPT. OF INSURANCE
 GENERAL CONTRACTOR: WIMCO CONSTRUCTION
 ADDRESS: 2533 W. 5th STREET
 CITY & STATE: WASHINGTON, NC 27889-9078
 PHONE NO.: 252-946-5175
 FAX NO.: 252-946-4943

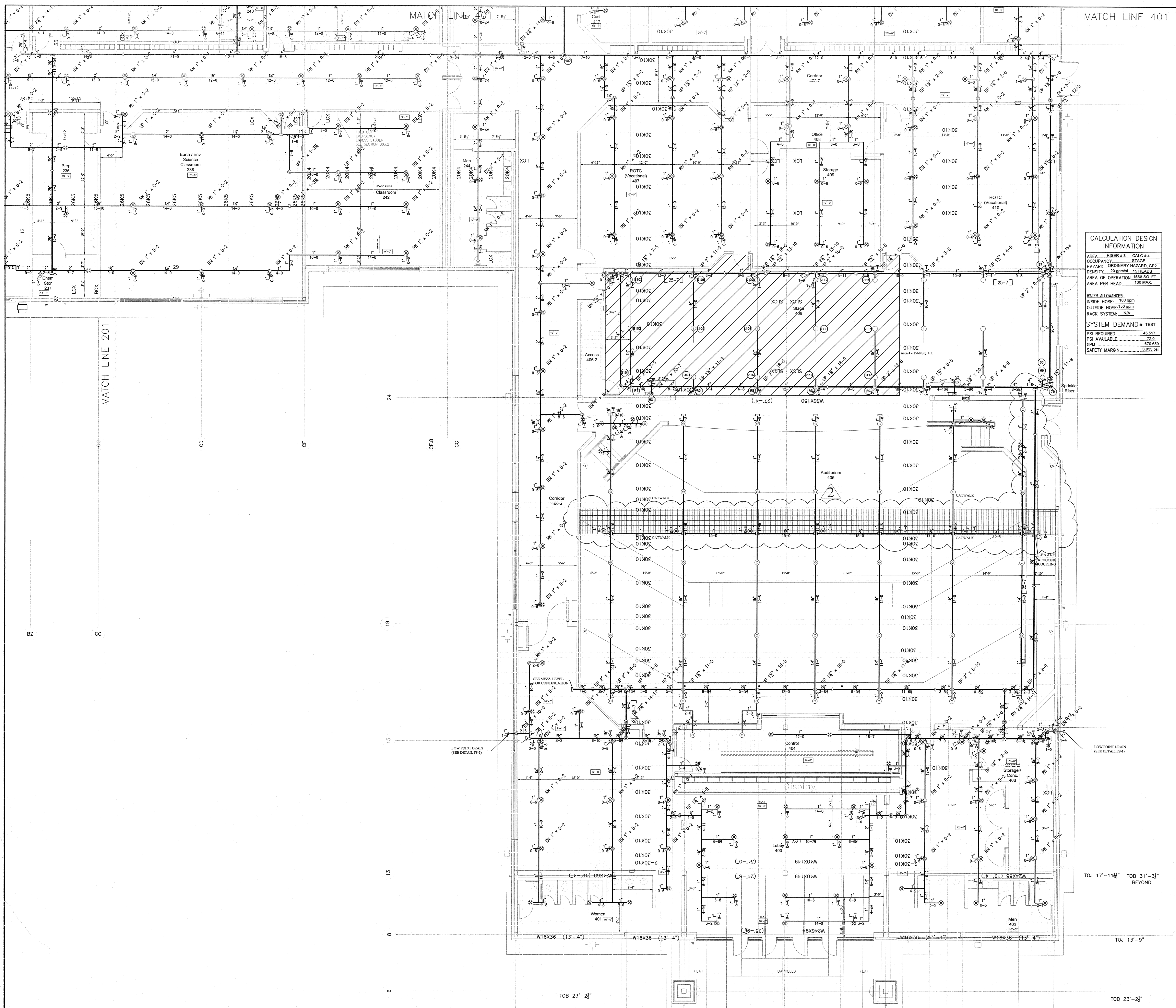
This fire sprinkler planning and design drawing has been prepared by Phoenix Fire Protection, Inc. as a licensed fire sprinkler contractor under Article 2 of Chapter 87 of the General Statutes for Phoenix Fire Protection, Inc.'s exclusive use pursuant to G.S. §89C-25(8), and Phoenix Fire Protection s must perform any and all installation work and other work performed in reliance on this drawing pursuant to G.S. §55B-15(a)(2). Installation work or any other work performed by any other person or entity in reliance on this drawing or any copy thereof is strictly prohibited. © 2010 Phoenix Fire Protection, Inc.

REVISIONS		SPRINKLER SUMMARY												
#	DATE	DESCRIPTION	BY	SYM	TYPE	FINISH	TEMP	DRIF.	"K"	NPT	MANUF.	SINP	ESCUTCHEON	QTY.
1	2/20/2013	ISSUE FOR SUBMITTAL	SHG	⊗	DR CONCEALED	BRASS	175°	1/2"	5.6	1/2"	GLOBE	GL5606	155° WHITE COVERPLATE	1024
2	4/11/2013	PROVIDE COVERAGE UNDER CATWALK PER DOI COMMENTS	SHG	⊗	DR UPRIGHT	WHITE	175°	1/2"	5.6	1/2"	GLOBE	GL5653	N/A	318
				⊗	DR UPRIGHT WITH HEAD GUARD	WHITE	175°	1/2"	5.6	1/2"	GLOBE	GL5651	N/A	99
				⊗	DR UPRIGHT	BRASS	175°	1/2"	5.6	1/2"	GLOBE	GL5615	N/A	32
				⊗	DR DRY CONCEALED	BRASS	175°	1/2"	5.6	1"	GLOBE	GL5637	155° WHITE COVERPLATE	4
				⊗	DR DRY SIDEWALL	WHITE	175°	1/2"	5.6	1"	GLOBE	GL5641	155° WHITE RECESSED	1
				⊗	DR UPRIGHT	BRASS	175°	1/2"	5.6	1/2"	GLOBE	GL5615	N/A	3
				⊗	DR HOR. SIDEWALL	WHITE	175°	1/2"	5.6	1/2"	GLOBE	GL5626	WHITE RECESSED	1
TOTAL SPRINKLERS THIS PROJECT												1464	TOTAL SPRINKLERS THIS DRAWING	1464

JOB #: C20-12
 DATE: 2-20-2013
 SCALE: AS NOTED
 DRAWN BY: SHG
 CHECKED BY: MRS. MELVON RANDALL STROTHER
 N.C. LICENSE NO. 116465
 DATE: 2-18-14
 SHEET NO. P-14 OF 22

PHOENIX FIRE PROTECTION, INC.
 P.O. BOX 2851
 SANFORD, N.C. 27332
 PHONE: (919) 774-5042 FAX: (919) 774-1492

FIRE PROTECTION
 NEW BERTIE HIGH SCHOOL
 716 US 13 NORTH
 WINDSOR, NORTH CAROLINA



LENGTH OF TRAPEZE BAR OR LESS	NOMINAL PIPE SIZES					
	2 1/2" (65 mm)	3" (80 mm)	3 1/2" (90 mm)	4" (100 mm)	5" (125 mm)	6" (150 mm)
1'-0" (0.46 mm)	1 1/2" x 1 1/2" x 3/16"	1 1/2" x 1 1/2" x 3/16"	1 1/2" x 1 1/2" x 3/16"	2" x 1 1/2" x 3/16"	2 1/2" x 1 1/2" x 3/16"	3" x 2" x 1/4"
2'-0" (0.91 mm)	1 1/2" x 1 1/2" x 3/16"	2" x 1 1/2" x 3/16"	2" x 1 1/2" x 3/16"	2 1/2" x 1 1/2" x 3/16"	3" x 2" x 3/16"	3" x 2" x 1/4"
3'-0" (1.37 mm)	2" x 1 1/2" x 3/16"	2" x 1 1/2" x 3/16"	2 1/2" x 1 1/2" x 3/16"	3" x 2" x 3/16"	3" x 2" x 3/16"	3 1/2" x 2 1/2" x 1/4"
4'-0" (1.22 mm)	2 1/2" x 1 1/2" x 3/16"	3" x 2" x 3/16"	3 1/2" x 1 1/2" x 3/16"	3" x 2" x 3/16"	3" x 2" x 3/16"	3 1/2" x 2 1/2" x 5/16"
5'-0" (1.52 mm)	3 1/2" x 1 1/2" x 3/16"	3 1/2" x 1 1/2" x 3/16"	3" x 2" x 3/16"	3" x 2" x 3/16"	3" x 2" x 1/4"	3 1/2" x 2 1/2" x 5/16"
6'-0" (1.83 mm)	3 1/2" x 1 1/2" x 3/16"	3" x 2" x 3/16"	3" x 2" x 3/16"	3" x 2" x 3/16"	3 1/2" x 2 1/2" x 5/16"	4" x 3" x 5/16"
7'-0" (2.13 mm)	3" x 2" x 3/16"	3" x 2" x 3/16"	3" x 2" x 1/4"	3" x 2" x 1/4"	3 1/2" x 2 1/2" x 5/16"	4" x 3" x 5/16"
8'-0" (2.44 mm)	3" x 2" x 3/16"	3" x 2" x 1/4"	3" x 2" x 1/4"	3 1/2" x 2 1/2" x 5/16"	3 1/2" x 2 1/2" x 5/16"	4" x 3" x 5/16"
9'-0" (2.74 mm)	3" x 2" x 3/16"	3" x 2" x 1/4"	3 1/2" x 2 1/2" x 5/16"	3 1/2" x 2 1/2" x 5/16"	4" x 3" x 5/16"	4" x 3" x 5/16"
10'-0" (3.05 mm)	3" x 2" x 1/4"	3" x 2" x 1/4"	3 1/2" x 2 1/2" x 5/16"	3 1/2" x 2 1/2" x 5/16"	4" x 3" x 5/16"	4" x 3" x 5/16"

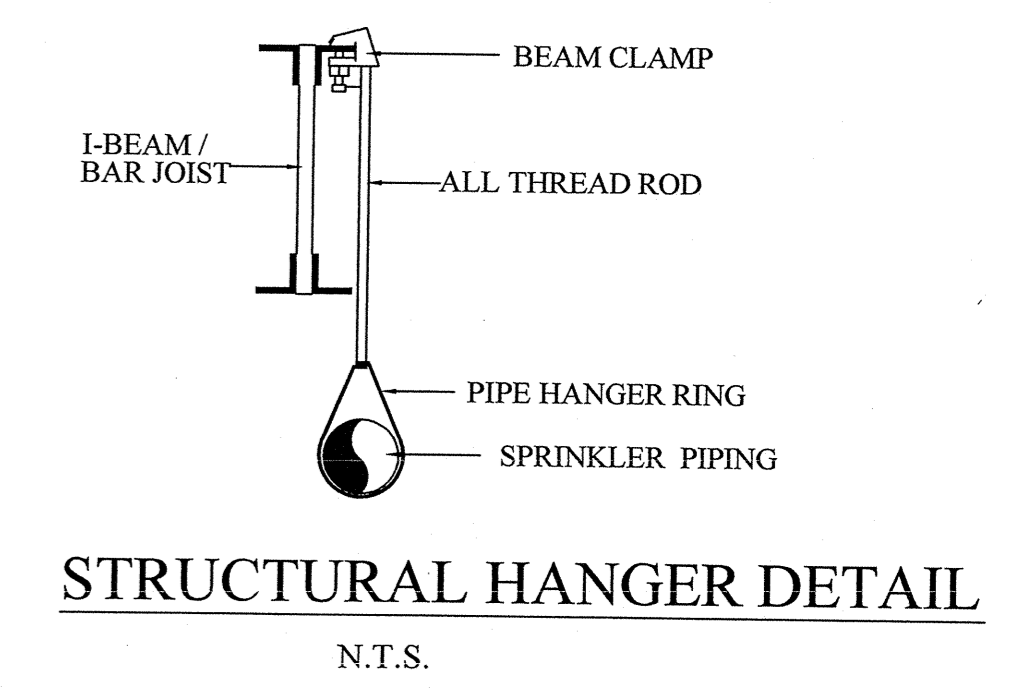
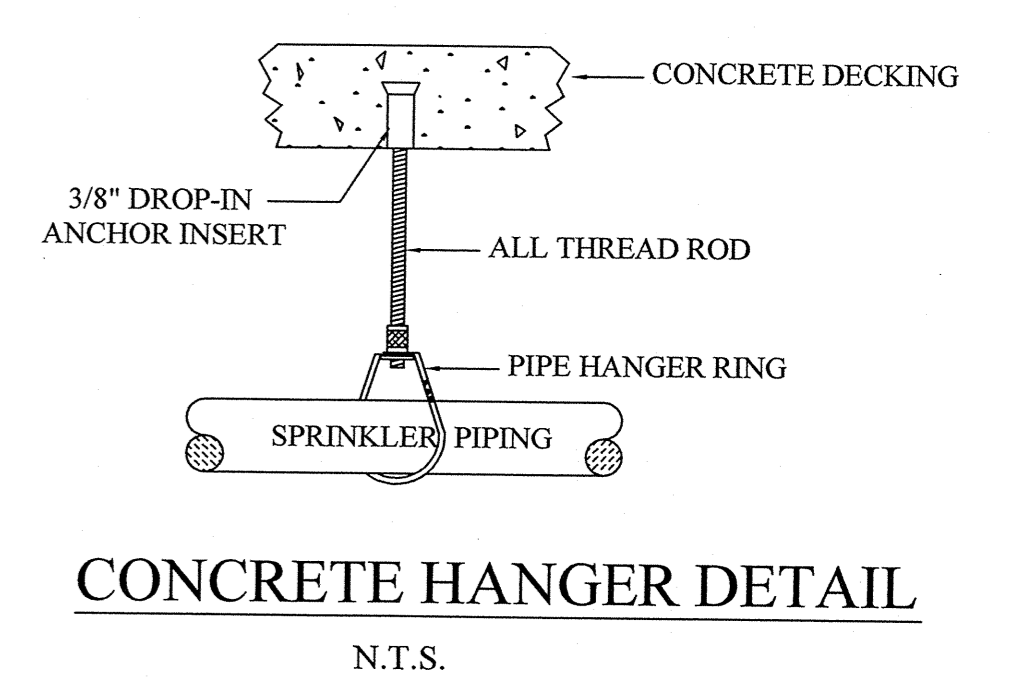
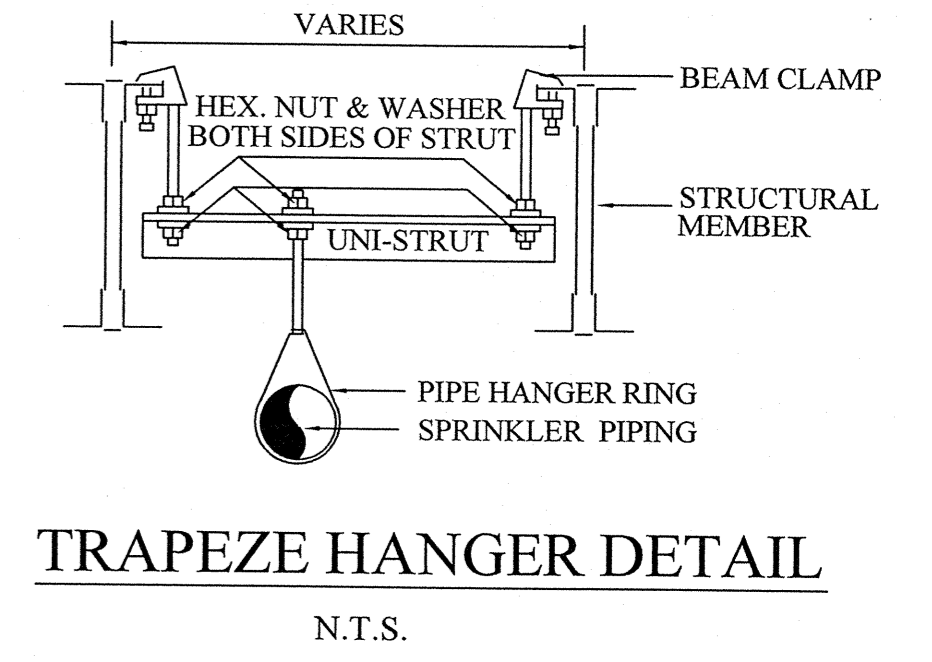
CALCULATION DESIGN INFORMATION

AREA RISER #3 CALC #4
 OCCUPANCY: STAGE
 HAZARD: ORDINARY HAZARD, GP2
 DENSITY: 25 sqm/m² 15 HEADS
 AREA OF OPERATION: 1568 SQ. FT.
 RACK SYSTEM: N/A
 AREA PER HEAD: 130 MAX.

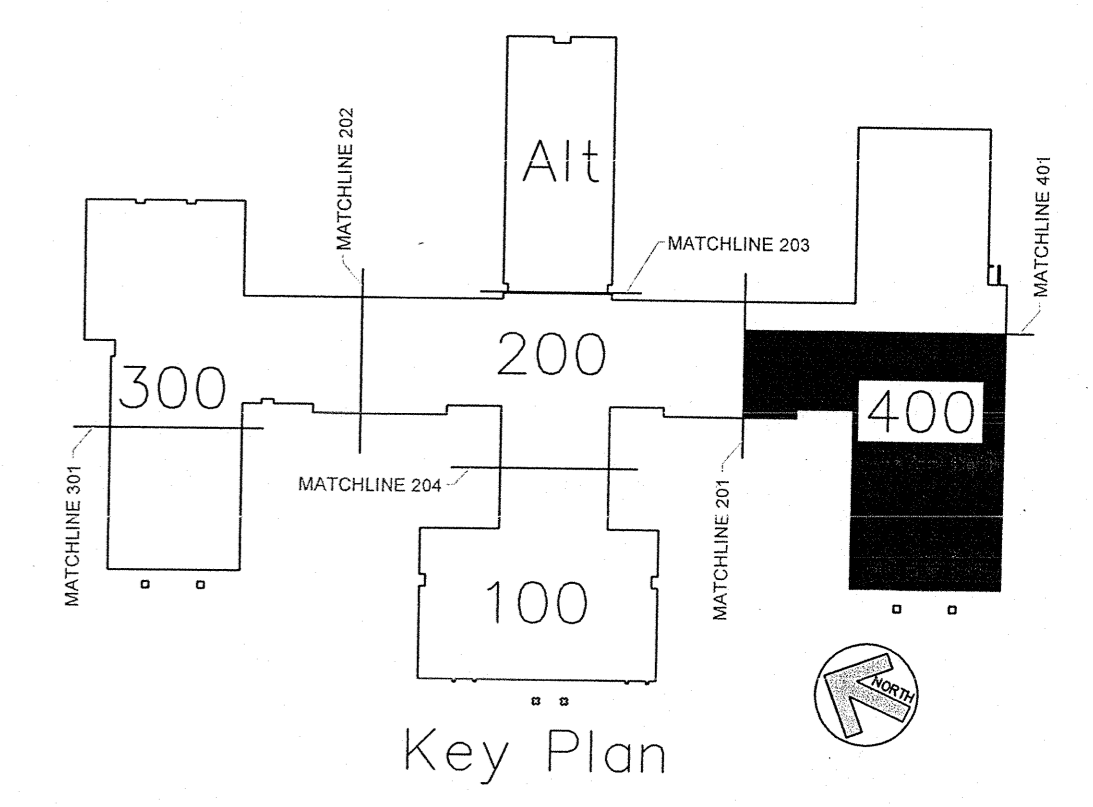
WATER ALLOWANCES:
 INSIDE HOSE: 100 gpm
 OUTSIDE HOSE: 150 gpm
 RACK SYSTEM: N/A

SYSTEM DEMAND • TEST

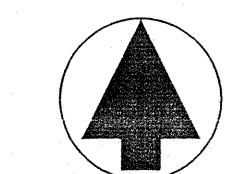
PS REQUIRED: 45.517
 PS AVAILABLE: 72.0
 GPM: 675.659
 SAFETY MARGIN: 3.033 MP



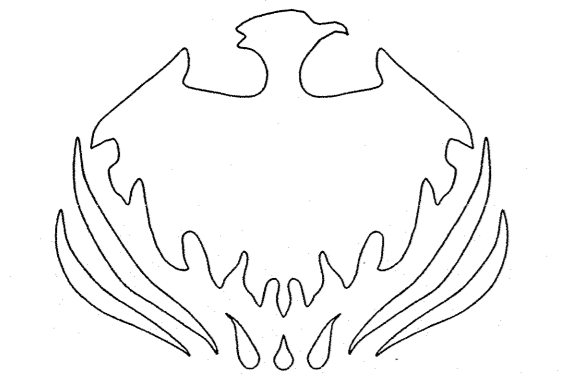
THEATER 400 WING FIRE PROTECTION PIPING LAYOUT PLAN
SCALE: 1/8" = 1'-0"



AS BUILT DRAWINGS
2-10-2014



PLAN NORTH



N.C. LICENSE NO. PFS-13628

APPROVING AGENCIES

APPROVING AUTHORITY: BERTIE COUNTY FIRE MARSHALL

UNDERWRITER: N.C. DEPT. OF INSURANCE

GENERAL CONTRACTOR: WIMCO CONSTRUCTION

ADDRESS: 2533 W. 5th. STREET
WASHINGTON, NC 27889-9078

CITY & STATE: WASHINGTON, NC 27889-9078

PHONE NO.: 252-946-5175

FAX NO.: 252-946-4943

This fire sprinkler planning and design drawing has been prepared by Phoenix Fire Protection, Inc. as a licensed fire sprinkler contractor under Article 2 of Chapter 87 of the General Statutes for Phoenix Fire Protection, Inc.'s exclusive use pursuant to G.S. §89C-25(8), and Phoenix Fire Protection must perform any and all installation work and other work performed in reliance on this drawing pursuant to G.S. §55B-15(a)(2). Installation work or any other work performed by any other person or entity in reliance on this drawing or any copy thereof is strictly prohibited. © 2010 Phoenix Fire Protection, Inc.

REVISIONS		SPRINKLER SUMMARY	
#	DATE	DESCRIPTION	
1	2/20/2013	ISSUE FOR SUBMITTAL	SHG
2	4/11/2013	PROVIDE COVERAGE UNDER CATWALK	SHG
PER DOI COMMENTS			

#	DATE	DESCRIPTION	SYN	TYPE	FINISH	TEMP	ORIF.	Kc	NPT	MANUF.	SNW	ESCUATCHION	QTY.
1		DR CONCEALED	BRASS	1 1/2"	1/2"	5.6	1/2"	GLOBE	GL5606	155° WHITE COVERPLATE	1024		1024
2		DR UPRIGHT	BRASS	1 1/2"	1/2"	5.6	1/2"	GLOBE	GL5615	N/A	318		318
3		DR UPRIGHT WITH HEAD GUARD	BRASS	1 1/2"	1/2"	5.6	1/2"	GLOBE	GL5650	N/A	99		99
4		DR DRY CONCEALED	BRASS	1 1/2"	1/2"	5.6	1/2"	GLOBE	GL5615	155° WHITE COVERPLATE	33		33
5		DR DRY CONCEALED	WHITE	1 1/2"	1/2"	5.6	1/2"	GLOBE	GL5641	WHITE RECESSED	4		4
6		DR UPRIGHT WITH HEAD GUARD	BRASS	1 1/2"	1/2"	5.6	1/2"	GLOBE	GL5615	N/A	7		7
7		DR HOR. SIDEWALL	WHITE	1 1/2"	1/2"	5.6	1/2"	GLOBE	GL5626	WHITE RECESSED	1		1
TOTAL SPRINKLERS THIS PROJECT												1484	
TOTAL SPRINKLERS THIS DRAWING												1484	

JOB #: C20-12

DATE: 2-20-2013

SCALE: AS NOTED

DRAWN BY: SHG

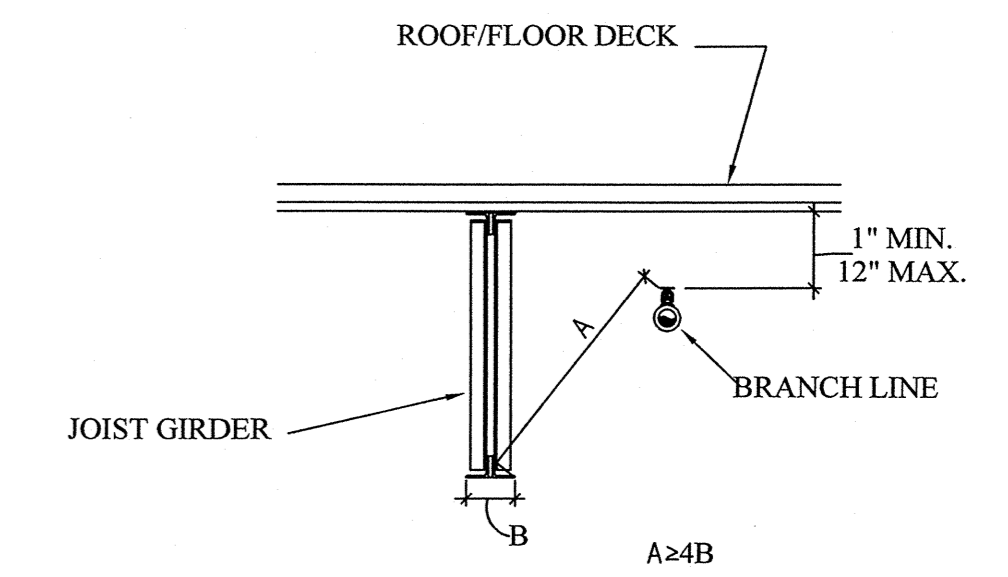
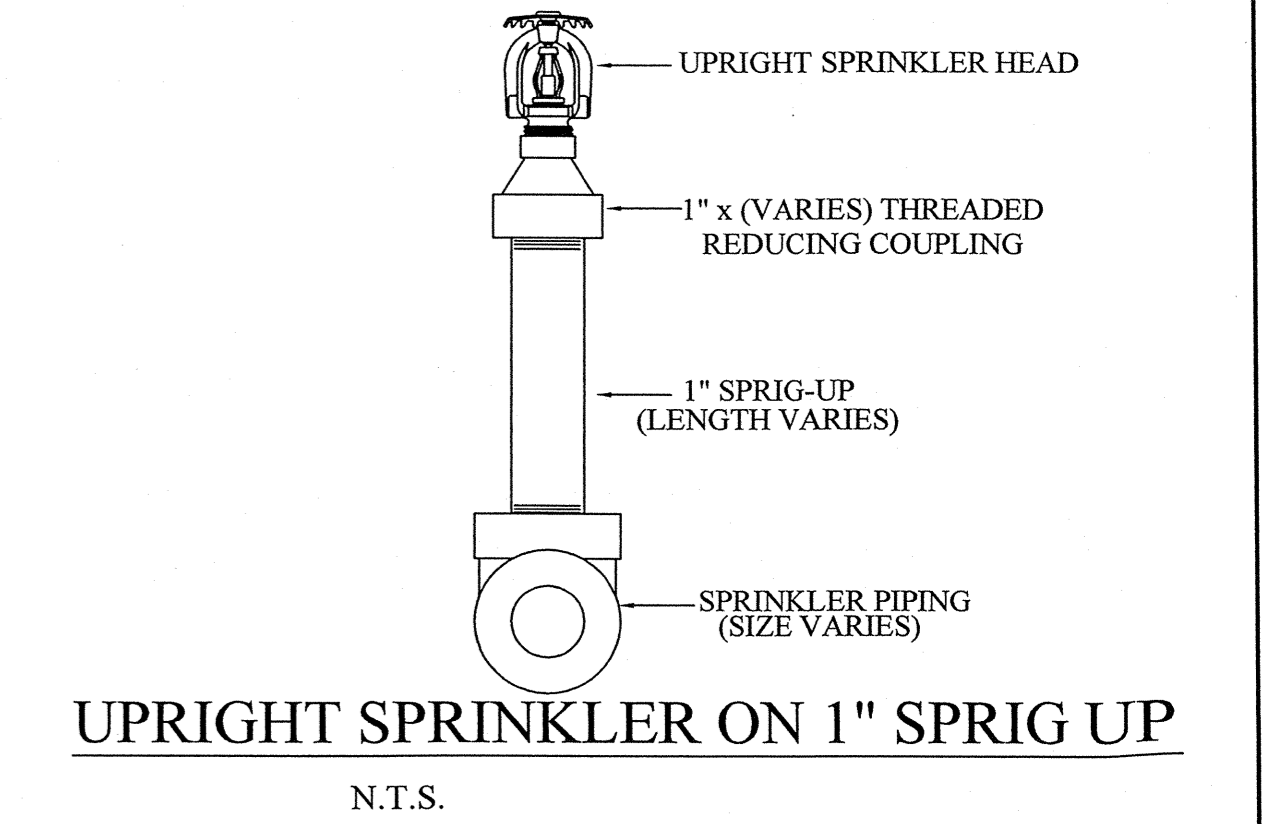
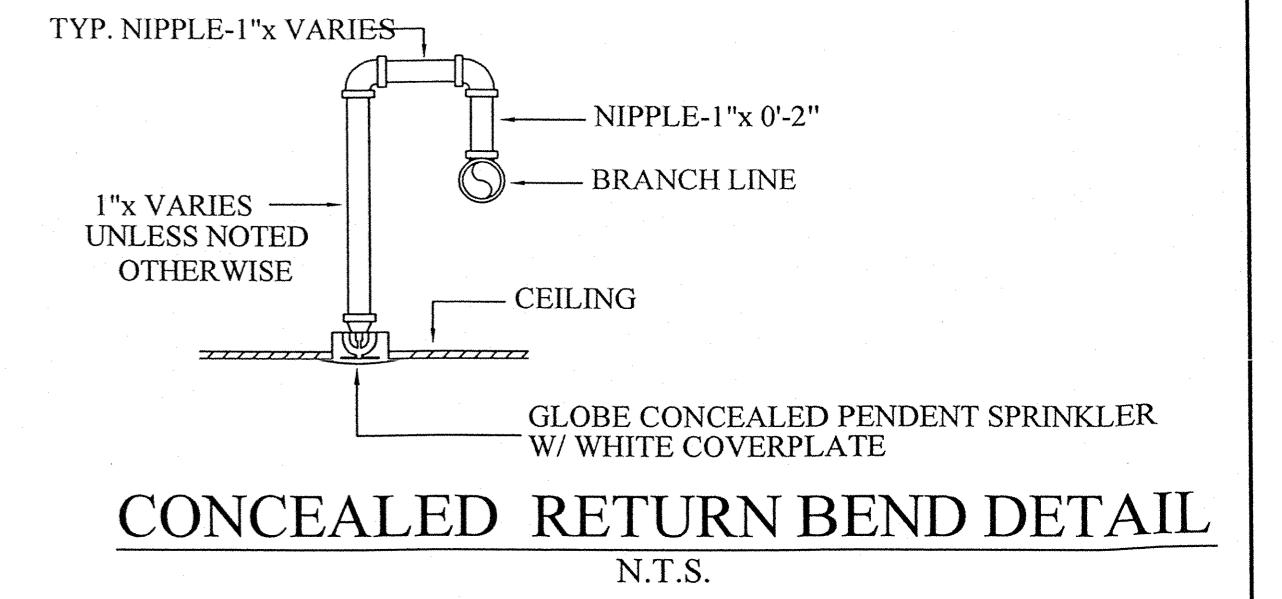
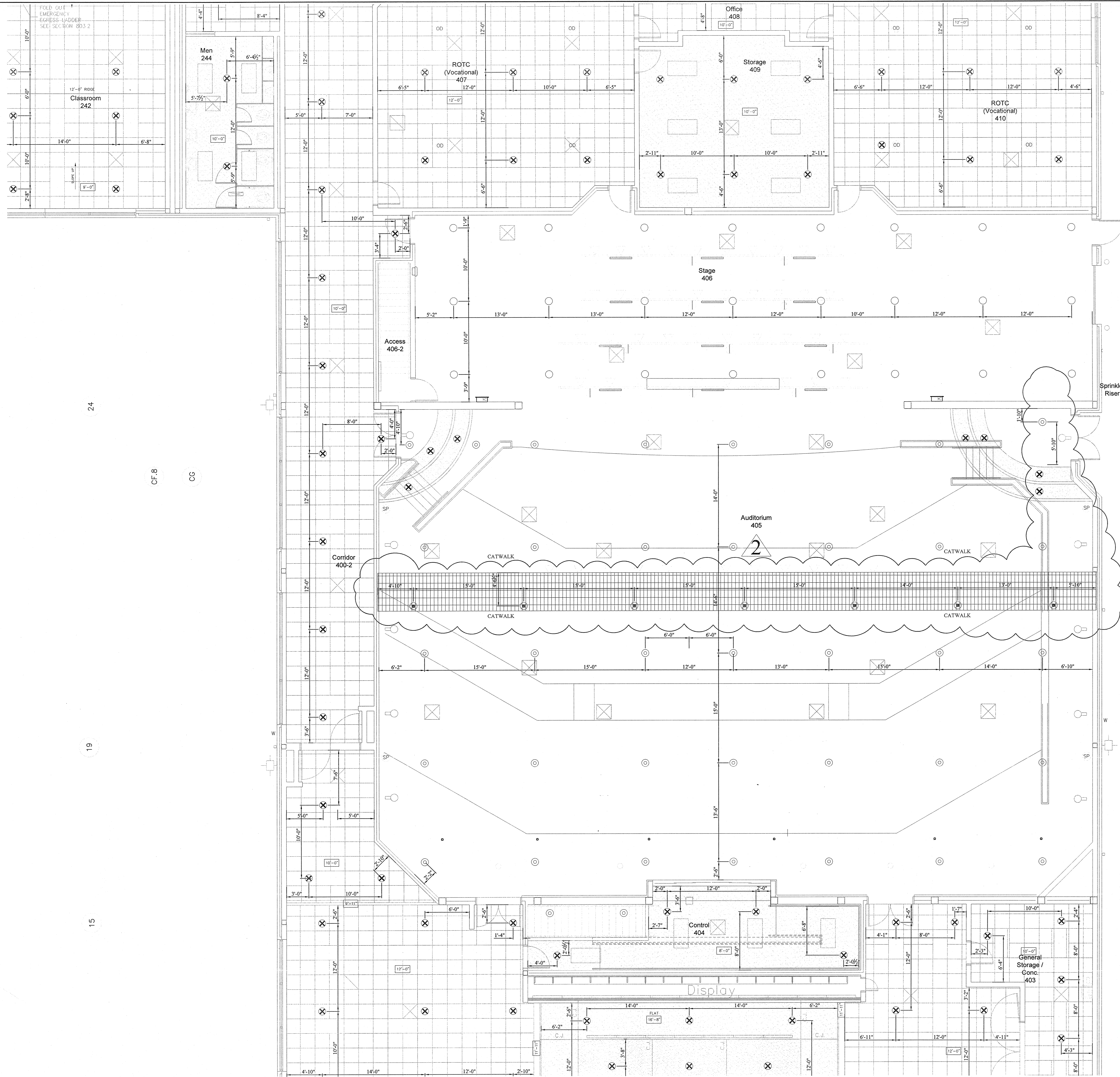
CHK. BY: MRS MELVIN RANDALL STROTHER
NIGET LEVEL III, CERT. NO. 115665

PHOENIX FIRE PROTECTION, INC.
P.O. BOX 2881
2863 LEE AVENUE
SANFORD, N.C. 27332
PHONE: (919) 774-3042 FAX: (919) 774-1492

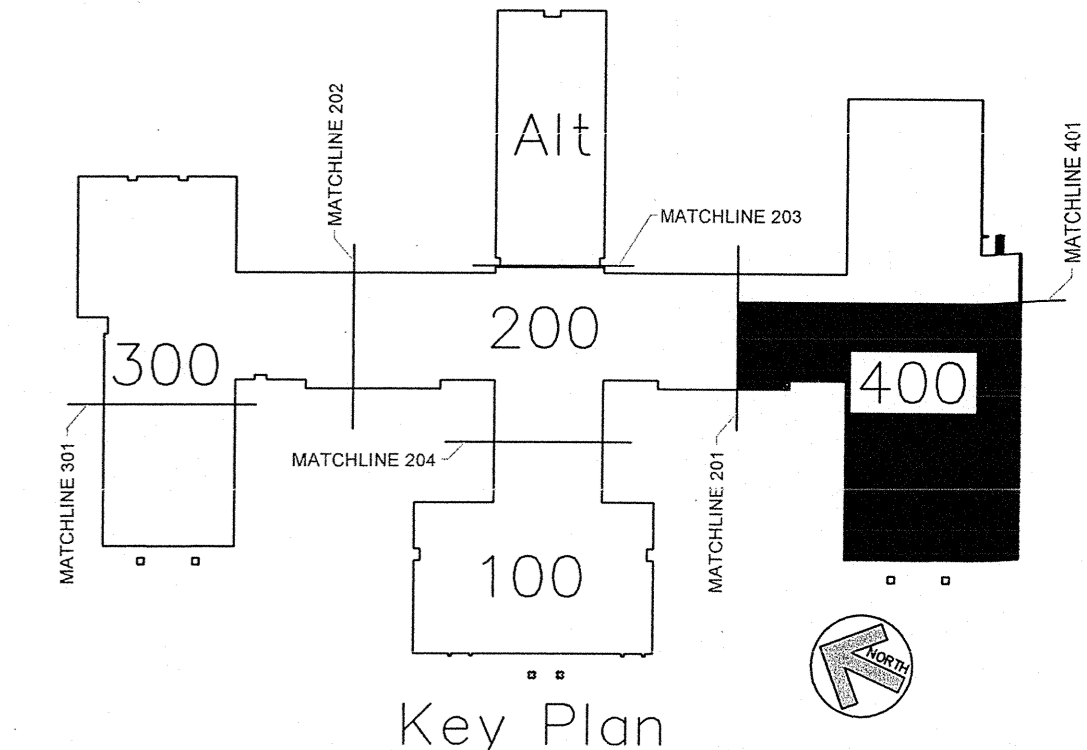
FIRE PROTECTION

NEW BERTIE HIGH SCHOOL
716 US 13 NORTH
WINDSOR, NORTH CAROLINA

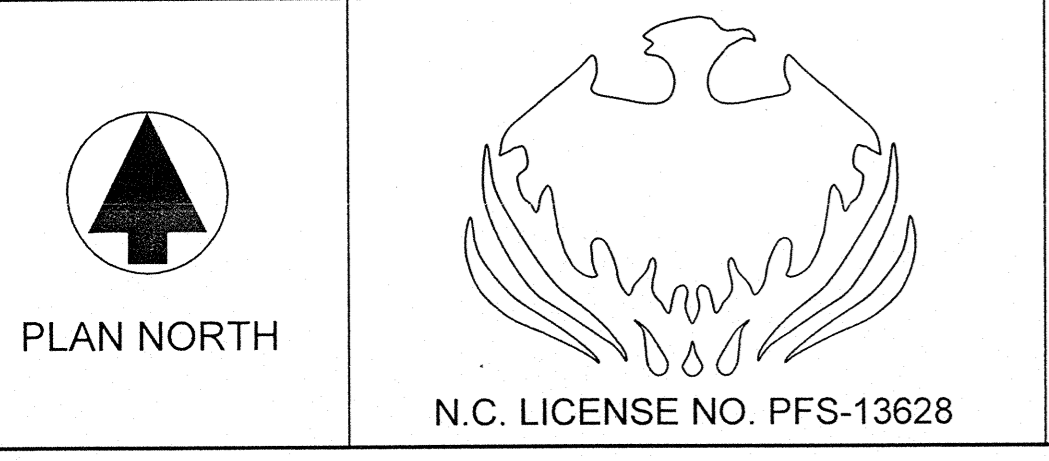
DATE: 2-18-14
SHEET NO. FP-13
OF 22



THEATER 400 WING FIRE PROTECTION HEAD LAYOUT PLAN
SCALE: 1/8" = 1'-0"



AS BUILT DRAWINGS
2-10-2014



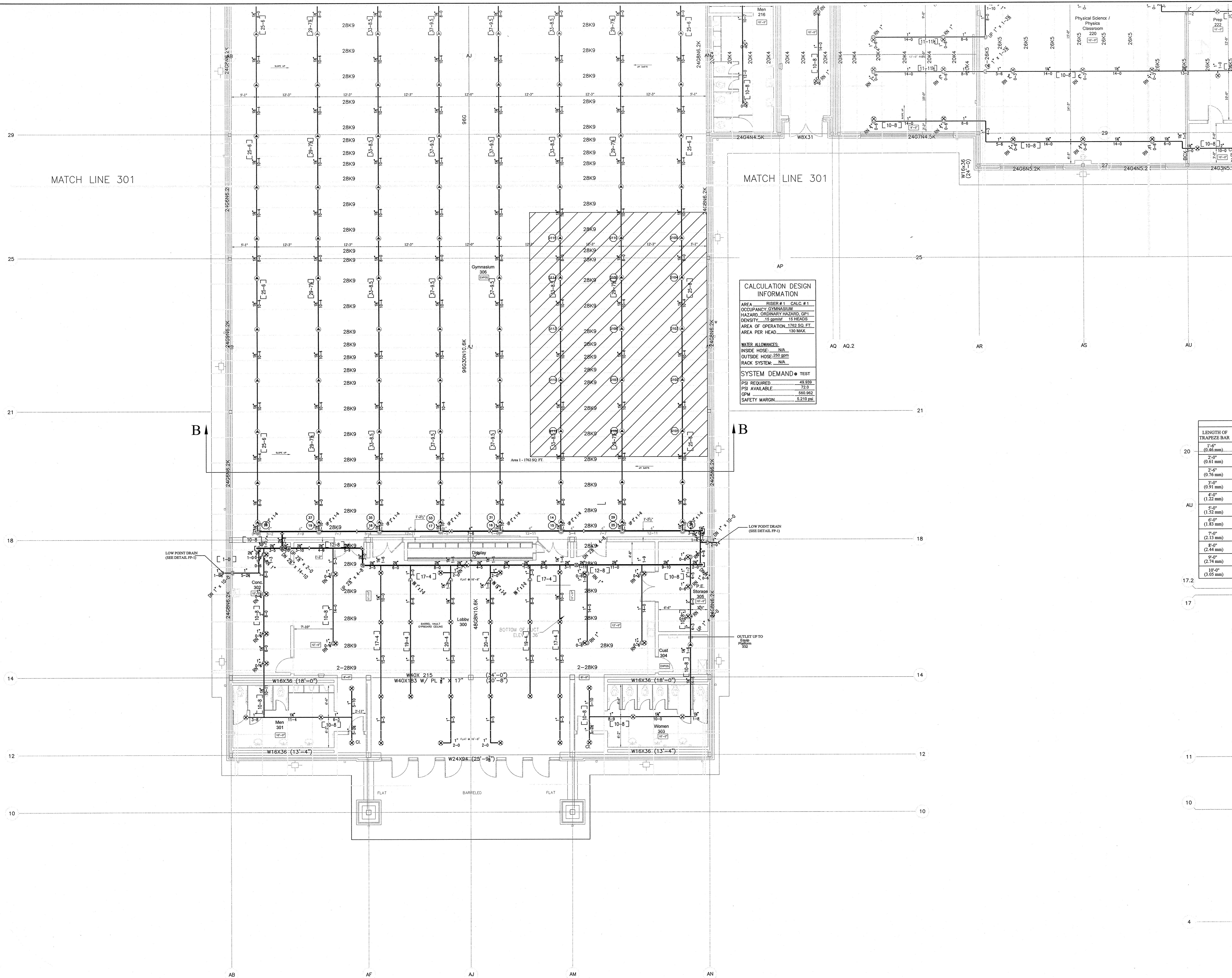
APPROVING AGENCIES
 APPROVING AUTHORITY: BERTIE COUNTY FIRE MARSHALL
 UNDERWRITER: N.C. DEPT. OF INSURANCE
 GENERAL CONTRACTOR: WIMCO CONSTRUCTION
 ADDRESS: 2533 W. 5th. STREET
 CITY & STATE: WASHINGTON, NC 27889-9078
 PHONE NO.: 252-946-5175
 FAX NO.: 252-946-4943

This fire sprinkler planning and design drawing has been prepared by Phoenix Fire Protection, Inc. as a licensed fire sprinkler contractor under Article 2 of Chapter 87 of the General Statutes for Phoenix Fire Protection, Inc.'s exclusive use pursuant to G.S. §89C-25(8), and Phoenix Fire Protection s must perform any and all installation work and other work performed in reliance on this drawing pursuant to G.S. §55B-15(a)(2). Installation work or any other work performed by any other person or entity in reliance on this drawing or any copy thereof is strictly prohibited. © 2010 Phoenix Fire Protection, Inc.

#	DATE	DESCRIPTION	SHG
1	2/20/2013	ISSUE FOR SUBMITTAL	SHG
2	4/15/2013	PROVIDE COVERAGE UNDER CATWALK PER DCI COMMENTS	SHG

SYM	TYPE	FINISH	TEMP	GRP.	°C	NPT	MANUF.	SNM	ESCU/TECHN	QTY.
OR	OR CONCEALED	BRASS	170°	1/2"	5.8	1/2"	GLOBE	GL5658	155° WHITE COVERPLATE	1034
OR	OR UPRIGHT	BRASS	170°	1/2"	5.8	1/2"	GLOBE	GL5615	N/A	118
OR	OR UPRIGHT	WHITE	170°	1/2"	5.8	1/2"	GLOBE	GL5651	N/A	97
OR	OR DRY CONCEALED	BRASS	170°	1/2"	5.8	1/2"	GLOBE	GL5615	N/A	32
OR	OR DRY CONCEALED	BRASS	170°	1/2"	5.8	1"	GLOBE	GL5637	155° WHITE COVERPLATE	4
OR	OR DRY SIDEWALL	WHITE	170°	1/2"	5.8	1"	GLOBE	GL5641	155° WHITE RECESSED	1
OR	OR UPRIGHT WITH HEAD GUARD	BRASS	170°	1/2"	5.8	1/2"	GLOBE	GL5615	N/A	7
OR	OR HOR. SIDEWALL	WHITE	170°	1/2"	5.8	1/2"	GLOBE	GL5626	WHITE RECESSED	1
TOTAL SPRINKLERS THIS PROJECT										1484
TOTAL SPRINKLERS THIS DRAWING										1484

JOB #: C20-12
 DATE: 2-20-2013
 SCALE: AS NOTED
 DRAWN BY: SHG
 CHECKED BY: MRS. MELVIN RANDALL STROTHER
 DATE: 2-18-14
 PHOENIX FIRE PROTECTION, INC.
 P.O. BOX 2881
 2863 LEE AVENUE
 SANFORD, N.C. 27332
 PHONE: (819) 774-3062 FAX: (819) 774-1492
FIRE PROTECTION
NEW BERTIE HIGH SCHOOL
 716 US 13 NORTH
 WINDSOR, NORTH CAROLINA
 SHEET NO. 12 OF 22



Calculation Design Information

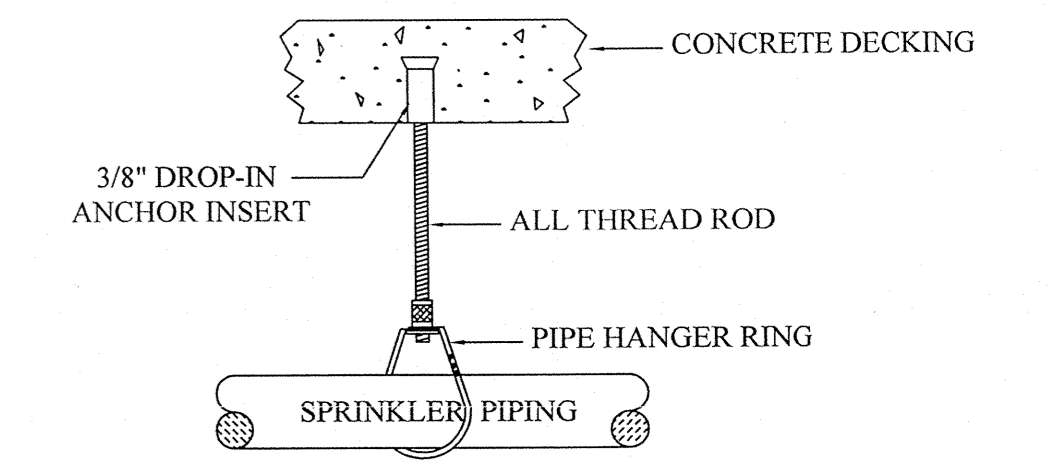
AREA	RISER #1 CALC #1
OCCUPANCY	GYMNASIUM
HAZARD	STANDARD HAZARD - GPT
DENSITY	15 gpm/ft ²
AREA OF OPERATION	1762 SQ. FT.
AREA PER HEAD	150 MAX.

WATER ALLOWANCES:

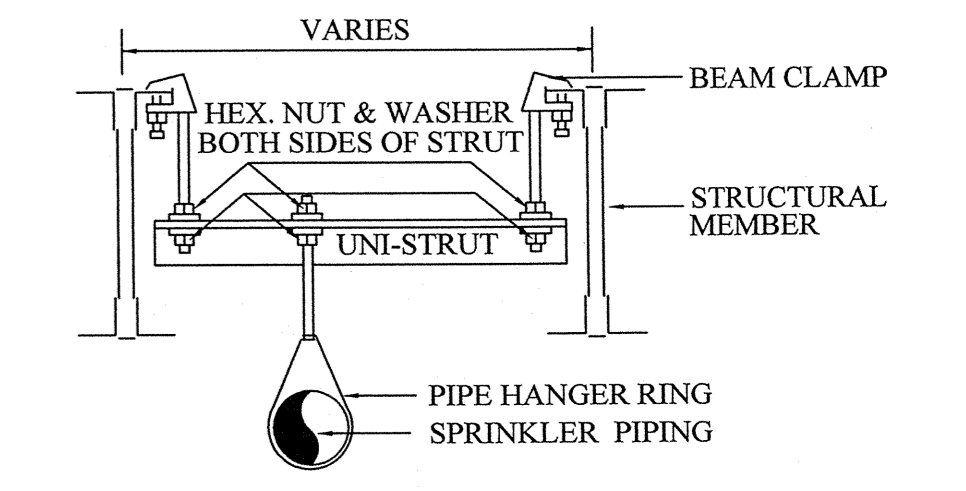
INSIDE HOSE	N/A
OUTSIDE HOSE	250 gpm
RACK SYSTEM	N/A

SYSTEM DEMAND: TEST

PS REQUIRED	43.93
PS AVAILABLE	72.0
QPM	560.812
SAFETY MARGIN	5.210 psi



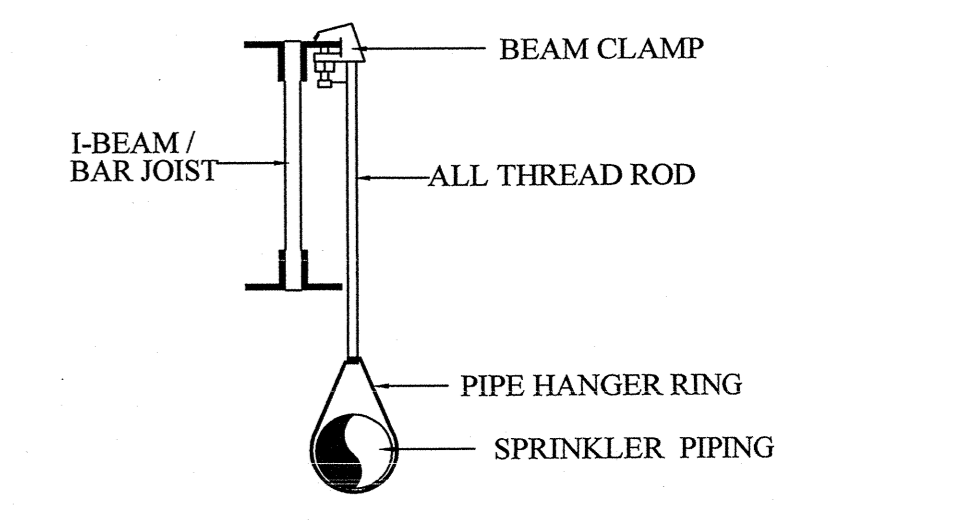
CONCRETE HANGER DETAIL
N.T.S.



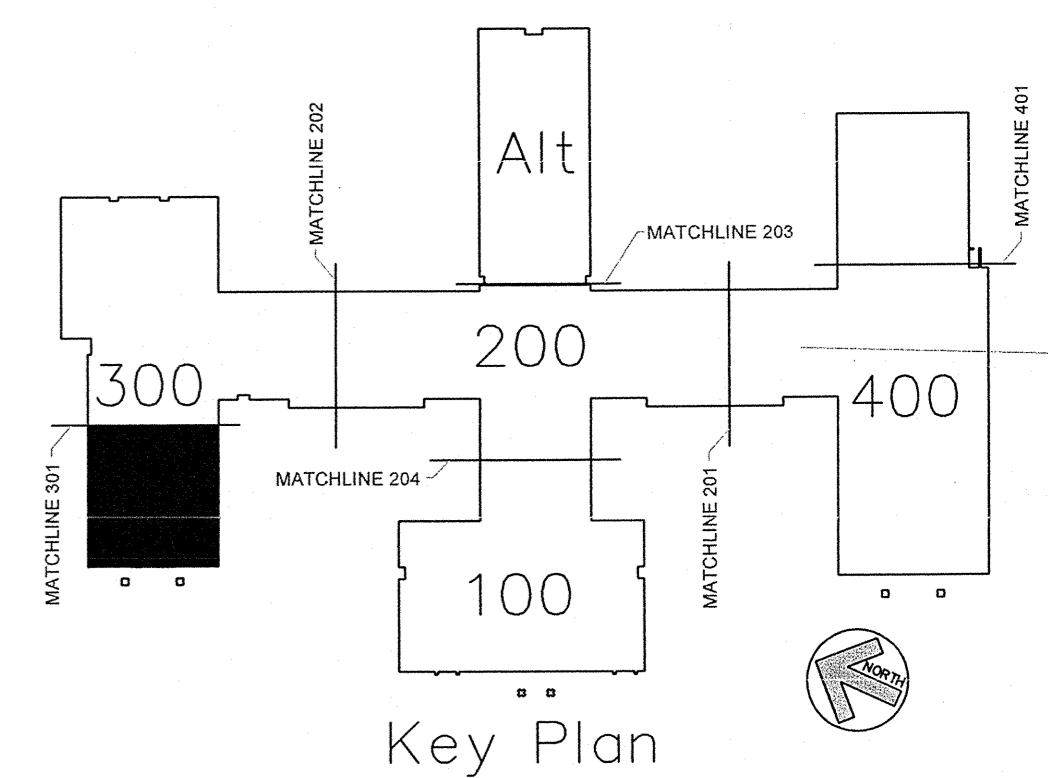
TRAPEZE HANGER DETAIL
N.T.S.

TRAPEZE HANGERS USING STRUT OR ANGLE IRON

LENGTH OF TRAPEZE BAR (OR LESS)	NOMINAL PIPE SIZES							
	2 1/2\"/>							
1'-0\"/>	1 1/2\"/>	1 1/2\"/>	1 1/2\"/>	1 1/2\"/>	2\"/>	2 1/2\"/>	3\"/>	3\"/>
2'-0\"/>	1 1/2\"/>	1 1/2\"/>	1 1/2\"/>	2\"/>	2 1/2\"/>	2 1/2\"/>	3\"/>	3\"/>
3'-0\"/>	1 1/2\"/>	1 1/2\"/>	2 1/2\"/>	2 1/2\"/>	3\"/>	3\"/>	3 1/2\"/>	3 1/2\"/>
4'-0\"/>	1 1/2\"/>	2 1/2\"/>	2 1/2\"/>	3\"/>	3\"/>	3 1/2\"/>	4\"/>	4\"/>
5'-0\"/>	2 1/2\"/>	2 1/2\"/>	3\"/>	3\"/>	3 1/2\"/>	4\"/>	4\"/>	4\"/>
6'-0\"/>	2 1/2\"/>	3\"/>	3\"/>	3 1/2\"/>	4\"/>	4\"/>	4 1/2\"/>	4 1/2\"/>
7'-0\"/>	3\"/>	3\"/>	3 1/2\"/>	3 1/2\"/>	4 1/2\"/>	4 1/2\"/>	5\"/>	5\"/>
8'-0\"/>	3\"/>	3 1/2\"/>	3 1/2\"/>	4 1/2\"/>	4 1/2\"/>	5\"/>	5\"/>	5\"/>
9'-0\"/>	3 1/2\"/>	3 1/2\"/>	4 1/2\"/>	4 1/2\"/>	5\"/>	5 1/2\"/>	5 1/2\"/>	5 1/2\"/>
10'-0\"/>	3 1/2\"/>	4 1/2\"/>	4 1/2\"/>	5\"/>	5 1/2\"/>	5 1/2\"/>	6\"/>	6\"/>



STRUCTURAL HANGER DETAIL
N.T.S.



GYM WING FIRE PROTECTION PIPING LAYOUT PLAN
SCALE: 1/8" = 1'-0"

AS BUILT DRAWINGS
2-10-2014

PLAN NORTH

N.C. LICENSE NO. PFS-13628

APPROVING AGENCIES

APPROVING AUTHORITY: BERTIE COUNTY FIRE MARSHAL

UNDERWRITER: N.C. DEPT. OF INSURANCE

GENERAL CONTRACTOR: WIMCO CONSTRUCTION

ADDRESS: 2533 W. 5th STREET WASHINGTON, NC 27889-9078

PHONE NO: 252-946-5175

FAX NO: 252-946-4943

This fire sprinkler planning and design drawing has been prepared by Phoenix Fire Protection, Inc. as a licensed fire sprinkler contractor under Article 2 of Chapter 87 of the General Statutes for Phoenix Fire Protection, Inc.'s exclusive use pursuant to G.S. §89C-25(8), and Phoenix Fire Protection's must perform any and all installation work and other work performed in reliance on this drawing pursuant to G.S. §55B-15(a)(2). Installation work or any other work performed by any other person or entity in reliance on this drawing or any copy thereof is strictly prohibited. © 2010 Phoenix Fire Protection, Inc.

REVISIONS

#	DATE	DESCRIPTION	BY
1	2/20/2013	ISSUE FOR SUBMITTAL	SHG
2	4/11/2013	PROVIDE COVERAGE UNDER CATWALK PER DOJ COMMENTS	SHG

SPRINKLER SUMMARY

SYM	TYPE	FINISH	TEMP	ORF	"K"	NPT	MANUF.	SNW	ESCU	QTY.
OR CONCEALED	BRASS	175°	12"	5.8	102"	GLOBE	GL5928	155° WHITE COVERPLATE	104	
OR UPRIGHT	BRASS	175°	12"	5.8	102"	GLOBE	GL5928	N/A	318	
OR UPRIGHT WITH HEAD GUARD	WHITE	175°	12"	5.8	102"	GLOBE	GL5921	N/A	97	
OR DRY CONCEALED	BRASS	175°	12"	5.8	102"	GLOBE	GL5919	155° WHITE COVERPLATE	4	
OR DRY SIDEWALL	WHITE	175°	12"	5.8	102"	GLOBE	GL5941	WHITE RECESSED	1	
OR UPRIGHT WITH HEAD GUARD	BRASS	175°	12"	5.8	102"	GLOBE	GL5915	N/A	7	
OR HOR. SIDEWALL	WHITE	175°	12"	5.8	102"	GLOBE	GL5929	WHITE RECESSED	1	

TOTAL SPRINKLERS THIS PROJECT: 1484

TOTAL SPRINKLERS THIS DRAWING: 1484

JOB # C20-12

DATE: 2-20-2013

SCALE: AS NOTED

DRAWN BY: SHG

CHK. BY: MRS. MELVIN RANDALL STROTHER

PHOENIX FIRE PROTECTION, INC.
P.O. BOX 2881
2863 LEE AVENUE
SANFORD, N.C. 27332
PHONE: (919) 774-3042 FAX: (919) 774-1492

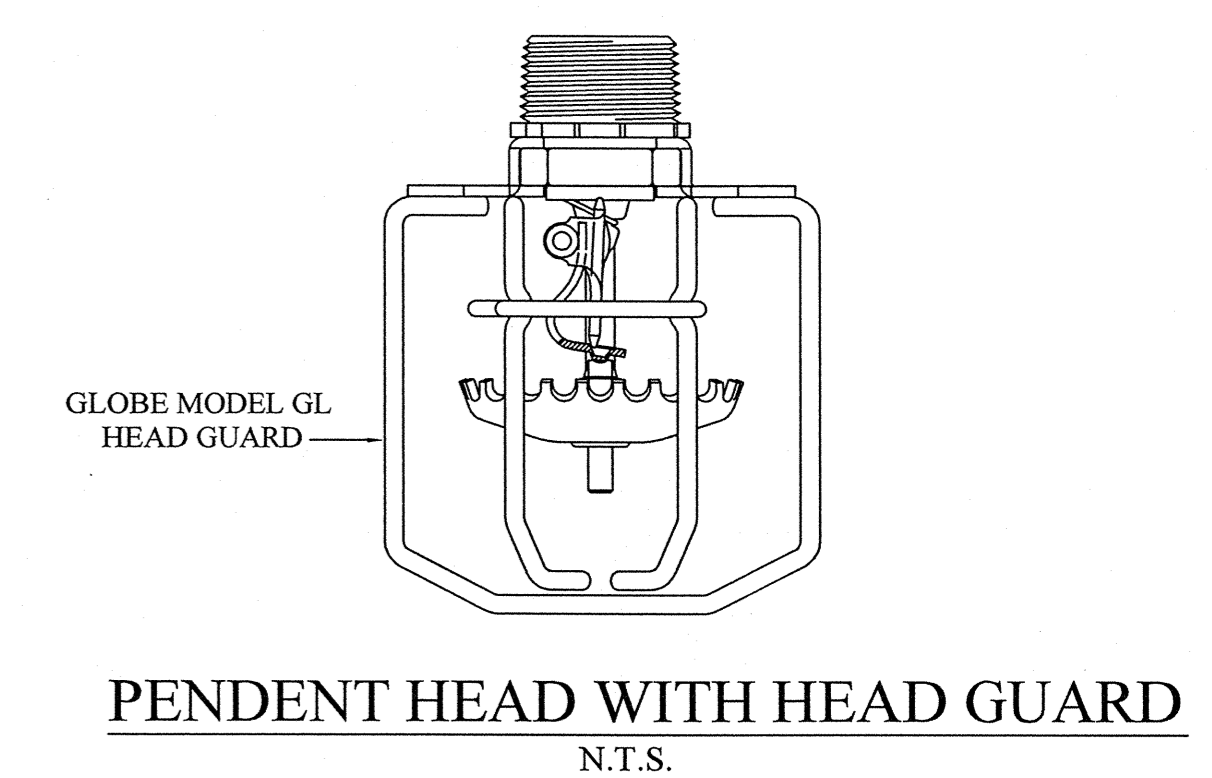
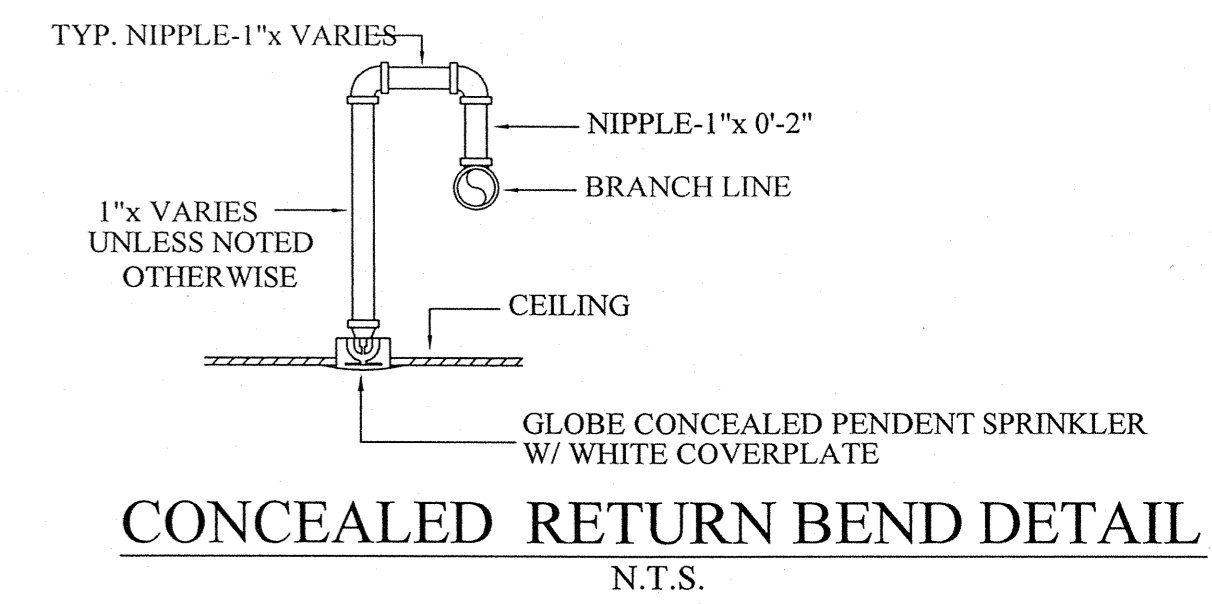
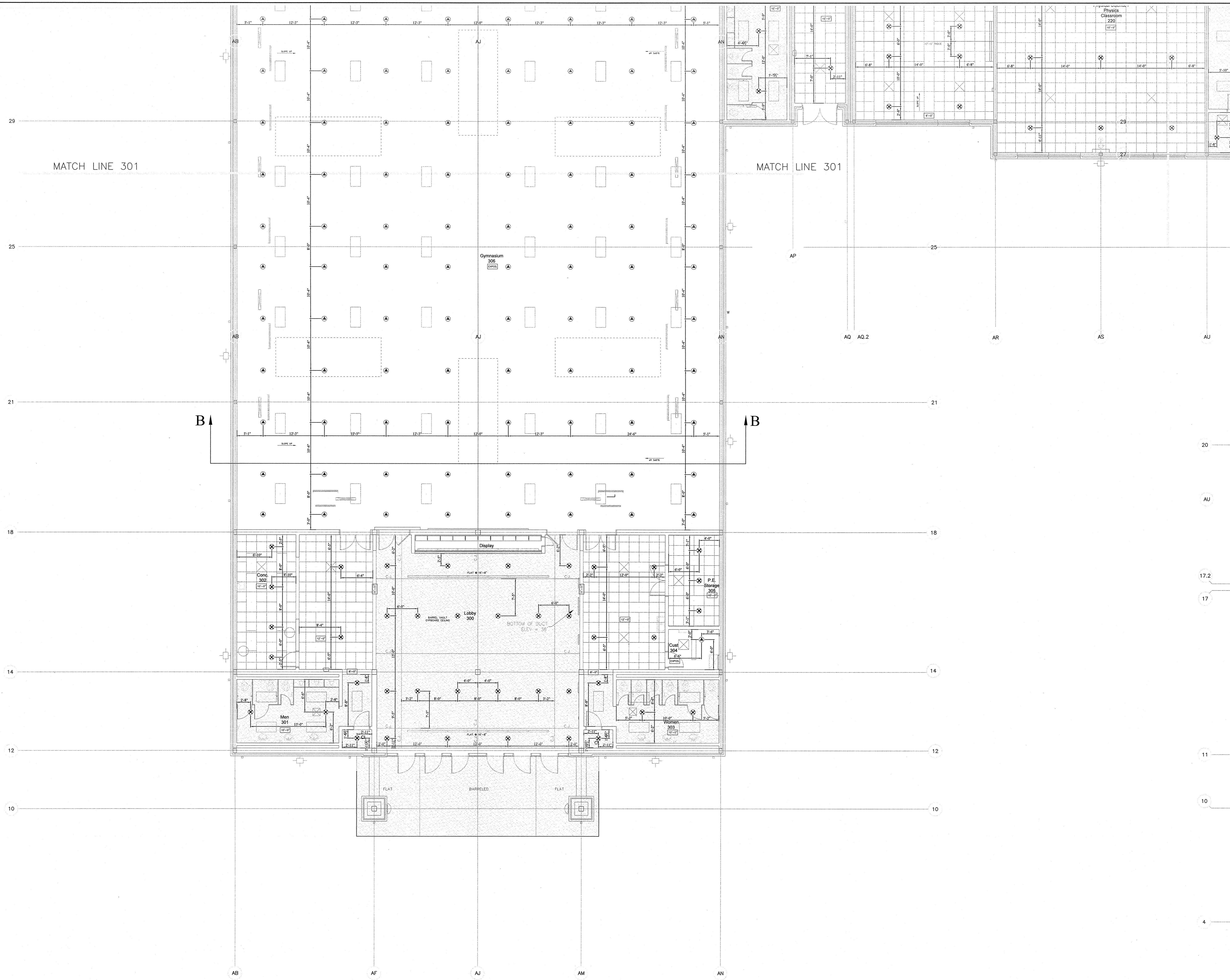
FIRE PROTECTION

NEW BERTIE HIGH SCHOOL
716 US 13 NORTH
WINDSOR, NORTH CAROLINA

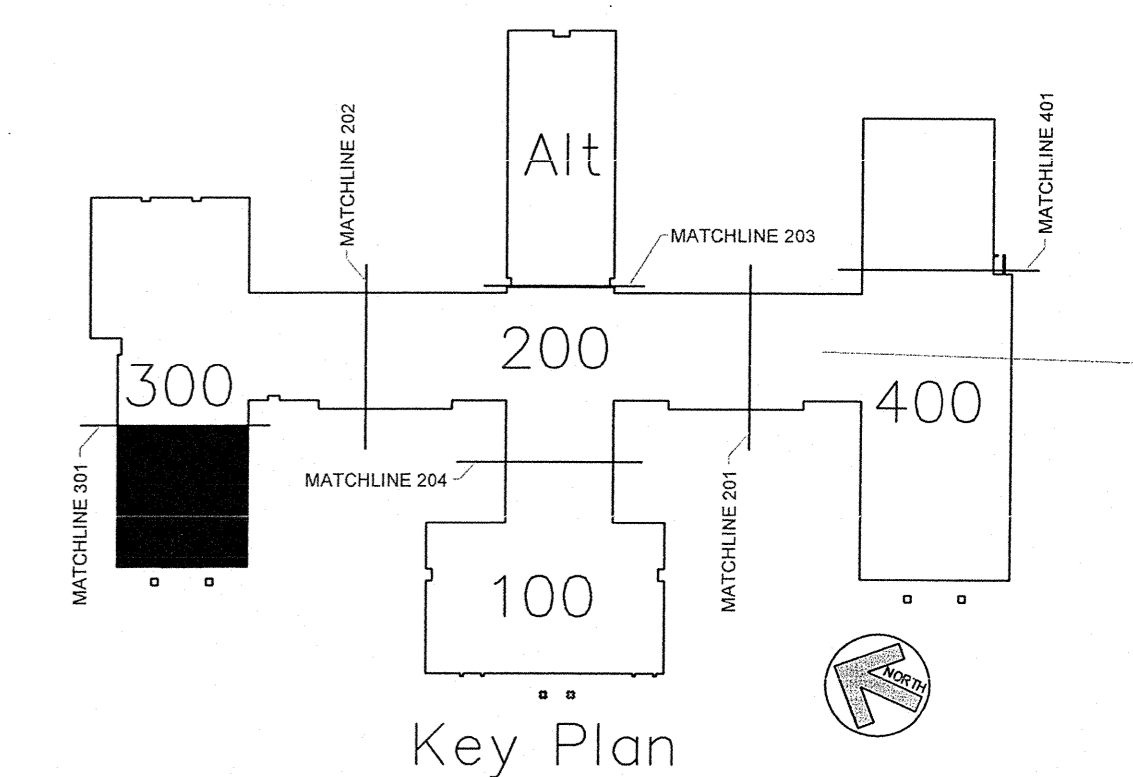
DATE: 2-18-14

SHEET NO. FP-11 OF 22

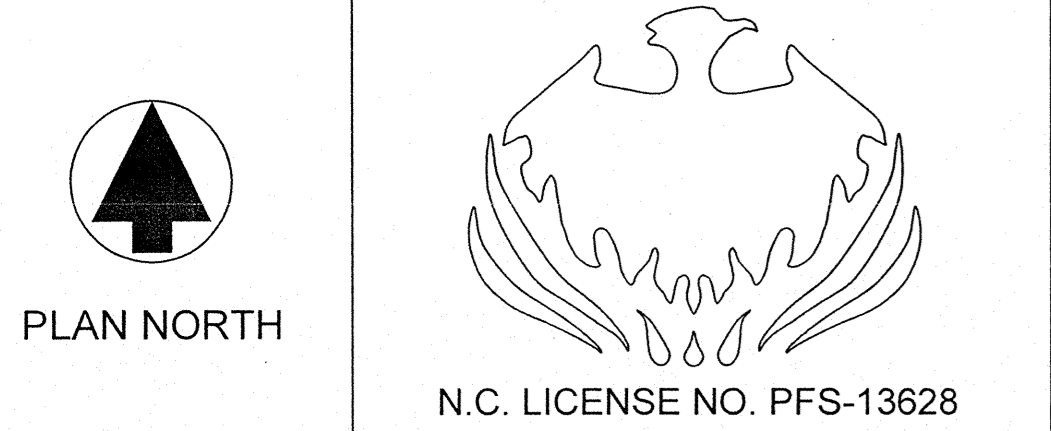
Chris [Signature]



GYM WING FIRE PROTECTION HEAD LAYOUT PLAN
SCALE: 1/8" = 1'-0"



AS BUILT DRAWINGS
2-10-2014



APPROVING AGENCIES
APPROVING AUTHORITY: BERTIE COUNTY FIRE MARSHALL
UNDERWRITER: N.C. DEPT. OF INSURANCE
GENERAL CONTRACTOR: WIMCO CONSTRUCTION
ADDRESS: 2533 W. 5TH STREET
CITY & STATE: WASHINGTON, NC 27889-9078
PHONE NO.: 252-946-5175
FAX NO.: 252-946-4943

This fire sprinkler planning and design drawing has been prepared by Phoenix Fire Protection, Inc. as a licensed fire sprinkler contractor under Article 2 of Chapter 87 of the General Statutes for Phoenix Fire Protection, Inc.'s exclusive use pursuant to G.S. §89C-25(8), and Phoenix Fire Protection's must perform any and all installation work and other work performed in reliance on this drawing pursuant to G.S. §55B-15(a)(2). Installation work or any other work performed by any other person or entity in reliance on this drawing or any copy thereof is strictly prohibited. © 2010 Phoenix Fire Protection, Inc.

REVISIONS		SPRINKLER SUMMARY	
#	DATE	DESCRIPTION	
1	2/20/2013	ISSUE FOR SUBMITTAL	SHG
2	4/11/2013	PROVIDE COVERAGE UNDER CATWALK	SHG
PER DOI COMMENTS			

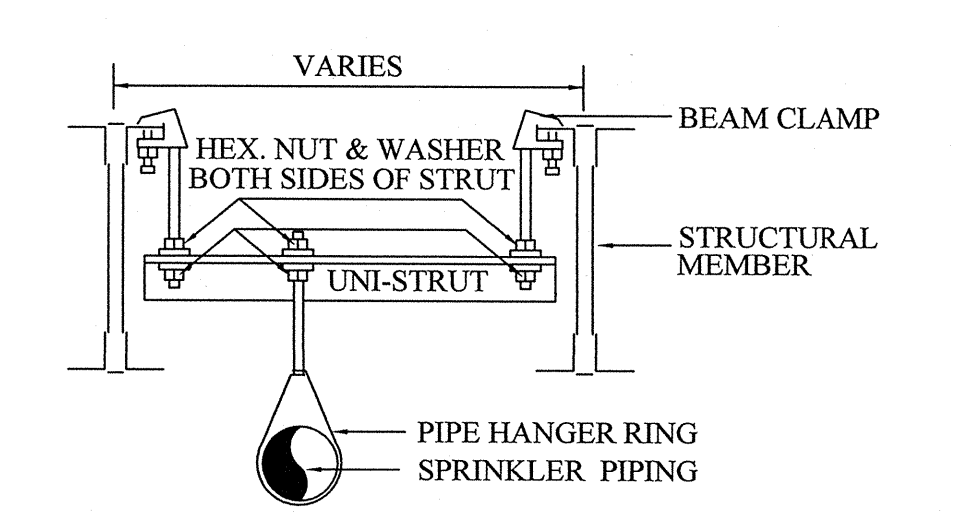
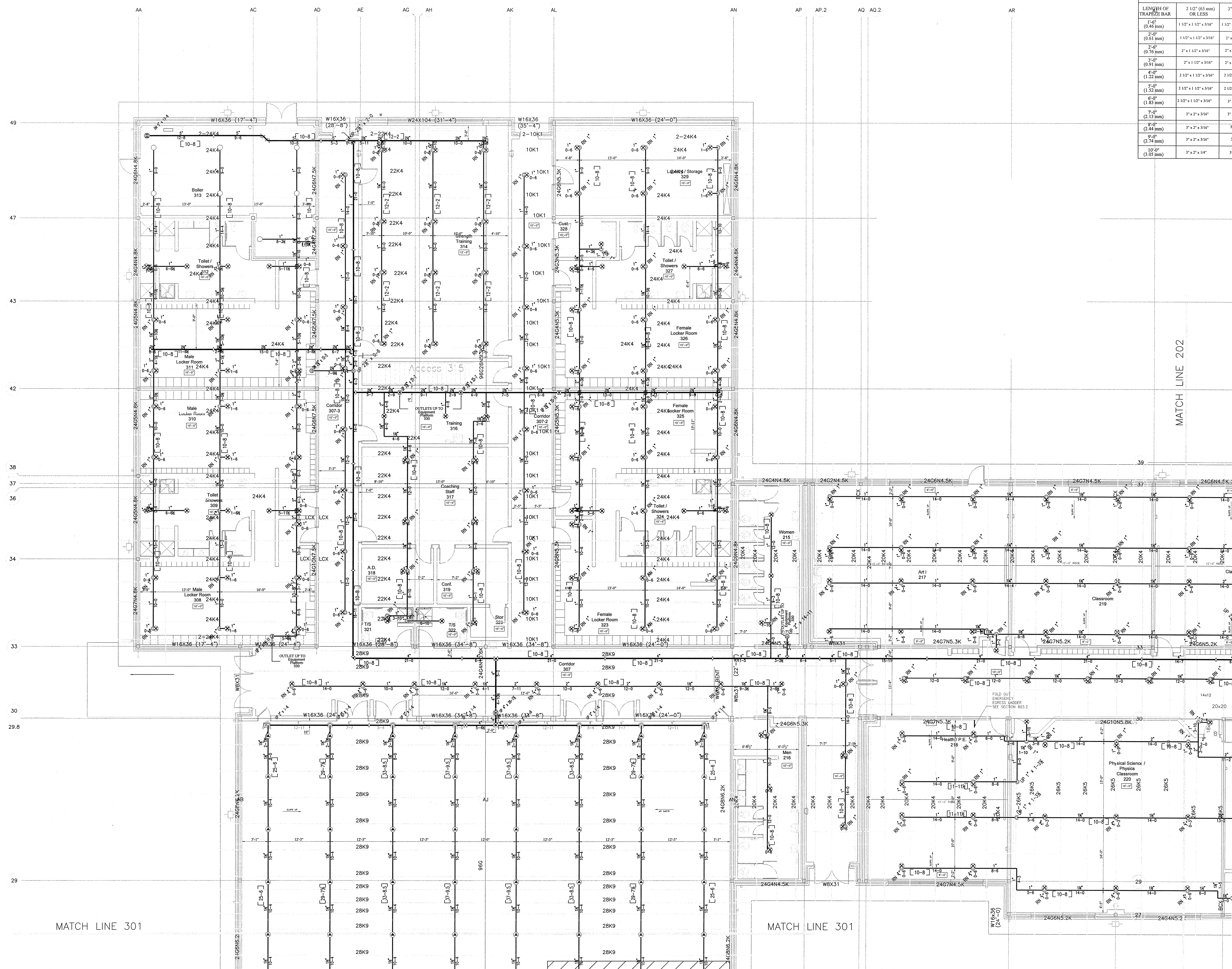
SYM	TYPE	FINISH	TEMP	DRIP	"C"	NPT	MANUF.	SINF	ESCUATCHED	QTY
⊗	OR CONCEALED	BRASS	175°	1/2"	5.8	1/2"	GLOBE	GL5609	155° WHITE COVERPLATE	1028
⊗	OR UPRIGHT	BRASS	175°	1/2"	5.8	1/2"	GLOBE	GL5615	N/A	318
⊗	OR UPRIGHT	WHITE	175°	1/2"	5.8	1/2"	GLOBE	GL5607	N/A	97
⊗	OR UPRIGHT	BRASS	175°	1/2"	5.8	1/2"	GLOBE	GL5615	N/A	32
⊗	OR DRY CONCEALED	BRASS	175°	1/2"	5.8	1"	GLOBE	GL5637	155° WHITE COVERPLATE	4
⊗	OR DRY SIDEWALL	WHITE	175°	1/2"	5.8	1"	GLOBE	GL5641	WHITE RECESSED	1
⊗	OR UPRIGHT	BRASS	175°	1/2"	5.8	1/2"	GLOBE	GL5615	N/A	7
⊗	OR UPRIGHT	WHITE	175°	1/2"	5.8	1/2"	GLOBE	GL5615	WHITE RECESSED	1
⊗	OR HOR. SIDEWALL	WHITE	175°	1/2"	5.8	1/2"	GLOBE	GL5628	WHITE RECESSED	1
TOTAL SPRINKLERS THIS PROJECT 1484										
TOTAL SPRINKLERS THIS DRAWING 1484										

JOB #		DATE		SCALE		DRAWN BY		SHG	
C20-12		2-20-2013		AS NOTED		MRS			

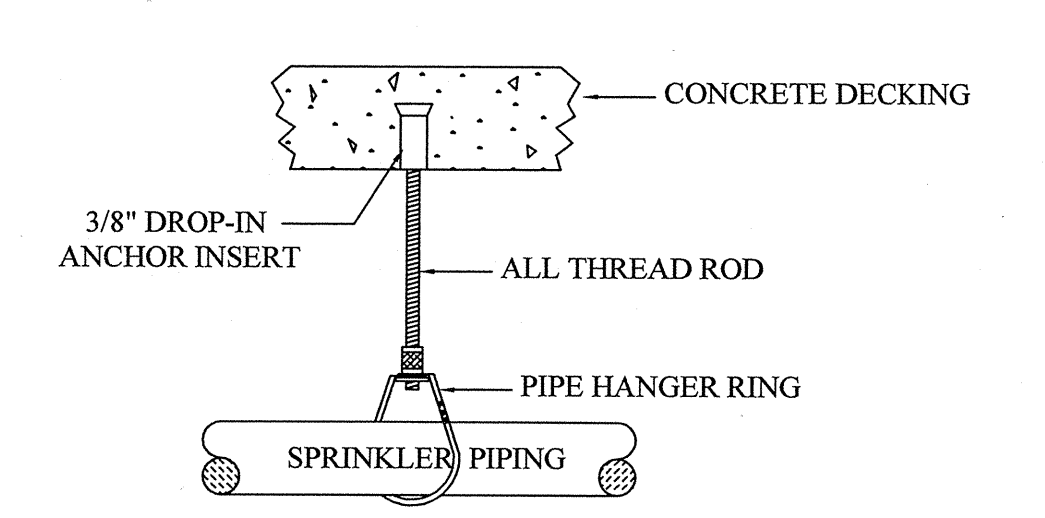
PHOENIX FIRE PROTECTION, INC.
P.O. BOX 2861
2863 LEE AVENUE
SANFORD, N.C. 27332
PHONE: (919) 774-3042 FAX: (919) 774-1492
FIRE PROTECTION
NEW BERTIE HIGH SCHOOL
716 US 13 NORTH
WINDSOR, NORTH CAROLINA
MELVIN RANDALL STROTHER
NICET LEVEL III, CERT. NO. 116485
DATE: 2-18-14
SHEET NO. FP-10
OF 22

Chris P. [Signature]

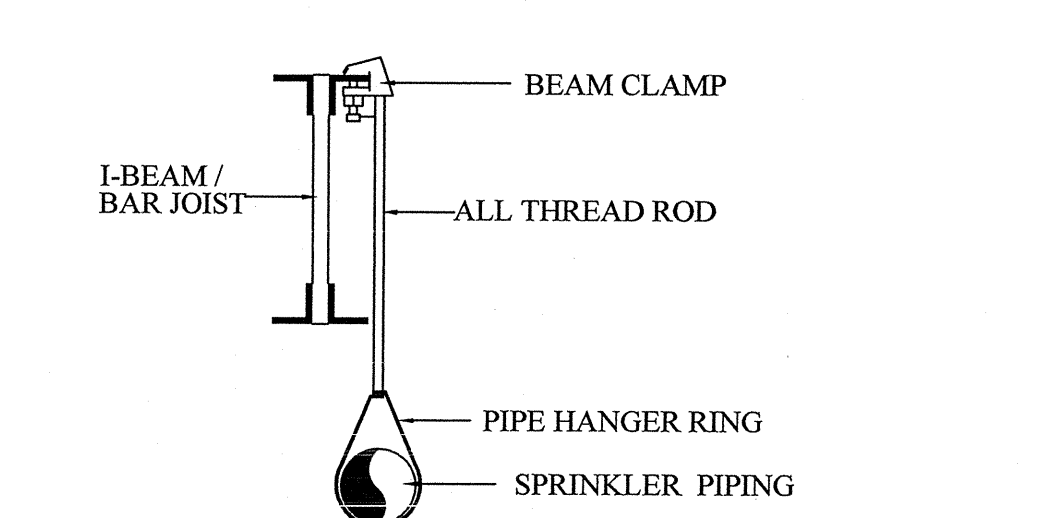
LENGTH OF TRAPEZOIDAL BAR OR LESS	NOMINAL PIPE SIZES							
	2 1/2" (63 mm)	3" (76 mm)	3 1/2" (90 mm)	4" (102 mm)	5" (125 mm)	6" (150 mm)	8" (200 mm)	10" (250 mm)
1/8" (3.18 mm)	1 1/2" x 1 1/2" x 3/16"	1 1/2" x 1 1/2" x 3/16"	1 1/2" x 1 1/2" x 3/16"	2" x 1 1/2" x 3/16"	2" x 1 1/2" x 3/16"	2 1/2" x 1 1/2" x 3/16"	3" x 2" x 3/16"	3" x 2" x 1/4"
3/16" (4.76 mm)	1 1/2" x 1 1/2" x 3/16"	1 1/2" x 1 1/2" x 3/16"	1 1/2" x 1 1/2" x 3/16"	2" x 1 1/2" x 3/16"	2 1/2" x 1 1/2" x 3/16"	2 1/2" x 1 1/2" x 3/16"	3" x 2" x 3/16"	3" x 2" x 1/4"
1/4" (6.35 mm)	1 1/2" x 1 1/2" x 3/16"	1 1/2" x 1 1/2" x 3/16"	1 1/2" x 1 1/2" x 3/16"	2" x 1 1/2" x 3/16"	2 1/2" x 1 1/2" x 3/16"	2 1/2" x 1 1/2" x 3/16"	3" x 2" x 3/16"	3" x 2" x 1/4"
5/16" (7.94 mm)	1 1/2" x 1 1/2" x 3/16"	1 1/2" x 1 1/2" x 3/16"	1 1/2" x 1 1/2" x 3/16"	2" x 1 1/2" x 3/16"	2 1/2" x 1 1/2" x 3/16"	2 1/2" x 1 1/2" x 3/16"	3" x 2" x 3/16"	3" x 2" x 1/4"
3/8" (9.53 mm)	1 1/2" x 1 1/2" x 3/16"	1 1/2" x 1 1/2" x 3/16"	1 1/2" x 1 1/2" x 3/16"	2" x 1 1/2" x 3/16"	2 1/2" x 1 1/2" x 3/16"	2 1/2" x 1 1/2" x 3/16"	3" x 2" x 3/16"	3" x 2" x 1/4"
1/2" (12.7 mm)	1 1/2" x 1 1/2" x 3/16"	1 1/2" x 1 1/2" x 3/16"	1 1/2" x 1 1/2" x 3/16"	2" x 1 1/2" x 3/16"	2 1/2" x 1 1/2" x 3/16"	2 1/2" x 1 1/2" x 3/16"	3" x 2" x 3/16"	3" x 2" x 1/4"
5/8" (15.88 mm)	1 1/2" x 1 1/2" x 3/16"	1 1/2" x 1 1/2" x 3/16"	1 1/2" x 1 1/2" x 3/16"	2" x 1 1/2" x 3/16"	2 1/2" x 1 1/2" x 3/16"	2 1/2" x 1 1/2" x 3/16"	3" x 2" x 3/16"	3" x 2" x 1/4"
3/4" (19.05 mm)	1 1/2" x 1 1/2" x 3/16"	1 1/2" x 1 1/2" x 3/16"	1 1/2" x 1 1/2" x 3/16"	2" x 1 1/2" x 3/16"	2 1/2" x 1 1/2" x 3/16"	2 1/2" x 1 1/2" x 3/16"	3" x 2" x 3/16"	3" x 2" x 1/4"
7/8" (22.14 mm)	1 1/2" x 1 1/2" x 3/16"	1 1/2" x 1 1/2" x 3/16"	1 1/2" x 1 1/2" x 3/16"	2" x 1 1/2" x 3/16"	2 1/2" x 1 1/2" x 3/16"	2 1/2" x 1 1/2" x 3/16"	3" x 2" x 3/16"	3" x 2" x 1/4"
1" (25.4 mm)	1 1/2" x 1 1/2" x 3/16"	1 1/2" x 1 1/2" x 3/16"	1 1/2" x 1 1/2" x 3/16"	2" x 1 1/2" x 3/16"	2 1/2" x 1 1/2" x 3/16"	2 1/2" x 1 1/2" x 3/16"	3" x 2" x 3/16"	3" x 2" x 1/4"
1 1/8" (30.16 mm)	1 1/2" x 1 1/2" x 3/16"	1 1/2" x 1 1/2" x 3/16"	1 1/2" x 1 1/2" x 3/16"	2" x 1 1/2" x 3/16"	2 1/2" x 1 1/2" x 3/16"	2 1/2" x 1 1/2" x 3/16"	3" x 2" x 3/16"	3" x 2" x 1/4"
1 1/4" (34.93 mm)	1 1/2" x 1 1/2" x 3/16"	1 1/2" x 1 1/2" x 3/16"	1 1/2" x 1 1/2" x 3/16"	2" x 1 1/2" x 3/16"	2 1/2" x 1 1/2" x 3/16"	2 1/2" x 1 1/2" x 3/16"	3" x 2" x 3/16"	3" x 2" x 1/4"
1 3/8" (39.69 mm)	1 1/2" x 1 1/2" x 3/16"	1 1/2" x 1 1/2" x 3/16"	1 1/2" x 1 1/2" x 3/16"	2" x 1 1/2" x 3/16"	2 1/2" x 1 1/2" x 3/16"	2 1/2" x 1 1/2" x 3/16"	3" x 2" x 3/16"	3" x 2" x 1/4"
1 1/2" (44.45 mm)	1 1/2" x 1 1/2" x 3/16"	1 1/2" x 1 1/2" x 3/16"	1 1/2" x 1 1/2" x 3/16"	2" x 1 1/2" x 3/16"	2 1/2" x 1 1/2" x 3/16"	2 1/2" x 1 1/2" x 3/16"	3" x 2" x 3/16"	3" x 2" x 1/4"
1 5/8" (49.21 mm)	1 1/2" x 1 1/2" x 3/16"	1 1/2" x 1 1/2" x 3/16"	1 1/2" x 1 1/2" x 3/16"	2" x 1 1/2" x 3/16"	2 1/2" x 1 1/2" x 3/16"	2 1/2" x 1 1/2" x 3/16"	3" x 2" x 3/16"	3" x 2" x 1/4"
1 3/4" (53.97 mm)	1 1/2" x 1 1/2" x 3/16"	1 1/2" x 1 1/2" x 3/16"	1 1/2" x 1 1/2" x 3/16"	2" x 1 1/2" x 3/16"	2 1/2" x 1 1/2" x 3/16"	2 1/2" x 1 1/2" x 3/16"	3" x 2" x 3/16"	3" x 2" x 1/4"
1 7/8" (58.73 mm)	1 1/2" x 1 1/2" x 3/16"	1 1/2" x 1 1/2" x 3/16"	1 1/2" x 1 1/2" x 3/16"	2" x 1 1/2" x 3/16"	2 1/2" x 1 1/2" x 3/16"	2 1/2" x 1 1/2" x 3/16"	3" x 2" x 3/16"	3" x 2" x 1/4"
2" (50.8 mm)	1 1/2" x 1 1/2" x 3/16"	1 1/2" x 1 1/2" x 3/16"	1 1/2" x 1 1/2" x 3/16"	2" x 1 1/2" x 3/16"	2 1/2" x 1 1/2" x 3/16"	2 1/2" x 1 1/2" x 3/16"	3" x 2" x 3/16"	3" x 2" x 1/4"



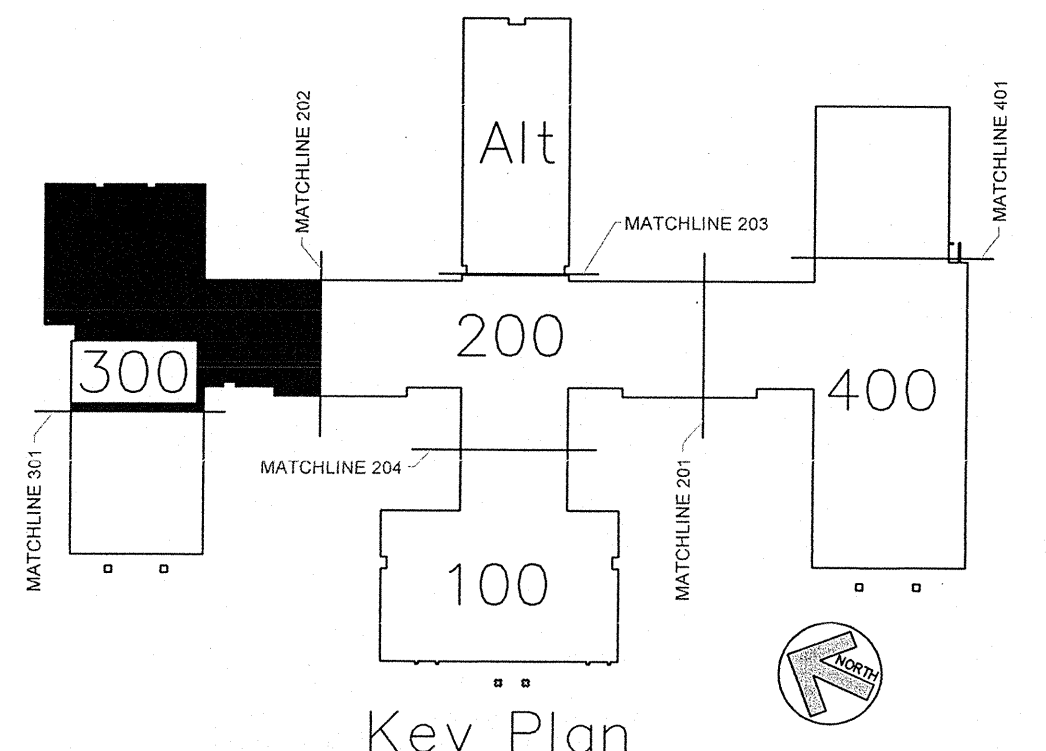
TRAPEZOIDAL HANGER DETAIL
N.T.S.



CONCRETE HANGER DETAIL
N.T.S.



STRUCTURAL HANGER DETAIL
N.T.S.



GYM 300 WING FIRE PROTECTION PIPING LAYOUT PLAN
SCALE: 1/8" = 1'-0"

AS BUILT DRAWINGS
2-10-2014

APPROVING AGENCIES	
APPROVING AUTHORITY:	BERTIE COUNTY FIRE MARSHALL
UNDERWRITER:	N.C. DEPT. OF INSURANCE
GENERAL CONTRACTOR:	WIMCO CONSTRUCTION
ADDRESS:	2533 W. 5th STREET
CITY & STATE:	WASHINGTON, NC 27889-0078
PHONE NO.:	252-946-5175
FAX NO.:	252-946-4943

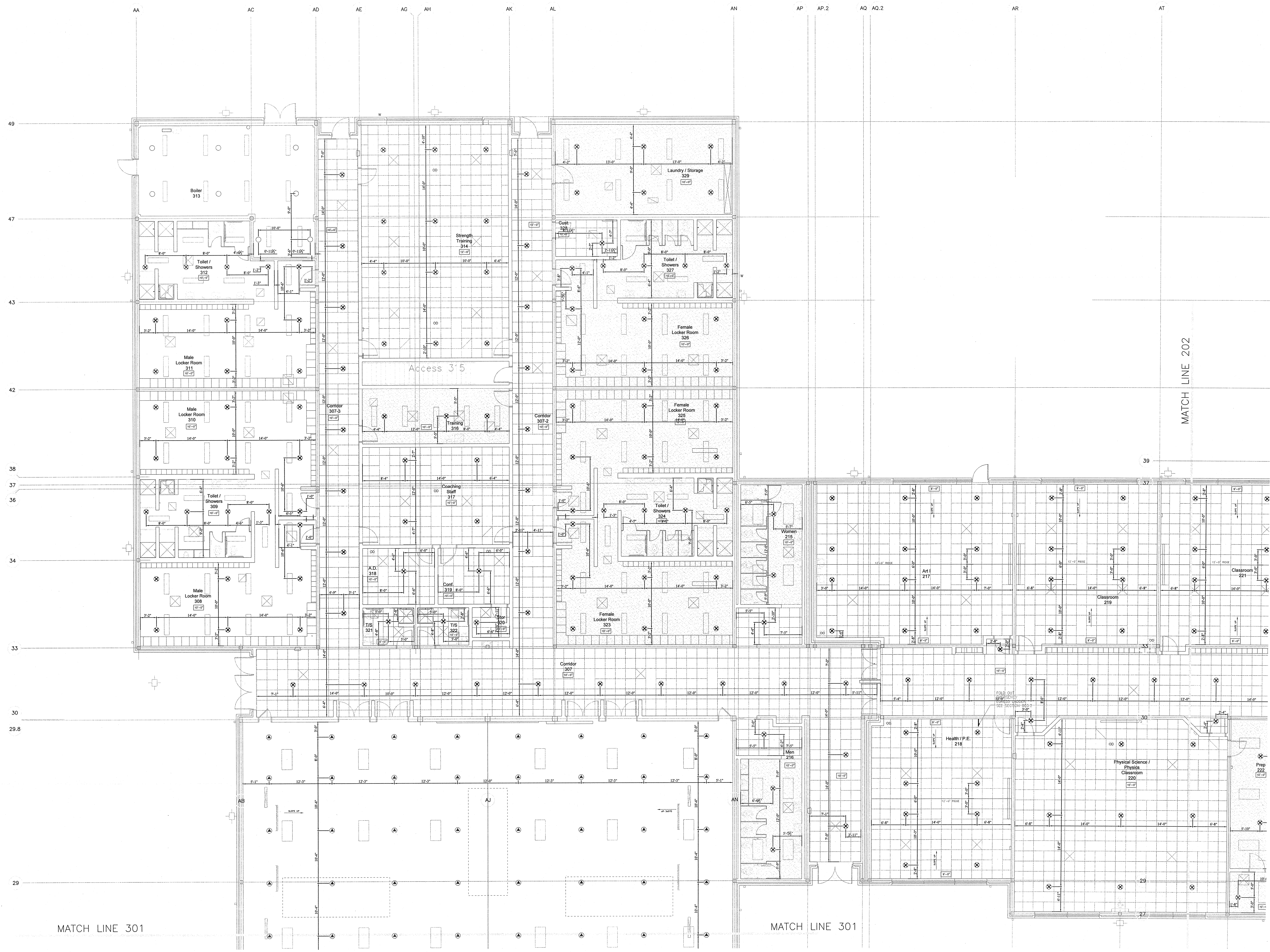
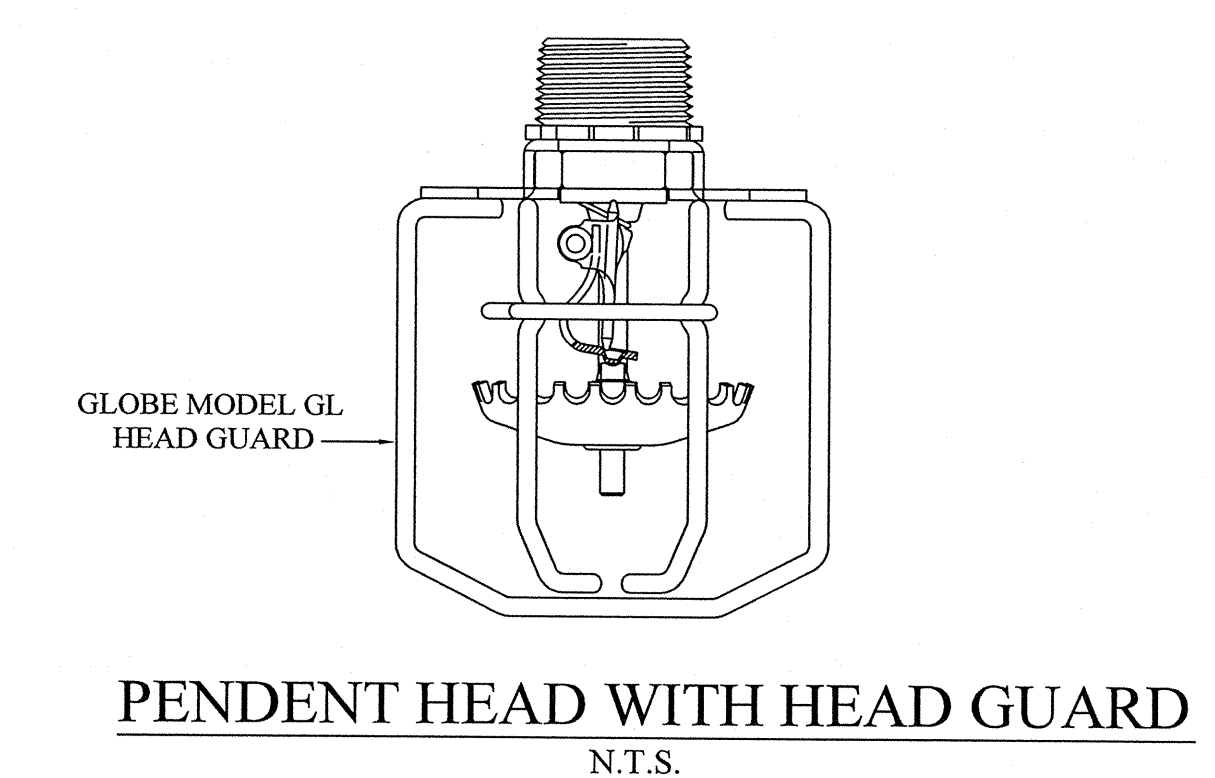
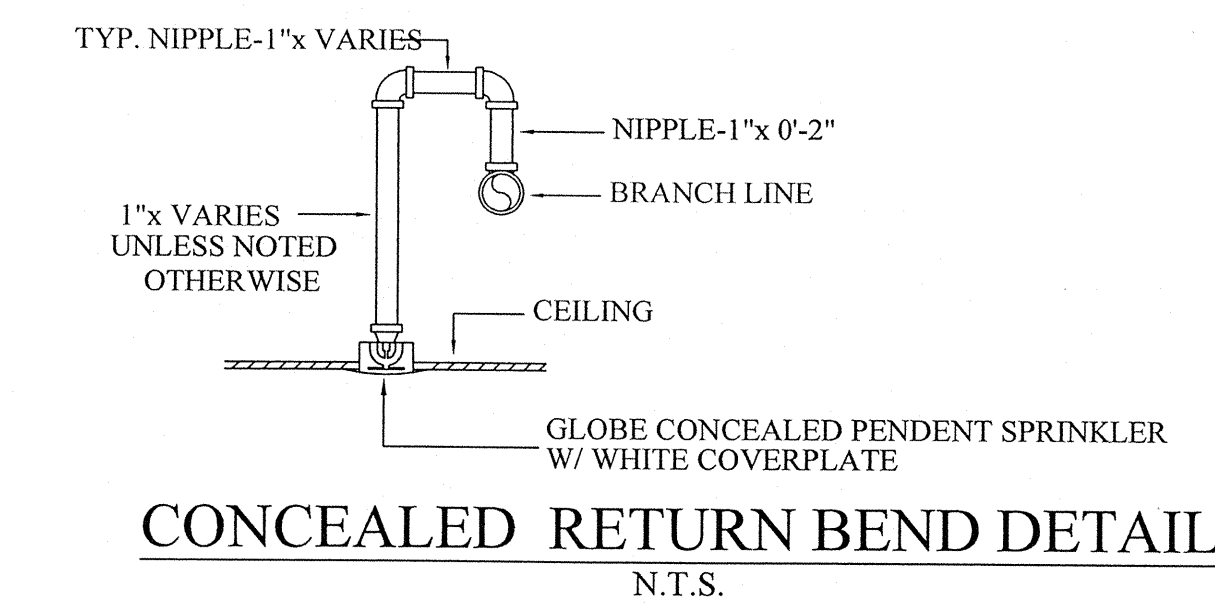
This fire sprinkler planning and design drawing has been prepared by Phoenix Fire Protection, Inc. as a licensed fire sprinkler contractor under Article 2 of Chapter 87 of the General Statutes for Phoenix Fire Protection, Inc.'s exclusive use pursuant to G.S. §89C-25(8), and Phoenix Fire Protection's must perform any and all installation work and other work performed in reliance on this drawing pursuant to G.S. §55B-15(a)(2). Installation work or any other work performed by any other person or entity in reliance on this drawing or any copy thereof is strictly prohibited. © 2010 Phoenix Fire Protection, Inc.

REVISIONS			
#	DATE	DESCRIPTION	BY
2	2/20/2013	ISSUE FOR SUBMITTAL	SHG
1	4/11/2013	PROVIDE COVERAGE UNDER CATWALK PER DOI COMMENTS	SHG

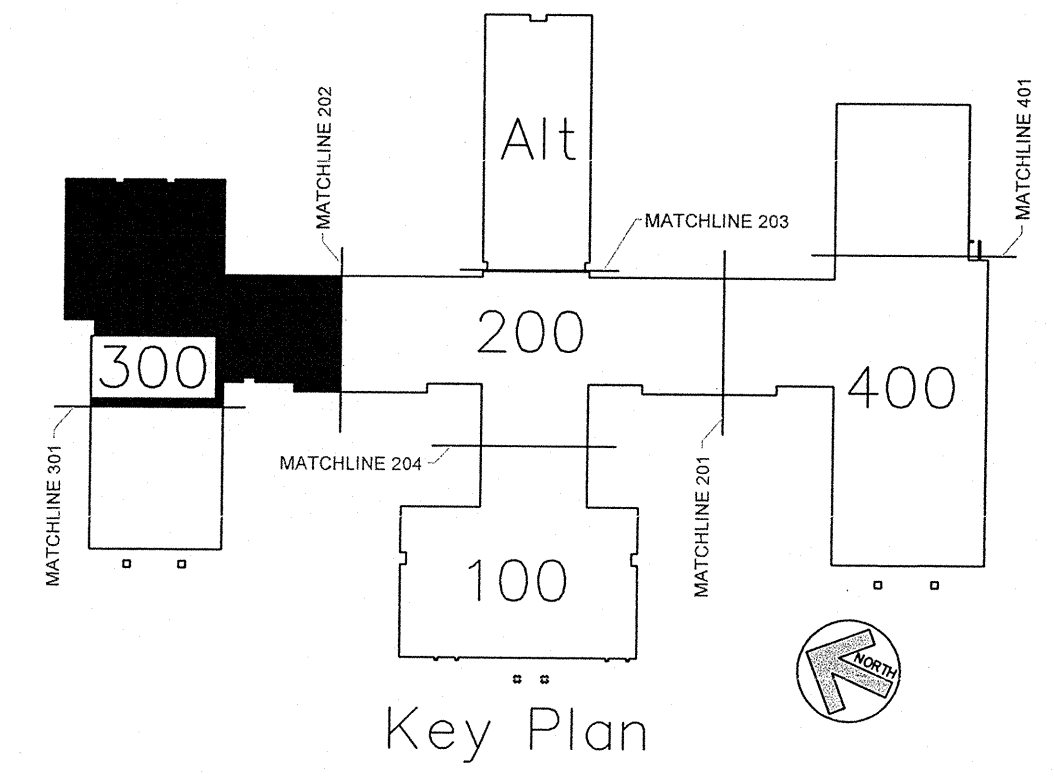
SPRINKLER SUMMARY									
TYPE	FINISH	TEMP	DRIF	TC	NPT	MANUF	SINP	ESCUTCHEON	QTY
OR CONCEALED	BRASS	175°	1/2"	5.8	1/2"	GLOBE	GL5615	150° WHITE COVERPLATE	104
OR UPRIGHT	WHITE	175°	1/2"	5.8	1/2"	GLOBE	GL5615	N/A	318
WITH HEAD GUARD	WHITE	175°	1/2"	5.8	1/2"	GLOBE	GL5601	N/A	97
OR DRY CONCEALED	BRASS	175°	1/2"	5.8	1/2"	GLOBE	GL5615	N/A	32
OR DRY UPRIGHT	WHITE	175°	1/2"	5.8	1/2"	GLOBE	GL5601	150° WHITE COVERPLATE	4
OR DRY SIDEWALL	WHITE	175°	1/2"	5.8	1/2"	GLOBE	GL5615	WHITE RECESSED	1
OR WITH HEAD GUARD	WHITE	175°	1/2"	5.8	1/2"	GLOBE	GL5615	N/A	7
OR HOR. SIDEWALL	WHITE	175°	1/2"	5.8	1/2"	GLOBE	GL5601	WHITE RECESSED	1
TOTAL SPRINKLERS THIS PROJECT		1484		TOTAL SPRINKLERS THIS DRAWING		1484			

PHOENIX FIRE PROTECTION, INC.
P.O. BOX 2881
2803 LEE AVENUE
SANFORD, N.C. 27332
PHONE: (919) 774-3042 FAX: (919) 774-1452

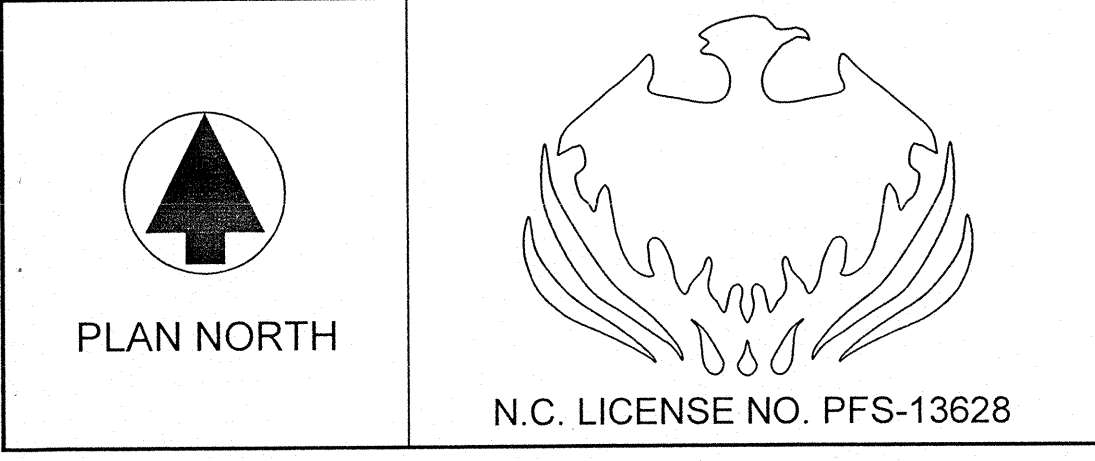
FIRE PROTECTION
NEW BERTIE HIGH SCHOOL
716 US 13 NORTH
WINDSOR, NORTH CAROLINA
DATE: 2-10-14
SHEET NO. FP-9 OF 22



GYM 300 WING FIRE PROTECTION HEAD LAYOUT PLAN
SCALE: 1/8" = 1'-0"



AS BUILT DRAWINGS
2-10-2014



APPROVING AGENCIES
APPROVING AUTHORITY: BERTIE COUNTY FIRE MARSHALL
UNDERWRITER: N.C. DEPT. OF INSURANCE
GENERAL CONTRACTOR: WIMCO CONSTRUCTION
ADDRESS: 2533 W. 5th. STREET
CITY & STATE: WASHINGTON, NC 27889-9078
PHONE NO.: 252-946-5175
FAX NO.: 252-946-4943

This fire sprinkler planning and design drawing has been prepared by Phoenix Fire Protection, Inc. as a licensed fire sprinkler contractor under Article 2 of Chapter 87 of the General Statutes for Phoenix Fire Protection, Inc.'s exclusive use pursuant to G.S. §89C-25(B), and Phoenix Fire Protection s must perform any and all installation work and other work performed in reliance on this drawing pursuant to G.S. §55B-15(a)(2). Installation work or any other work performed by any other person or entity in reliance on this drawing or any copy thereof is strictly prohibited. © 2010 Phoenix Fire Protection, Inc.

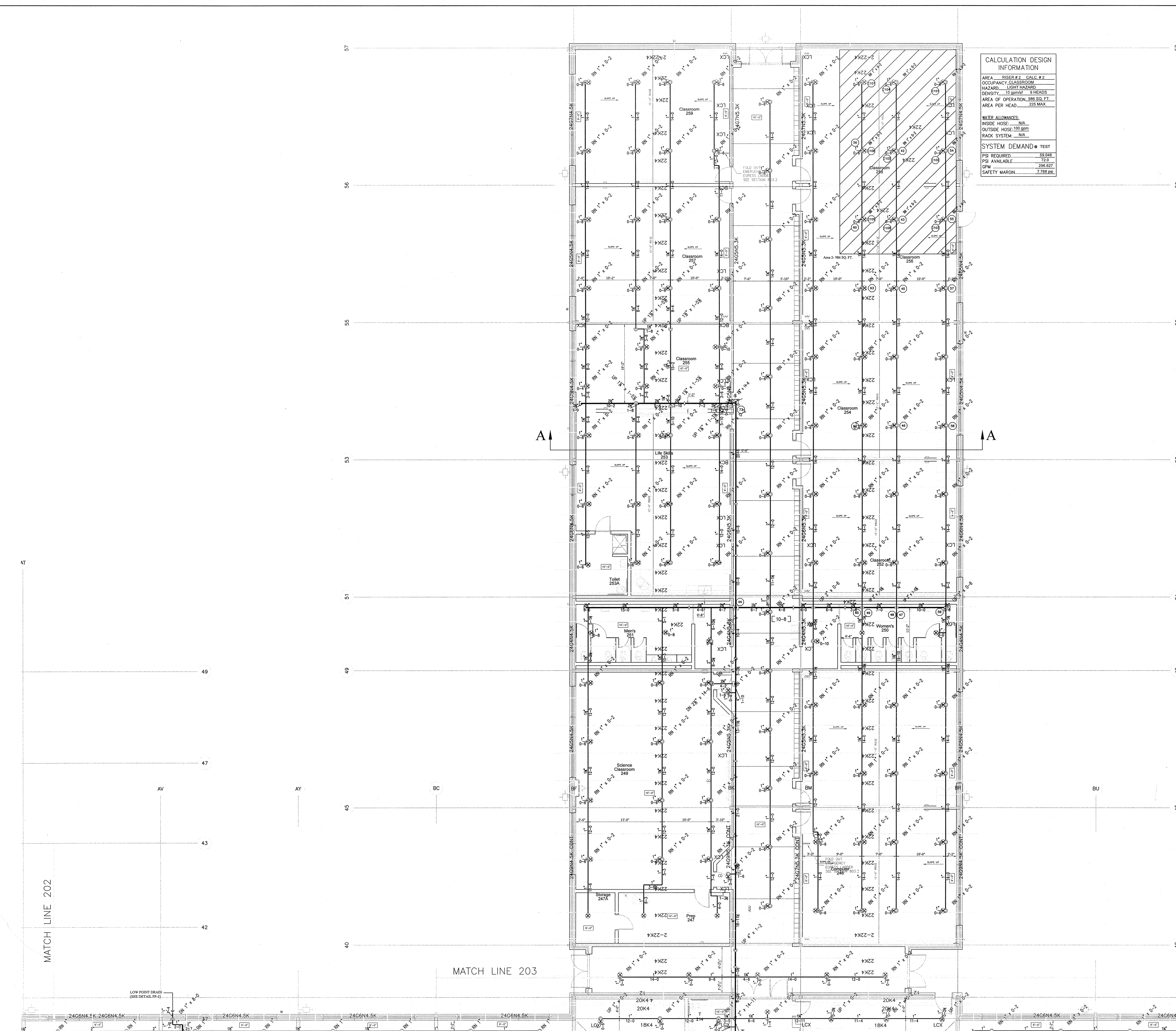
REVISIONS		SPRINKLER SUMMARY	
#	DATE	DESCRIPTION	
1	2/20/2013	ISSUE FOR SUBMITTAL	SHG
2	4/11/2013	PROVIDE COVERAGE UNDER CATWALK PER DOI COMMENTS	SHG

SYM	TYPE	FINISH	TEMP	DRIP	XC	NPT	MANUF.	SNP	ESDUTCHCON	QTY
⊙	DR CONCEALED	BRASS	175°	1/2"	5.6	100"	GLOBE	GL5608	155 WHITE COVERPLATE	1024
⊙	DR UPRIGHT	BRASS	175°	1/2"	5.6	1/2"	GLOBE	GL5615	N/A	318
⊙	DR PERPENDICULAR WITH HEAD GUARD	WHITE	175°	1/2"	5.6	1/2"	GLOBE	GL5601	N/A	97
⊙	DR UPRIGHT	BRASS	175°	1/2"	5.6	1/2"	GLOBE	GL5615	N/A	32
⊙	DR DRY CONCEALED	BRASS	175°	1/2"	5.6	1"	GLOBE	GL5637	155 WHITE COVERPLATE	4
⊙	DR DRY SIDEWALL	WHITE	175°	1/2"	5.6	1"	GLOBE	GL5641	WHITE RECESSED	1
⊙	DR UPRIGHT WITH HEAD GUARD	BRASS	175°	1/2"	5.6	1/2"	GLOBE	GL5615	N/A	7
⊙	DR HOR. SIDEWALL	WHITE	175°	1/2"	5.6	1/2"	GLOBE	GL5626	WHITE RECESSED	1

TOTAL SPRINKLERS THIS PROJECT 1484
TOTAL SPRINKLERS THIS DRAWING 1484

JOB #:	C20-12	PHOENIX FIRE PROTECTION, INC.
DATE:	2-20-2013	P.O. BOX 2081 SANFORD, N.C. 27332
SCALE:	AS NOTED	PHONE: (919) 774-5042 FAX: (919) 774-1492
DRAWN BY:	SHG	FIRE PROTECTION
CHK BY:	MRS MELVIN RANDALL STROHER	NEW BERTIE HIGH SCHOOL
		716 US 13 NORTH WINDSOR, NORTH CAROLINA
		DATE: 2-10-14

PHOENIX FIRE PROTECTION, INC.
P.O. BOX 2081
SANFORD, N.C. 27332
PHONE: (919) 774-5042 FAX: (919) 774-1492
FIRE PROTECTION
NEW BERTIE HIGH SCHOOL
716 US 13 NORTH
WINDSOR, NORTH CAROLINA
DATE: 2-10-14
SHEET NO. FP-8
OF 22



CALCULATION DESIGN INFORMATION

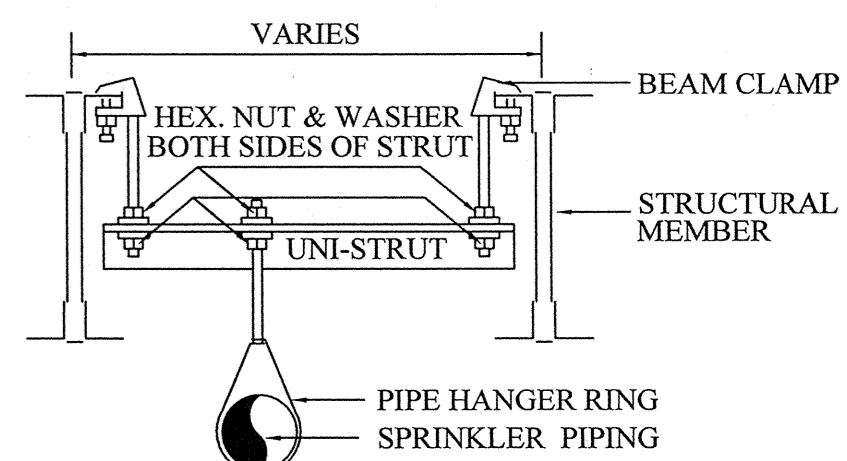
AREA RISER #2, CALC #2
 OCCUPANCY CLASSROOM
 HAZARDOUS LIGHT HAZARD
 DENSITY .50 gpm/ft² 5 HEADS
 AREA OF OPERATION 260.50 FT²
 AREA PER HEAD .225 MAX

WATER ALLOWANCES:
 INSIDE HOSE: N/A
 OUTSIDE HOSE 100 gpm
 RACK SYSTEM: N/A

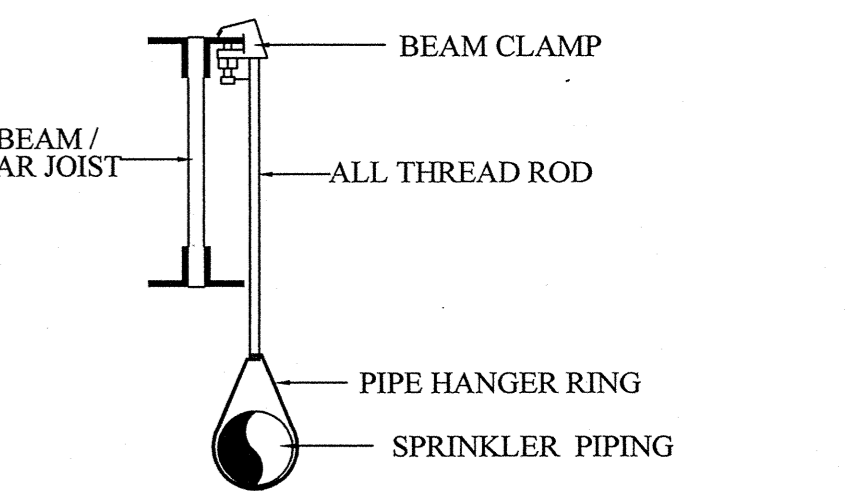
SYSTEM DEMAND TEST
 FR REQUIRED: 59.048
 PSI AVAILABLE: 72.5
 GPM: 296.627
 SAFETY MARGIN: 1.288 gpm

TRAPEZE HANGERS USING STRUT OR ANGLE IRON

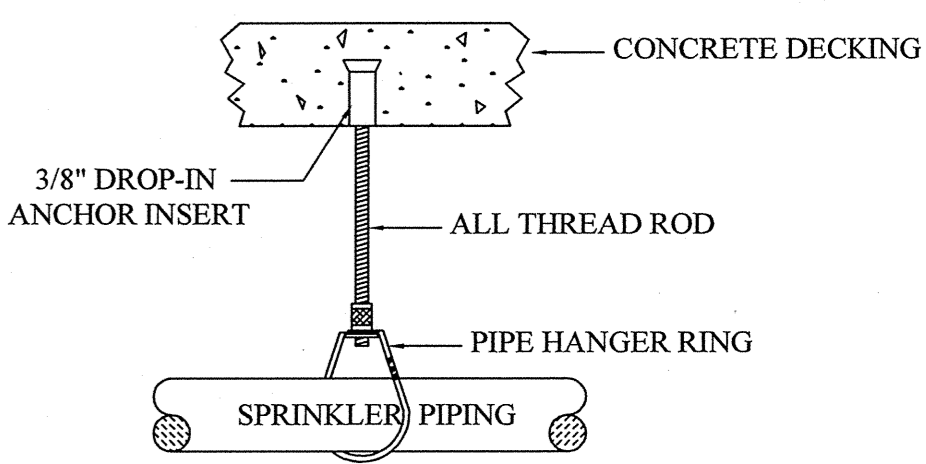
LENGTH OF TRAPEZE BAR OR LESS	NOMINAL PIPE SIZES							
	2 1/2" (65 mm)	3" (80 mm)	3 1/2" (90 mm)	4" (100 mm)	5" (125 mm)	6" (150 mm)	8" (200 mm)	10" (250 mm)
1'-0" (0.46 m)	1 1/2" x 1 1/2" x 3/16"	1 1/2" x 1 1/2" x 3/16"	1 1/2" x 1 1/2" x 3/16"	2" x 1 1/2" x 3/16"	2" x 1 1/2" x 3/16"	2 1/2" x 1 1/2" x 3/16"	3" x 2" x 3/16"	3" x 2" x 1/4"
2'-0" (0.61 m)	1 1/2" x 1 1/2" x 3/16"	2" x 1 1/2" x 3/16"	2" x 1 1/2" x 3/16"	2" x 1 1/2" x 3/16"	2 1/2" x 1 1/2" x 3/16"	2 1/2" x 1 1/2" x 3/16"	3" x 2" x 3/16"	3" x 2" x 1/4"
3'-0" (0.91 m)	2" x 1 1/2" x 3/16"	2" x 1 1/2" x 3/16"	2" x 1 1/2" x 3/16"	2 1/2" x 1 1/2" x 3/16"	2 1/2" x 1 1/2" x 3/16"	3" x 2" x 3/16"	3" x 2" x 1/4"	3" x 2" x 1/4"
4'-0" (1.22 m)	2 1/2" x 1 1/2" x 3/16"	2 1/2" x 1 1/2" x 3/16"	2 1/2" x 1 1/2" x 3/16"	3" x 2" x 3/16"	3" x 2" x 3/16"	3 1/2" x 2 1/2" x 3/16"	4" x 3" x 3/16"	3 1/2" x 3 1/2" x 3/16"
5'-0" (1.53 m)	2 1/2" x 1 1/2" x 3/16"	3" x 2" x 3/16"	3" x 2" x 3/16"	3" x 2" x 3/16"	3" x 2" x 3/16"	3 1/2" x 2 1/2" x 3/16"	4" x 3" x 3/16"	4" x 3" x 3/16"
6'-0" (1.83 m)	3" x 2" x 3/16"	3" x 2" x 3/16"	3" x 2" x 3/16"	3" x 2" x 3/16"	3 1/2" x 2 1/2" x 3/16"	3 1/2" x 2 1/2" x 3/16"	4" x 3" x 3/16"	4" x 3" x 3/16"
7'-0" (2.13 m)	3" x 2" x 3/16"	3" x 2" x 3/16"	3" x 2" x 3/16"	3" x 2" x 3/16"	3 1/2" x 2 1/2" x 3/16"	3 1/2" x 2 1/2" x 3/16"	4" x 3" x 3/16"	4" x 3" x 3/16"
8'-0" (2.44 m)	3" x 2" x 3/16"	3" x 2" x 3/16"	3" x 2" x 3/16"	3" x 2" x 3/16"	3 1/2" x 2 1/2" x 3/16"	3 1/2" x 2 1/2" x 3/16"	4" x 3" x 3/16"	4" x 3" x 3/16"
9'-0" (2.74 m)	3" x 2" x 3/16"	3" x 2" x 3/16"	3 1/2" x 2 1/2" x 3/16"	3 1/2" x 2 1/2" x 3/16"	3 1/2" x 2 1/2" x 3/16"	3 1/2" x 2 1/2" x 3/16"	4" x 3" x 3/16"	4" x 3" x 3/16"
10'-0" (3.05 m)	3" x 2" x 3/16"	3" x 2" x 3/16"	3 1/2" x 2 1/2" x 3/16"	3 1/2" x 2 1/2" x 3/16"	4" x 3" x 3/16"	4" x 3" x 3/16"	4" x 3" x 3/16"	4" x 3" x 3/16"



TRAPEZE HANGER DETAIL
N.T.S.

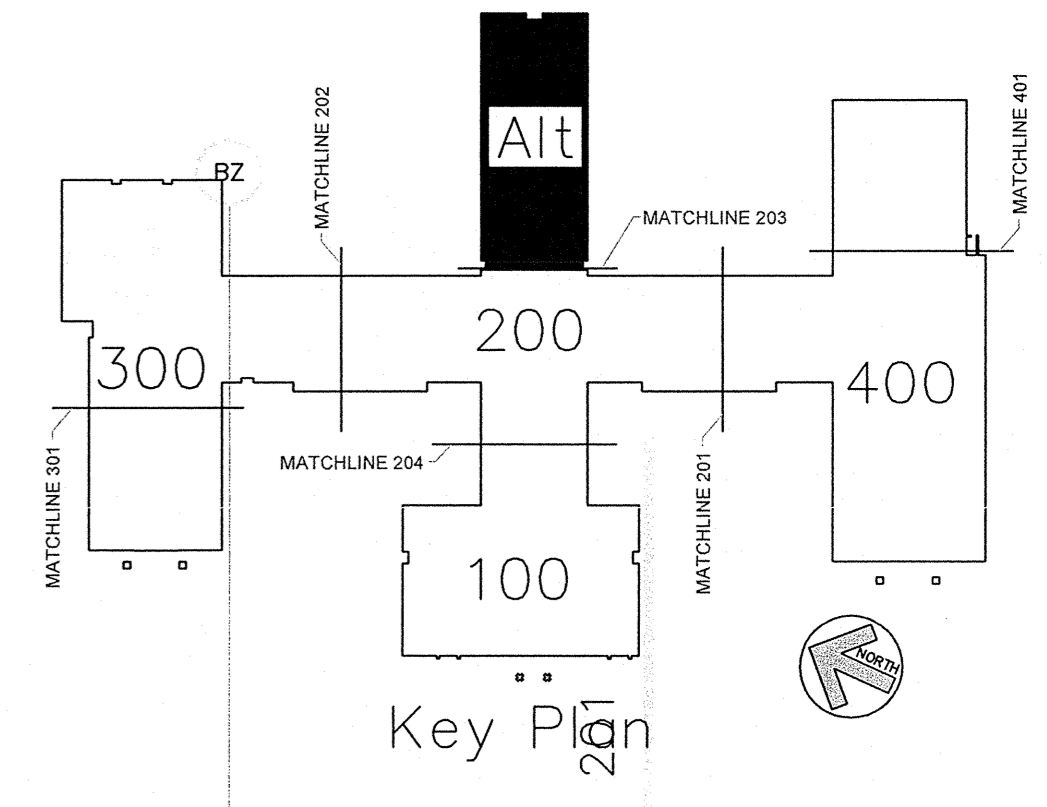


STRUCTURAL HANGER DETAIL
N.T.S.



CONCRETE HANGER DETAIL
N.T.S.

ALT. CLASSROOM WING FIRE PROTECTION PIPING LAYOUT PLAN
SCALE: 1/8" = 1'-0"



AS BUILT DRAWINGS
2-10-2014

APPROVING AGENCIES

APPROVING AUTHORITY: BERTIE COUNTY FIRE MARSHALL

UNDERWRITER: N.C. DEPT. OF INSURANCE

GENERAL CONTRACTOR: WIMCO CONSTRUCTION
 ADDRESS: 2533 W. 5th STREET
 CITY & STATE: WASHINGTON, NC 27889-9078
 PHONE NO.: 252-946-5175
 FAX NO.: 252-946-4943

PLAN NORTH

N.C. LICENSE NO. PFS-13628

This fire sprinkler planning and design drawing has been prepared by Phoenix Fire Protection, Inc. as a licensed fire sprinkler contractor under Article 2 of Chapter 87 of the General Statutes for Phoenix Fire Protection, Inc.'s exclusive use pursuant to G.S. §89C-25(8), and Phoenix Fire Protection, Inc. must perform any and all installation work and other work performed in reliance on this drawing pursuant to G.S. §55B-15(a)(2). Installation work or any other work performed by any other person or entity in reliance on this drawing or any copy thereof is strictly prohibited. © 2010 Phoenix Fire Protection, Inc.

REVISIONS

#	DATE	DESCRIPTION	BY
1	2/20/2013	ISSUE FOR SUBMITTAL	SHG
2	4/11/2013	PROVIDE COVERAGE UNDER CATWALK	SHG
3		PER DOI COMMENTS	

SPRINKLER SUMMARY

SYM	TYPE	FINISH	TEMP	DRY	"K"	NPT	MANUF.	SINE	ESCUATCHED/EN	QTY.
OR CONCEALED	BRASS	175°	1/2"	5.6	1/2"	GLOBE	GL5906	155° WHITE COVERPLATE	1024	
OR UPRIGHT	BRASS	175°	1/2"	5.6	1/2"	GLOBE	GL5915	N/A	318	
OR UPRIGHT WITH HEAD GUARD	WHITE	175°	1/2"	5.6	1/2"	GLOBE	GL5921	N/A	37	
OR UPRIGHT	BRASS	175°	1/2"	5.6	1/2"	GLOBE	GL5915	N/A	32	
OR DRY CONCEALED	BRASS	175°	1/2"	5.6	1/2"	GLOBE	GL5937	155° WHITE COVERPLATE	4	
OR DRY SIDEWALL	WHITE	175°	1/2"	5.6	1/2"	GLOBE	GL5941	WHITE RECESSED	1	
OR UPRIGHT WITH HEAD GUARD	BRASS	175°	1/2"	5.6	1/2"	GLOBE	GL5915	N/A	1	
OR HOR. SIDEWALL	WHITE	175°	1/2"	5.6	1/2"	GLOBE	GL5928	WHITE RECESSED	1	

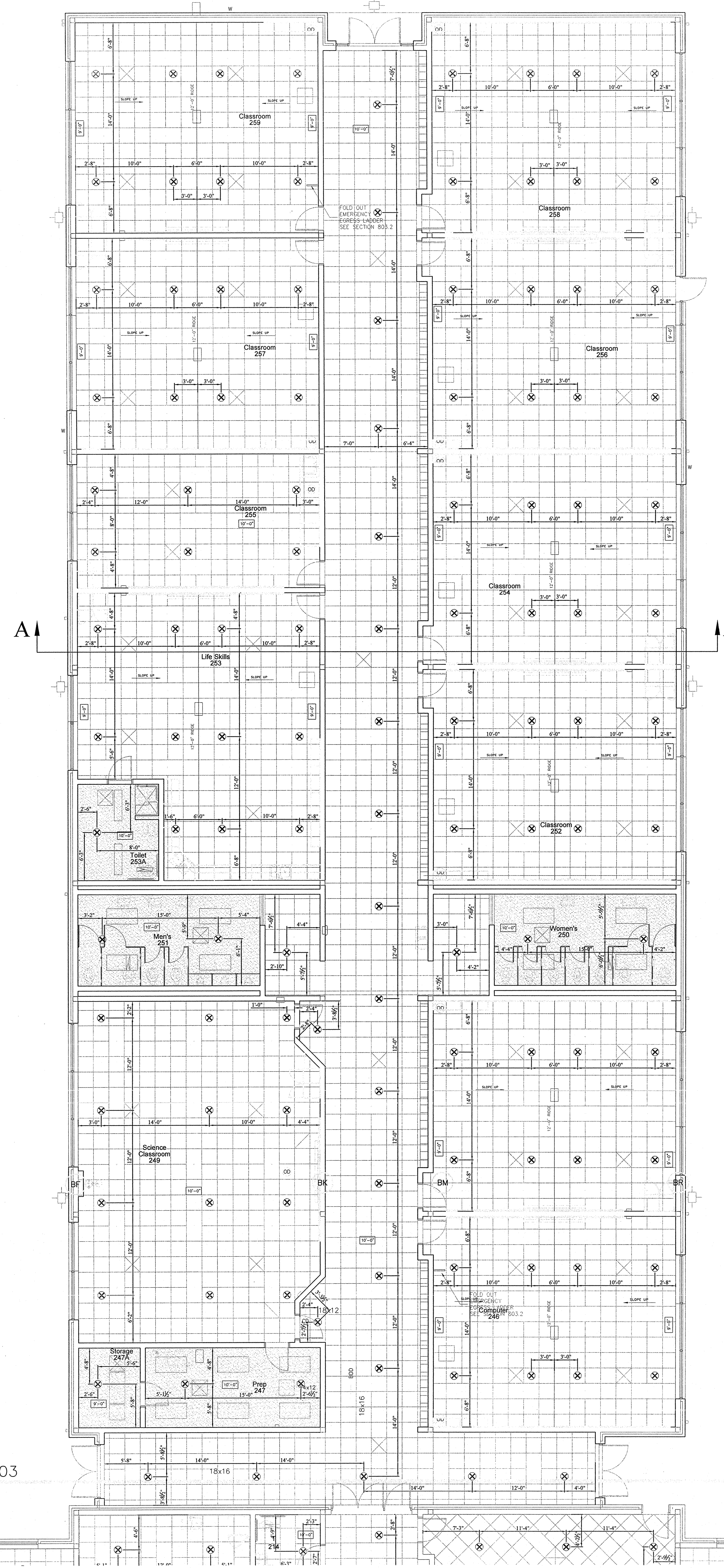
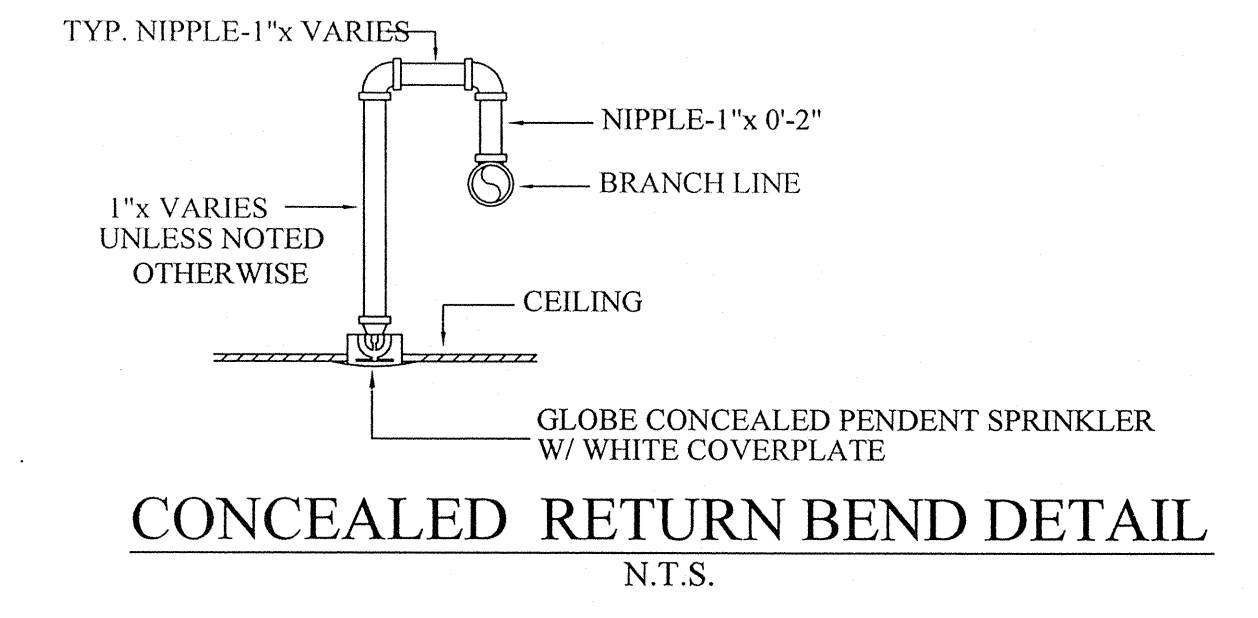
TOTAL SPRINKLERS THIS PROJECT: 1484
 TOTAL SPRINKLERS THIS DRAWING: 1484

PHOENIX FIRE PROTECTION, INC.
 P.O. BOX 2851
 2863 LEE AVENUE
 SANFORD, N.C. 27332
 PHONE: (919) 774-3042 FAX: (919) 774-1492

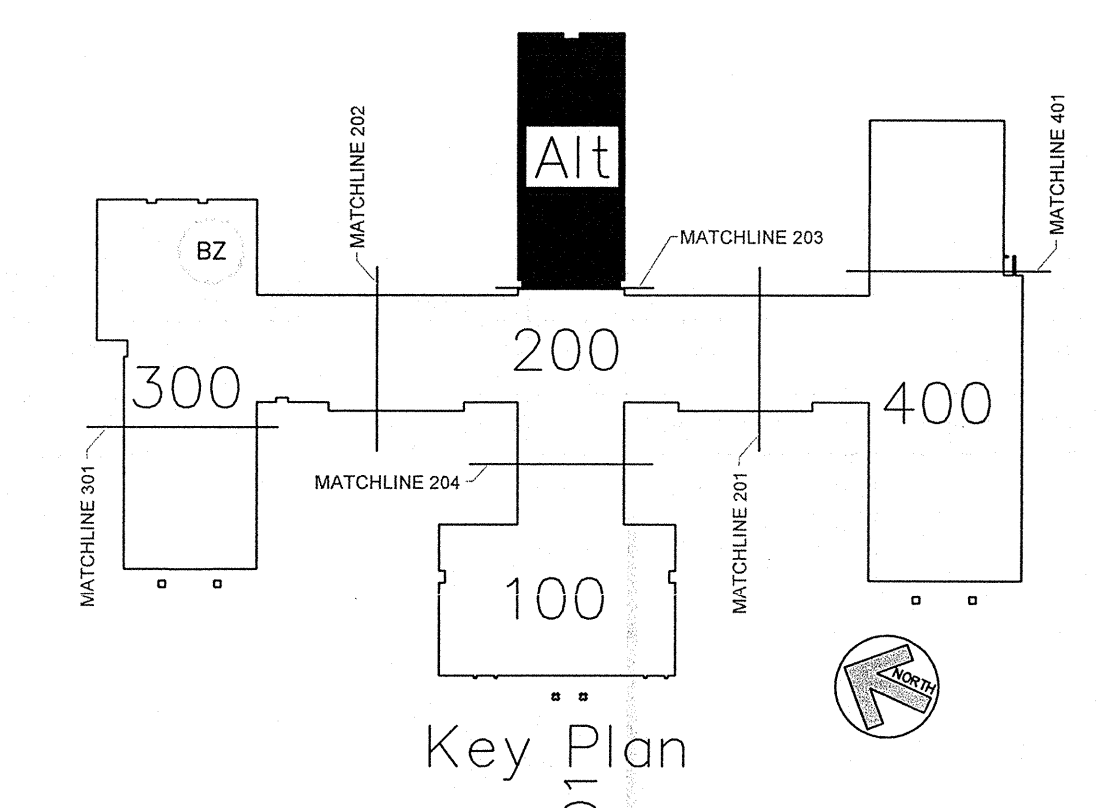
FIRE PROTECTION

NEW BERTIE HIGH SCHOOL
 716 US 13 NORTH
 WINDSOR, NORTH CAROLINA

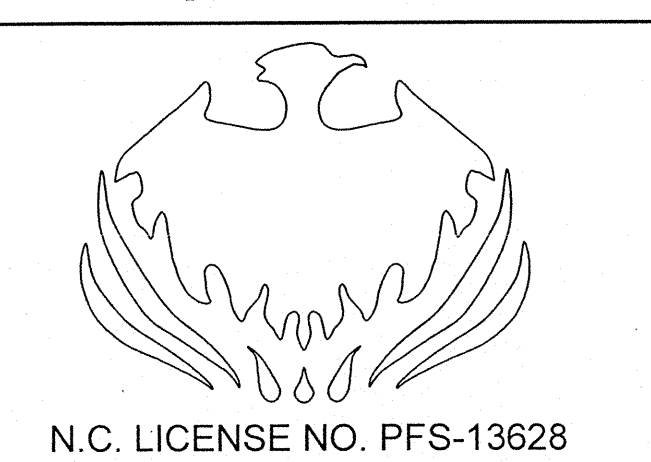
DATE: 2-20-2013
 SCALE: AS NOTED
 DRAWN BY: MELVIN RANDALL STROTHER
 CHECKED BY: MRS. MELVIN RANDALL STROTHER
 SHEET NO. FP-7 OF 22



ALT. CLASSROOM WING FIRE PROTECTION HEAD LAYOUT PLAN
SCALE: 1/8" = 1'-0"



AS BUILT DRAWINGS
2-10-2014



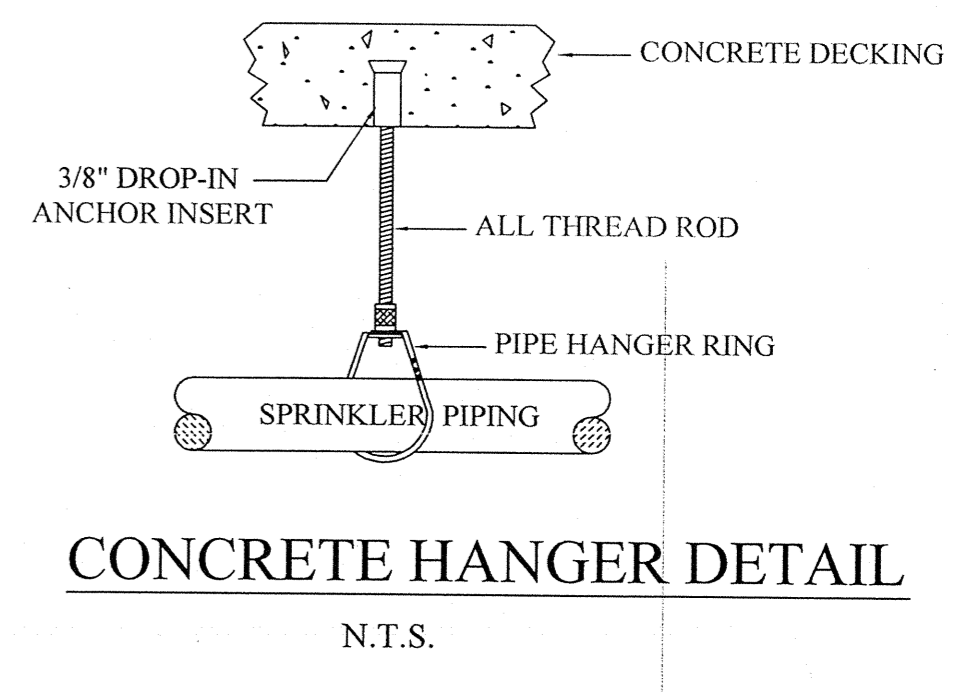
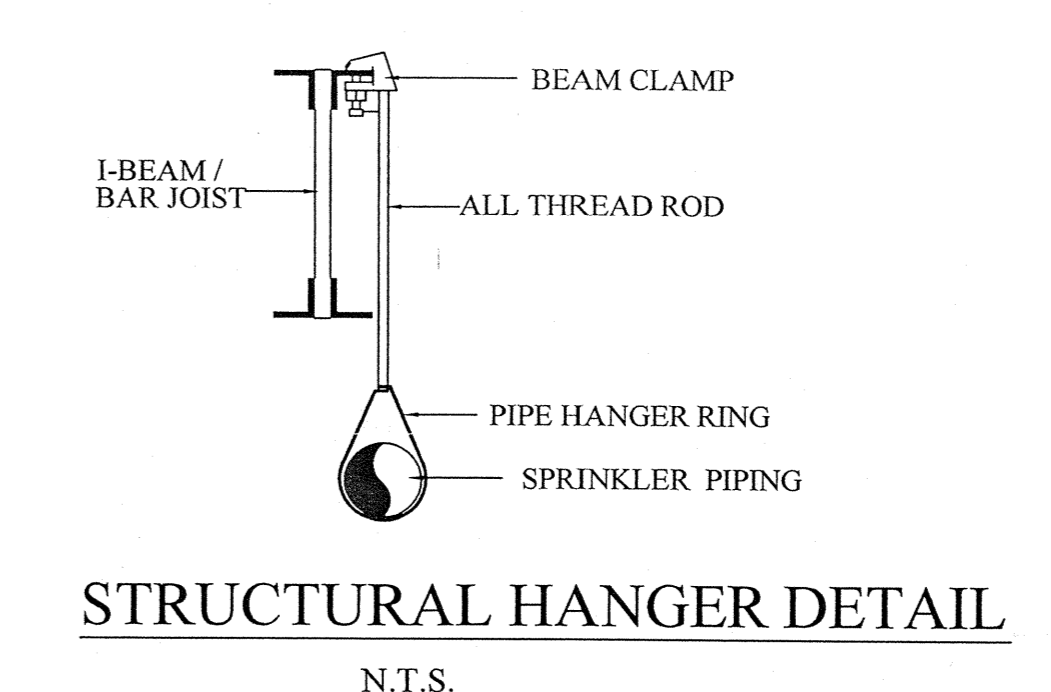
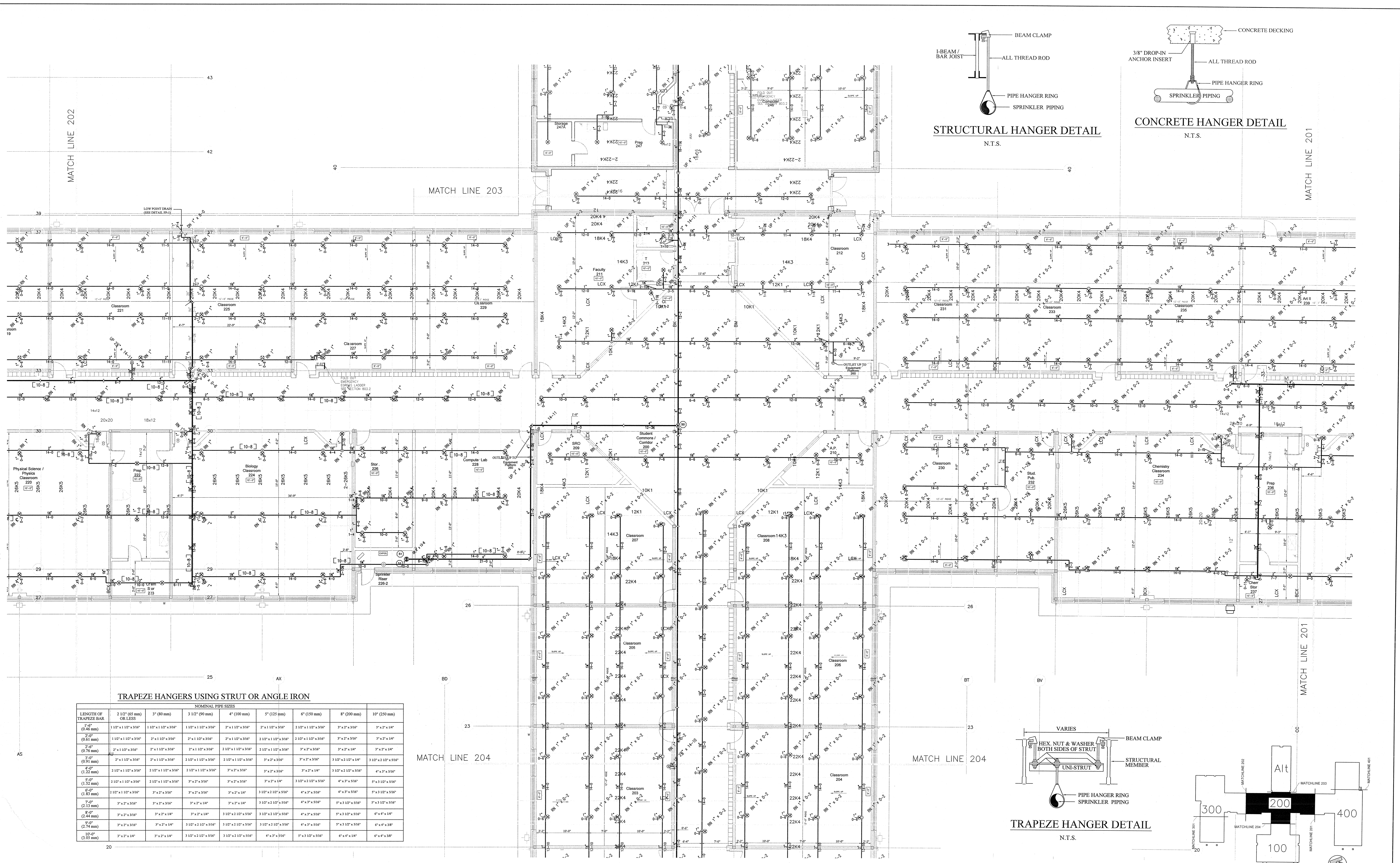
APPROVING AGENCIES
APPROVING AUTHORITY: BERTIE COUNTY FIRE MARSHALL
UNDERWRITER: N.C. DEPT. OF INSURANCE
GENERAL CONTRACTOR: WIMCO CONSTRUCTION
ADDRESS: 2533 W. 5th. STREET
CITY & STATE: WASHINGTON, NC 27889-9078
PHONE NO.: 252-946-5175
FAX NO.: 252-946-4943

This fire sprinkler planning and design drawing has been prepared by Phoenix Fire Protection, Inc. as a licensed fire sprinkler contractor under Article 2 of Chapter 87 of the General Statutes for Phoenix Fire Protection, Inc.'s exclusive use pursuant to G.S. §89C-25(8), and Phoenix Fire Protection s must perform any and all installation work and other work performed in reliance on this drawing pursuant to G.S. §55B-15(a)(2). Installation work or any other work performed by any other person or entity in reliance on this drawing or any copy thereof is strictly prohibited. © 2010 Phoenix Fire Protection, Inc.

REVISIONS	
#	DATE
1	2/20/2013
2	4/11/2013

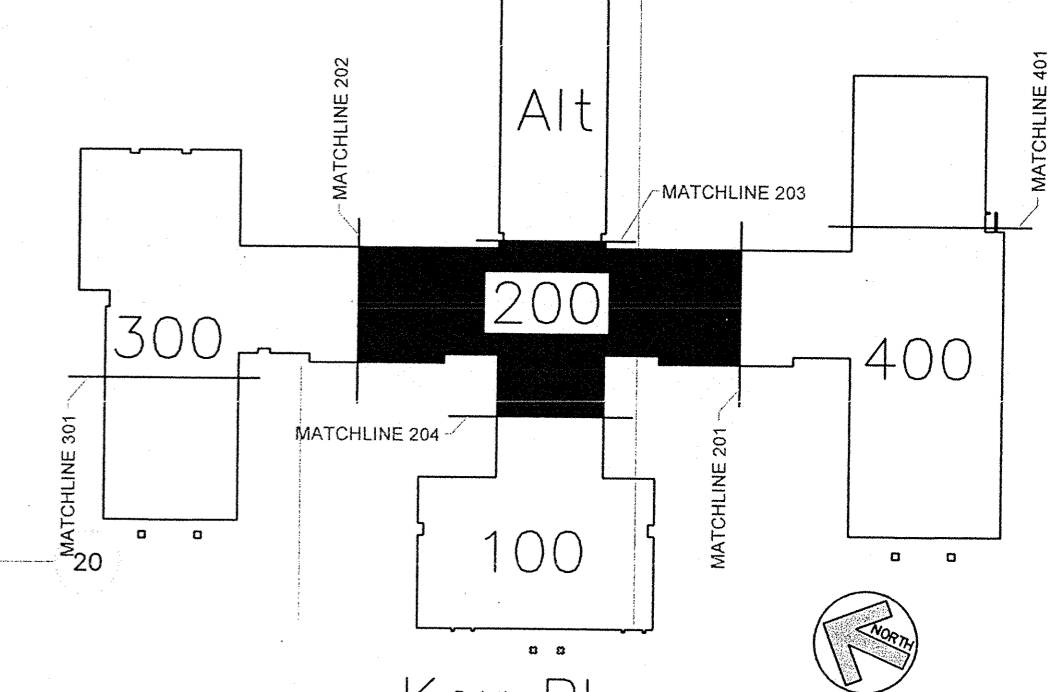
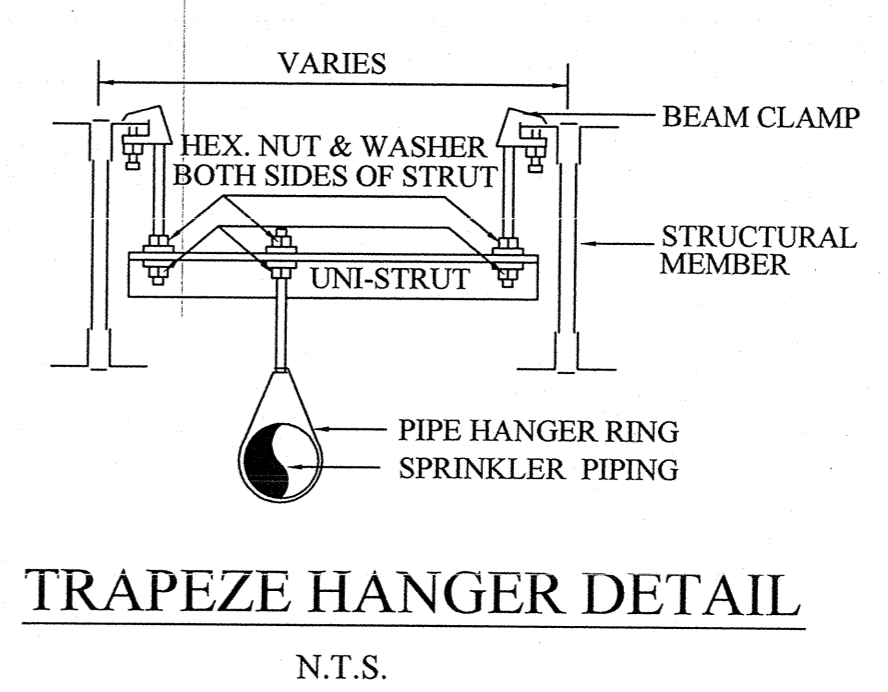
SPRINKLER SUMMARY											
SYM	TYPE	FINISH	TEMP	ORIF	SC	NPT	MANUF.	SNW	ESCU	QTY.	DATE
SHG	DR CONCEALED	BRASS	175°	1/2"	5.6	1/2"	GLOBE	GL5606	155° WHITE COVERPLATE	324	2-20-2013
SHG	DR UPRIGHT	BRASS	175°	1/2"	5.6	1/2"	GLOBE	GL5615	N/A	97	AS NOTED
SHG	DR UPRIGHT	WHITE	175°	1/2"	5.6	1/2"	GLOBE	GL5601	N/A	32	AS NOTED
SHG	DR UPRIGHT	WHITE	175°	1/2"	5.6	1/2"	GLOBE	GL5615	N/A	7	AS NOTED
SHG	DR DRY CONCEALED	BRASS	175°	1/2"	5.6	1"	GLOBE	GL5637	155° WHITE COVERPLATE	4	AS NOTED
SHG	DR DRY SIDEWALL	WHITE	175°	1/2"	5.6	1"	GLOBE	GL5641	WHITE RECESSED	1	AS NOTED
SHG	DR UPRIGHT	BRASS	175°	1/2"	5.6	1/2"	GLOBE	GL5615	N/A	7	AS NOTED
SHG	DR HOR. SIDEWALL	WHITE	175°	1/2"	5.6	1/2"	GLOBE	GL5626	WHITE RECESSED	1	AS NOTED
TOTAL SPRINKLERS THIS PROJECT										1484	
TOTAL SPRINKLERS THIS DRAWING										1484	

JOB #: C20-12
DATE: 2-20-2013
SCALE: AS NOTED
DRAWN BY: SHG
CHK. BY: MRS
PHOENIX FIRE PROTECTION, INC.
P.O. BOX 2881
2863 LEE AVENUE
SANFORD, N.C. 27332
PHONE: (919) 774-3042 FAX: (919) 774-1492
FIRE PROTECTION
NEW BERTIE HIGH SCHOOL
716 US 13 NORTH
WINDSOR, NORTH CAROLINA
DATE: 2-18-14
SHEET NO. FP-6 OF 22



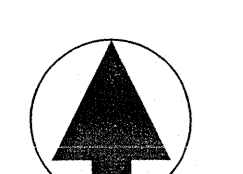
TRAPEZE HANGERS USING STRUT OR ANGLE IRON

LENGTH OF TRAPEZE HANGER	NOMINAL PIPE SIZES						
	2 1/2" (65 mm)	3" (80 mm)	3 1/2" (90 mm)	4" (100 mm)	5" (125 mm)	6" (150 mm)	8" (200 mm)
1'-0" (0.46 mm)	1 1/2" x 1 1/2" x 3/16"	1 1/2" x 1 1/2" x 3/16"	1 1/2" x 1 1/2" x 3/16"	1 1/2" x 1 1/2" x 3/16"	1 1/2" x 1 1/2" x 3/16"	1 1/2" x 1 1/2" x 3/16"	1 1/2" x 1 1/2" x 3/16"
1'-6" (0.61 mm)	1 1/2" x 1 1/2" x 3/16"	1 1/2" x 1 1/2" x 3/16"	1 1/2" x 1 1/2" x 3/16"	1 1/2" x 1 1/2" x 3/16"	1 1/2" x 1 1/2" x 3/16"	1 1/2" x 1 1/2" x 3/16"	1 1/2" x 1 1/2" x 3/16"
2'-0" (0.76 mm)	1 1/2" x 1 1/2" x 3/16"	1 1/2" x 1 1/2" x 3/16"	1 1/2" x 1 1/2" x 3/16"	1 1/2" x 1 1/2" x 3/16"	1 1/2" x 1 1/2" x 3/16"	1 1/2" x 1 1/2" x 3/16"	1 1/2" x 1 1/2" x 3/16"
3'-0" (0.91 mm)	1 1/2" x 1 1/2" x 3/16"	1 1/2" x 1 1/2" x 3/16"	1 1/2" x 1 1/2" x 3/16"	1 1/2" x 1 1/2" x 3/16"	1 1/2" x 1 1/2" x 3/16"	1 1/2" x 1 1/2" x 3/16"	1 1/2" x 1 1/2" x 3/16"
4'-0" (1.22 mm)	1 1/2" x 1 1/2" x 3/16"	1 1/2" x 1 1/2" x 3/16"	1 1/2" x 1 1/2" x 3/16"	1 1/2" x 1 1/2" x 3/16"	1 1/2" x 1 1/2" x 3/16"	1 1/2" x 1 1/2" x 3/16"	1 1/2" x 1 1/2" x 3/16"
5'-0" (1.52 mm)	1 1/2" x 1 1/2" x 3/16"	1 1/2" x 1 1/2" x 3/16"	1 1/2" x 1 1/2" x 3/16"	1 1/2" x 1 1/2" x 3/16"	1 1/2" x 1 1/2" x 3/16"	1 1/2" x 1 1/2" x 3/16"	1 1/2" x 1 1/2" x 3/16"
6'-0" (1.83 mm)	1 1/2" x 1 1/2" x 3/16"	1 1/2" x 1 1/2" x 3/16"	1 1/2" x 1 1/2" x 3/16"	1 1/2" x 1 1/2" x 3/16"	1 1/2" x 1 1/2" x 3/16"	1 1/2" x 1 1/2" x 3/16"	1 1/2" x 1 1/2" x 3/16"
7'-0" (2.14 mm)	1 1/2" x 1 1/2" x 3/16"	1 1/2" x 1 1/2" x 3/16"	1 1/2" x 1 1/2" x 3/16"	1 1/2" x 1 1/2" x 3/16"	1 1/2" x 1 1/2" x 3/16"	1 1/2" x 1 1/2" x 3/16"	1 1/2" x 1 1/2" x 3/16"
8'-0" (2.44 mm)	1 1/2" x 1 1/2" x 3/16"	1 1/2" x 1 1/2" x 3/16"	1 1/2" x 1 1/2" x 3/16"	1 1/2" x 1 1/2" x 3/16"	1 1/2" x 1 1/2" x 3/16"	1 1/2" x 1 1/2" x 3/16"	1 1/2" x 1 1/2" x 3/16"
9'-0" (2.74 mm)	1 1/2" x 1 1/2" x 3/16"	1 1/2" x 1 1/2" x 3/16"	1 1/2" x 1 1/2" x 3/16"	1 1/2" x 1 1/2" x 3/16"	1 1/2" x 1 1/2" x 3/16"	1 1/2" x 1 1/2" x 3/16"	1 1/2" x 1 1/2" x 3/16"
10'-0" (3.05 mm)	1 1/2" x 1 1/2" x 3/16"	1 1/2" x 1 1/2" x 3/16"	1 1/2" x 1 1/2" x 3/16"	1 1/2" x 1 1/2" x 3/16"	1 1/2" x 1 1/2" x 3/16"	1 1/2" x 1 1/2" x 3/16"	1 1/2" x 1 1/2" x 3/16"

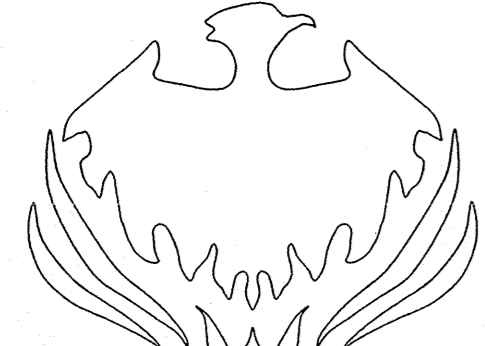


CLASSROOM 200 WING FIRE PROTECTION PIPING LAYOUT PLAN
SCALE: 1/8" = 1'-0"

AS BUILT DRAWINGS
2-10-2014



PLAN NORTH



N.C. LICENSE NO. PFS-13628

APPROVING AGENCIES

APPROVING AUTHORITY: BERTIE COUNTY FIRE MARSHALL

UNDERWRITER: N.C. DEPT. OF INSURANCE

GENERAL CONTRACTOR: WIMCO CONSTRUCTION

ADDRESS: 2533 W. 5th. STREET

CITY & STATE: WASHINGTON, NC 27889-9078

PHONE NO.: 252-946-5175

FAX NO.: 252-946-4943

This fire sprinkler planning and design drawing has been prepared by Phoenix Fire Protection, Inc. as a licensed fire sprinkler contractor under Article 2 of Chapter 87 of the General Statutes for Phoenix Fire Protection, Inc.'s exclusive use pursuant to G.S. §89C-25(8), and Phoenix Fire Protection s must perform any and all installation work and other work performed in reliance on this drawing pursuant to G.S. §55B-15(a)(2). Installation work or any other work performed by any other person or entity in reliance on this drawing or any copy thereof is strictly prohibited. © 2010 Phoenix Fire Protection, Inc.

REVISIONS		BY		SYMBOL		DESCRIPTION	
#	DATE	SYMBOL	DESCRIPTION	BY	SYMBOL	DESCRIPTION	DESCRIPTION
1	2/20/2013	SHG	ISSUE FOR SUBMITTAL	SHG	SHG	ISSUE FOR SUBMITTAL	ISSUE FOR SUBMITTAL
2	4/15/2013	SHG	PROVIDE COVERAGE UNDER CATWALK PER DOJ COMMENTS	SHG	SHG	PROVIDE COVERAGE UNDER CATWALK PER DOJ COMMENTS	PROVIDE COVERAGE UNDER CATWALK PER DOJ COMMENTS

SPRINKLER SUMMARY		TOTAL SPRINKLERS THIS PROJECT		TOTAL SPRINKLERS THIS DRAWING	
SYMBOL	DESCRIPTION	QTY	QTY	QTY	QTY
GR CONCEALED	BRASS 175° 1/2" 5.6 1/2" GLOBE	1484	1484	1484	1484
GR UPRIGHT	BRASS 175° 1/2" 5.6 1/2" GLOBE	0	0	0	0
GR WET PIPING GUARD	WHITE 175° 1/2" 5.6 1/2" GLOBE	0	0	0	0
GR WET PIPING GUARD	WHITE 175° 1/2" 5.6 1/2" GLOBE	0	0	0	0
GR DRY CONCEALED	BRASS 175° 1/2" 5.6 1/2" GLOBE	0	0	0	0
GR DRY SIDEWALL	WHITE 175° 1/2" 5.6 1/2" GLOBE	0	0	0	0
GR WET PIPING GUARD	WHITE 175° 1/2" 5.6 1/2" GLOBE	0	0	0	0
GR HOR. SIDEWALL	WHITE 175° 1/2" 5.6 1/2" GLOBE	0	0	0	0

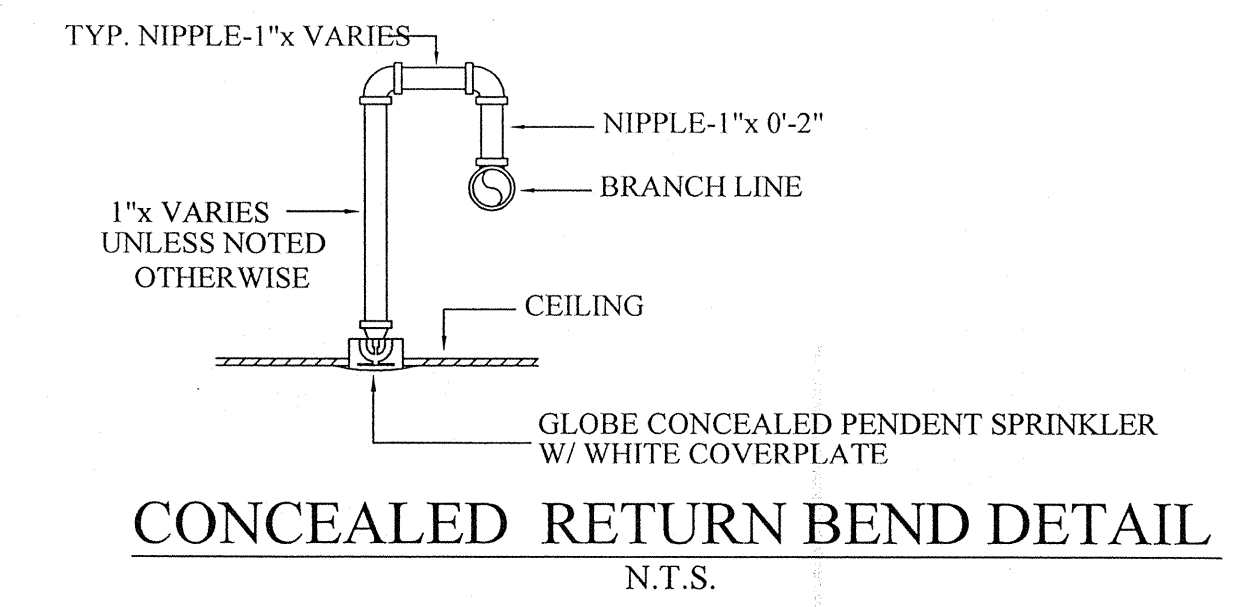
JOB #: C20-12
DATE: 2-20-2013
SCALE: AS NOTED
DRAWN BY: SHG
CHK BY: MRS

PHOENIX FIRE PROTECTION, INC.
P.O. BOX 2881
2885 LEE AVENUE
SANFORD, N.C. 27332
PHONE: (919) 774-3042 FAX: (919) 774-1492

FIRE PROTECTION
NEW BERTIE HIGH SCHOOL
716 US 13 NORTH
WINDSOR, NORTH CAROLINA

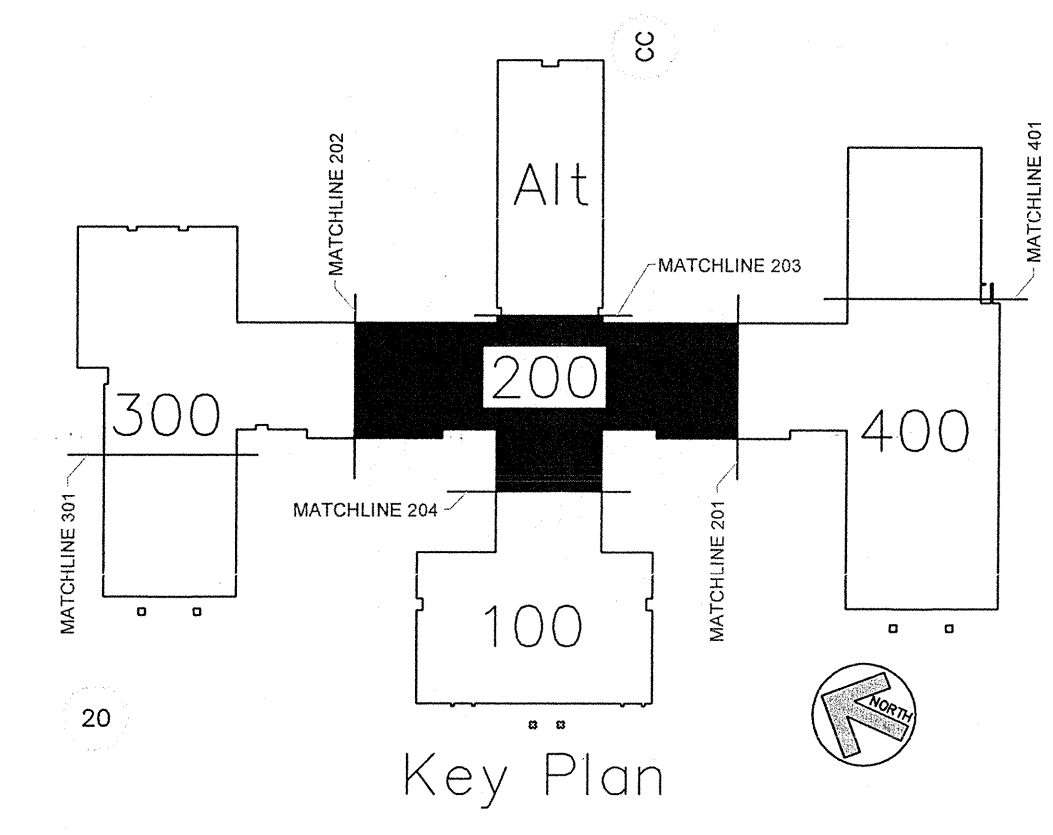
MELVIN RANDALL SPROTHER
REGISTERED PROFESSIONAL ENGINEER
NO. 416645

DATE: 2-18-14
SHEET NO. FP-5 OF 22



CLASSROOM 200 WING FIRE PROTECTION HEAD LAYOUT PLAN
SCALE: 1/8" = 1'-0"

AS BUILT DRAWINGS
2-10-2014



PLAN NORTH
N.C. LICENSE NO. PFS-13628

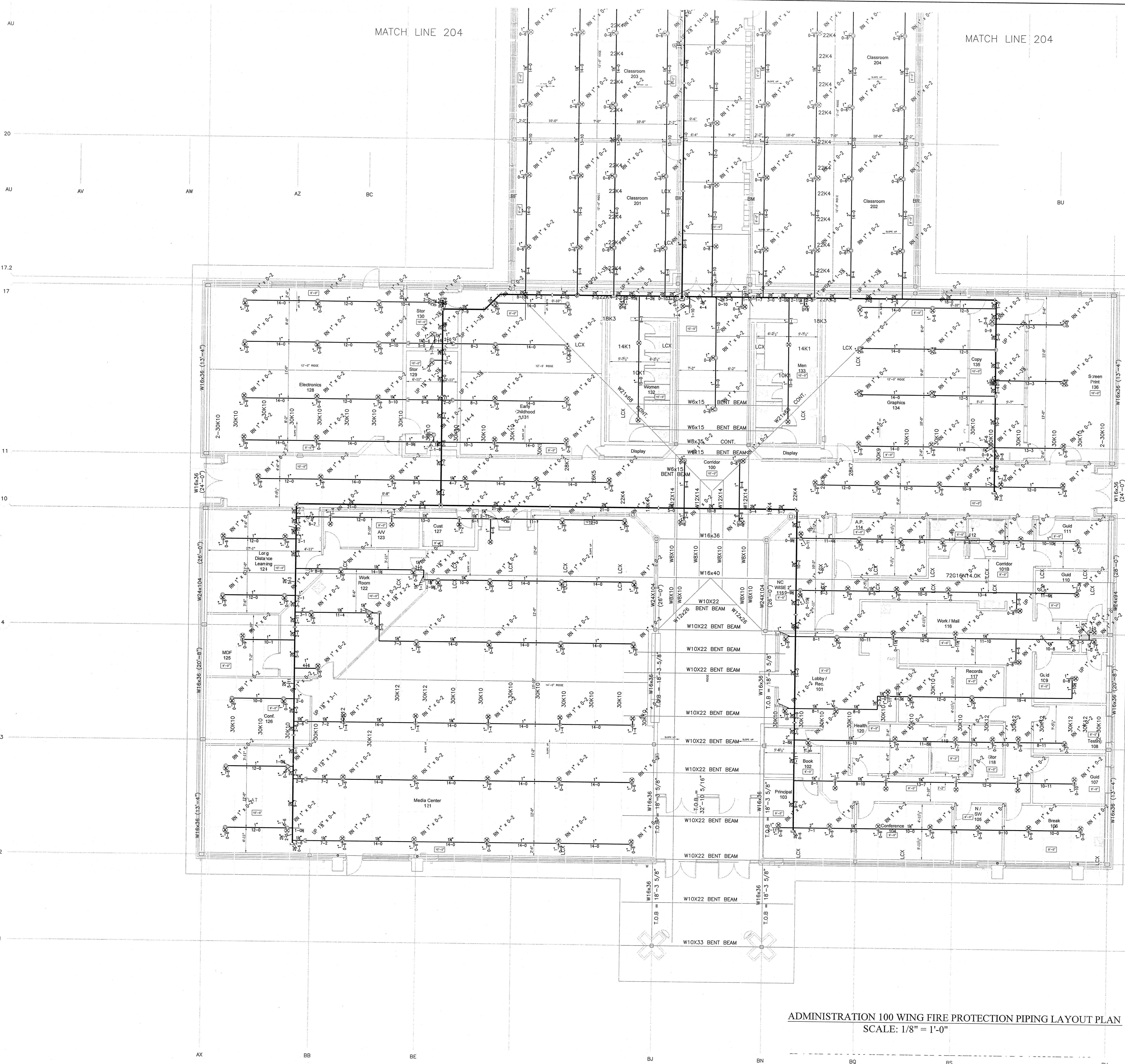
APPROVING AGENCIES
APPROVING AUTHORITY: BERTIE COUNTY FIRE MARSHALL
UNDERWRITER: N.C. DEPT. OF INSURANCE
GENERAL CONTRACTOR: WIMCO CONSTRUCTION
ADDRESS: 2533 W. 5th STREET
CITY & STATE: WASHINGTON, NC 27889-9078
PHONE NO.: 252-946-5175
FAX NO.: 252-946-4943

This fire sprinkler planning and design drawing has been prepared by Phoenix Fire Protection, Inc. as a licensed fire sprinkler contractor under Article 2 of Chapter 87 of the General Statutes for Phoenix Fire Protection, Inc.'s exclusive use pursuant to G.S. §89C-25(8), and Phoenix Fire Protection's must perform any and all installation work and other work performed in reliance on this drawing pursuant to G.S. §55B-15(a)(2). Installation work or any other work performed by any other person or entity in reliance on this drawing or any copy thereof is strictly prohibited. © 2010 Phoenix Fire Protection, Inc.

REVISIONS		BY		SPRINKLER SUMMARY										
#	DATE	DESCRIPTION	SHG	SHG	TYPE	FINISH	TEMP	CRIP	HT	WPT	MANUF.	Q208	ESCUTCHION	QTY.
1	2/20/2013	ISSUE FOR SUBMITTAL	SHG	SHG	OR CONCEALED	BRASS	175°	1/2"	5.6	1/2"	GLOBE	GL5005	155' WHITE COVERPLATE	1024
2	4/15/2013	PROVIDE COVERAGE UNDER CATWALK PER DOJ COMMENTS	SHG	SHG	OR UPRIGHT	BRASS	175°	1/2"	5.6	1/2"	GLOBE	GL5615	N/A	318
3					OR UPRIGHT	WHITE	175°	1/2"	5.6	1/2"	GLOBE	GL5601	N/A	97
4					OR UPRIGHT	BRASS	175°	1/2"	5.6	1/2"	GLOBE	GL5615	N/A	32
5					OR DRY CONCEALED	BRASS	175°	1/2"	5.6	1"	GLOBE	GL5637	155' WHITE COVERPLATE	4
6					OR DRY SIDEWALL	WHITE	175°	1/2"	5.6	1"	GLOBE	GL5641	WHITE RECESSED	1
7					OR UPRIGHT	BRASS	175°	1/2"	5.6	1/2"	GLOBE	GL5615	N/A	7
8					OR HOR. SIDEWALL	WHITE	175°	1/2"	5.6	1/2"	GLOBE	GL5629	WHITE RECESSED	1
TOTAL SPRINKLERS THIS PROJECT												1484	TOTAL SPRINKLERS THIS DRAWING	1484

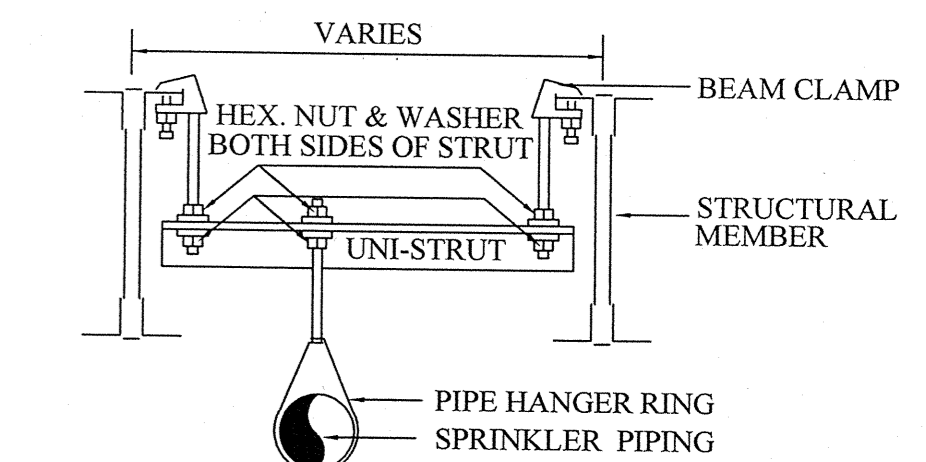
JOB #:	C20-12	PHOENIX FIRE PROTECTION, INC.
DATE:	2-20-2013	P.O. BOX 2881 2883 LEE AVENUE SANFORD, N.C. 27332
SCALE:	AS NOTED	PHONE: (919) 774-3042 FAX: (919) 774-1922
DRAWN BY:	MRS	FIRE PROTECTION
CHK. BY:	MRS	NEW BERTIE HIGH SCHOOL
		716 US 13 NORTH WINDSOR, NORTH CAROLINA
		DATE: 2-18-14
		SHEET NO. FP-4
		OF 22

MELVIN RANDALL STROTHER
NICET LEVEL III, CERT. NO. 116465

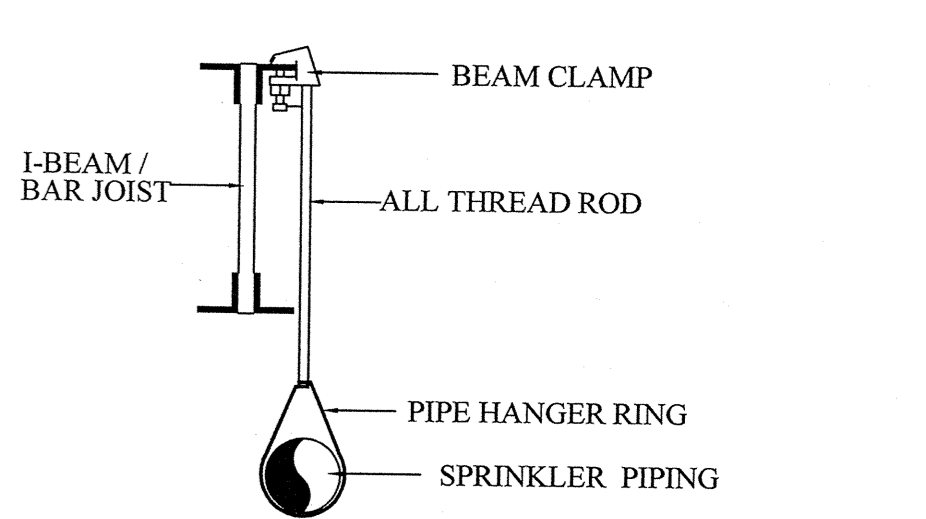


TRAPEZE HANGERS USING STRUT OR ANGLE IRON

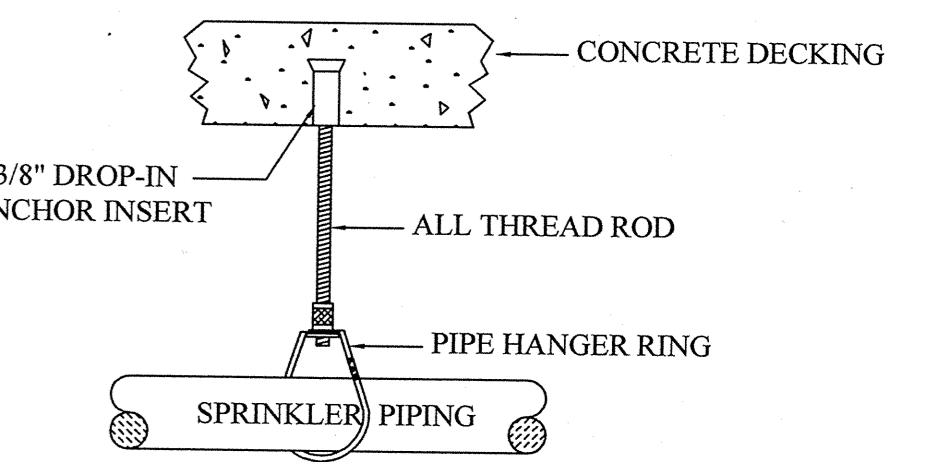
LENGTH OF TRAPEZE BAR	NOMINAL PIPE SIZES						
	2 1/2" (63.5 mm) OR LESS	3" (76.2 mm)	3 1/2" (89 mm)	4" (101.6 mm)	5" (127 mm)	6" (152.4 mm)	8" (203.2 mm)
1'-0" (304.8 mm)	1 1/2" x 1 1/2" x 3/16"	1 1/2" x 1 1/2" x 3/16"	1 1/2" x 1 1/2" x 3/16"	2" x 1 1/2" x 3/16"	2" x 1 1/2" x 3/16"	2 1/2" x 1 1/2" x 3/16"	3" x 2" x 3/16"
2'-0" (609.6 mm)	1 1/2" x 1 1/2" x 3/16"	2" x 1 1/2" x 3/16"	2" x 1 1/2" x 3/16"	2" x 1 1/2" x 3/16"	2 1/2" x 1 1/2" x 3/16"	2 1/2" x 1 1/2" x 3/16"	3" x 2" x 3/16"
3'-0" (914.4 mm)	2" x 1 1/2" x 3/16"	2" x 1 1/2" x 3/16"	2 1/2" x 1 1/2" x 3/16"	2 1/2" x 1 1/2" x 3/16"	2 1/2" x 1 1/2" x 3/16"	3" x 2" x 3/16"	3 1/2" x 2 1/2" x 3/16"
4'-0" (1219.2 mm)	2 1/2" x 1 1/2" x 3/16"	2 1/2" x 1 1/2" x 3/16"	2 1/2" x 1 1/2" x 3/16"	3" x 2" x 3/16"	3" x 2" x 3/16"	3" x 2" x 3/16"	3 1/2" x 2 1/2" x 3/16"
5'-0" (1524 mm)	2 1/2" x 1 1/2" x 3/16"	2 1/2" x 1 1/2" x 3/16"	3" x 2" x 3/16"	3" x 2" x 3/16"	3" x 2" x 3/16"	3 1/2" x 2 1/2" x 3/16"	4" x 3" x 3/16"
6'-0" (1828.8 mm)	2 1/2" x 1 1/2" x 3/16"	3" x 2" x 3/16"	3" x 2" x 3/16"	3" x 2" x 3/16"	3 1/2" x 2 1/2" x 3/16"	4" x 3" x 3/16"	4" x 3" x 3/16"
7'-0" (2133.6 mm)	3" x 2" x 3/16"	3" x 2" x 3/16"	3" x 2" x 3/16"	3" x 2" x 3/16"	3 1/2" x 2 1/2" x 3/16"	4" x 3" x 3/16"	4" x 3" x 3/16"
8'-0" (2438.4 mm)	3" x 2" x 3/16"	3" x 2" x 3/16"	3" x 2" x 3/16"	3 1/2" x 2 1/2" x 3/16"	3 1/2" x 2 1/2" x 3/16"	4" x 3" x 3/16"	4" x 3" x 3/16"
9'-0" (2743.2 mm)	3" x 2" x 3/16"	3" x 2" x 3/16"	3 1/2" x 2 1/2" x 3/16"	3 1/2" x 2 1/2" x 3/16"	3 1/2" x 2 1/2" x 3/16"	4" x 3" x 3/16"	4" x 3" x 3/16"
10'-0" (3048 mm)	3" x 2" x 3/16"	3" x 2" x 3/16"	3 1/2" x 2 1/2" x 3/16"	3 1/2" x 2 1/2" x 3/16"	4" x 3" x 3/16"	4" x 3" x 3/16"	4" x 3" x 3/16"



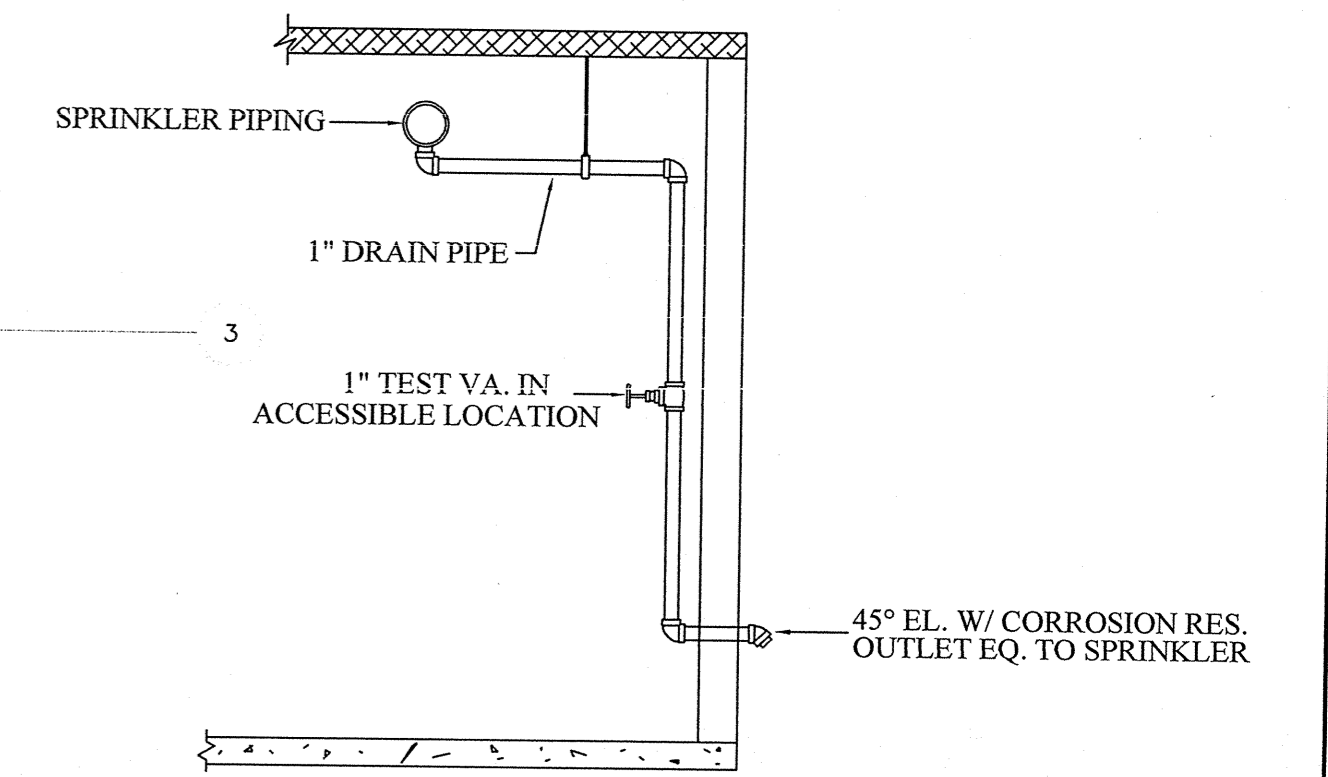
TRAPEZE HANGER DETAIL
N.T.S.



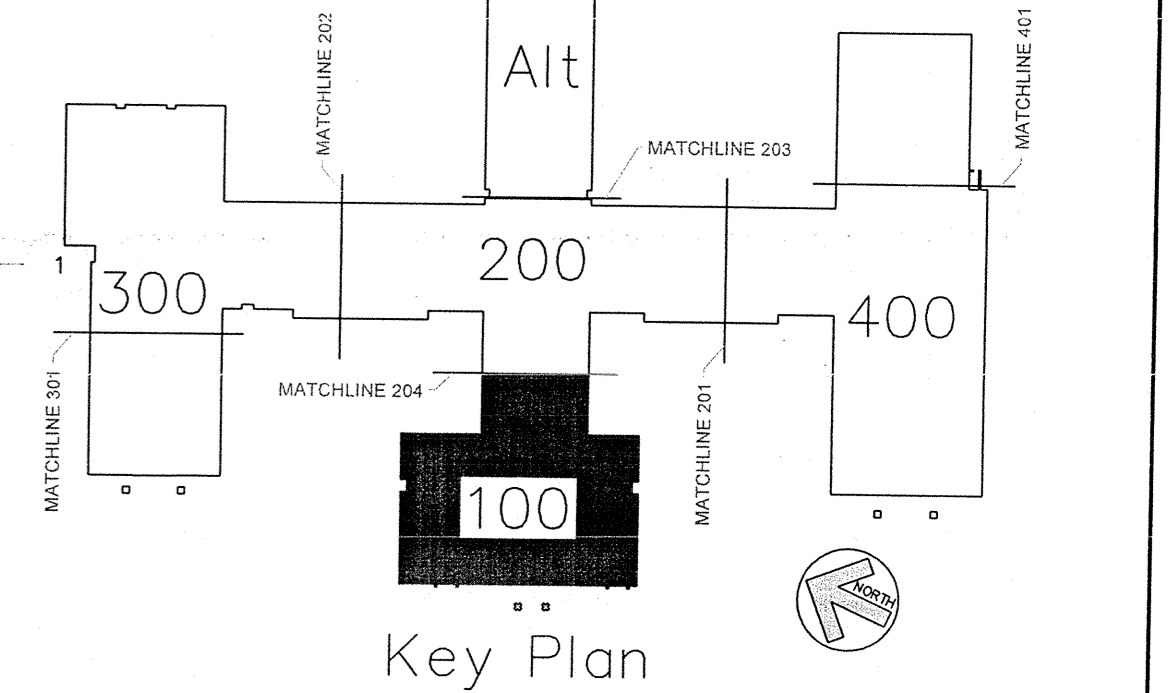
STRUCTURAL HANGER DETAIL
N.T.S.



CONCRETE HANGER DETAIL
N.T.S.



WET PIPE SYSTEM LOW POINT DRAIN
N.T.S.



ADMINISTRATION 100 WING FIRE PROTECTION PIPING LAYOUT PLAN
SCALE: 1/8" = 1'-0"

AS BUILT DRAWINGS
2-10-2014

PLAN NORTH
N.C. LICENSE NO. PFS-13628

APPROVING AGENCIES
 APPROVING AUTHORITY: BERTIE COUNTY FIRE MARSHALL
 UNDERWRITER: N.C. DEPT. OF INSURANCE
 GENERAL CONTRACTOR: WIMCO CONSTRUCTION
 ADDRESS: 2533 W. 5th STREET
 CITY & STATE: WASHINGTON, NC 27889-9078
 PHONE NO.: 252-946-5175
 FAX NO.: 252-946-4943

This fire sprinkler planning and design drawing has been prepared by Phoenix Fire Protection, Inc. as a licensed fire sprinkler contractor under Article 2 of Chapter 87 of the General Statutes for Phoenix Fire Protection, Inc.'s exclusive use pursuant to G.S. §89C-25(8), and Phoenix Fire Protection's must perform any and all installation work and other work performed in reliance on this drawing pursuant to G.S. §55B-15(a)(2). Installation work or any other work performed by any other person or entity in reliance on this drawing or any copy thereof is strictly prohibited. © 2010 Phoenix Fire Protection, Inc.

REVISIONS		SPRINKLER SUMMARY	
#	DATE	DESCRIPTION	BY
1	2/20/2013	ISSUE FOR SUBMITTAL	SHG
2	4/15/2013	PROVIDE COVERAGE UNDER CATWALK PER DCI COMMENTS	SHG

SYMBOL	TYPE	FINISH	TEMP	ORF	7C	NPT	MANUF.	SNR	ESCUTCHEON	QTY.
○	DR CONCEALED	BRASS	175°	1/2"	5.6	1/2"	GLOBE	GL9998	155" WHITE COVERPLATE	104
○	DR UPRIGHT	BRASS	175°	1/2"	5.6	1/2"	GLOBE	GL9913	N/A	338
○	DR UPRIGHT WITH HEAD GUARD	WHITE	175°	1/2"	5.6	1/2"	GLOBE	GL5661	N/A	67
○	DR UPRIGHT	BRASS	175°	1/2"	5.6	1/2"	GLOBE	GL5615	N/A	32
○	DR DRY CONCEALED	BRASS	175°	1/2"	5.6	1"	GLOBE	GL5697	155" WHITE COVERPLATE	4
○	DR DRY SIDEWALL	WHITE	175°	1/2"	5.6	1"	GLOBE	GL5641	WHITE RECESSED	1
○	DR UPRIGHT WITH HEAD GUARD	BRASS	175°	1/2"	5.6	1/2"	GLOBE	GL5615	N/A	1
○	DR HOR. SIDEWALL	WHITE	175°	1/2"	5.6	1/2"	GLOBE	GL5626	WHITE RECESSED	1

TOTAL SPRINKLERS THIS PROJECT: 1484
TOTAL SPRINKLERS THIS DRAWING: 1484

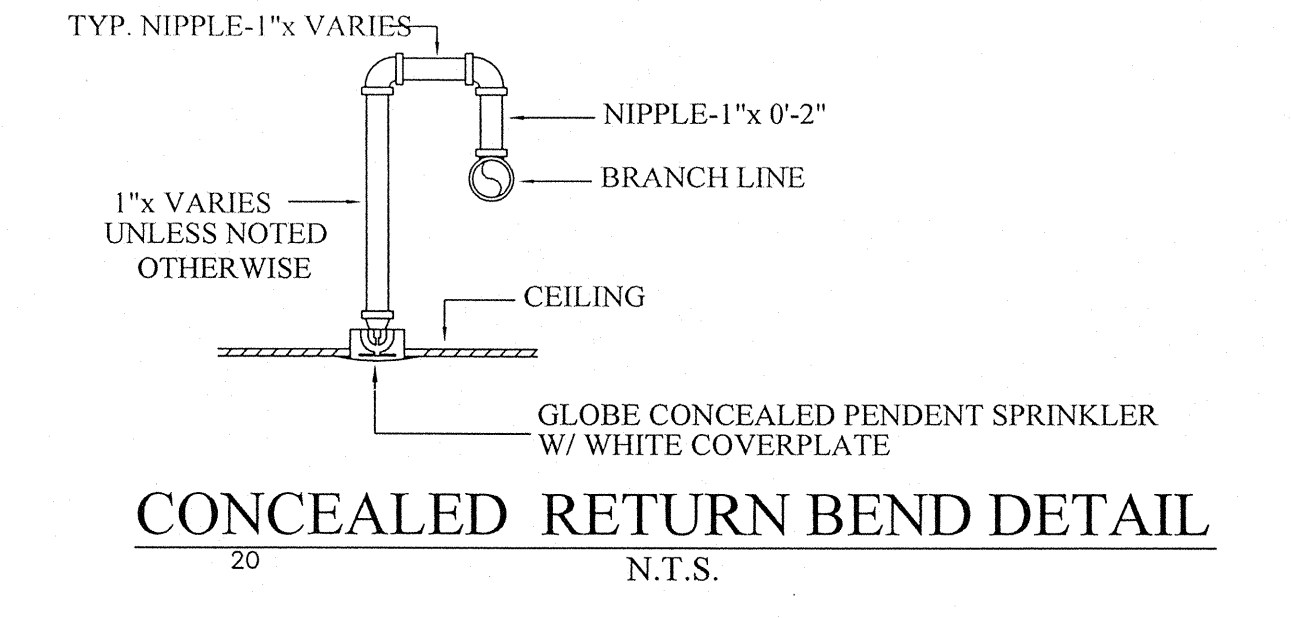
JOB #: C20-12
 DATE: 2-20-2013
 SCALE: AS NOTED
 DRAWN BY: J. SHG
 CHECKED BY: MRS. MELVIN RANDALL STROTHER
 N.C. LEVEL III CERT. NO. 115665
 PHOENIX FIRE PROTECTION, INC.
 P.O. BOX 2881
 2853 LEE AVENUE
 SANFORD, N.C. 27332
 PHONE: (919) 774-3942 FAX: (919) 774-1492
 FIRE PROTECTION
 NEW BERTIE HIGH SCHOOL
 716 US 13 NORTH
 WINDSOR, NORTH CAROLINA
 DATE: 2-18-14
 SHEET NO. FP-3 OF 22

Chris John

AU
20
AU
17.2
17
11
10
4
3
2
1

MATCH LINE 204

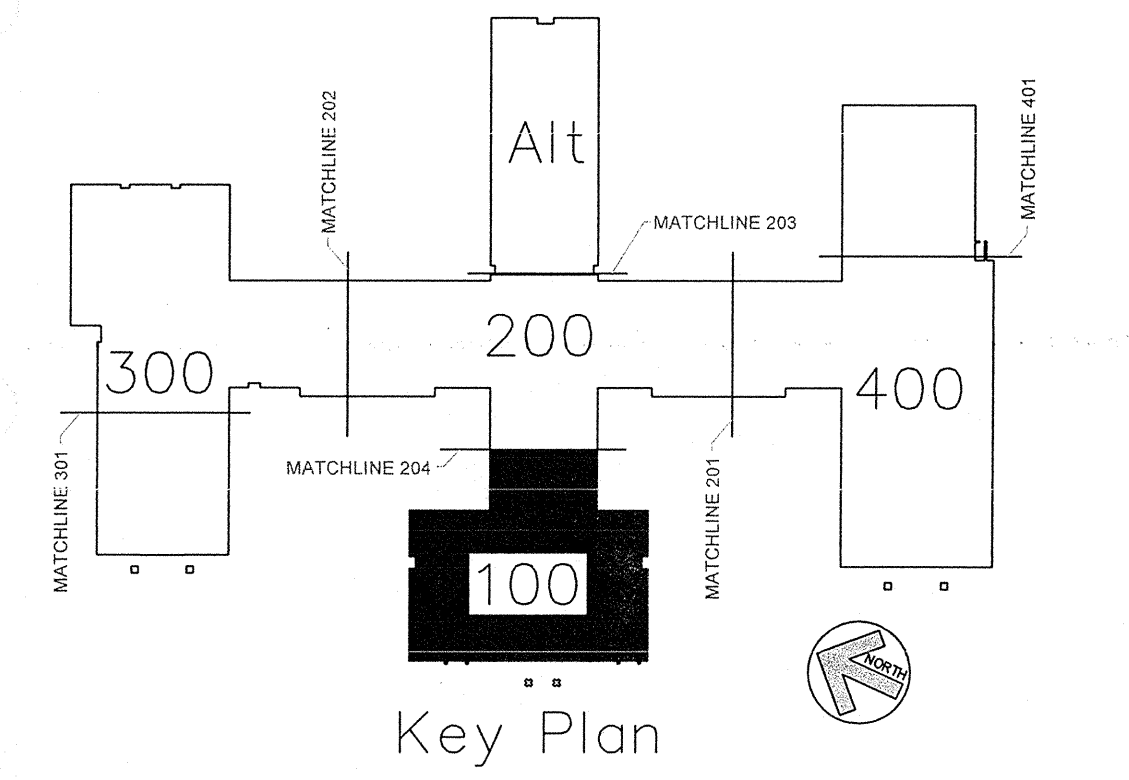
MATCH LINE 204



CONCEALED RETURN BEND DETAIL
20
N.T.S.

BU
BW
BY
BZ

17.2
17
12.2
11
10
7
4
3
2



Key Plan

ADMINISTRATION 100 WING FIRE PROTECTION HEAD LAYOUT PLAN
SCALE: 1/8" = 1'-0"

AS BUILT DRAWINGS
2-10-2014

PLAN NORTH

N.C. LICENSE NO. PFS-13628

APPROVING AGENCIES
 APPROVING AUTHORITY: BERTIE COUNTY FIRE MARSHALL
 UNDERWRITER: N.C. DEPT. OF INSURANCE
 GENERAL CONTRACTOR: WIMCO CONSTRUCTION
 ADDRESS: 2533 W. 5th STREET
 CITY & STATE: WASHINGTON, NC 27889-9078
 PHONE NO.: 252-946-5175
 FAX NO.: 252-946-4943

This fire sprinkler planning and design drawing has been prepared by Phoenix Fire Protection, Inc. as a licensed fire sprinkler contractor under Article 2 of Chapter 87 of the General Statutes for Phoenix Fire Protection, Inc.'s exclusive use pursuant to G.S. §89C-25(8), and Phoenix Fire Protection's must perform any and all installation work and other work performed in reliance on this drawing pursuant to G.S. §55B-15(a)(2). Installation work or any other work performed by any other person or entity in reliance on this drawing or any copy thereof is strictly prohibited. © 2010 Phoenix Fire Protection, Inc.

REVISIONS		SPRINKLER SUMMARY												
#	DATE	DESCRIPTION	SHG	SYM	TYPE	FINISH	TEMP	DRF	K	NPT	MANUF.	SNM	ESCU/TECH/EN	QTY.
1	2/20/2013	ISSUE FOR SUBMITTAL	SHG	○	DR CONCEALED	BRASS	175°	1/2"	5.8	1/2"	GLOBE	GL5609	155° WHITE COVERPLATE	1004
2	4/15/2013	PROVIDE COVERAGE UNDER CATWALK PER OOI COMMENTS	SHG	○	DR UPRIGHT	BRASS	175°	1/2"	5.8	1/2"	GLOBE	GL5615	N/A	311
3				○	DR PENDENT WITH HEAD GUARD	WHITE	175°	1/2"	5.8	1/2"	GLOBE	GL5601	N/A	97
4				○	DR UPRIGHT	BRASS	175°	1/2"	5.8	1/2"	GLOBE	GL5615	N/A	32
5				○	DR DRY CONCEALED	BRASS	175°	1/2"	5.8	1/2"	GLOBE	GL5637	155° WHITE COVERPLATE	4
6				○	DR DRY SIDEWALL WITH HEAD GUARD	WHITE	175°	1/2"	5.8	1/2"	GLOBE	GL5641	WHITE RECESSED	1
7				○	DR UPRIGHT WITH HEAD GUARD	BRASS	175°	1/2"	5.8	1/2"	GLOBE	GL5615	N/A	7
8				○	DR HOR. SIDEWALL	WHITE	175°	1/2"	5.8	1/2"	GLOBE	GL5626	WHITE RECESSED	1

TOTAL SPRINKLERS THIS PROJECT: 1484
 TOTAL SPRINKLERS THIS DRAWING: 1484

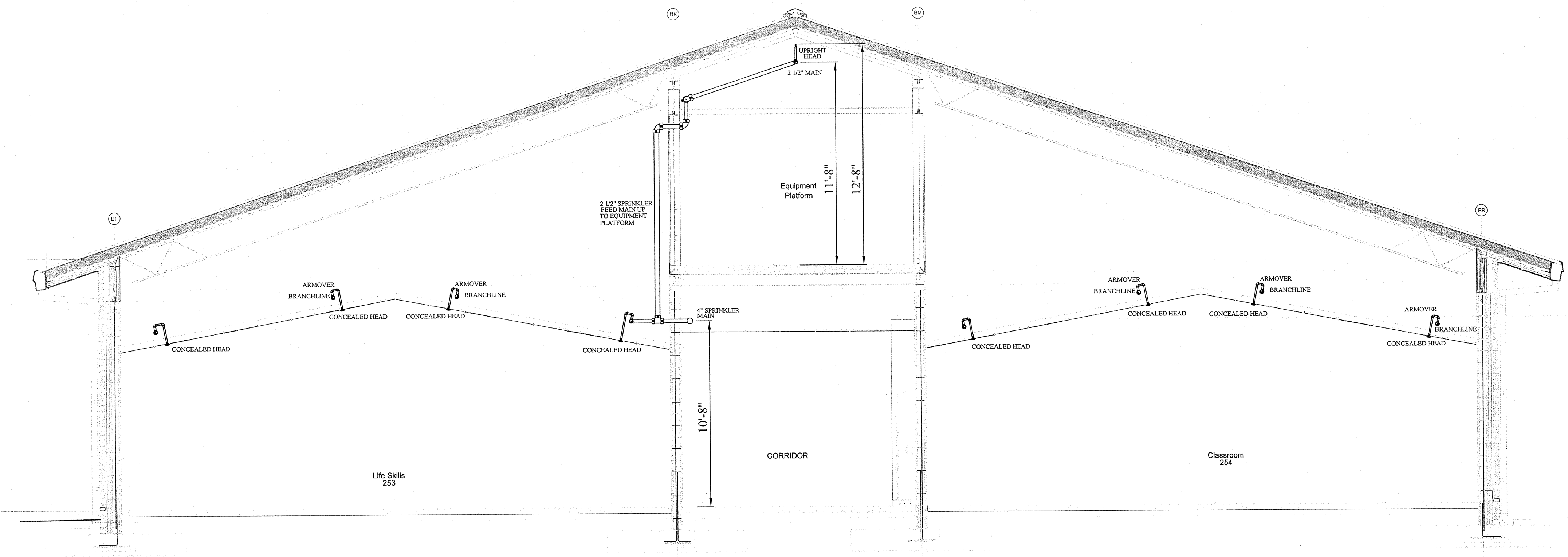
JOB # C20-12
 DATE: 2-20-2013
 SCALE: AS NOTED
 DRAWN BY: SHG
 CHK. BY: MRG

PHOENIX FIRE PROTECTION, INC.
 P.O. BOX 2881
 2863 LEE AVENUE
 SANFORD, N.C. 27332
 PHONE: (919) 774-3042 FAX: (919) 774-1492

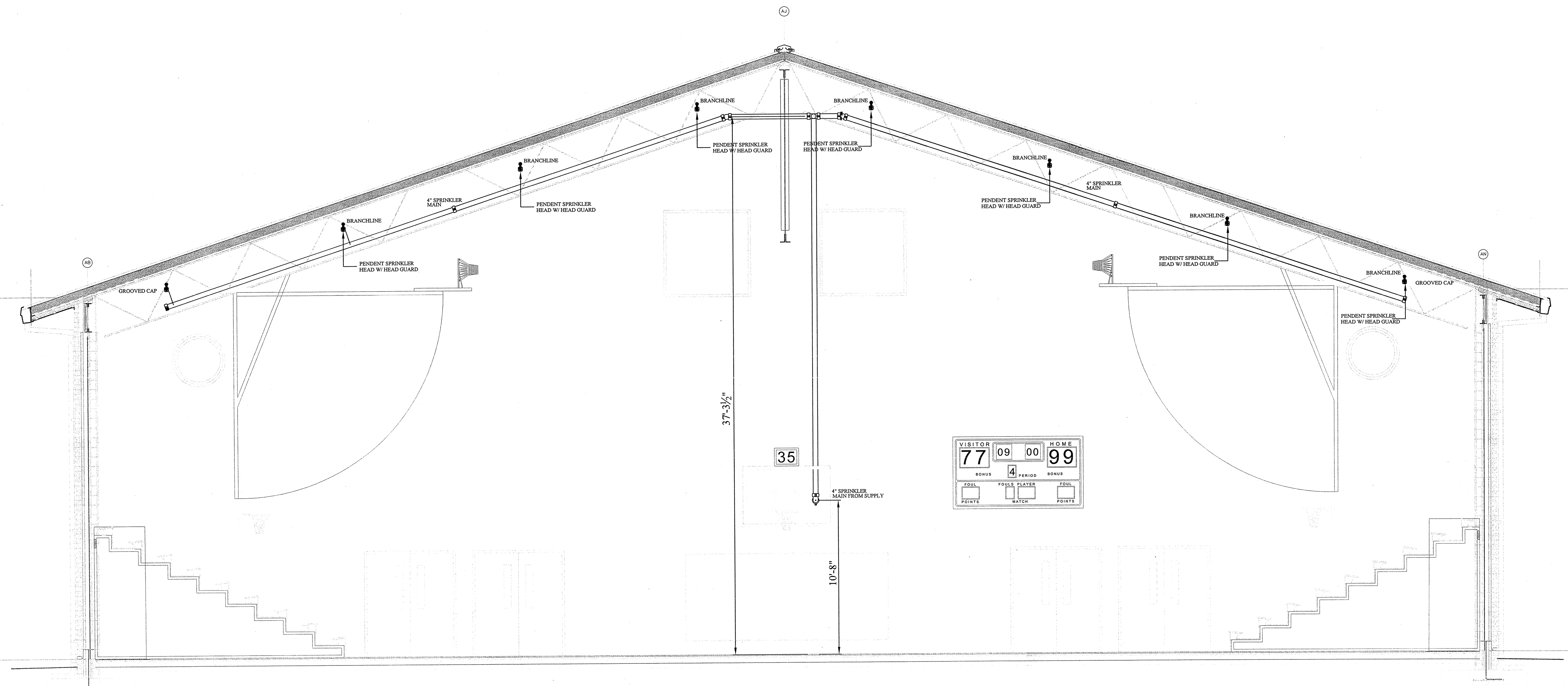
FIRE PROTECTION
NEW BERTIE HIGH SCHOOL
 716 US 13 NORTH
 WINDSOR, NORTH CAROLINA

DATE: 2-18-14
 SHEET NO. FP-2 OF 22

Chris Mann

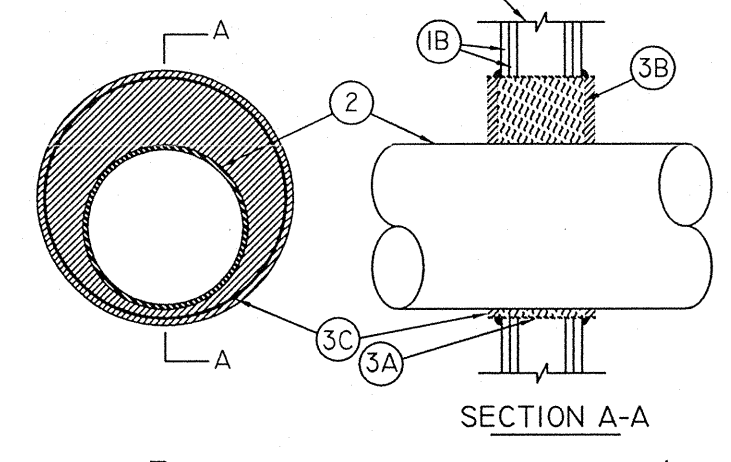


ALT. CLASSROOM SECTION A-A
SCALE: 1/4" = 1'-0"



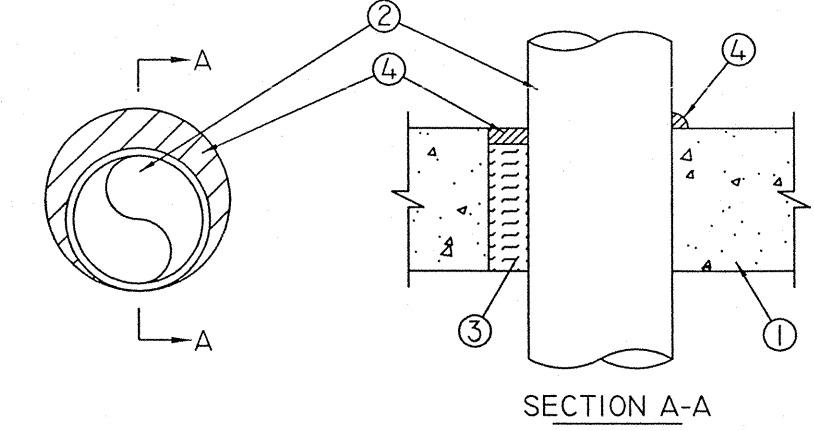
GYMNASIUM SECTION B-B
SCALE: 1/4" = 1'-0"

SYSTEM No. W-L-1056
F RATING - 2 HR
T RATING - 0 HR
L RATING AT AMBIENT - LESS THAN 1 CFM/SQ FT
L RATING AT 400 F - 4 CFM/SQ FT



- WALL ASSEMBLY - THE FIRE-RATED GYPSUM WALLBOARD/STUD WALL ASSEMBLY SHALL BE CONSTRUCTED OF THE MATERIALS AND IN THE MANNER SPECIFIED IN THE INDIVIDUAL U300 OR U600 SERIES WALL AND PARTITION DESIGNS IN THE UL FIRE RESISTANCE DIRECTORY AND SHALL INCLUDE THE FOLLOWING CONSTRUCTION FEATURES:
 - STUDS - WALL FRAMING MAY CONSIST OF EITHER WOOD STUDS OR STEEL CHANNEL STUDS. WOOD STUDS TO CONSIST OF NOM 2 BY 4 IN. LUMBER SPACED 16 IN. OC. STEEL STUDS TO BE MIN 2-1/2 IN. WIDE AND SPACED MAX 24 IN. OC.
 - WALLBOARD, GYPSUM* - TWO LAYERS OF NOM 5/8 IN. THICK GYPSUM WALLBOARD, AS SPECIFIED IN THE INDIVIDUAL WALL AND PARTITION DESIGN. MAX DIAM OF OPENING IS 18-3/4 IN.
- THROUGH PENETRANTS - ONE METALLIC PIPE OR TUBING TO BE INSTALLED EITHER CONCENTRICALLY OR ECCENTRICALLY WITHIN THE FIRESTOP SYSTEM. PIPE OR TUBING TO BE RIGIDLY SUPPORTED ON BOTH SIDES OF WALL ASSEMBLY. THE ANNULAR SPACE SHALL BE MIN 3/4 IN. TO MAX 4-1/2 IN. THE FOLLOWING TYPES AND SIZES OF METALLIC PIPES OR TUBING MAY BE USED:
 - STEEL PIPE - NOM 12 IN. DIAM (OR SMALLER) SCHEDULE 10 (OR HEAVIER) STEEL PIPE.
 - IRON PIPE - NOM 12 IN. DIAM (OR SMALLER) CAST OR DUCTILE IRON PIPE.
 - COPPER PIPE - NOM 4 IN. DIAM (OR SMALLER) REGULAR (OR HEAVIER) COPPER PIPE.
 - COPPER TUBING - NOM 4 IN. DIAM (OR SMALLER) TYPE L (OR HEAVIER) COPPER TUBING.
- FIRESTOP SYSTEM - THE FIRESTOP SYSTEM SHALL CONSIST OF THE FOLLOWING:
 - METALLIC SLEEVE - CYLINDRICAL SLEEVE FABRICATED FROM MIN 0.028 IN. THICK (24 GAUGE) GALV SHEET STEEL AND HAVING A MIN 1 IN. LAP ALONG THE LONGITUDINAL SEAM. LENGTH OF STEEL SLEEVE TO BE 1 IN. MORE THAN THE OVERALL THICKNESS OF THE WALL SUCH THAT, WHEN INSTALLED IN CIRCULAR OPENING, THE ENDS OF THE SLEEVES PROJECT 1/2 IN. FROM EACH SURFACE OF THE WALL. THE DIAM OF THE OPENINGS CUT IN THE GYPSUM WALLBOARD LAYERS ON EACH SIDE OF THE WALL ASSEMBLY TO BE 1-1/2 TO 6 IN. LARGER THAN OUTSIDE DIAM OF PIPE SUCH THAT, WHEN THE SLEEVE IS INSTALLED, A 3/4 TO 4-1/2 IN. ANNULAR SPACE WILL BE PRESENT BETWEEN THE STEEL SLEEVE AND THE PIPE AROUND THE ENTIRE CIRCUMFERENCE OF THE PIPE. SLEEVE INSTALLED BY COILING THE SHEET STEEL TO A DIAM SMALLER THAN THE THROUGH OPENING, INSERTING THE COIL THROUGH THE OPENINGS AND RELEASING THE COIL TO LET IT UNCOIL AGAINST THE CIRCULAR CUTOUTS IN THE GYPSUM WALLBOARD LAYERS.
 - PACKING MATERIAL - MIN 4 IN. THICKNESS OF MIN 4.0 PCF MINERAL WOOL BATT INSULATION FIRMLY PACKED INTO OPENING AS A PERMANENT FORM. PACKING MATERIAL TO BE RECESSED FROM BOTH SURFACES OF WALL AS REQUIRED TO ACCOMMODATE THE REQUIRED THICKNESS OF FILL MATERIAL.
 - FILL, VOID OR CAVITY MATERIAL* - SEALANT - MIN 3/4 IN. THICKNESS OF TIGHTLY PACKED FILL MATERIAL APPLIED WITHIN THE ANNULUS, FLUSH WITH THE ENDS OF THE STEEL SLEEVE. ADDITIONAL FILL MATERIAL TO BE INSTALLED TO THE OUTER PERIMETER OF THE STEEL SLEEVE AT ITS EGRESS FROM THE OPENING.

SYSTEM No. C-AJ-1149
F RATING -- 2 HR
T RATING -- 0 HR
L RATING AT AMBIENT -- LESS THAN 1 CFM/SQ FT
L RATING AT 400 F -- 4 CFM/SQ FT
W RATING -- CLASS I (SEE ITEM 4)

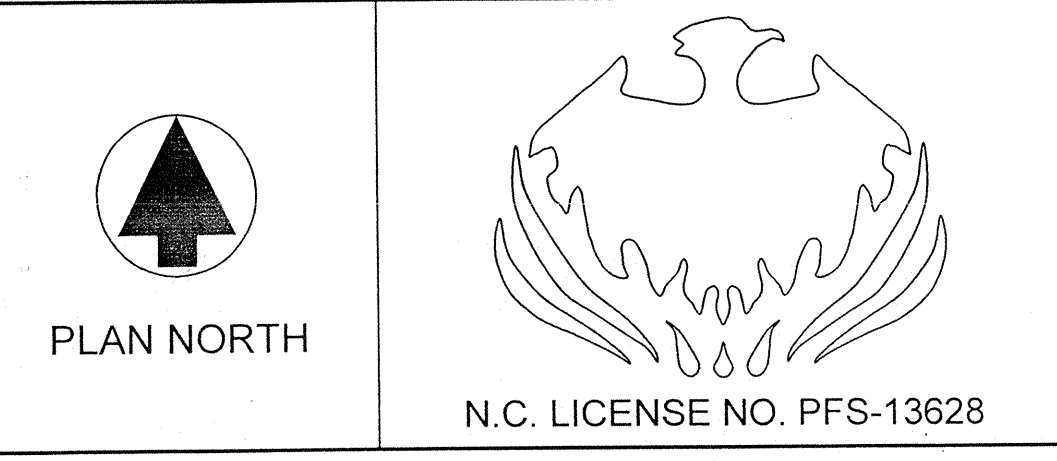


- FLOOR OR WALL ASSEMBLY - MIN 4-1/2 IN. THICK REINFORCED LIGHTWEIGHT OR NORMAL WEIGHT (100-150 PCF) CONCRETE. WALL MAY ALSO BE CONSTRUCTED OF ANY UL CLASSIFIED CONCRETE BLOCKS *. MAX DIAM OF OPENING IS 12 IN. SEE CONCRETE BLOCKS (CAZZ) CATEGORY IN THE FIRE RESISTANCE DIRECTORY FOR NAMES OF MANUFACTURERS.
- THROUGH PENETRANTS - ONE METALLIC PIPE, CONDUIT OR TUBING TO BE INSTALLED WITHIN THE FIRESTOP SYSTEM. PIPE, CONDUIT OR TUBING TO BE RIGIDLY SUPPORTED ON BOTH SIDES OF FLOOR OR WALL ASSEMBLY. THE ANNULAR SPACE SHALL BE 0 IN. (POINT CONTACT) TO MAX 1-1/4 IN. THE FOLLOWING TYPES AND SIZES OF METALLIC PIPES, CONDUITS OR TUBING MAY BE USED:
 - STEEL PIPE - NOM 10 IN. DIAM (OR SMALLER) SCHEDULE 10 (OR HEAVIER) STEEL PIPE.
 - IRON PIPE - NOM 10 IN. DIAM (OR SMALLER) CAST OR DUCTILE IRON PIPE.
 - CONDUIT - NOM 4 IN. DIAM (OR SMALLER) STEEL ELECTRICAL METALLIC TUBING OR STEEL CONDUIT.
 - COPPER TUBING - NOM 4 IN. DIAM (OR SMALLER) TYPE L (OR HEAVIER) COPPER TUBING.
 - COPPER PIPE - NOM 4 IN. DIAM (OR SMALLER) REGULAR (OR HEAVIER) COPPER PIPE.
- PACKING MATERIAL - MIN 3 IN. THICKNESS OF MIN 4 PCF MINERAL WOOL BATT INSULATION FOR NOM 4 IN. DIAM (AND SMALLER) PIPES, CONDUITS OR TUBINGS AND A MIN 4 IN. THICKNESS OF MIN 4 PCF MINERAL WOOL BATT INSULATION FOR PIPE GREATER THAN NOM 4 IN. DIAM, FIRMLY PACKED INTO OPENING AS A PERMANENT FORM. PACKING MATERIAL TO BE RECESSED FROM TOP SURFACE OF FLOOR OR FROM BOTH SURFACES OF WALL AS REQUIRED TO ACCOMMODATE THE REQUIRED THICKNESS OF FILL MATERIAL.
- FILL, VOID OR CAVITY MATERIAL* - SEALANT - MIN 1/2 IN. THICKNESS OF FILL MATERIAL APPLIED WITHIN THE ANNULUS, FLUSH WITH THE TOP SURFACE OF FLOOR OR BOTH SURFACES OF WALL. AT THE POINT OF CONTACT LOCATION BETWEEN PIPE AND CONCRETE, A MIN 1/2 IN. DIAM BEAD OF FILL MATERIAL SHALL BE APPLIED AT THE CONCRETE/PIPE INTERFACE ON THE TOP SURFACE OF FLOOR AND ON BOTH SURFACES OF WALL. W RATING APPLIES ONLY WHEN CP601S OR CP604 SEALANT IS USED.

SLEEVES ARE NOT REQUIRED WHERE HOLES ARE CORE DRILLED

GENERAL NOTES:

- THIS WET FIRE SPRINKLER SYSTEM IS DESIGNED AND HYDRAULICALLY CALCULATED AS LIGHT HAZARD SYSTEM IN CLASSROOM AREAS WITH A DESIGN DENSITY OF .10 gpm/1500 sq. ft. IN ACCORDANCE WITH NFPA 13, 2010 ed. DESIGN AREA REDUCTION IN ACCORDANCE WITH NFPA 13, 11.2.3.2.3. THIS WET FIRE SPRINKLER SYSTEM IS DESIGNED AND HYDRAULICALLY CALCULATED AS ORDINARY HAZARD IN KITCHEN, SERVICE AREAS, AND STORAGE AREAS WITH A DESIGN DENSITY OF .15 gpm/1500 sq. ft., IN ACCORDANCE WITH NFPA 13, 2010 ed. DESIGN AREA REDUCTION IN ACCORDANCE WITH NFPA 13, 11.2.3.2.3.
- THIS WET FIRE SPRINKLER SYSTEM IS DESIGNED AND HYDRAULICALLY CALCULATED AS ORDINARY HAZARD CP 2 IN STAGE AREA WITH A DESIGN DENSITY OF .20 gpm/1500 sq. ft. IN ACCORDANCE WITH NFPA 13, 2010 ed.
- HYDRAULIC CALCULATIONS SHALL INCLUDE A 20 F.P.S. OR LESS VELOCITY REQUIREMENT THROUGH ALL PIPING PER THE SPECIFICATIONS.
- A REDUCED PRESSURE BACKFLOW DEVICE WILL BE INSTALLED IN THE FIRE SERVICE MAIN AND LOCATED OUTSIDE THE BUILDING. (BY OTHERS)
- FIRE SPRINKLER PIPING SHALL BE DOMESTIC AND IS AS FOLLOWS:
 - 2 1/2" PIPE AND LARGER SHALL BE SCHEDULE 10 BLACK STEEL, WITH ROLLED GROOVED ENDS, AND JOINED WITH GROOVED FITTINGS.
 - 2" PIPE AND SMALLER SHALL BE SCHEDULE 40 BLACK STEEL, WITH THREADED ENDS AND JOINED BY THREADED FITTINGS.
 - ALL GRID PIPING SHALL BE SCHEDULE 10 BLACK STEEL, WITH ROLLED GROOVED ENDS, AND JOINED BY GROOVED FITTINGS.
- STRUCTURE IS OPEN WEB STEEL BAR JOISTS, STEEL BEAMS, AND POURED CONCRETE SLABS.
- ALL HANGERS TO BE UL LISTED FOR FIRE PROTECTION SERVICES. HANGERS SHALL BE INSTALLED IN ACCORDANCE WITH THEIR LISTING. SPACING AND LOCATION TO COMPLY WITH NFPA 13-9.2.
- ALL EQUIPMENT TO BE UL LISTED OR FM APPROVED FOR FIRE PROTECTION SERVICES AND INSTALLED IN ACCORDANCE WITH THEIR LISTING.
- ALL CONTROL VALVES TO BE COMPLETE WITH TAMPER SWITCHES. ALL ELECTRICAL WORK TO BE DONE BY OTHERS. ALL WATER FLOW SWITCHES INSTALLED BY THE SPRINKLER CONTRACTOR, ALL ELECTRICAL WORK TO BE DONE BY OTHERS.
- THE FIRE SPRINKLER SYSTEM SHALL BE HYDROSTATICALLY TESTED @ 200psi FOR A TWO HOUR MINIMUM OR 50psi ABOVE CITY WATER PRESSURE, WHICHEVER IS GREATER IN ACCORDANCE WITH NFPA 13 & LOCAL AUTHORITIES.
- FOR THE WET-TYPE SPRINKLER SYSTEM PIPING, IT IS THE OWNERS' RESPONSIBILITY TO PROVIDE ADEQUATE HEAT. (AMBIENT TEMPERATURE OF 40°F MINIMUM).
- A SPRINKLER HEAD CABINET WITH SPARE HEADS SHALL BE PROVIDED AT EACH SYSTEM RISER IN ACCORDANCE WITH NFPA 13-2.3.
- ALL DRAINAGE LOCATIONS TO COMPLY WITH NFPA 13 AND OWNER'S APPROVAL.
- ALL CEILING ARE DROP-IN TILE OR GYPSUM WALL BOARD. CEILING HEIGHTS ARE AS NOTED ON THE DRAWINGS. (X-X') DENOTES CENTERLINE OF PIPE AFF.
- UNDERGROUND PIPING IS TO BE HYDROSTATICALLY TESTED IN ACCORDANCE WITH NFPA 24. (BY OTHERS)
- UNDERGROUND PIPE TO BE FLUSHED BEFORE CONNECTING TO OVERHEAD FIRE SPRINKLER PIPING. (BY OTHERS)
- ALL REFERENCES TO NFPA 13 ARE FROM THE 2010 EDITION.
- THE FIRE PROTECTION SYSTEMS SHALL BE COORDINATED WITH OTHER TRADES BEFORE INSTALLATION OF THE SYSTEM.
- ALL SPRINKLER PIPING LOCATIONS AND HEIGHTS SHALL BE FIELD CHECKED DURING COORDINATION AND BEFORE FINAL INSTALLATION OF FIRE PROTECTION SYSTEMS.
- ALL CHANGES MADE TO INSTALLATION DRAWINGS SHALL BE RECORDED, AND SHOW ON 'AS BUILT RECORD DRAWINGS'.



APPROVING AGENCIES
APPROVING AUTHORITY: BERTIE COUNTY FIRE MARSHALL
UNDERWRITER: N.C. DEPT. OF INSURANCE
GENERAL CONTRACTOR: WIMCO CONSTRUCTION
ADDRESS: 2633 W. 5th STREET
CITY & STATE: WASHINGTON, NC 27889-9078
PHONE NO.: 252-946-6175
FAX NO.: 252-946-4943

This fire sprinkler planning and design drawing has been prepared by Phoenix Fire Protection, Inc. as a licensed fire sprinkler contractor under Article 2 of Chapter 87 of the General Statutes for Phoenix Fire Protection, Inc.'s exclusive use pursuant to G.S. §89C-25(8), and Phoenix Fire Protection must perform any and all installation work and other work performed in reliance on this drawing pursuant to G.S. §55B-15(a)(2). Installation work or any other work performed by any other person or entity in reliance on this drawing or any copy thereof is strictly prohibited. © 2010 Phoenix Fire Protection, Inc.

REVISIONS		SPRINKLER SUMMARY	
#	DATE	DESCRIPTION	SYMBOL
1	2/20/2013	ISSUE FOR SUBMITTAL	SHG
2	4/15/2013	PROVIDE COVERAGE UNDER CATAWK PER DOI COMMENTS	SHG

SYMBOL	TYPE	FINISH	TEMP	DRIF	"K"	NPT	MANUF	SNW	ESCUITCHEON	QTY
⊗	OR CONCEALED	BRASS	1757	1/2"	5.6	1/2"	GLOBE	GL5606	150° WHITE COVERPLATE	1004
⊙	OR UPRIGHT	BRASS	1757	1/2"	5.6	1/2"	GLOBE	GL5615	N/A	118
⊕	OR PENDENT WITH HEAD GUARD	WHITE	1757	1/2"	5.6	1/2"	GLOBE	GL5601	N/A	97
⊖	OR UPRIGHT	BRASS	1757	1/2"	5.6	1/2"	GLOBE	GL5615	N/A	32
⊗	OR DRY CONCEALED	BRASS	1757	1/2"	5.6	1"	GLOBE	GL5637	150° WHITE COVERPLATE	4
⊙	OR DRY BIRDMALL	WHITE	1757	1/2"	5.6	1"	GLOBE	GL5644	WHITE RECESSED	1
⊕	OR UPRIGHT	BRASS	1757	1/2"	5.6	1/2"	GLOBE	GL5615	N/A	7
⊖	OR PENDENT WITH HEAD GUARD	WHITE	1757	1/2"	5.6	1/2"	GLOBE	GL5606	WHITE RECESSED	1
⊗	OR HOR. SIDEWALL	WHITE	1757	1/2"	5.6	1/2"	GLOBE	GL5606	WHITE RECESSED	1

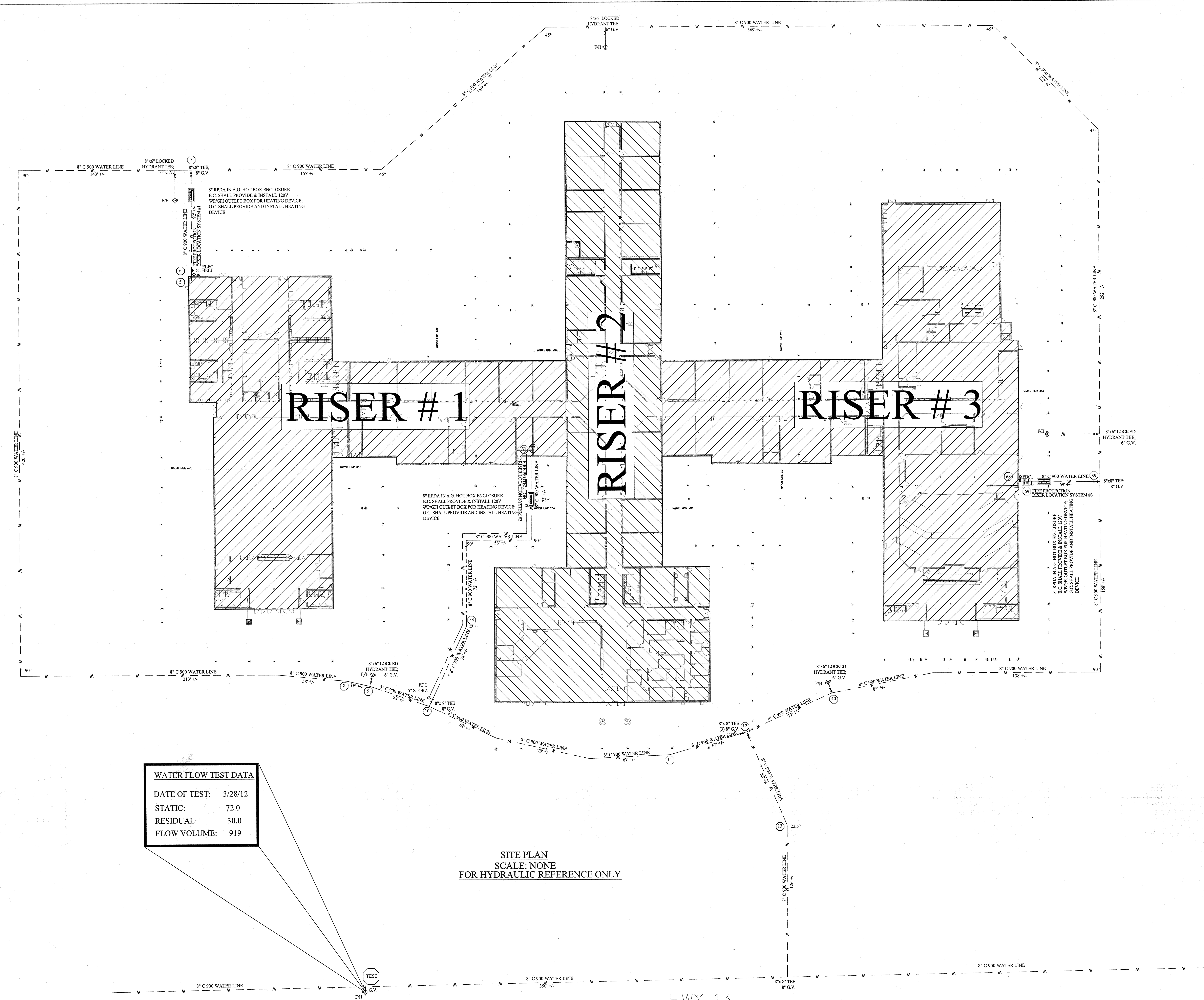
TOTAL SPRINKLERS THIS PROJECT 1484
TOTAL SPRINKLERS THIS DRAWING 1484

DATE	DESCRIPTION	SYMBOL
2/20/2013	ISSUE FOR SUBMITTAL	SHG
4/15/2013	PROVIDE COVERAGE UNDER CATAWK PER DOI COMMENTS	SHG

DATE	DESCRIPTION	SYMBOL
2/20/2013	ISSUE FOR SUBMITTAL	SHG
4/15/2013	PROVIDE COVERAGE UNDER CATAWK PER DOI COMMENTS	SHG

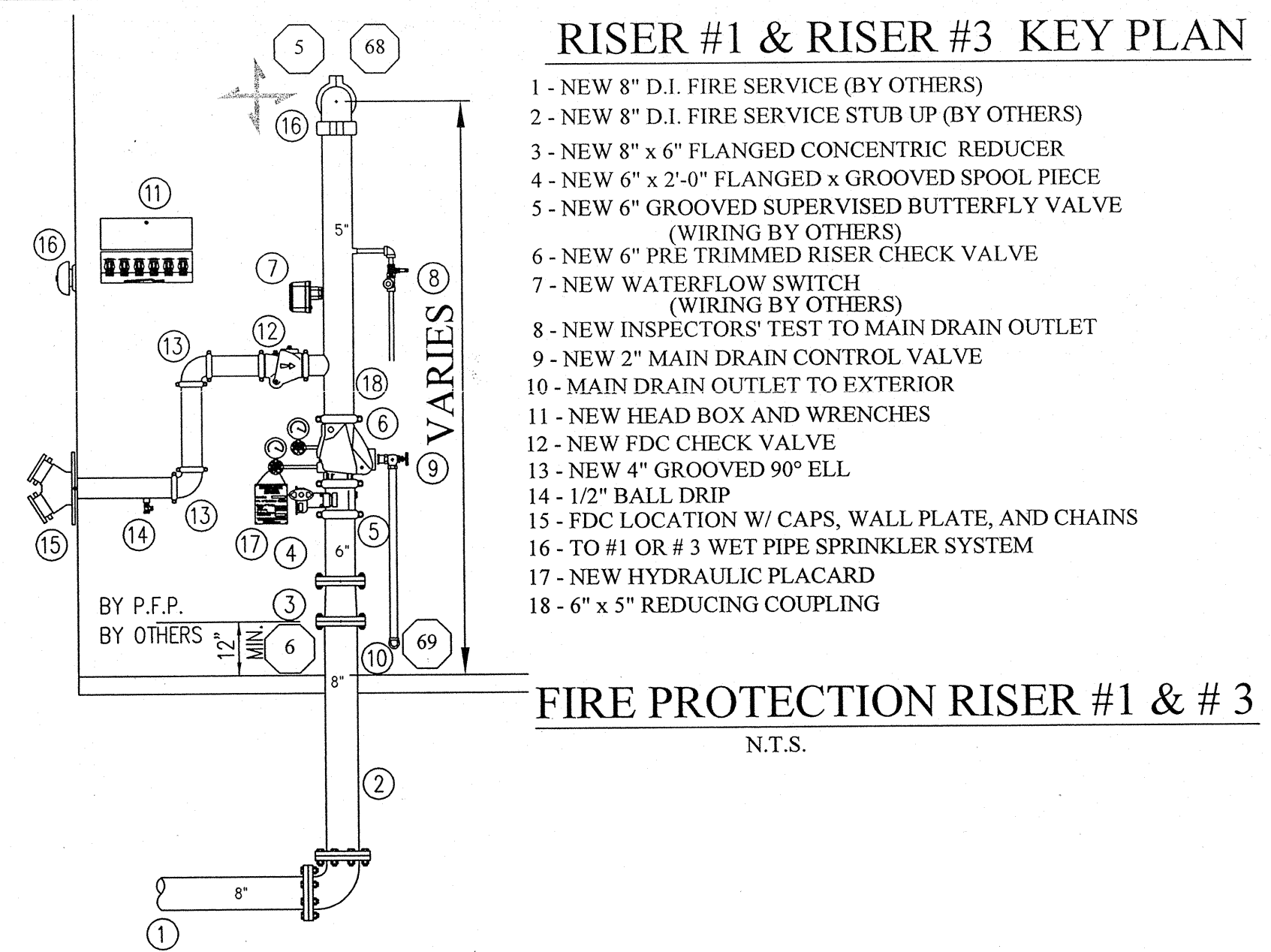
PHOENIX FIRE PROTECTION, INC.
P.O. BOX 2881
2633 LEE AVENUE
SANFORD, N.C. 27332
PHONE: (919) 774-3042 FAX: (919) 774-1492

DATE: 2-20-2013
SCALE: AS NOTED
DRAWN BY: SHG
CHECKED BY: MRS
DATE: 2-18-14
SHEET NO. FP-1A OF 22



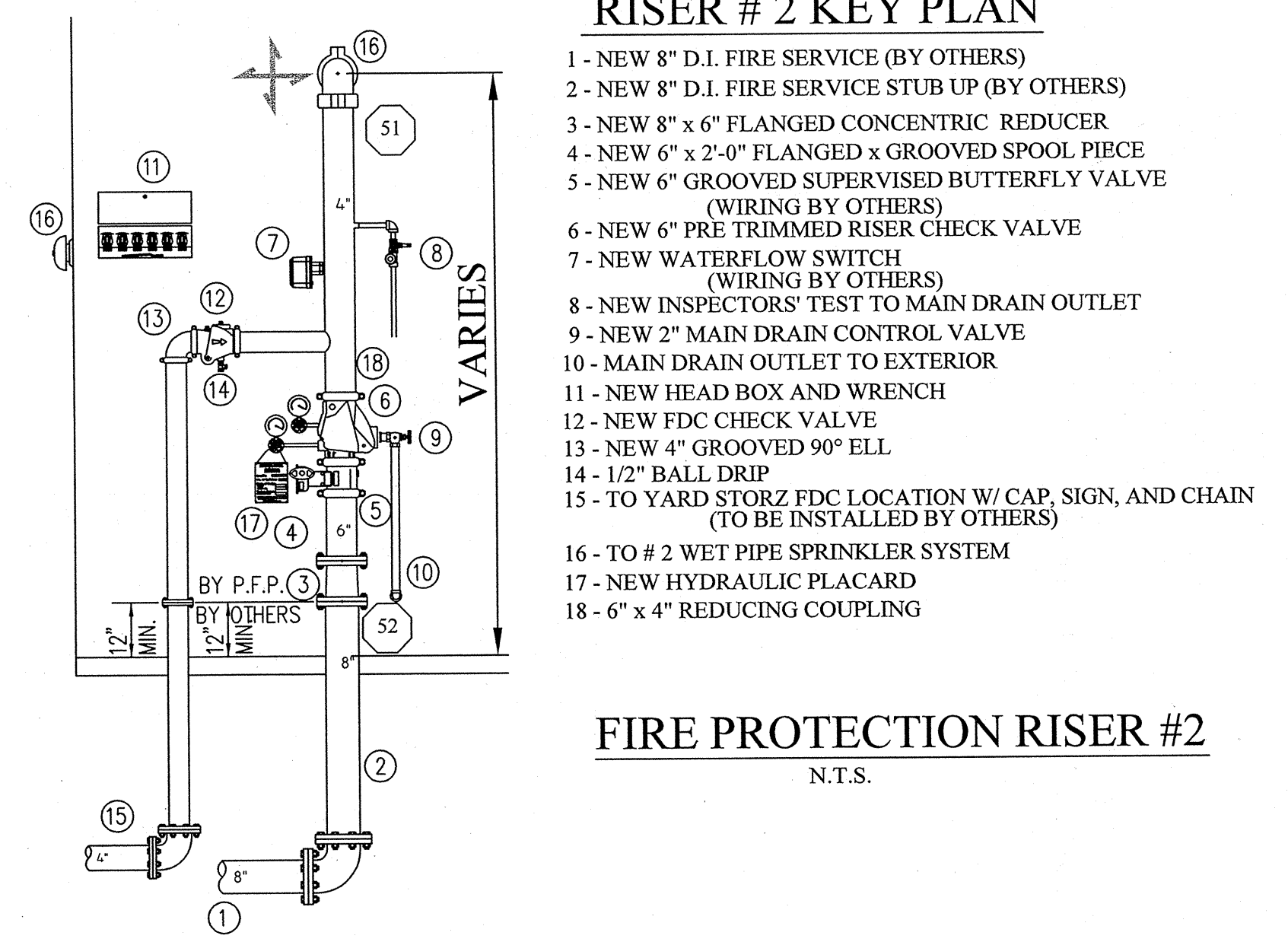
WATER FLOW TEST DATA	
DATE OF TEST:	3/28/12
STATIC:	72.0
RESIDUAL:	30.0
FLOW VOLUME:	919

SITE PLAN
SCALE: NONE
FOR HYDRAULIC REFERENCE ONLY



- ### RISER #1 & RISER #3 KEY PLAN
- 1 - NEW 8" D.I. FIRE SERVICE (BY OTHERS)
 - 2 - NEW 8" D.I. FIRE SERVICE STUB UP (BY OTHERS)
 - 3 - NEW 8" x 6" FLANGED CONCENTRIC REDUCER
 - 4 - NEW 6" x 2"-0" FLANGED x GROOVED SPOOL PIECE
 - 5 - NEW 6" GROOVED SUPERVISED BUTTERFLY VALVE (WIRING BY OTHERS)
 - 6 - NEW 6" PRE TRIMMED RISER CHECK VALVE (WIRING BY OTHERS)
 - 7 - NEW WATERFLOW SWITCH (WIRING BY OTHERS)
 - 8 - NEW INSPECTOR'S TEST TO MAIN DRAIN OUTLET
 - 9 - NEW 2" MAIN DRAIN CONTROL VALVE
 - 10 - MAIN DRAIN OUTLET TO EXTERIOR
 - 11 - NEW HEAD BOX AND WRENCHES
 - 12 - NEW FDC CHECK VALVE
 - 13 - NEW 4" GROOVED 90° ELL
 - 14 - 1/2" BALL DRIP
 - 15 - FDC LOCATION W/ CAPS, WALL PLATE, AND CHAINS
 - 16 - TO #1 OR #3 WET PIPE SPRINKLER SYSTEM
 - 17 - NEW HYDRAULIC PLACARD
 - 18 - 6" x 5" REDUCING COUPLING

FIRE PROTECTION RISER #1 & #3
N.T.S.



- ### RISER #2 KEY PLAN
- 1 - NEW 8" D.I. FIRE SERVICE (BY OTHERS)
 - 2 - NEW 8" D.I. FIRE SERVICE STUB UP (BY OTHERS)
 - 3 - NEW 8" x 6" FLANGED CONCENTRIC REDUCER
 - 4 - NEW 6" x 2"-0" FLANGED x GROOVED SPOOL PIECE
 - 5 - NEW 6" GROOVED SUPERVISED BUTTERFLY VALVE (WIRING BY OTHERS)
 - 6 - NEW 6" PRE TRIMMED RISER CHECK VALVE (WIRING BY OTHERS)
 - 7 - NEW WATERFLOW SWITCH (WIRING BY OTHERS)
 - 8 - NEW INSPECTOR'S TEST TO MAIN DRAIN OUTLET
 - 9 - NEW 2" MAIN DRAIN CONTROL VALVE
 - 10 - MAIN DRAIN OUTLET TO EXTERIOR
 - 11 - NEW HEAD BOX AND WRENCH
 - 12 - NEW FDC CHECK VALVE
 - 13 - NEW 4" GROOVED 90° ELL
 - 14 - 1/2" BALL DRIP
 - 15 - TO YARD STORZ FDC LOCATION W/ CAP, SIGN, AND CHAIN (TO BE INSTALLED BY OTHERS)
 - 16 - TO #2 WET PIPE SPRINKLER SYSTEM
 - 17 - NEW HYDRAULIC PLACARD
 - 18 - 6" x 4" REDUCING COUPLING

FIRE PROTECTION RISER #2
N.T.S.

- ### FIRE PROTECTION LEGEND
- SPRINKLER PIPING MAIN
 - SPRINKLER PIPING BRANCHLINE
 - CONCEALED PENDENT SPRINKLER HEAD
 - PENDENT SPRINKLER HEAD W/ HEAD GUARD
 - UPRIGHT SPRINKLER HEAD ON 1" SPRIG-UP
 - UPRIGHT SPRINKLER HEAD
 - CONCEALED DRY PENDENT SPRINKLER HEAD
 - DRY HORIZONTAL SIDEWALL SPRINKLER HEAD
 - FIRE PROTECTION RISER LOCATION
 - SPRINKLER PIPING UP/ DOWN
 - SPRINKLER PIPING CAP
 - STAGE HOSE STATION
 - HYDRAULIC REFERENCE NODE
 - FOUR-WAY BRACE
 - ROOM CEILING HEIGHT

FIRE PROTECTION SHEET INDEX:	
FP-1	HYDRAULIC SITE PLAN, GENERAL NOTES & DETAILS
FP-1A	GENERAL NOTES, SECTION VIEWS, DETAILS
FP-2	ADMINISTRATION 100 WING SPRINKLER HEAD LAYOUT PLAN
FP-3	ADMINISTRATION 100 WING SPRINKLER PIPING LAYOUT PLAN
FP-4	CLASSROOM 200 WING SPRINKLER HEAD LAYOUT PLAN
FP-5	CLASSROOM 200 WING SPRINKLER PIPING LAYOUT PLAN
FP-6	ALTERNATE CLASSROOM WING SPRINKLER HEAD LAYOUT PLAN
FP-7	ALTERNATE CLASSROOM WING SPRINKLER PIPING LAYOUT PLAN
FP-8	GYM 300 WING SPRINKLER HEAD LAYOUT PLAN
FP-9	GYM 300 WING SPRINKLER PIPING LAYOUT PLAN
FP-10	GYM WING SPRINKLER PIPING LAYOUT PLAN
FP-11	GYM WING SPRINKLER HEAD LAYOUT PLAN
FP-12	THEATER 400 WING SPRINKLER HEAD LAYOUT PLAN
FP-13	THEATER 400 WING SPRINKLER PIPING LAYOUT PLAN
FP-14	KITCHEN & CAFETERIA SPRINKLER HEAD LAYOUT PLAN
FP-15	KITCHEN & CAFETERIA SPRINKLER PIPING LAYOUT PLAN
FP-16	ADMINISTRATION EQUIPMENT PLATFORM SPRINKLER LAYOUT PLAN
FP-17	CLASSROOM EQUIPMENT PLATFORM SPRINKLER LAYOUT PLAN
FP-18	ALT. CLASSROOM EQUIPMENT PLATFORM SPRINKLER LAYOUT PLAN
FP-19	GYM EQUIPMENT PLATFORM SPRINKLER LAYOUT PLAN
FP-20	THEATER EQUIPMENT PLATFORM SPRINKLER LAYOUT PLAN
FP-21	KITCHEN & CAFETERIA EQUIPMENT PLATFORM LAYOUT PLAN

AS BUILT DRAWINGS
2-10-2014

PLAN NORTH

N.C. LICENSE NO. PFS-13628

APPROVING AGENCIES	
APPROVING AUTHORITY:	BERTIE COUNTY FIRE MARSHALL
UNDERWRITER:	N.C. DEPT. OF INSURANCE
GENERAL CONTRACTOR:	WIMCO CONSTRUCTION
ADDRESS:	2533 W. 5th. STREET
CITY & STATE:	WASHINGTON, NC 27889-9078
PHONE NO.:	252-946-5175
FAX NO.:	252-946-4943

This fire sprinkler planning and design drawing has been prepared by Phoenix Fire Protection, Inc. as a licensed fire sprinkler contractor under Article 2 of Chapter 87 of the General Statutes for Phoenix Fire Protection, Inc.'s exclusive use pursuant to G.S. §89C-25(8), and Phoenix Fire Protection's must perform any and all installation work and other work performed in reliance on this drawing pursuant to G.S. §55B-15(a)(2). Installation work or any other work performed by any other person or entity in reliance on this drawing or any copy thereof is strictly prohibited. © 2010 Phoenix Fire Protection, Inc.

REVISIONS			
#	DATE	DESCRIPTION	BY
1	2/20/2013	ISSUE FOR SUBMITTAL	SHG
2	4/15/2013	PROVIDE COVERAGE UNDER CATWALK PER DOI COMMENTS	SHG

SPRINKLER SUMMARY										
SYM	TYPE	FINISH	TEMP	ORF	°C	NPT	MANUF.	SNW	ESCUTCHEON	QTY.
OR CONCEALED	BRASS	1 1/2"	127	5.8	1 1/2"	GLOBE	GL5694	155° WHITE COVERPLATE	1024	1024
OR UPRIGHT	BRASS	1 1/2"	127	5.8	1 1/2"	GLOBE	GL5615	N/A	318	318
OR UPRIGHT	BRASS	1 1/2"	127	5.8	1 1/2"	GLOBE	GL5615	N/A	97	97
OR UPRIGHT	BRASS	1 1/2"	127	5.8	1 1/2"	GLOBE	GL5615	155° WHITE COVERPLATE	4	4
OR DRY CONCEALED	BRASS	1 1/2"	127	5.8	1 1/2"	GLOBE	GL5637	155° WHITE COVERPLATE	1	1
OR DRY SIDEWALL	WHITE	1 1/2"	127	5.8	1 1/2"	GLOBE	GL5641	WHITE RECESSED	1	1
OR UPRIGHT	BRASS	1 1/2"	127	5.8	1 1/2"	GLOBE	GL5615	N/A	7	7
OR HOR. SIDEWALL	WHITE	1 1/2"	127	5.8	1 1/2"	GLOBE	GL5655	WHITE RECESSED	1	1

PHOENIX FIRE PROTECTION, INC.
P.O. BOX 2881
2863 LEE AVENUE
SANFORD, N.C. 27332
PHONE: (919) 774-3042 FAX: (919) 774-1492

DATE: 2-20-2013

SCALE: AS NOTED

DRAWN BY: MELVIN RANDALL STROTHER
CHK. BY: MRS. NICOLE LEVEL III, CERT. NO. 116649

SHEET NO. FP-1 OF 22